



US00D395501S

United States Patent [19]

Erskine et al.

[11] **Patent Number: Des. 395,501**

[45] **Date of Patent: **Jun. 23, 1998**

[54] **WINGED CATHETER**

[75] Inventors: **Timothy J. Erskine; Kenneth C. Musgrave; Glade H. Howell**, all of Sandy, Utah

[73] Assignee: **Becton Dickinson and Company**, Franklin Lakes, N.J.

[**] Term: **14 Years**

4,964,854 10/1990 Luther 604/166
 5,020,351 6/1991 Dizon 604/164
 5,215,528 6/1993 Purdy et al. 604/164
 5,246,426 9/1993 Lewis et al. 604/164 X
 5,433,703 7/1995 Utterberg et al. 604/263 X
 5,462,533 10/1995 Daugherty 604/164
 5,512,052 4/1996 Jesch 604/164 X

Primary Examiner—Louis S. Zarfes
Assistant Examiner—I. Simmons
Attorney, Agent, or Firm—Eric M. Lee, Esq.

[21] Appl. No.: **47,552**

[22] Filed: **Dec. 7, 1995**

[57] CLAIM

The ornamental design for a winged catheter, as shown and described.

[51] **LOC (6) Cl.** **24-02**

[52] **U.S. Cl.** **D24/112**

[58] **Field of Search** D24/112, 130, D24/146; 604/166, 167, 164, 162, 168, 192, 263, 198, 900, 158, 187

DESCRIPTION

FIG. 1 is a perspective view of a winged catheter showing our new design;
 FIG. 2 is a front end elevational view thereof;
 FIG. 3 is a rear end elevational view thereof;
 FIG. 4 is a top plan view thereof;
 FIG. 5 is a side elevational view thereof; and,
 FIG. 6 is a bottom plan view thereof.

[56] References Cited

U.S. PATENT DOCUMENTS

4,445,893 5/1984 Bodicky 604/165
 4,775,367 10/1988 Schmidt 604/192
 4,863,432 9/1989 Kualo 604/164 X

1 Claim, 2 Drawing Sheets

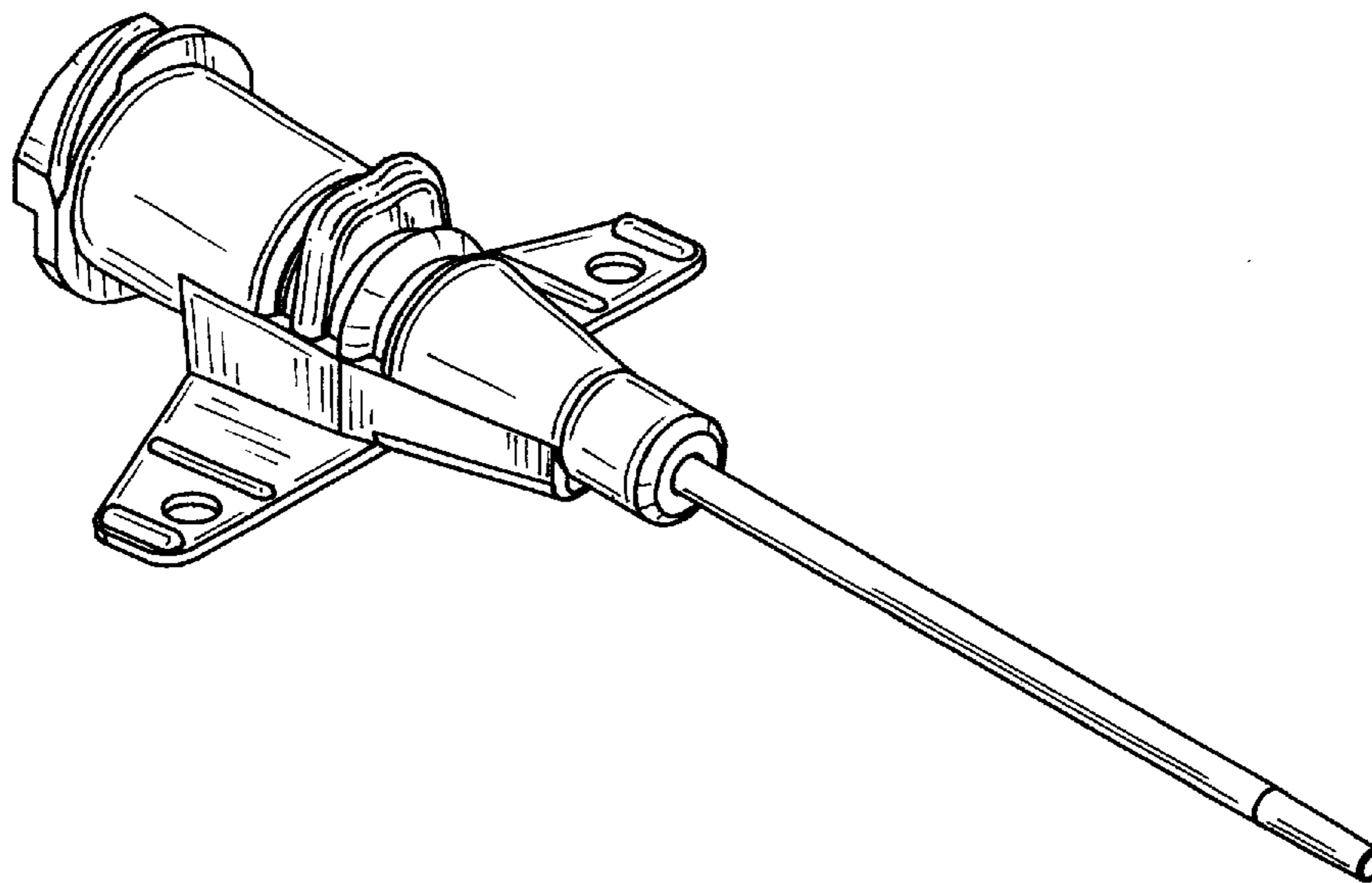


FIG-1

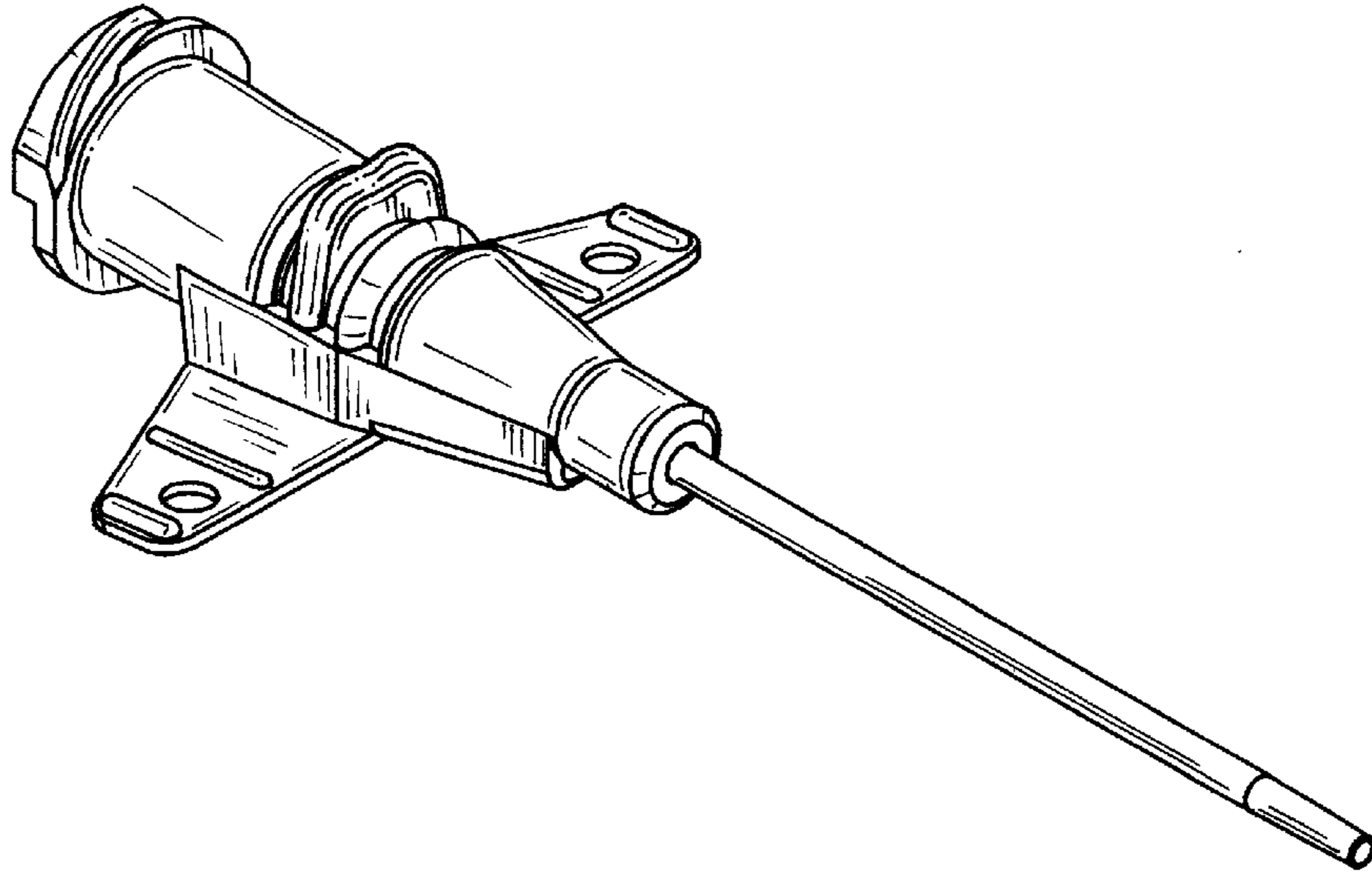


FIG-2

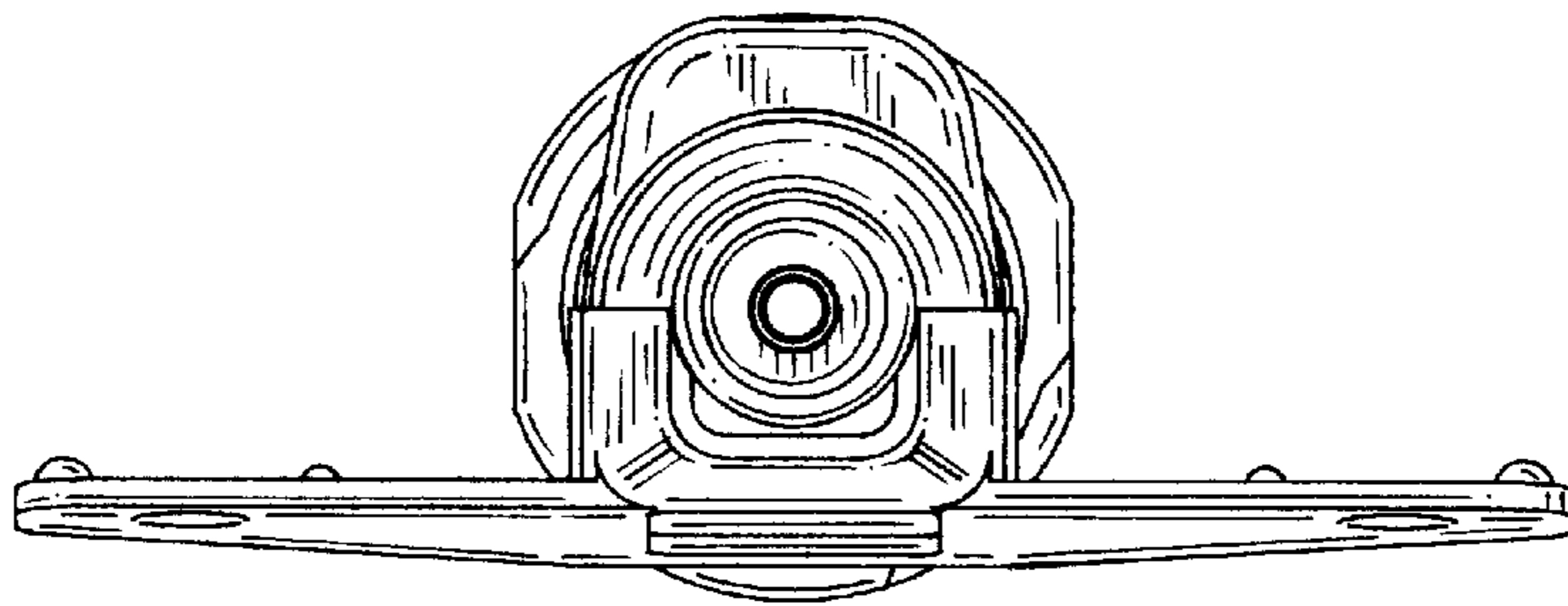


FIG-3

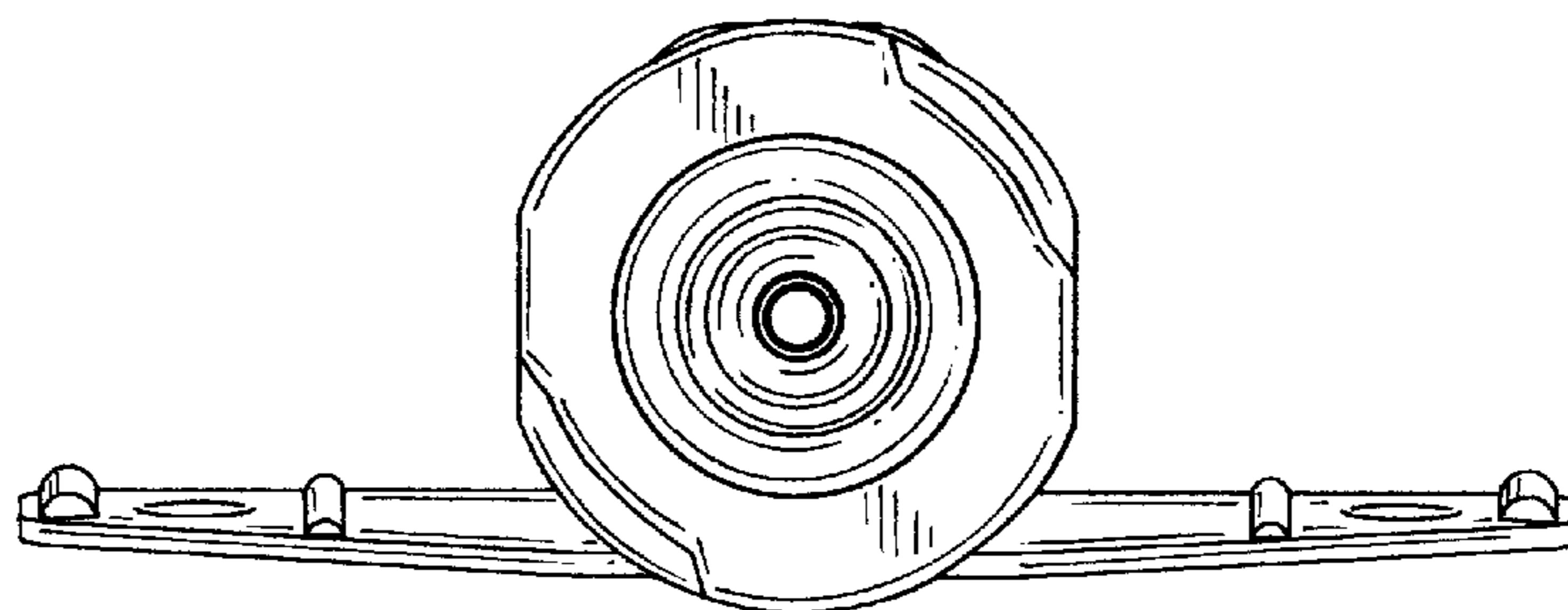


FIG-4

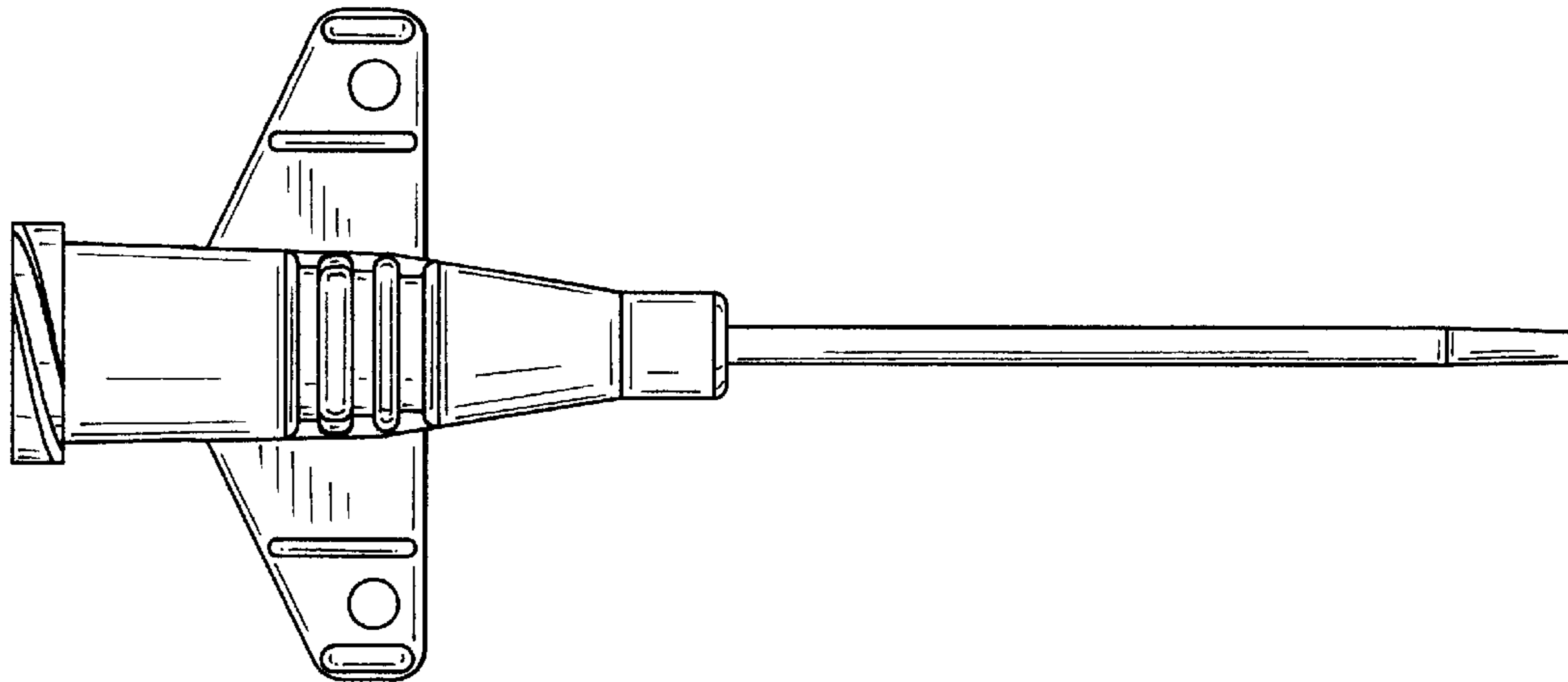


FIG-5

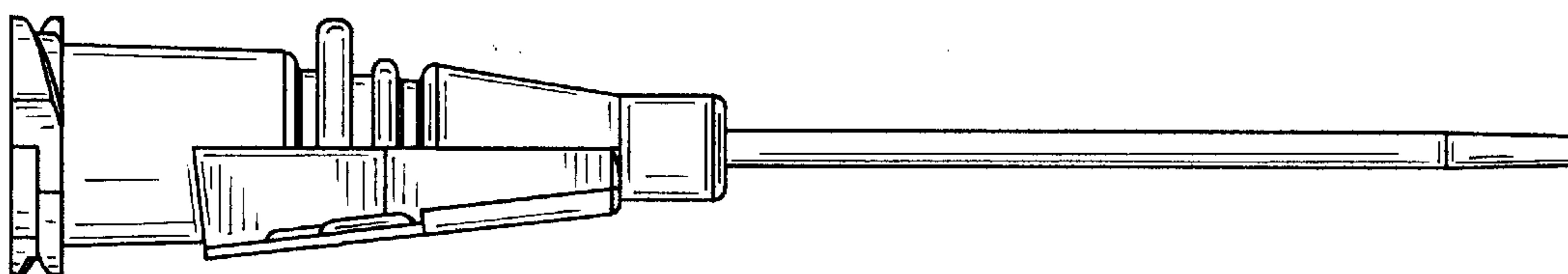


FIG-6

