



US00D395500S

United States Patent [19]

Ryder

[11] Patent Number: **Des. 395,500**

[45] Date of Patent: ****Jun. 23, 1998**

[54] **RESPIRATORY OXYGEN DILUTION VALVE**

[76] Inventor: **Steven L. Ryder**, 1334 W. Woodcrest Ave., Fullerton, Calif. 92633

[**] Term: **14 Years**

[21] Appl. No.: **49,825**

[22] Filed: **Feb. 1, 1996**

[51] **LOC (6) Cl.** **29-02**

[52] **U.S. Cl.** **D24/110.6**

[58] **Field of Search** D24/110, 129, D24/110.6; 128/205.11, 204.25, 203.12, 203.21, 203.25, 203.14, 203.27, 204.18, 205.14

[56] **References Cited**

U.S. PATENT DOCUMENTS

- 3,794,072 2/1974 Diedrich et al. .
- 3,850,171 11/1974 Ball et al. .
- 3,913,607 10/1975 Price .
- 3,977,432 8/1976 Vidal .

- 4,667,927 5/1987 Oscarsson D24/129 X
- 4,848,333 7/1989 Waite .
- 5,372,129 12/1994 Ryder .
- 5,425,358 6/1995 McGrail et al. 128/204.18 X
- 5,531,712 7/1996 Malcolm et al. 604/280 X

Primary Examiner—Stella Reid

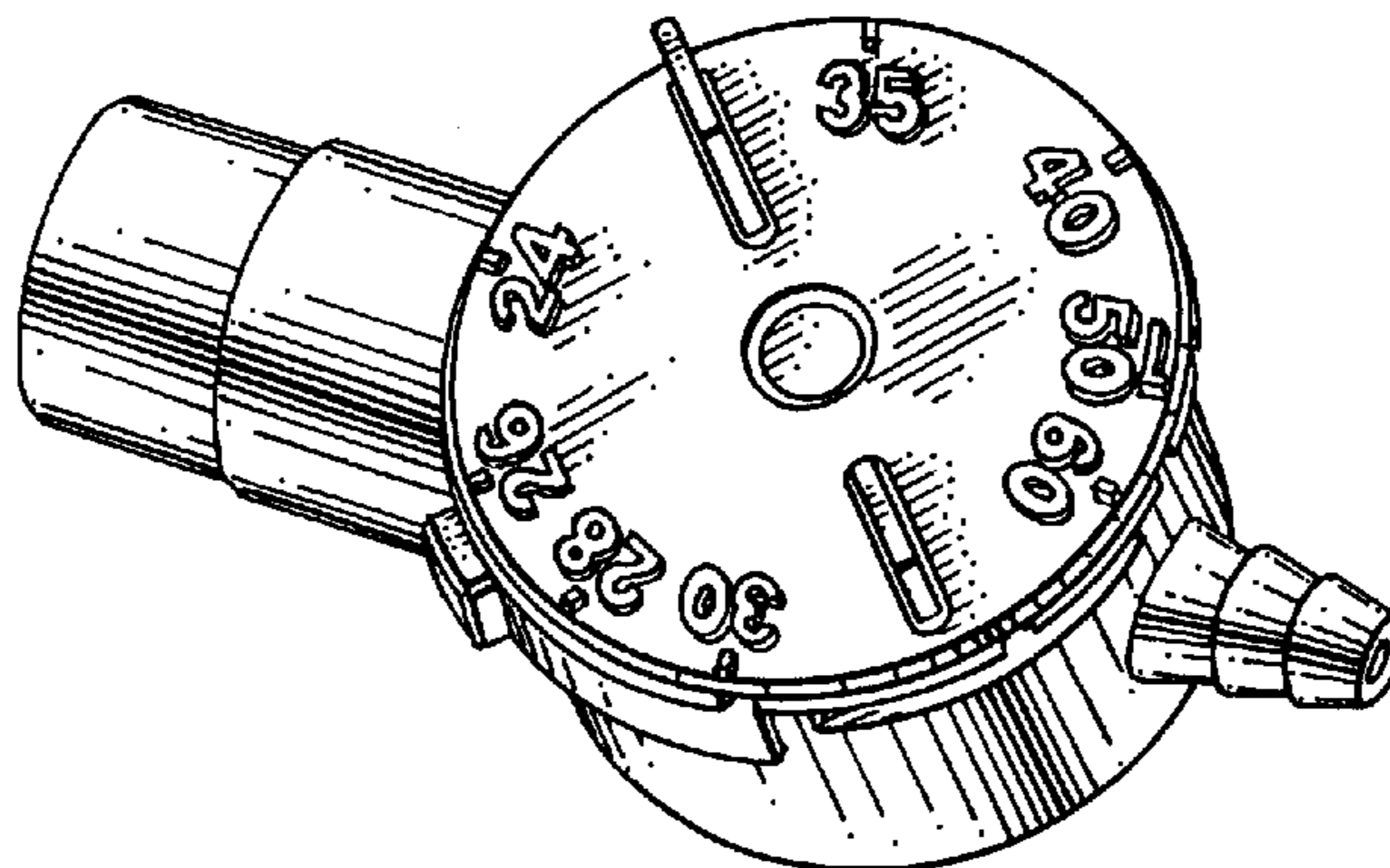
[57] **CLAIM**

The ornamental design for a respiratory oxygen dilution valve, as shown and described.

DESCRIPTION

FIG. 1 is a perspective view;
 FIG. 2 is a bottom plan view;
 FIG. 3 is a top plan view;
 FIG. 4 is a side elevational view;
 FIG. 5 is a side elevational view; opposite that shown in FIG. 4;
 FIG. 6 is an end elevational view; and,
 FIG. 7 is an end elevational view; opposite that shown in FIG. 6.

1 Claim, 1 Drawing Sheet



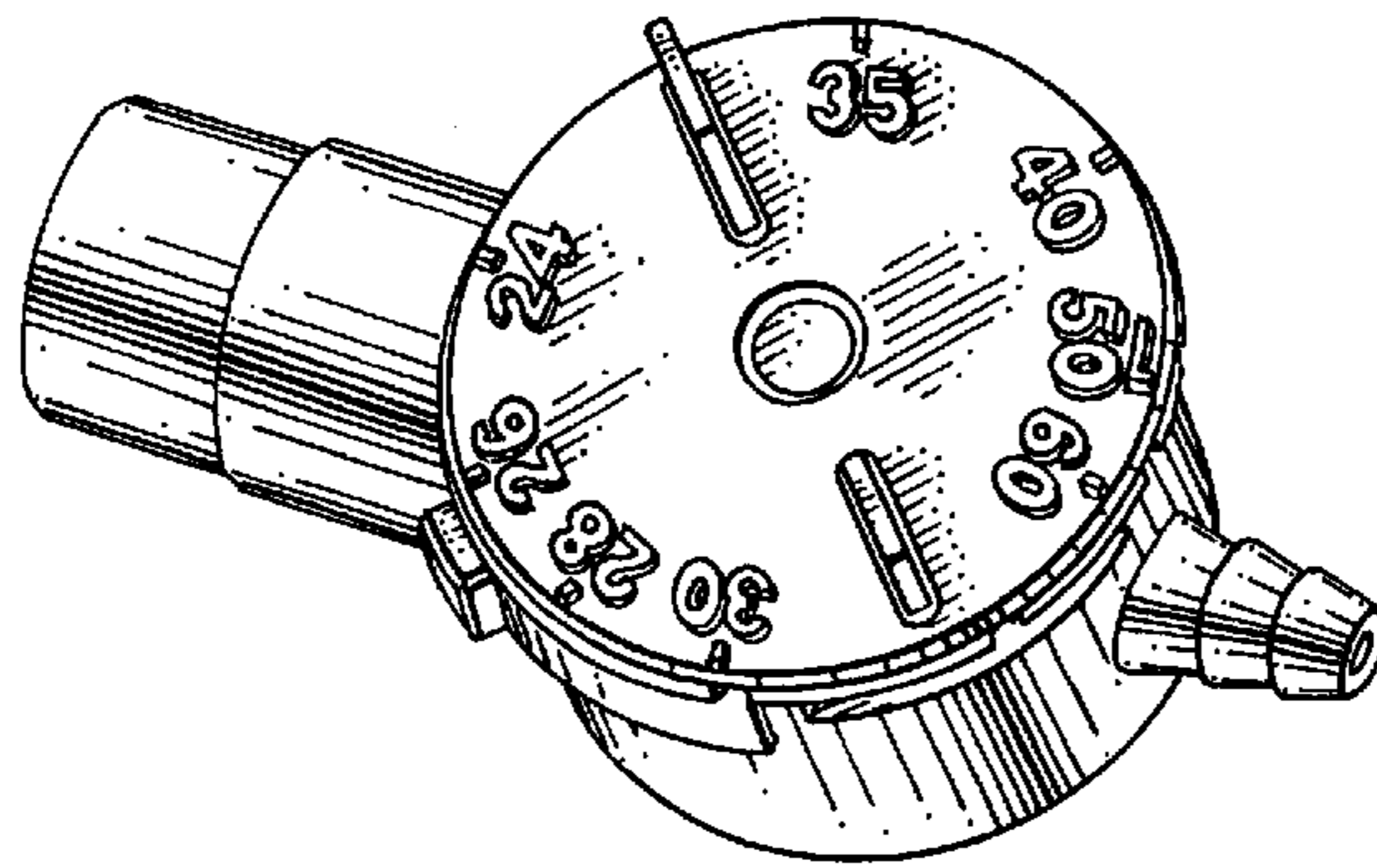


FIG. 1

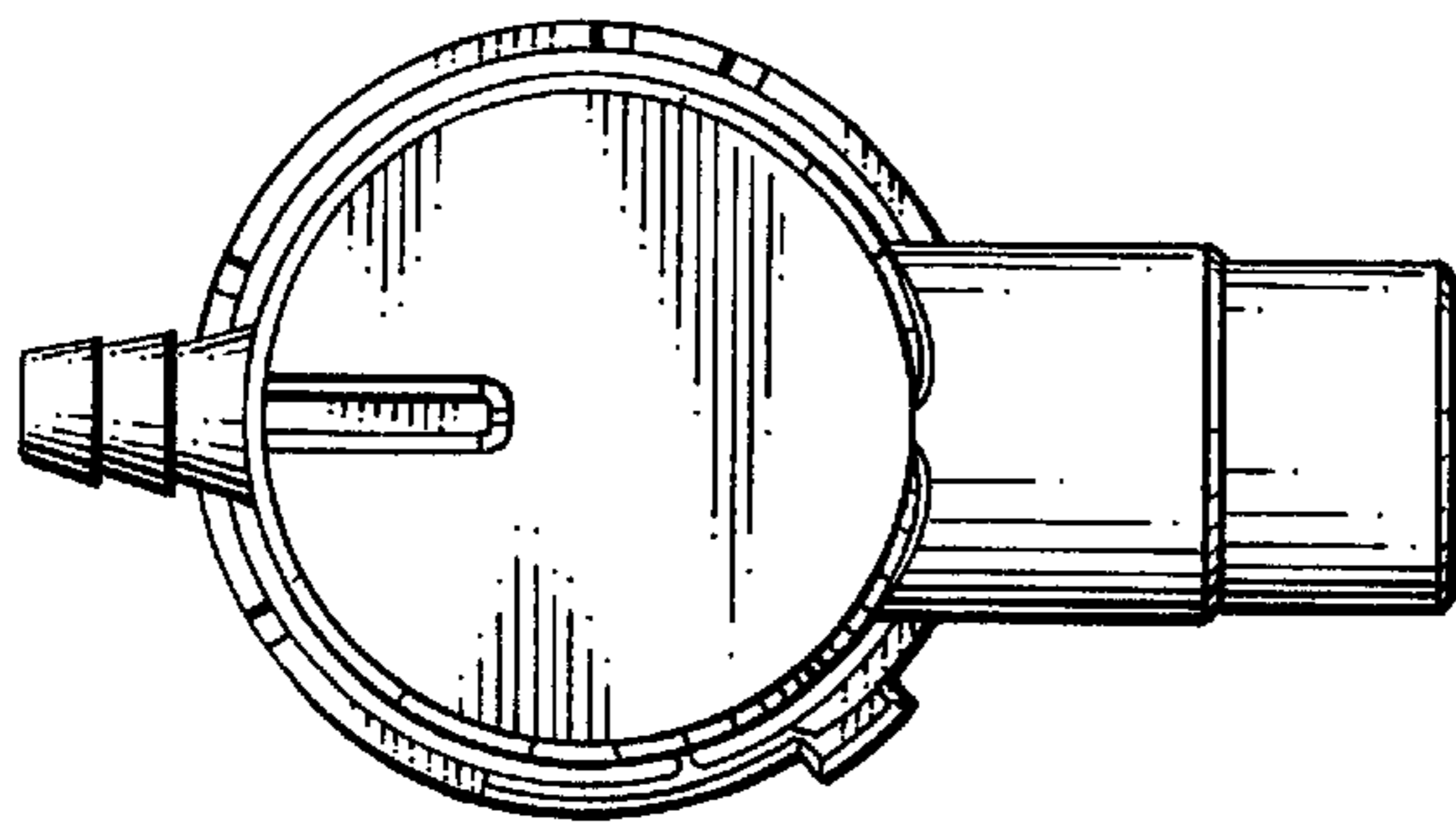


FIG. 2

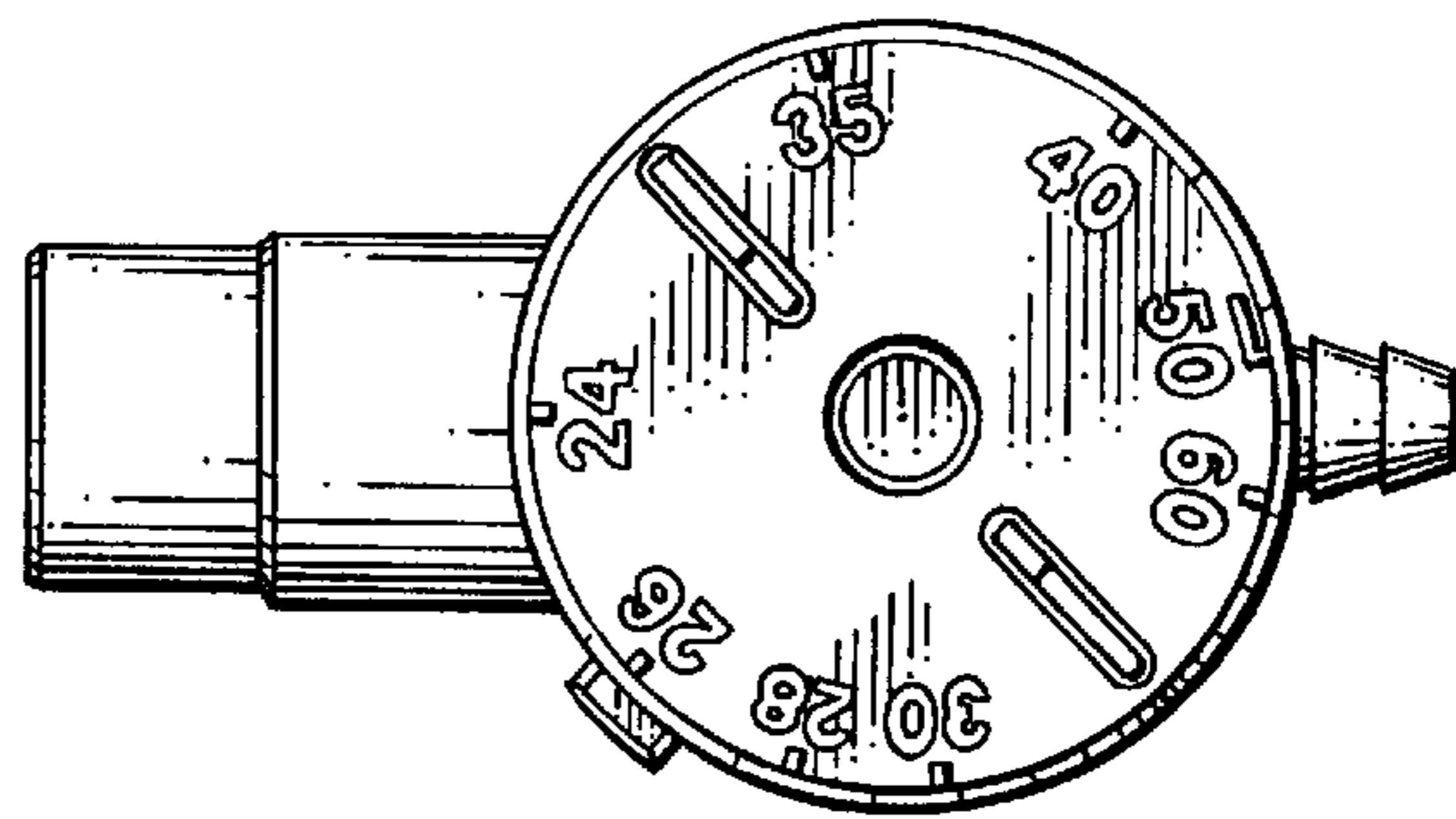


FIG. 3

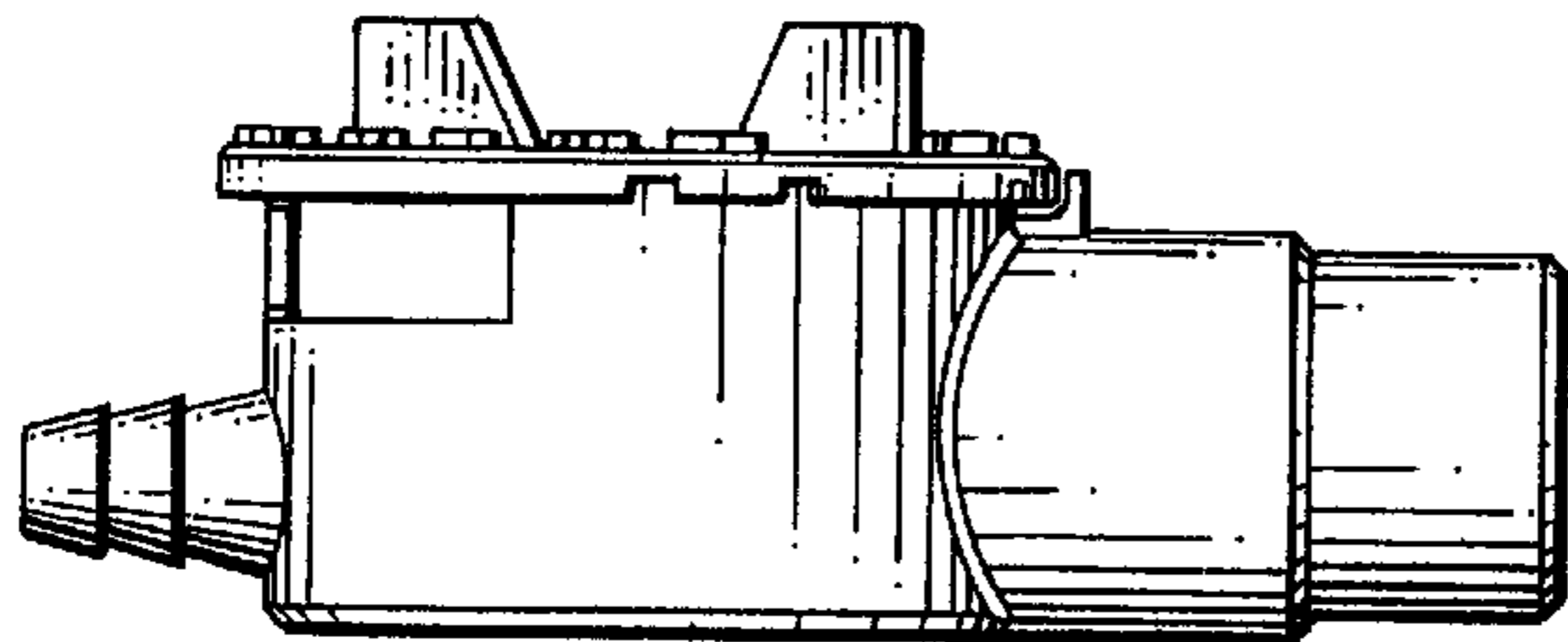


FIG. 4

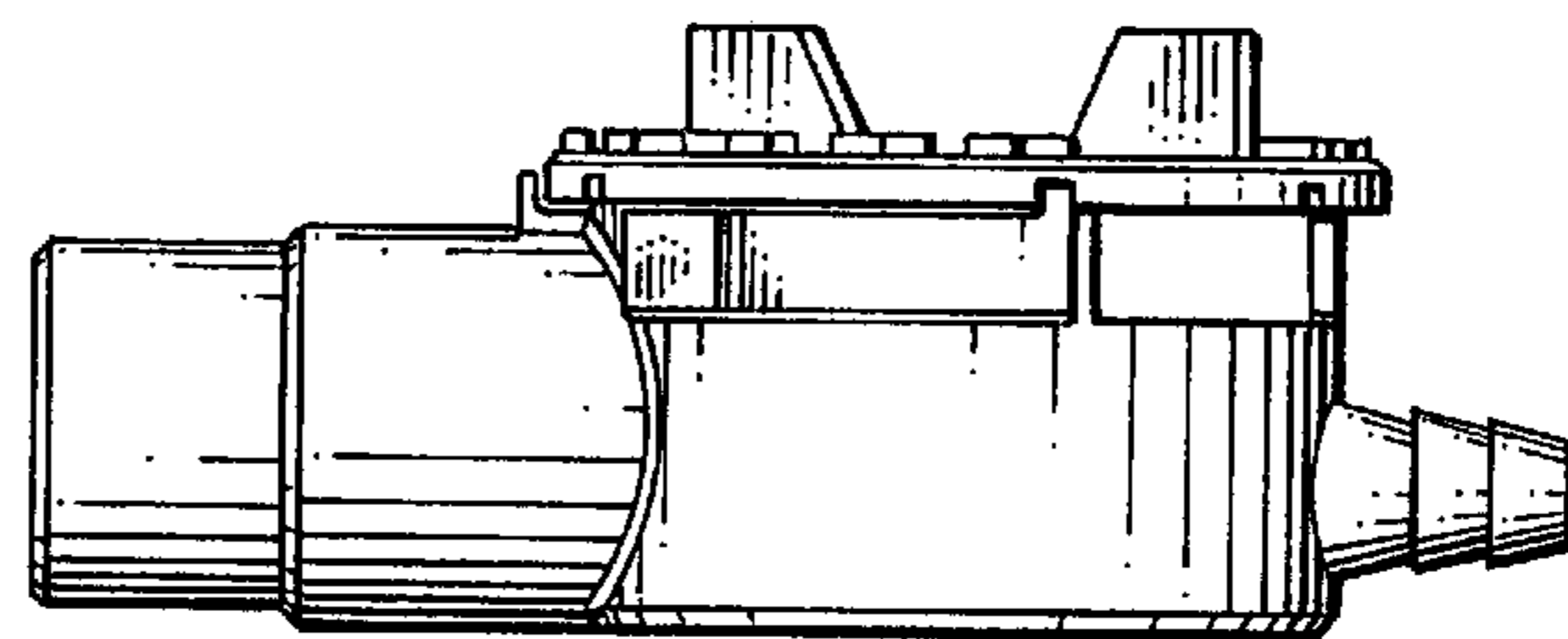


FIG. 5

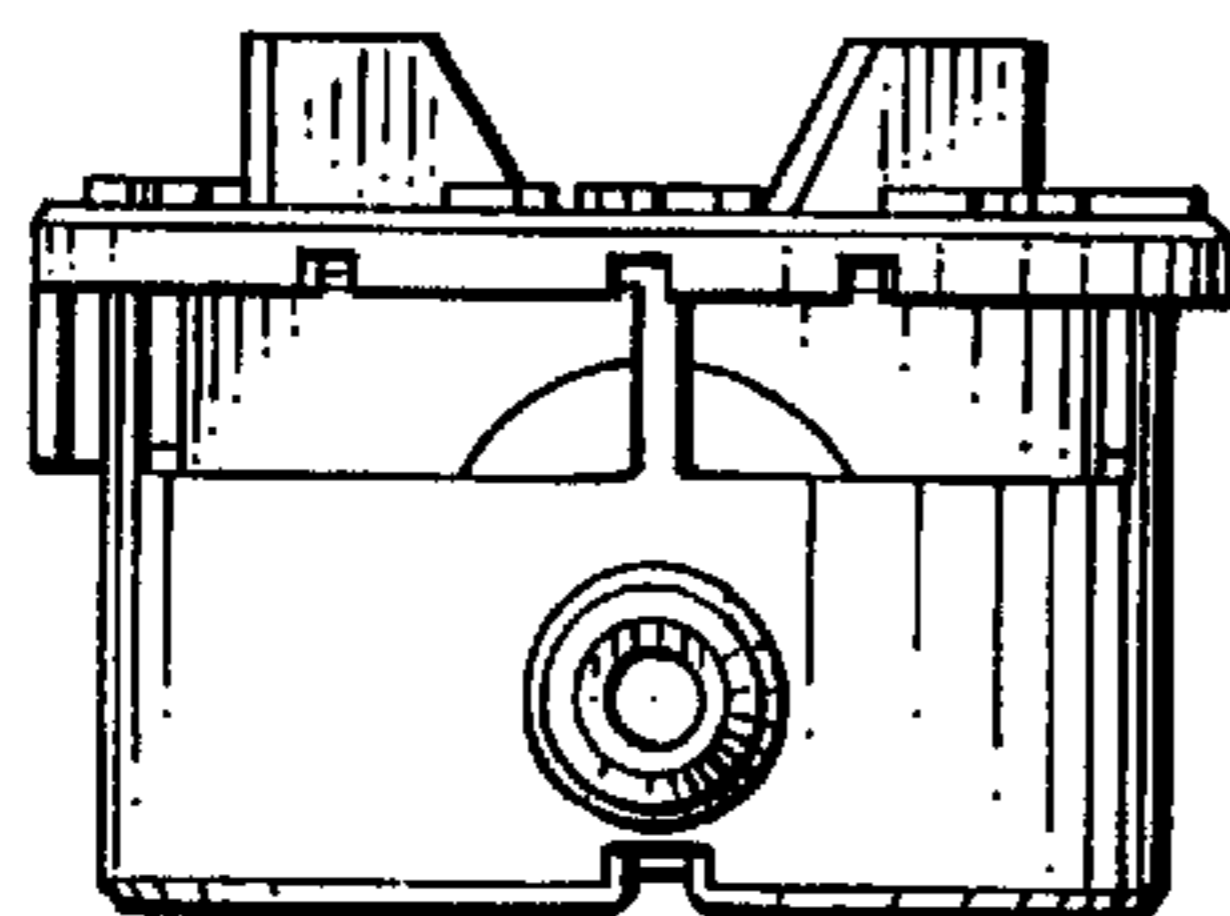


FIG. 6

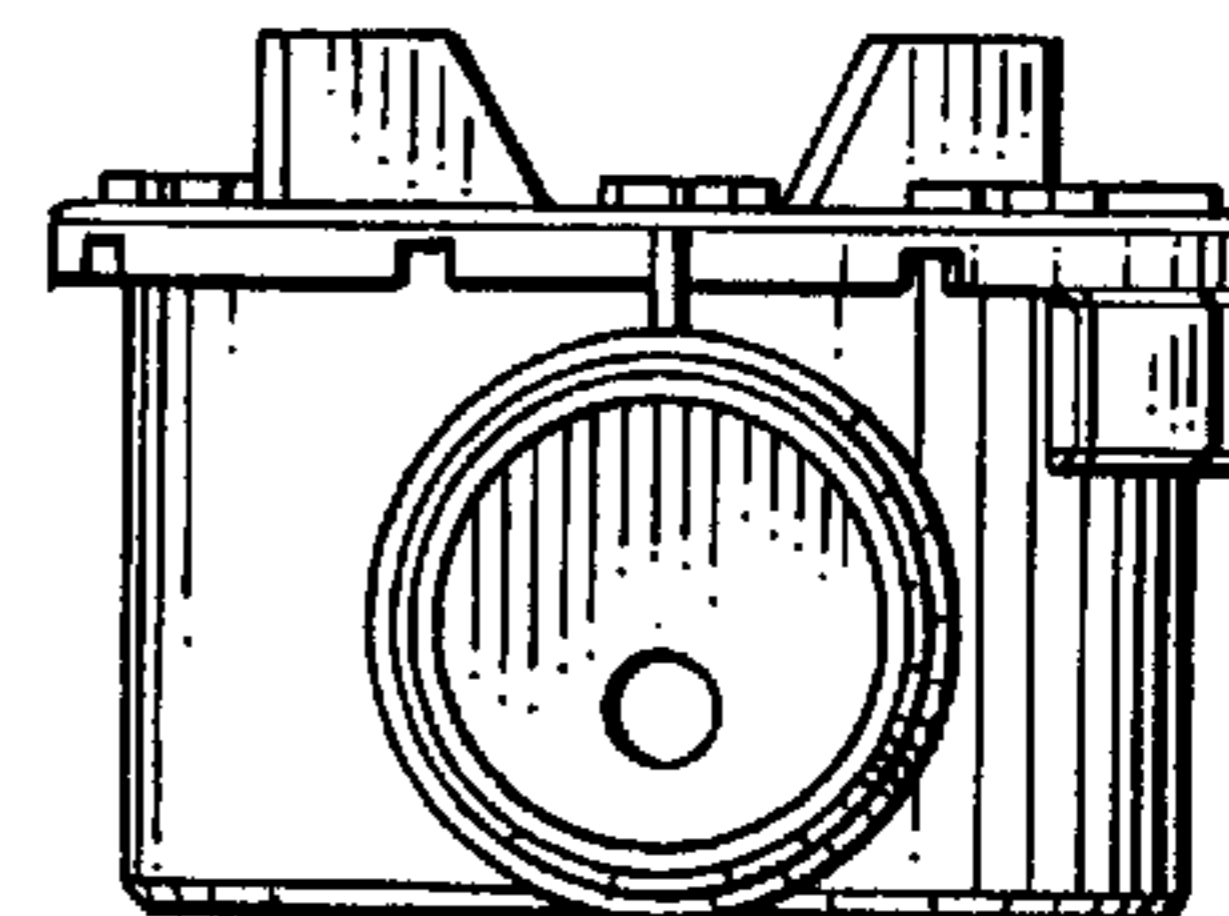


FIG. 7