



US00D395499S

**United States Patent** [19]

[11] **Patent Number: Des. 395,499**

**Eisele et al.**

[45] **Date of Patent: \*\*Jun. 23, 1998**

[54] **DRY POWDER INHALER**

FOREIGN PATENT DOCUMENTS

[75] Inventors: **Robert F. Eisele; Karen Davies**, both of San Diego; **Allan Cameron**, Santa Monica; **Greg Halus**, Woodland Hills, all of Calif.; **Nelson Holton**, Boulder, Colo.; **Tim Kline**, Boulder, Colo.; **Ian Smith**, Boulder, Colo.

0211595	2/1987	European Pat. Off. .
1479283	7/1977	United Kingdom .
2142246	1/1985	United Kingdom .
2242134	9/1991	United Kingdom .
9013327	11/1990	WIPO .
9106333	5/1991	WIPO .
9200771	1/1992	WIPO .
9408552	4/1994	WIPO .
9413348	6/1994	WIPO .
9511714	5/1995	WIPO .

[73] Assignee: **Dura Pharmaceuticals, Inc.**, San Diego, Calif.

*Primary Examiner*—Ruth McInroy  
*Attorney, Agent, or Firm*—Lyon & Lyon LLP

[\*\*] Term: **14 Years**

[57] **CLAIM**

[21] Appl. No.: **52,913**

The ornamental design for a dry powder inhaler, as shown and described.

[22] Filed: **Apr. 8, 1996**

**DESCRIPTION**

[51] **LOC (6) Cl.** ..... **24-04**

[52] **U.S. Cl.** ..... **D24/110**

[58] **Field of Search** ..... D24/110, 110.1–110.6;  
604/58; 128/203.15; 206/528, 533, 534.1;  
222/144, 145.1

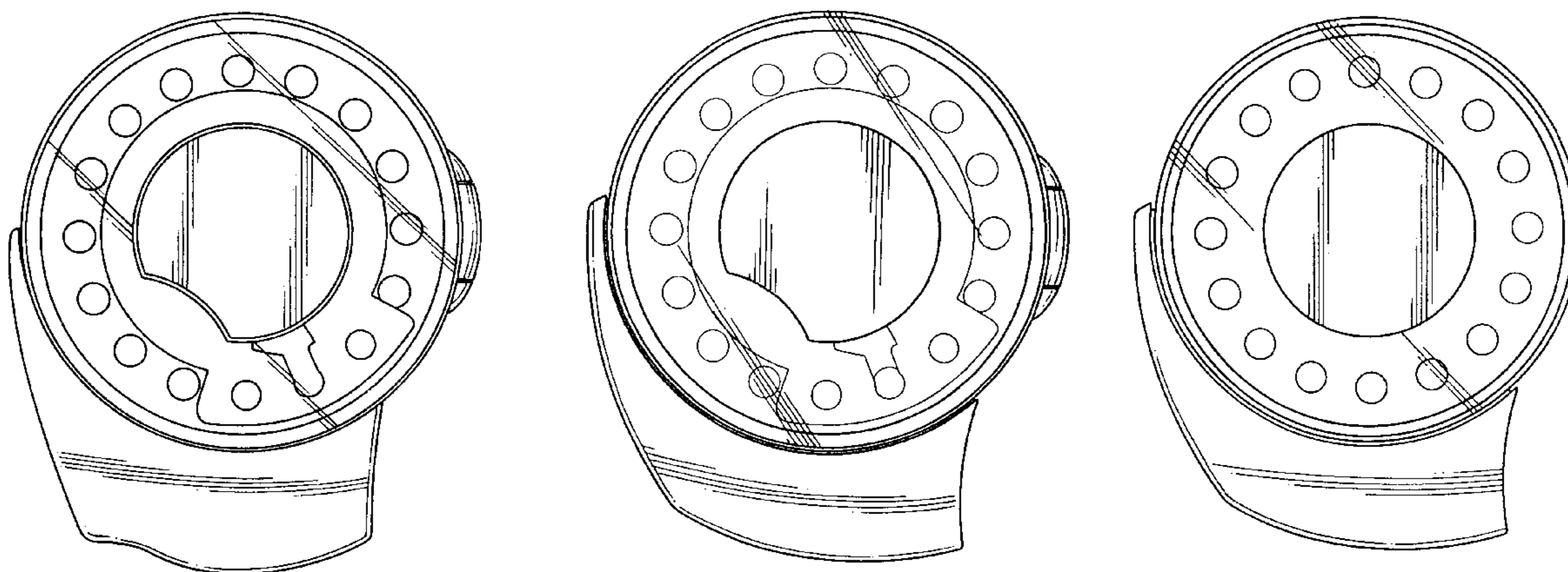
FIG. 1 is a perspective view of a first embodiment of a dry powder inhaler, with the cover in the open position; FIG. 2 is a perspective view thereof with the cover in the closed position; FIG. 3 is a plan view thereof; FIG. 4 is a bottom view thereof; FIG. 5 is a right side elevation view thereof; FIG. 6 is a left side elevation view thereof; FIG. 7 is a rear elevation view thereof; FIG. 8 is a front elevation view thereof; FIG. 9 is a perspective view of a second embodiment of a dry powder inhaler, with the cover in the open position; FIG. 10 is a perspective view thereof with the cover in the closed position; FIG. 11 is a plan view thereof; FIG. 12 is a right side elevation view thereof; FIG. 13 is a bottom view thereof; FIG. 14 is a left side elevation view thereof; FIG. 15 is a front elevation view thereof; FIG. 16 is a rear elevation view thereof; FIG. 17 is a plan view of a third embodiment of a dry powder inhaler; FIG. 18 is a right side elevation view thereof; FIG. 19 is a bottom view thereof; FIG. 20 is a left side elevation view thereof; FIG. 21 is a front elevation thereof; and, FIG. 22 is a rear elevation thereof.

[56] **References Cited**

**U.S. PATENT DOCUMENTS**

D. 282,209	1/1986	Newell et al. .	
D. 299,066	12/1988	Newell et al. .	
D. 302,111	7/1989	Newell et al. .	
D. 350,602	9/1994	Hobbs .....	D24/110
D. 358,880	5/1995	Mulhauser et al. ....	D24/110
3,807,400	4/1974	Cocozza .	
3,870,046	3/1975	Elliott .	
3,948,264	4/1976	Wilke et al. .	
4,307,734	12/1981	Blankenship .	
4,627,432	12/1986	Newell et al. .	
4,778,054	10/1988	Newell et al. .	
4,811,731	3/1989	Newell et al. .	
4,860,740	8/1989	Kirk et al. .	
4,971,221	11/1990	Urquhart et al. .	
5,035,237	7/1991	Newell et al. .	
5,165,391	11/1992	Chiesi et al. .	
5,201,308	4/1993	Newhouse .	
5,207,217	5/1993	Cocozza et al. .	
5,320,095	6/1994	Nijkerk et al. ....	128/203.15
5,327,883	7/1994	Williams et al. .	
5,533,502	7/1996	Piper .....	128/203.15

**1 Claim, 5 Drawing Sheets**



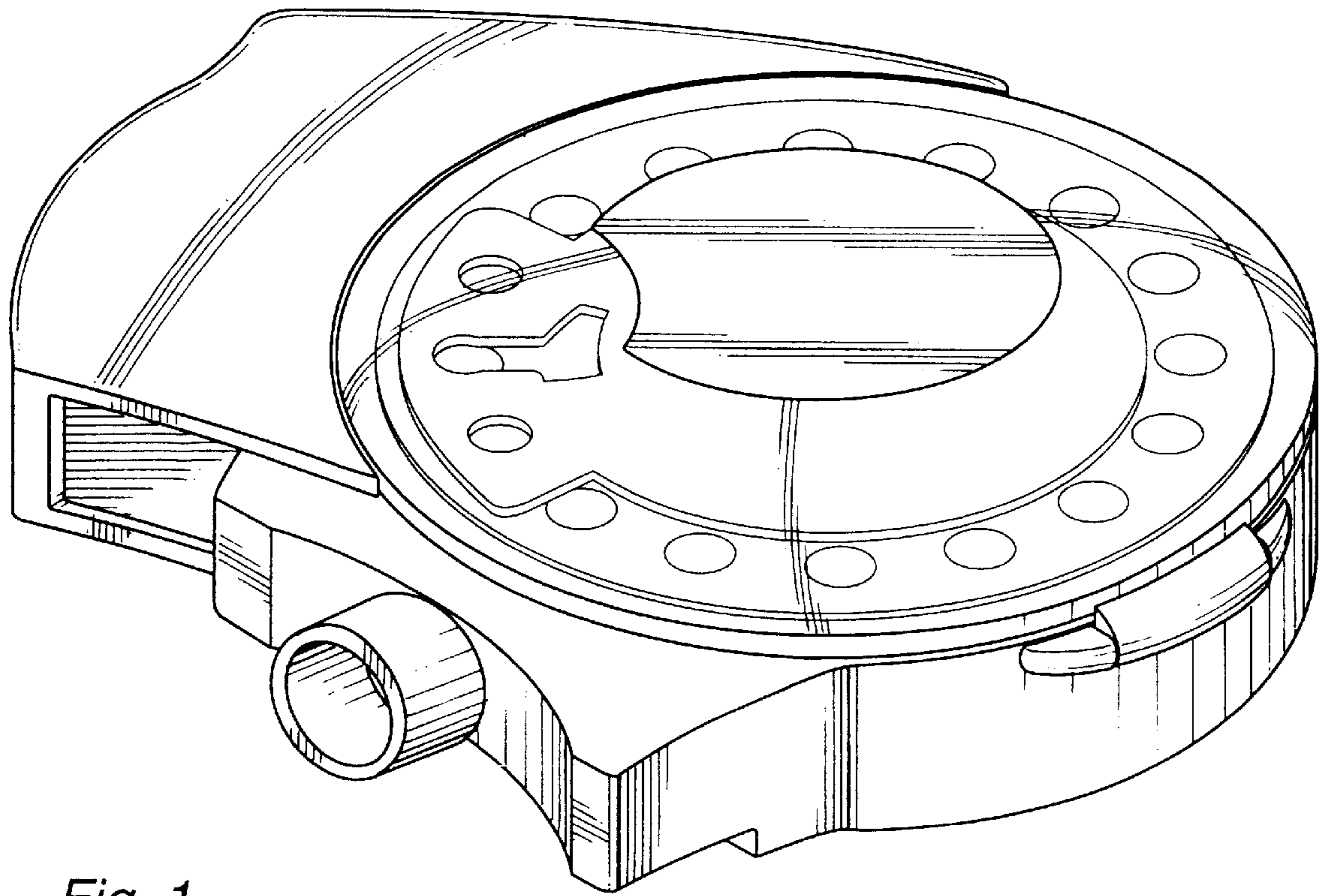


Fig. 1

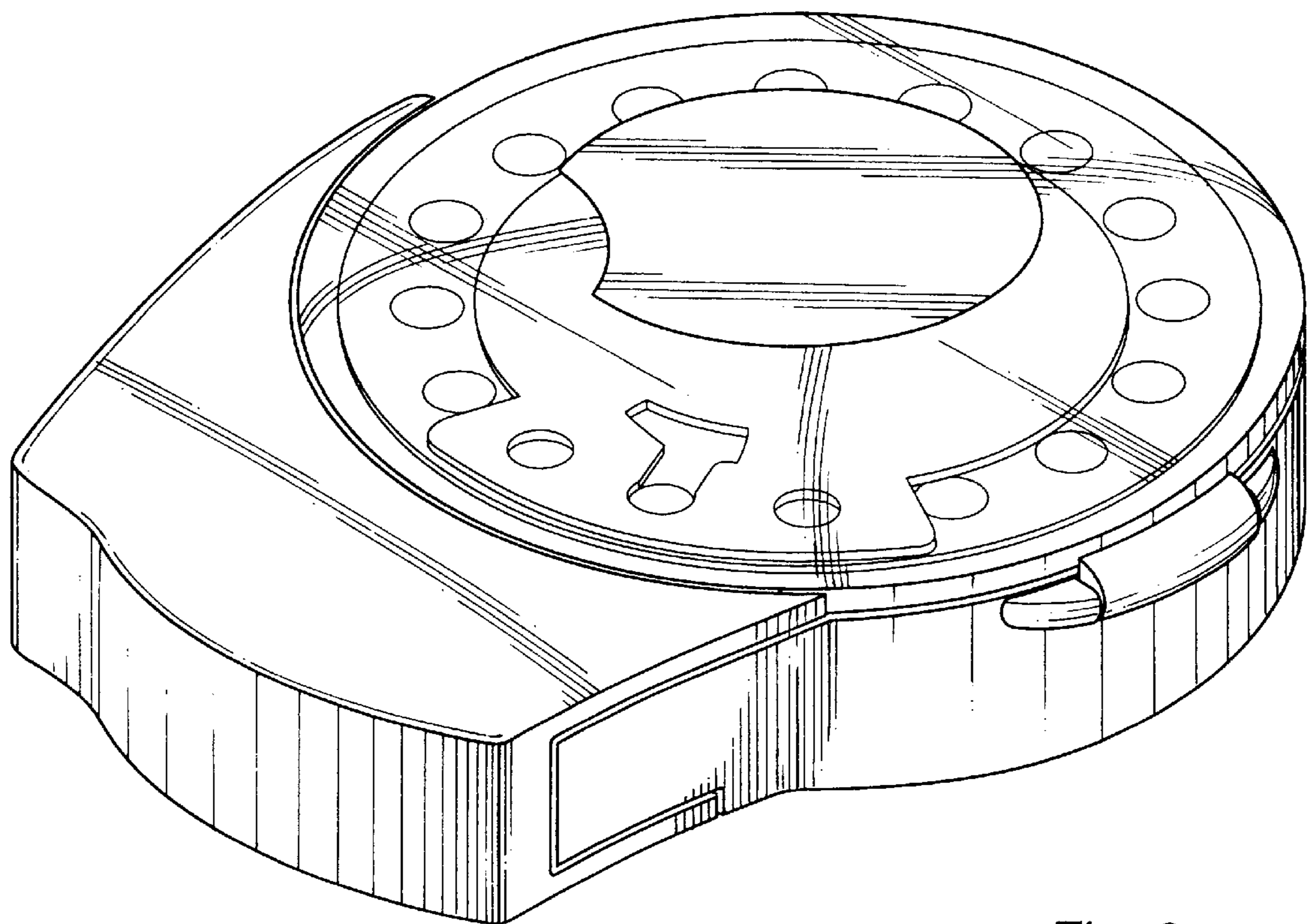


Fig. 2

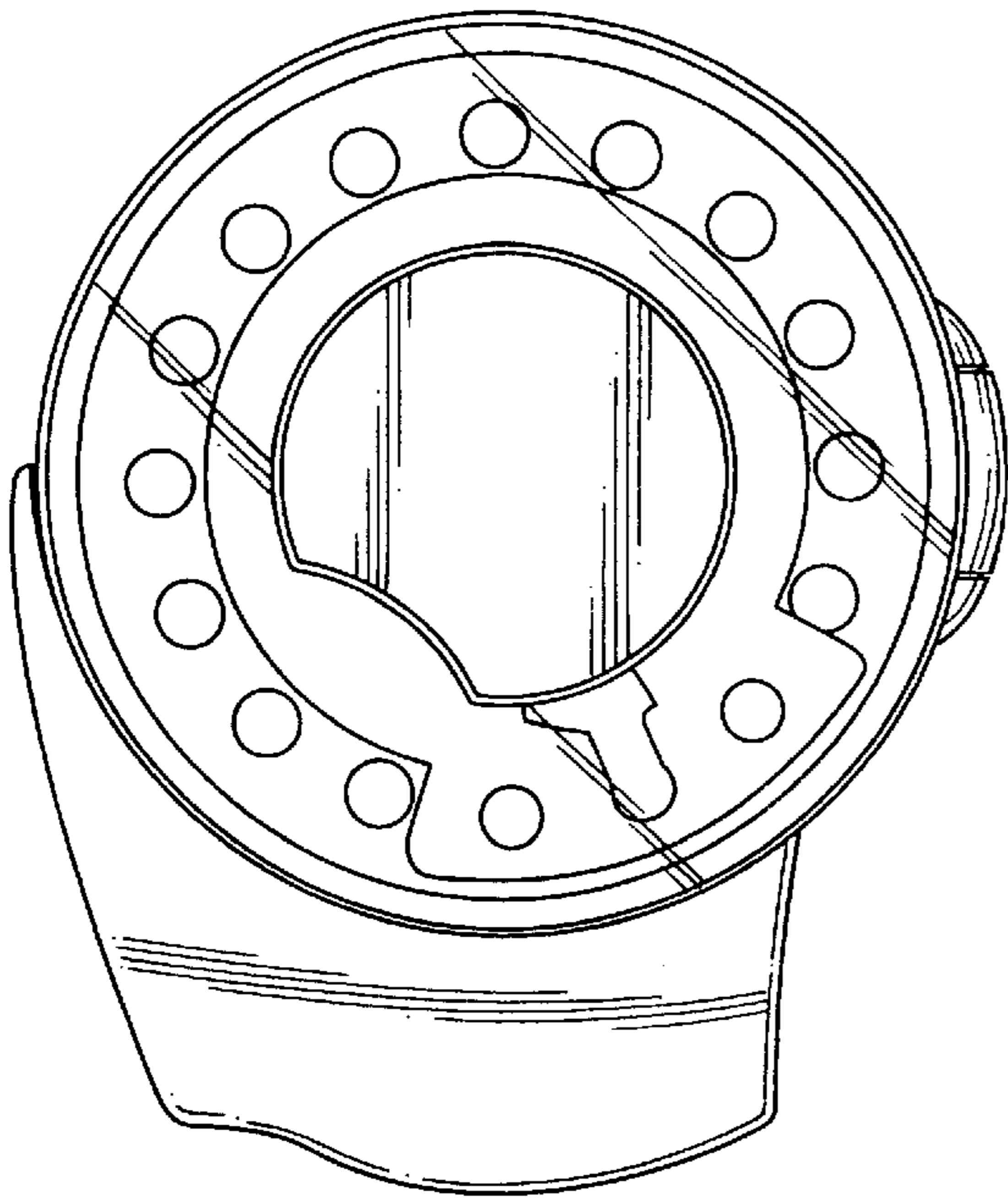


Fig. 3

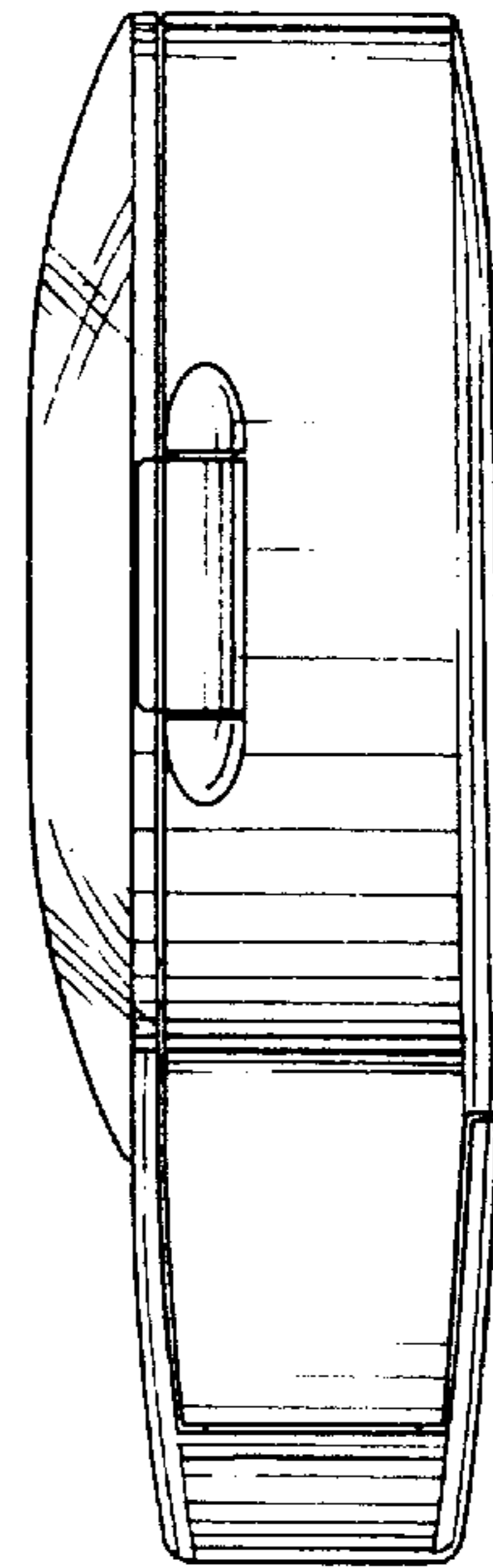


Fig. 5

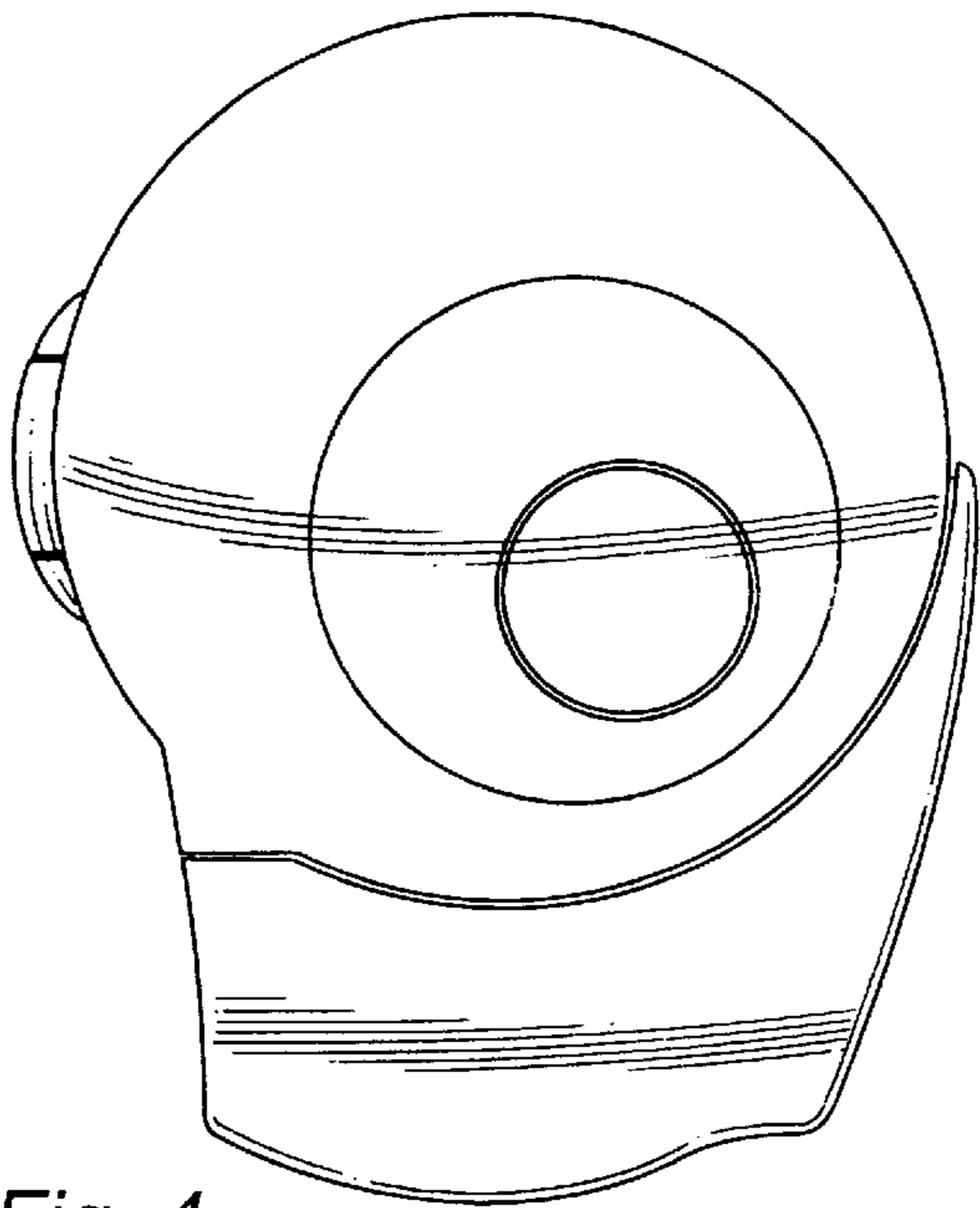


Fig. 4

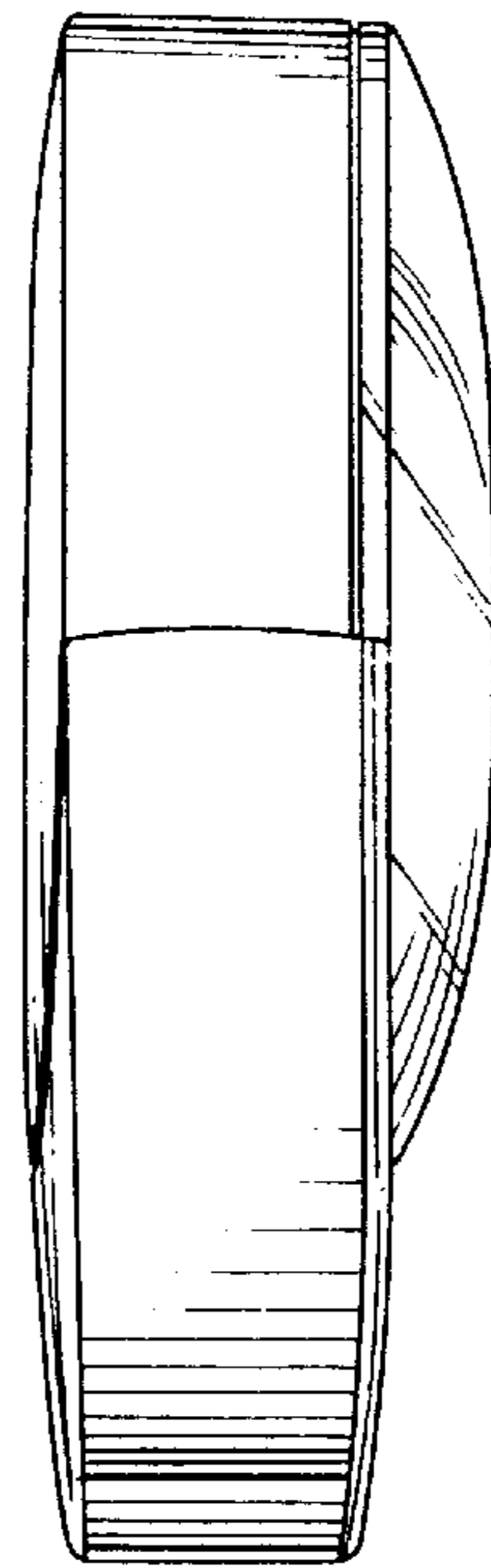


Fig. 6

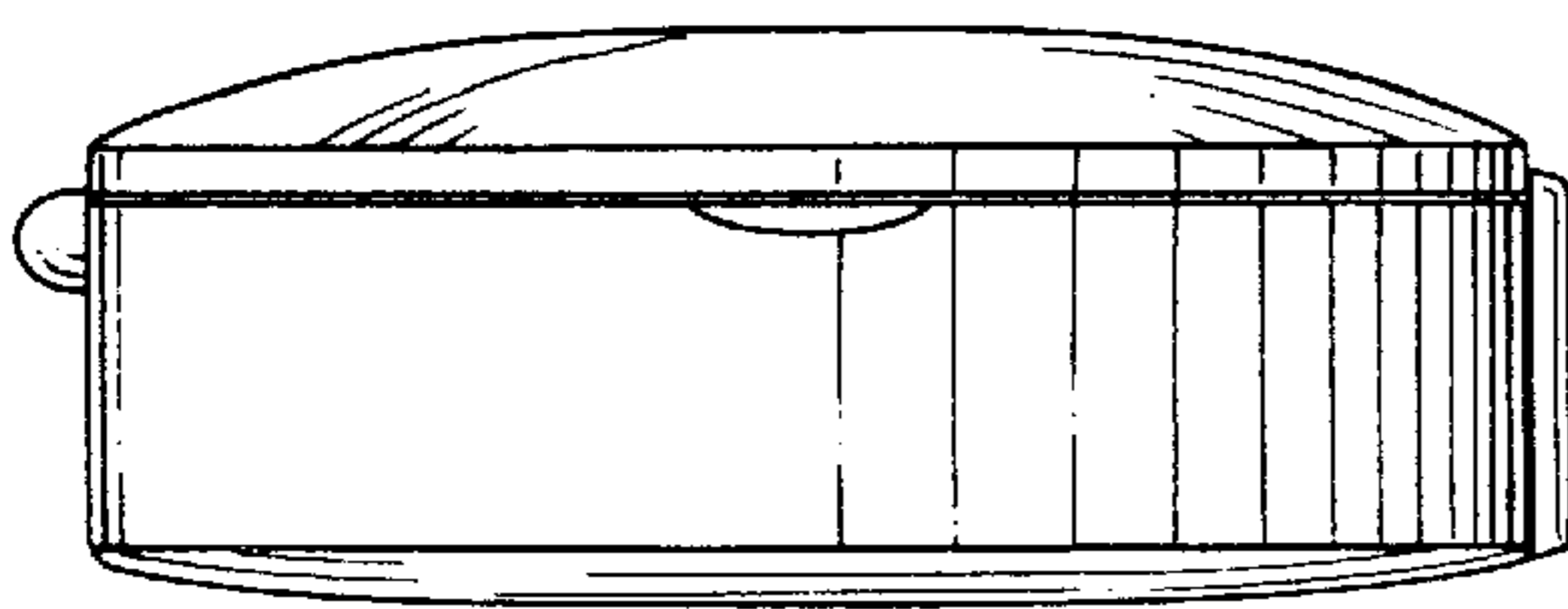


Fig. 7

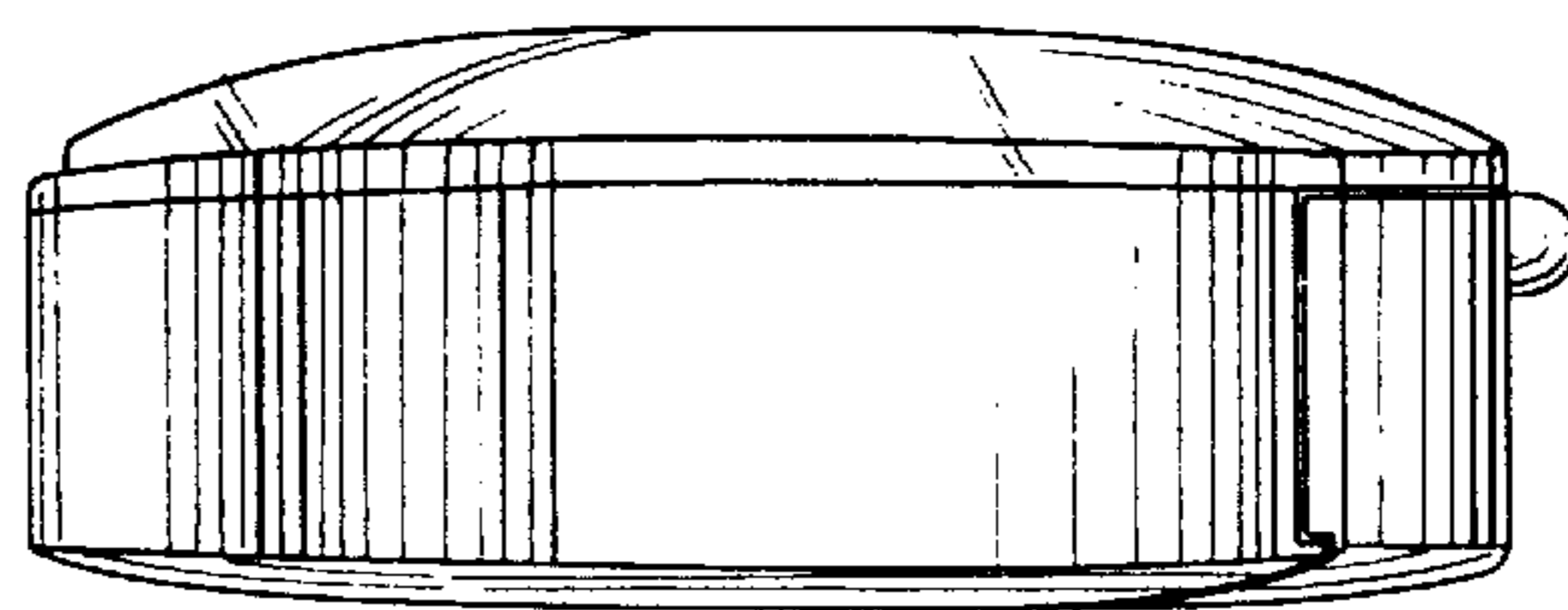


Fig. 8

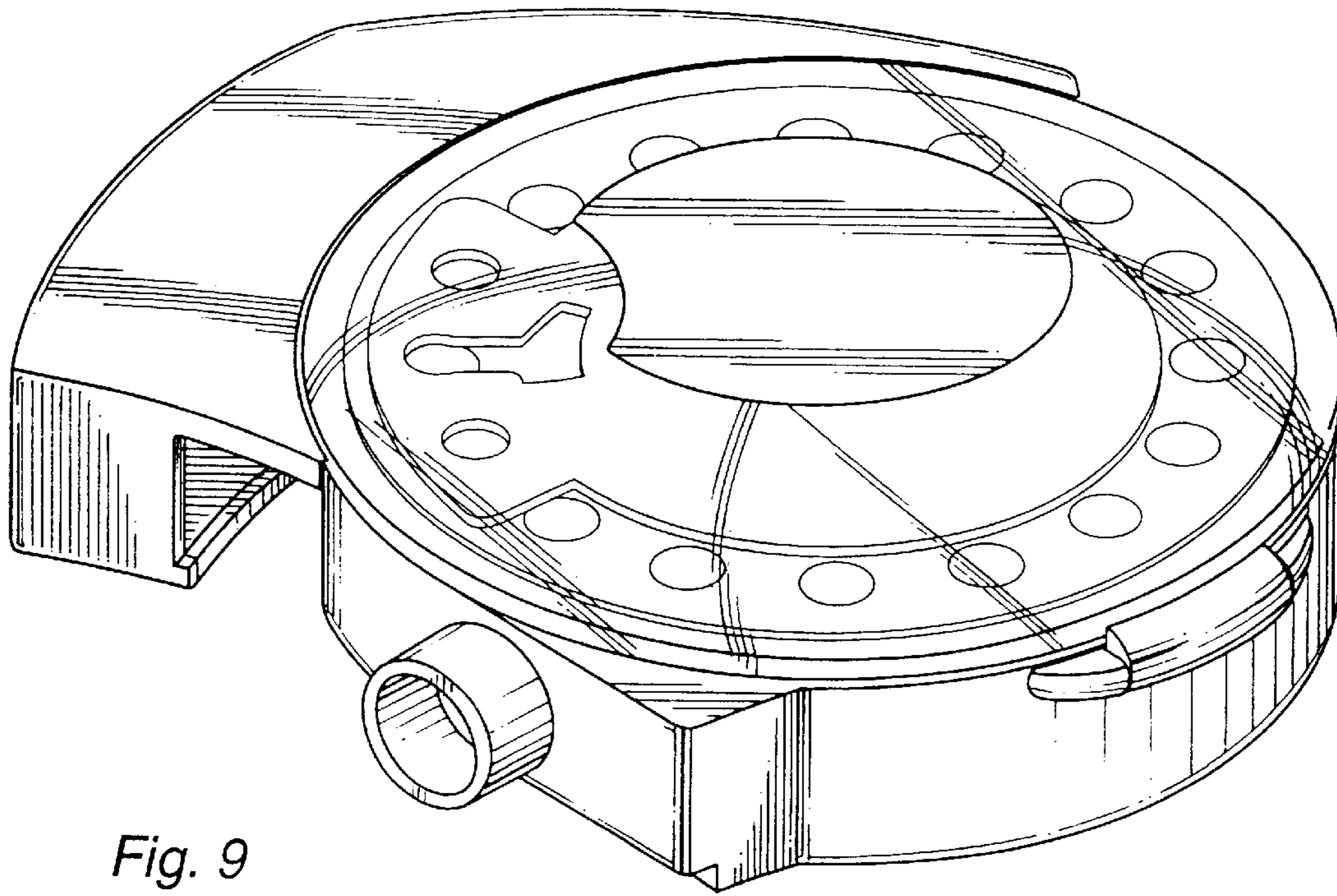


Fig. 9

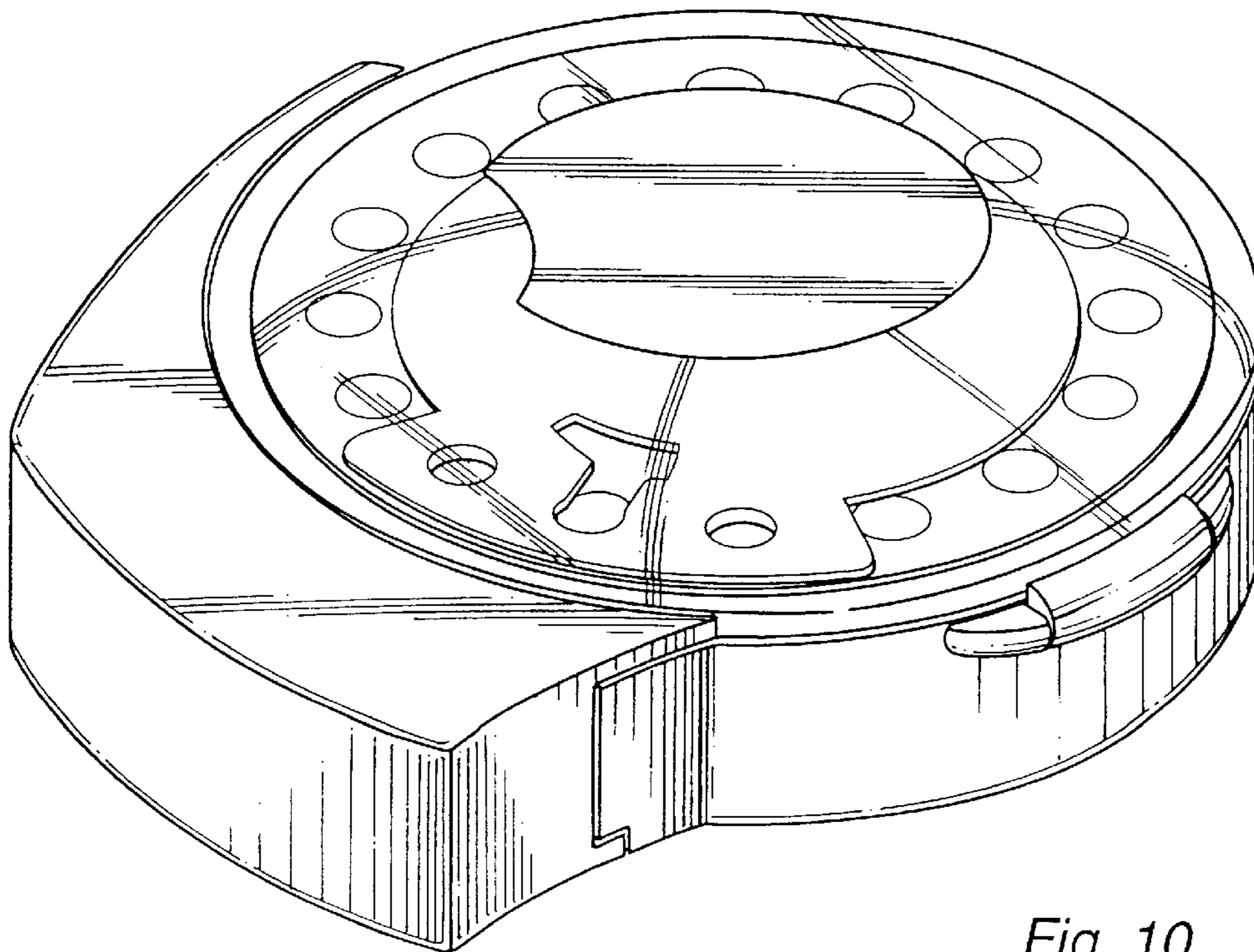


Fig. 10

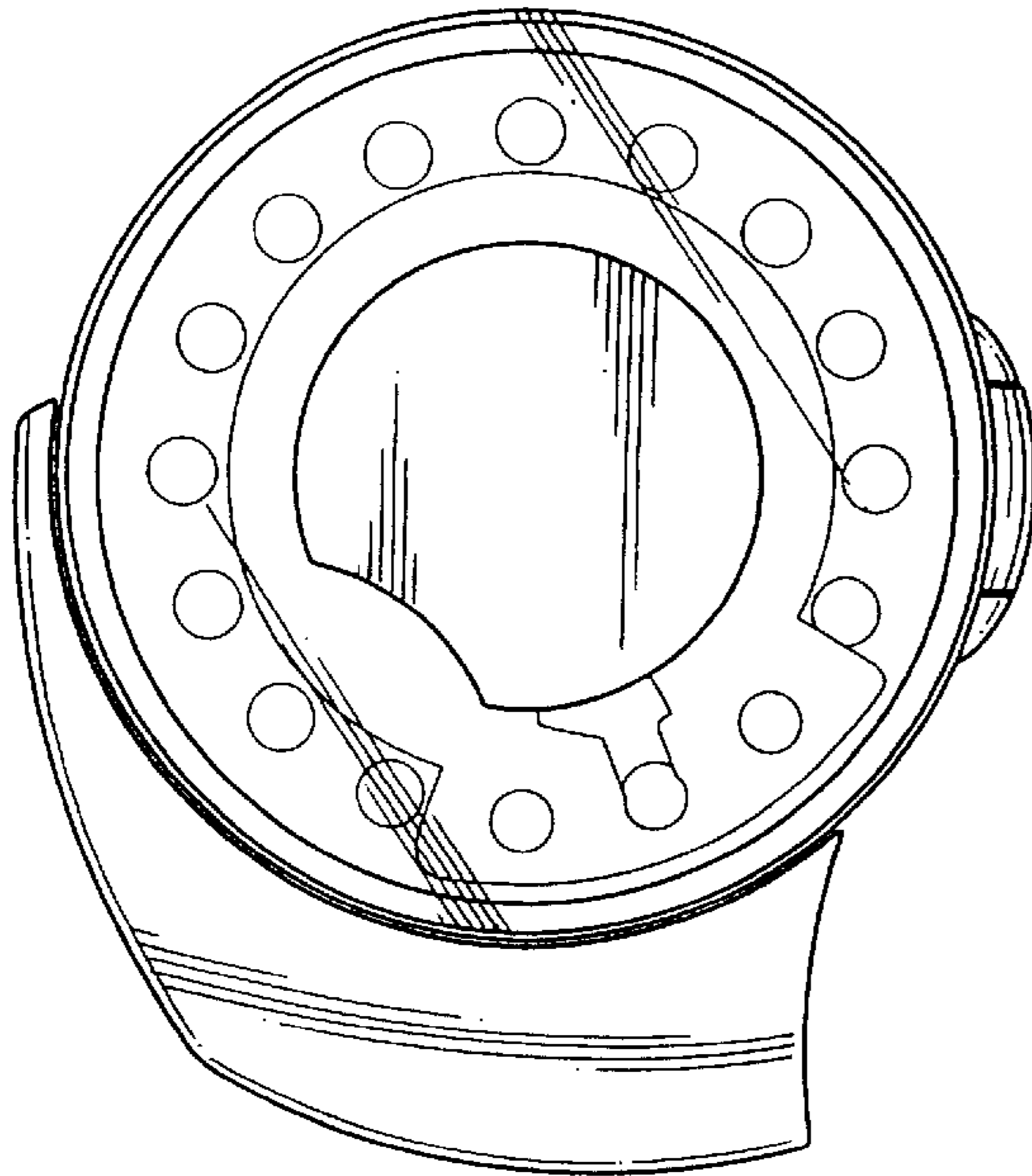


Fig. 11

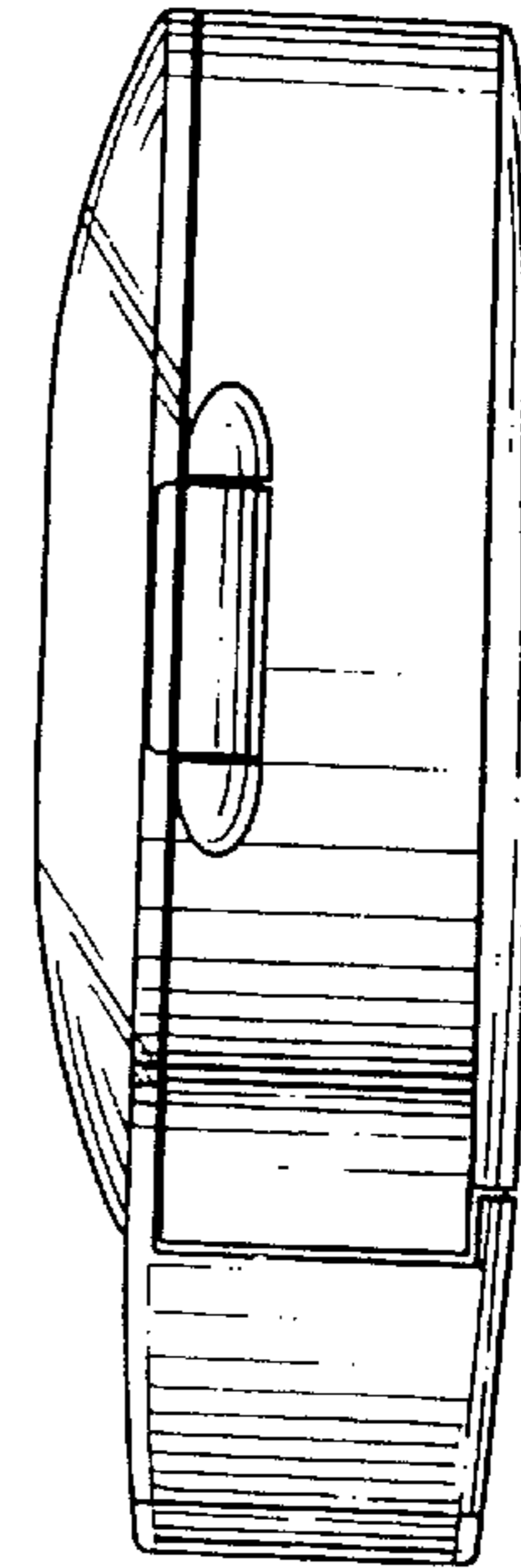


Fig. 12

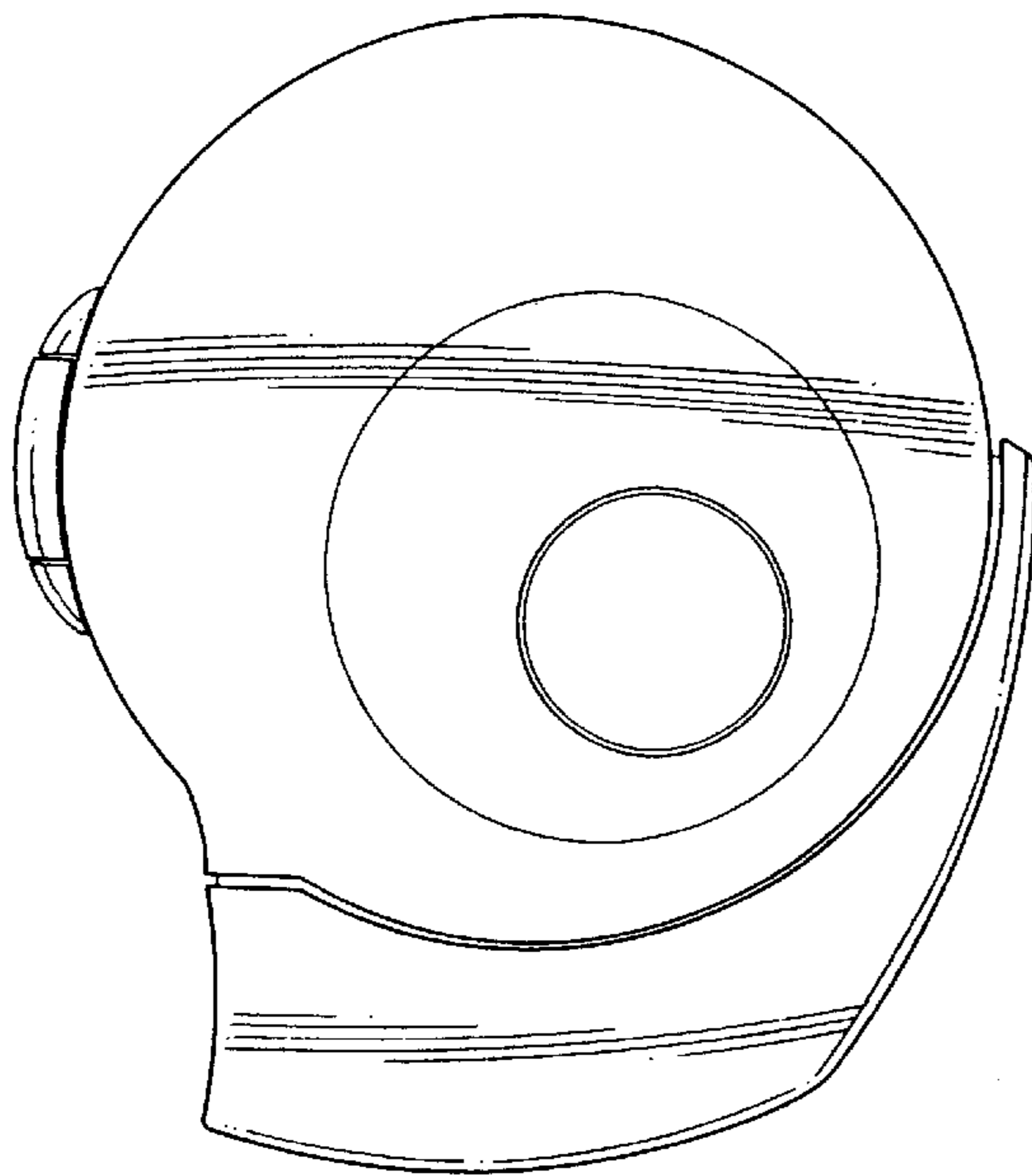


Fig. 13

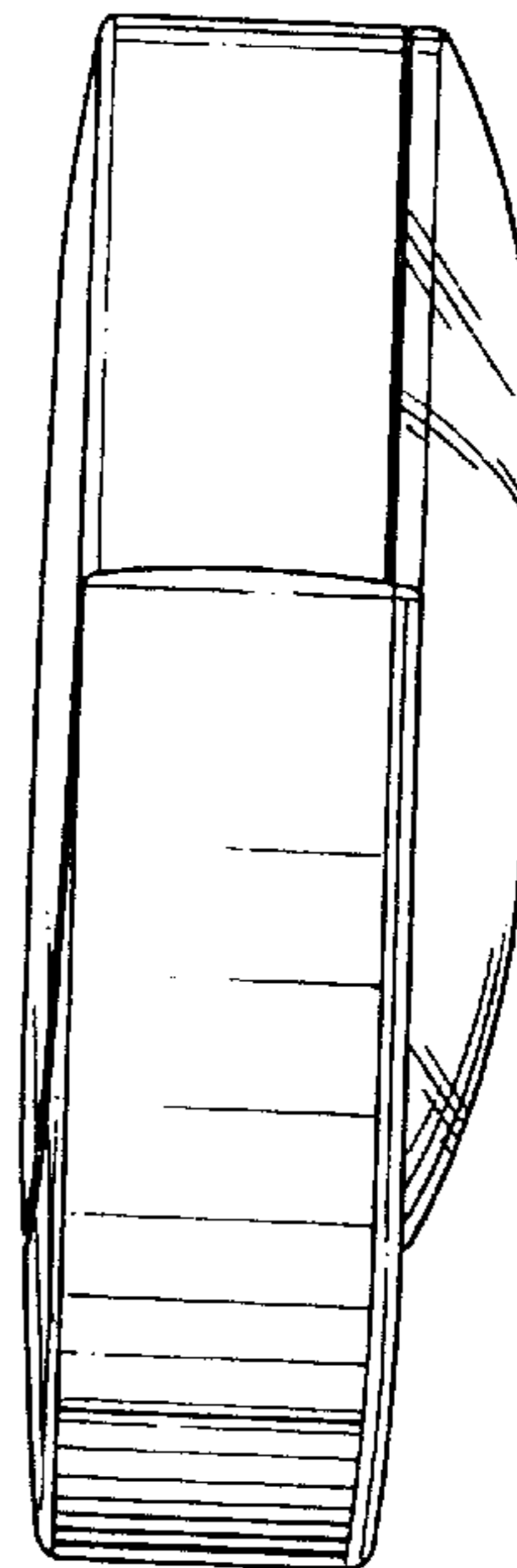


Fig. 14

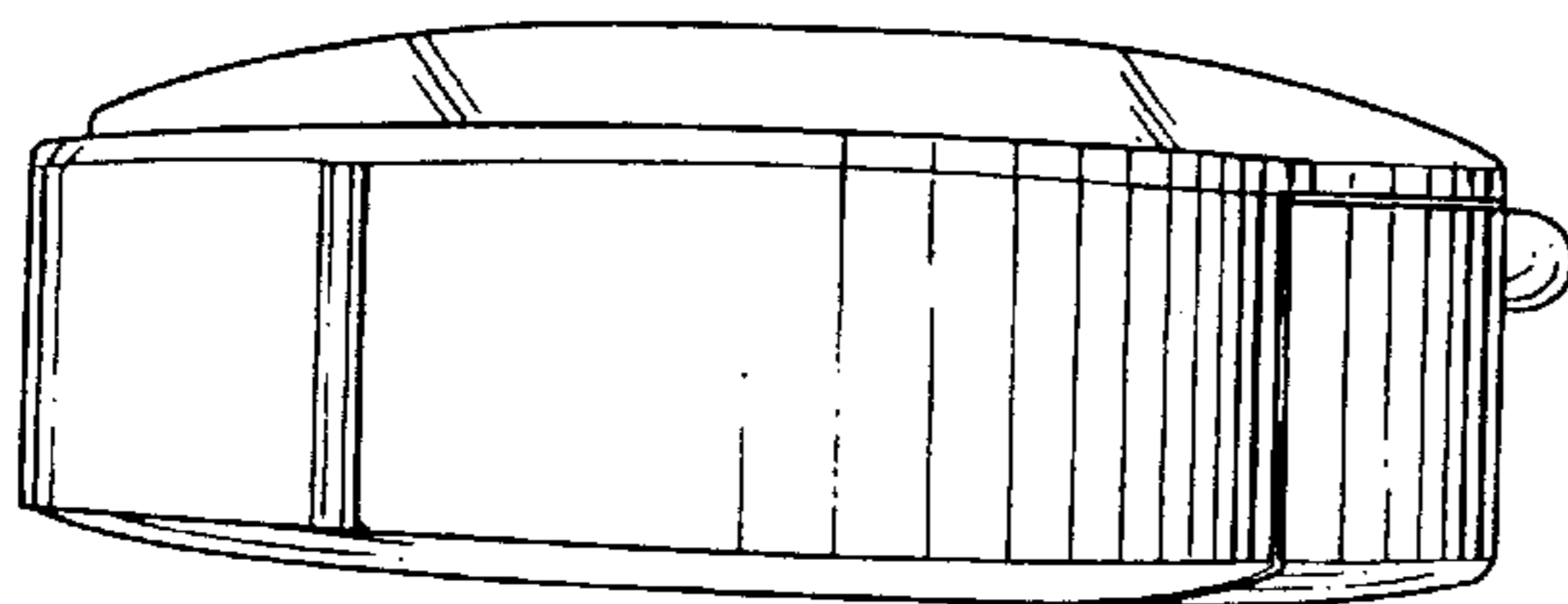


Fig. 15

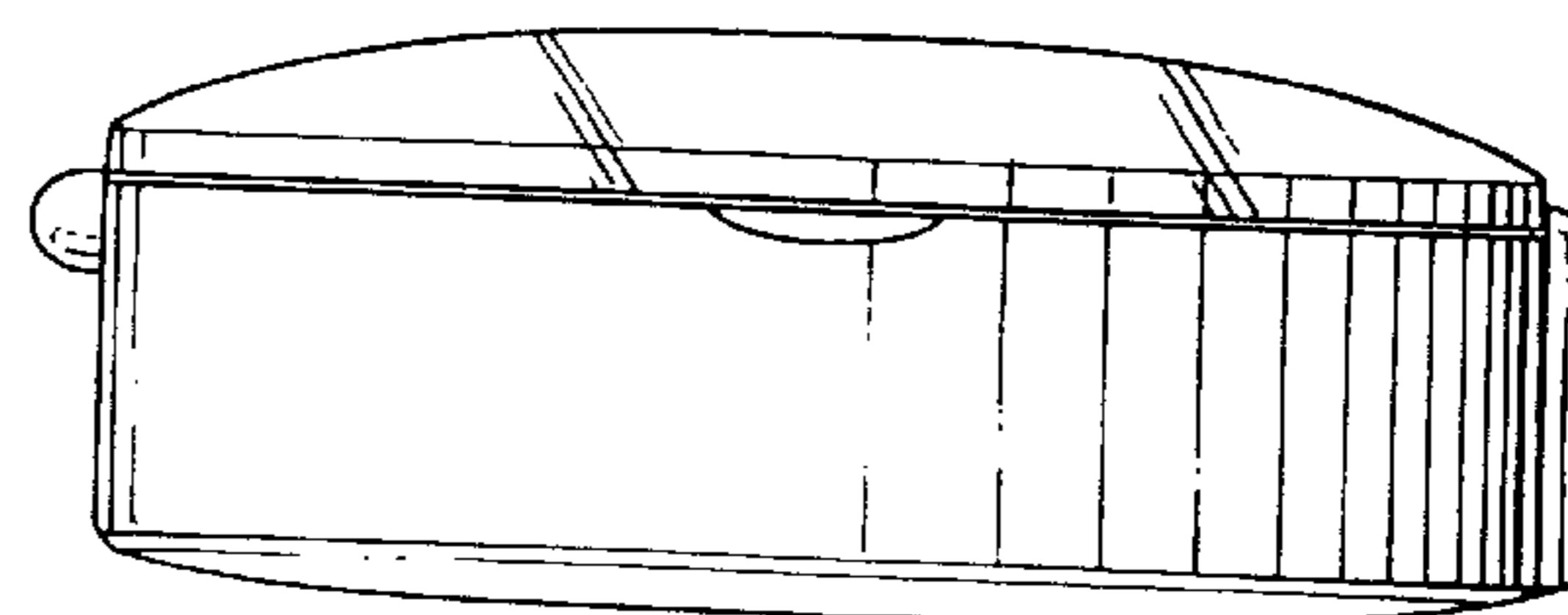


Fig. 16

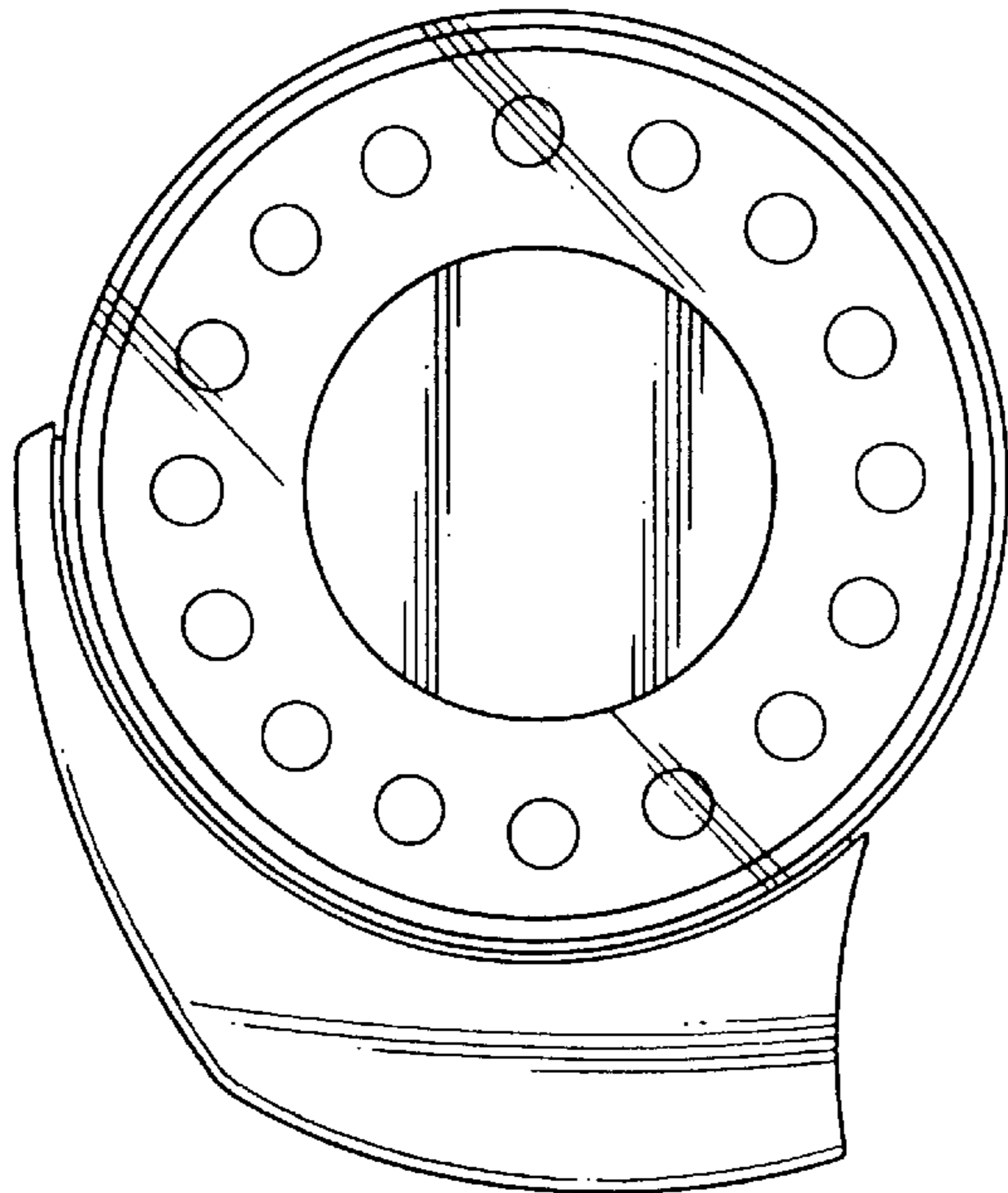


Fig. 17

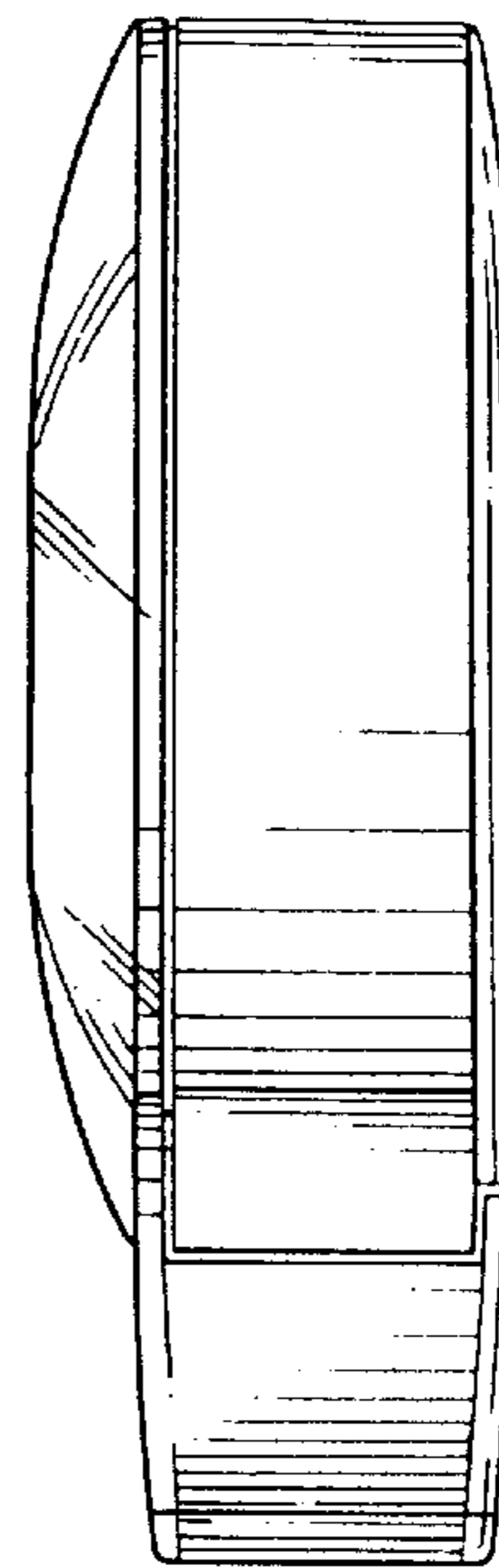


Fig. 18

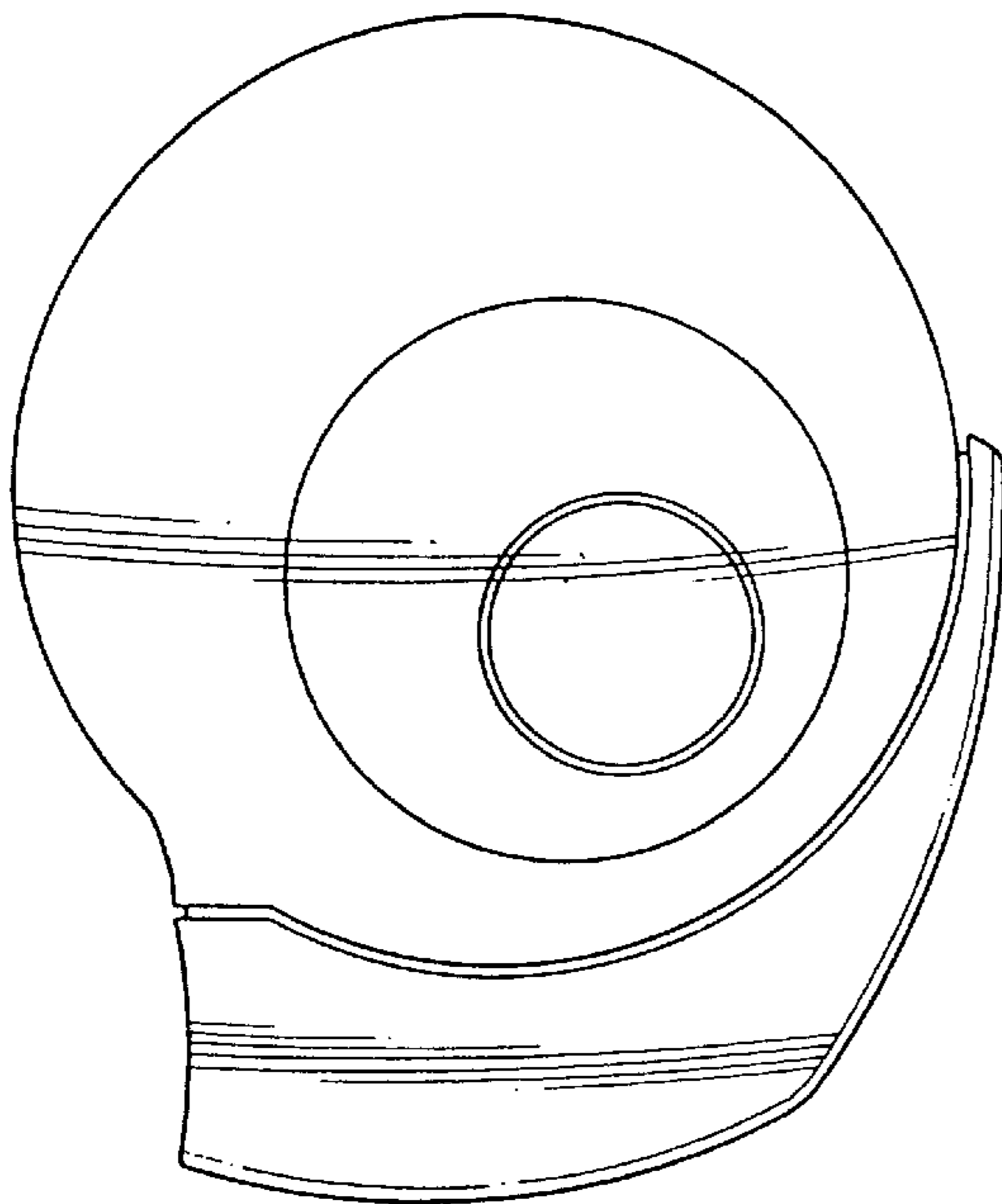


Fig. 19

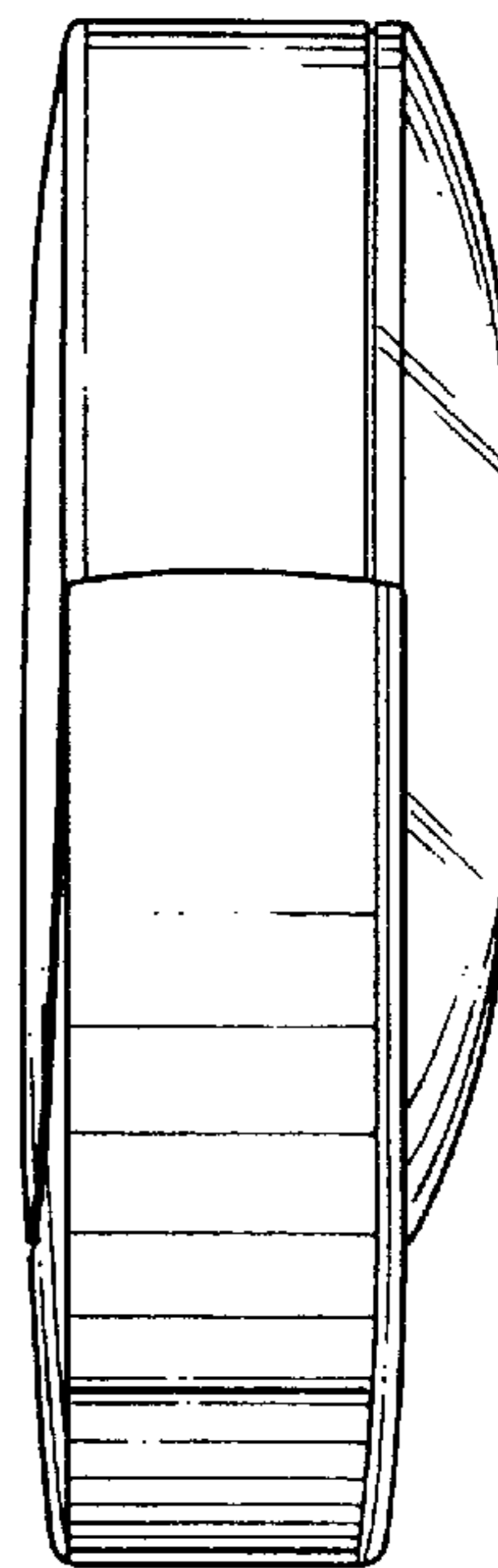


Fig. 20

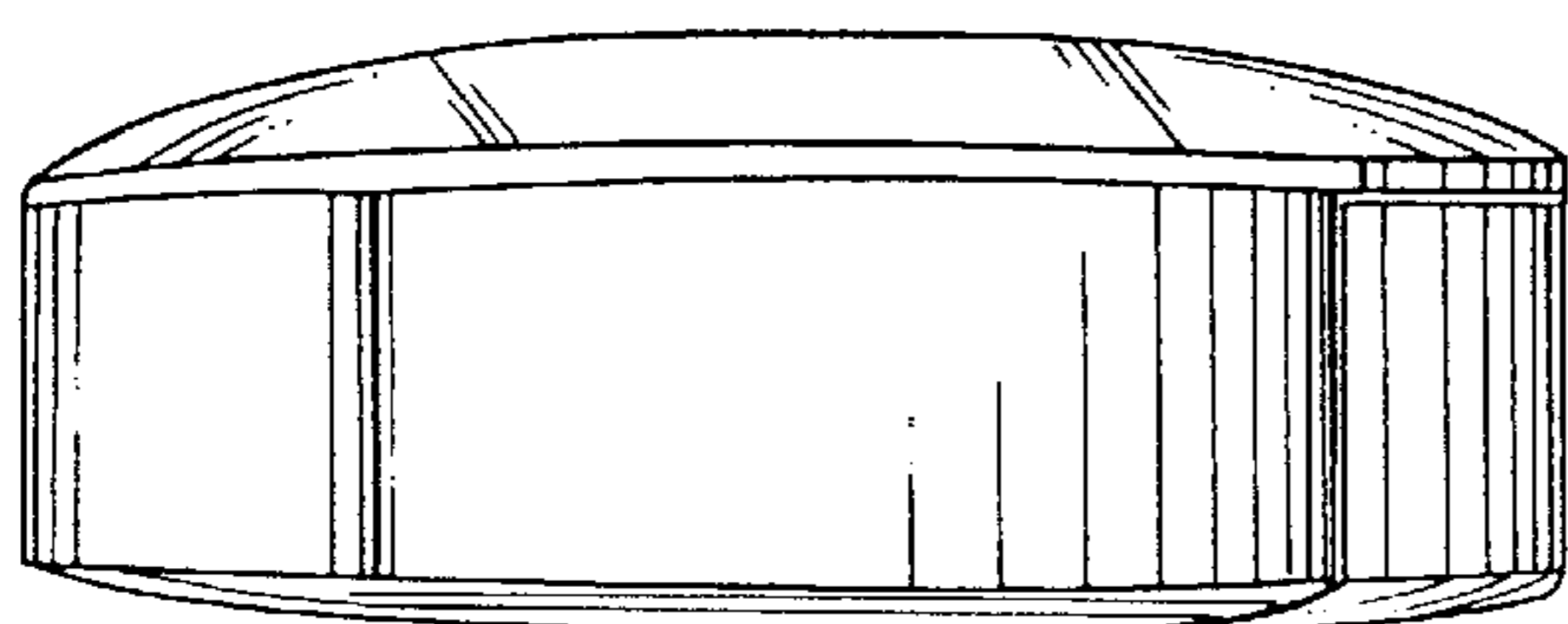


Fig. 21

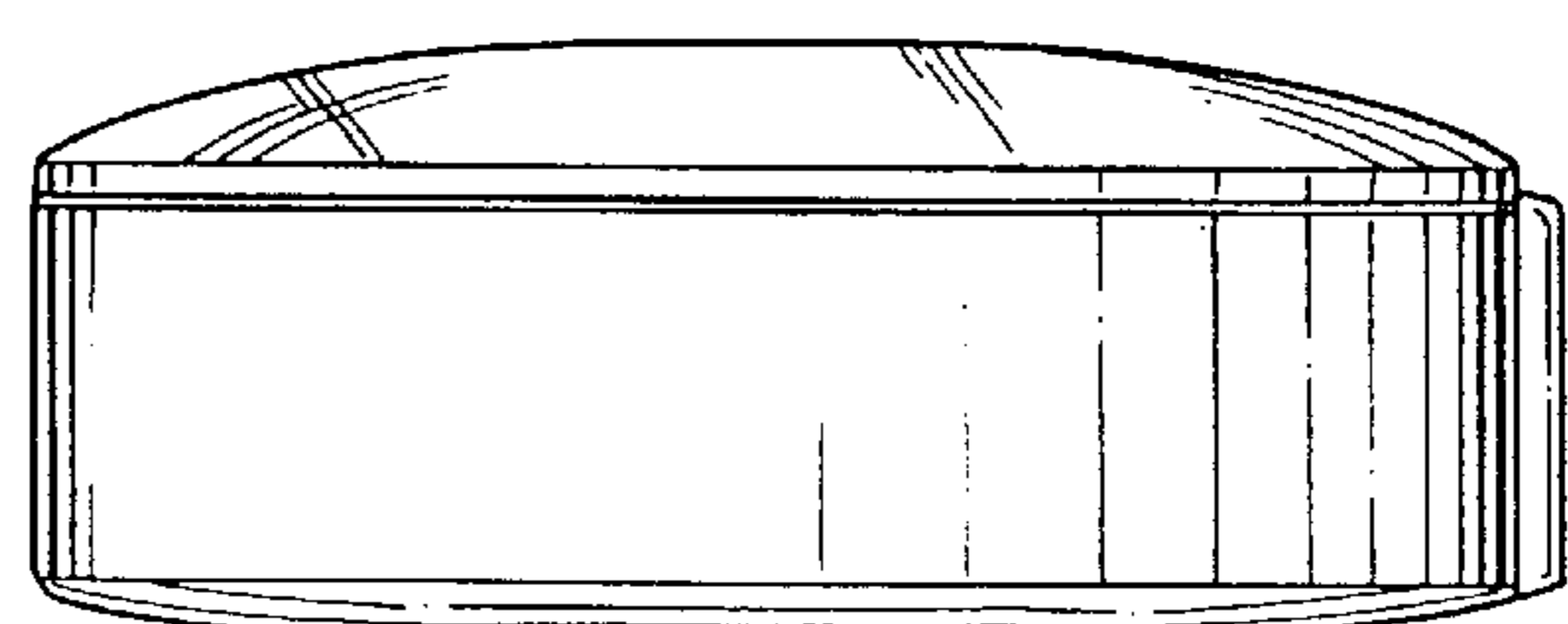


Fig. 22