



US00D395498S

United States Patent [19]

Gee, II

[11] Patent Number: Des. 395,498

[45] Date of Patent: **Jun. 23, 1998

[54] **BLADE IRON FOR A CEILING FAN**

[75] Inventor: **Jack W. Gee, II**, Huntsville, Ala.

[73] Assignee: **Hunter Fan Company**, Memphis, Tenn.

[**] Term: **14 Years**

[21] Appl. No.: **75,448**

[22] Filed: **Aug. 19, 1997**

[51] **LOC (6) Cl.** **23-04**

[52] **U.S. Cl.** **D23/411; D23/379; D23/385**

[58] **Field of Search** **D23/411, 413, D23/377, 379, 385; 416/5, 210 R; 392/364**

[56] **References Cited**

U.S. PATENT DOCUMENTS

- D. 297,974 10/1988 Sonneman D23/377
- D. 382,955 8/1997 Liu D23/411

Primary Examiner—Lisa Lichtenstein

Attorney, Agent, or Firm—Baker, Donelson, Bearman & Caldwell

[57] **CLAIM**

The ornamental design for a blade iron for a ceiling fan, as shown and described.

DESCRIPTION

FIG. 1 is a perspective view of a blade iron for a ceiling fan showing my new design, the broken lines being illustrative of environmental structure and forming no part of the claimed design;

FIG. 2 is an enlarged perspective view of the blade iron for a ceiling fan shown in FIG. 1;

FIG. 3 is an enlarged front view thereof;

FIG. 4 is an enlarged right-side view thereof;

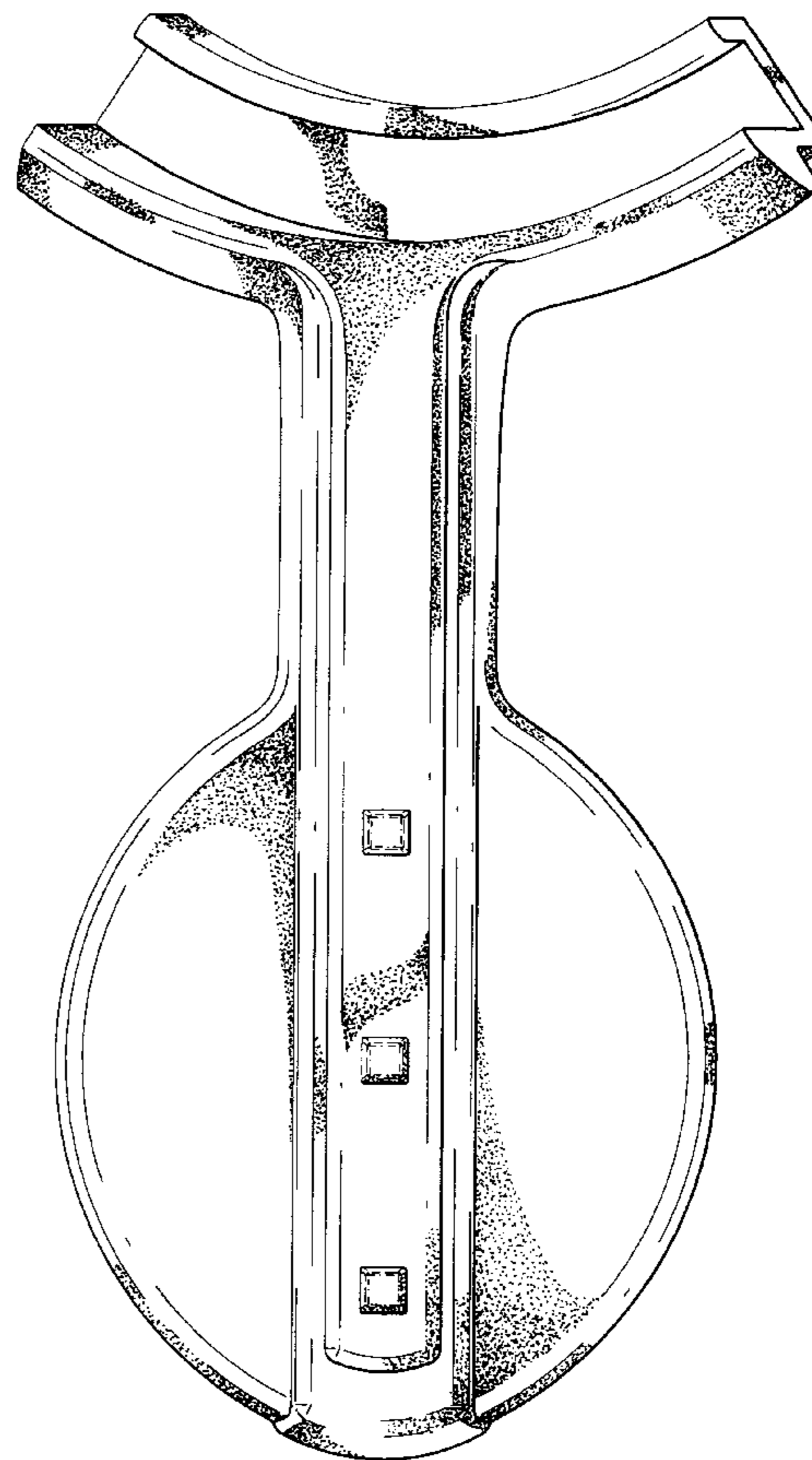
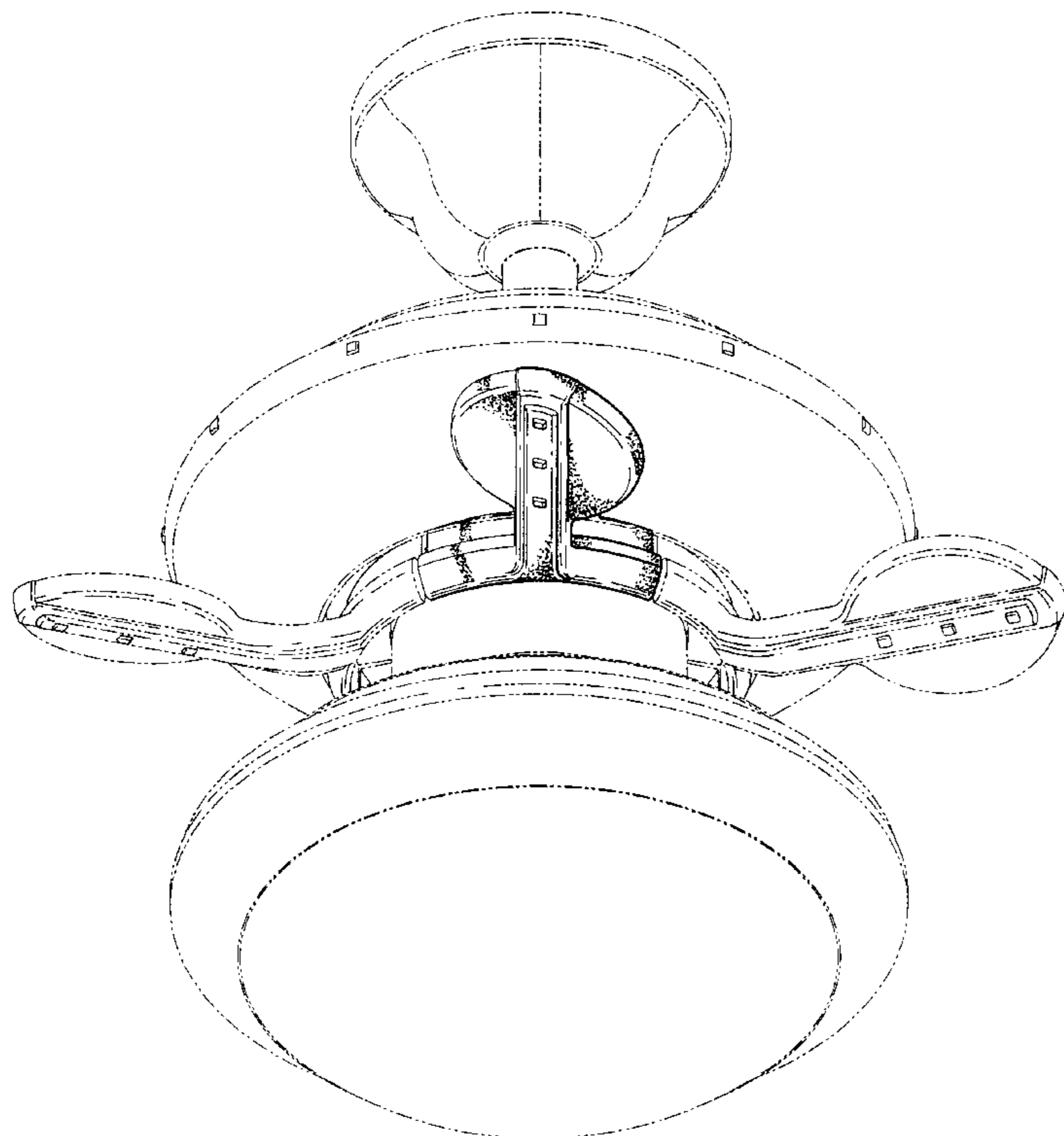
FIG. 5 is an enlarged rear view thereof;

FIG. 6 is an enlarged left-side view thereof;

FIG. 7 is an enlarged top view thereof; and,

FIG. 8 is an enlarged bottom view thereof.

1 Claim, 7 Drawing Sheets



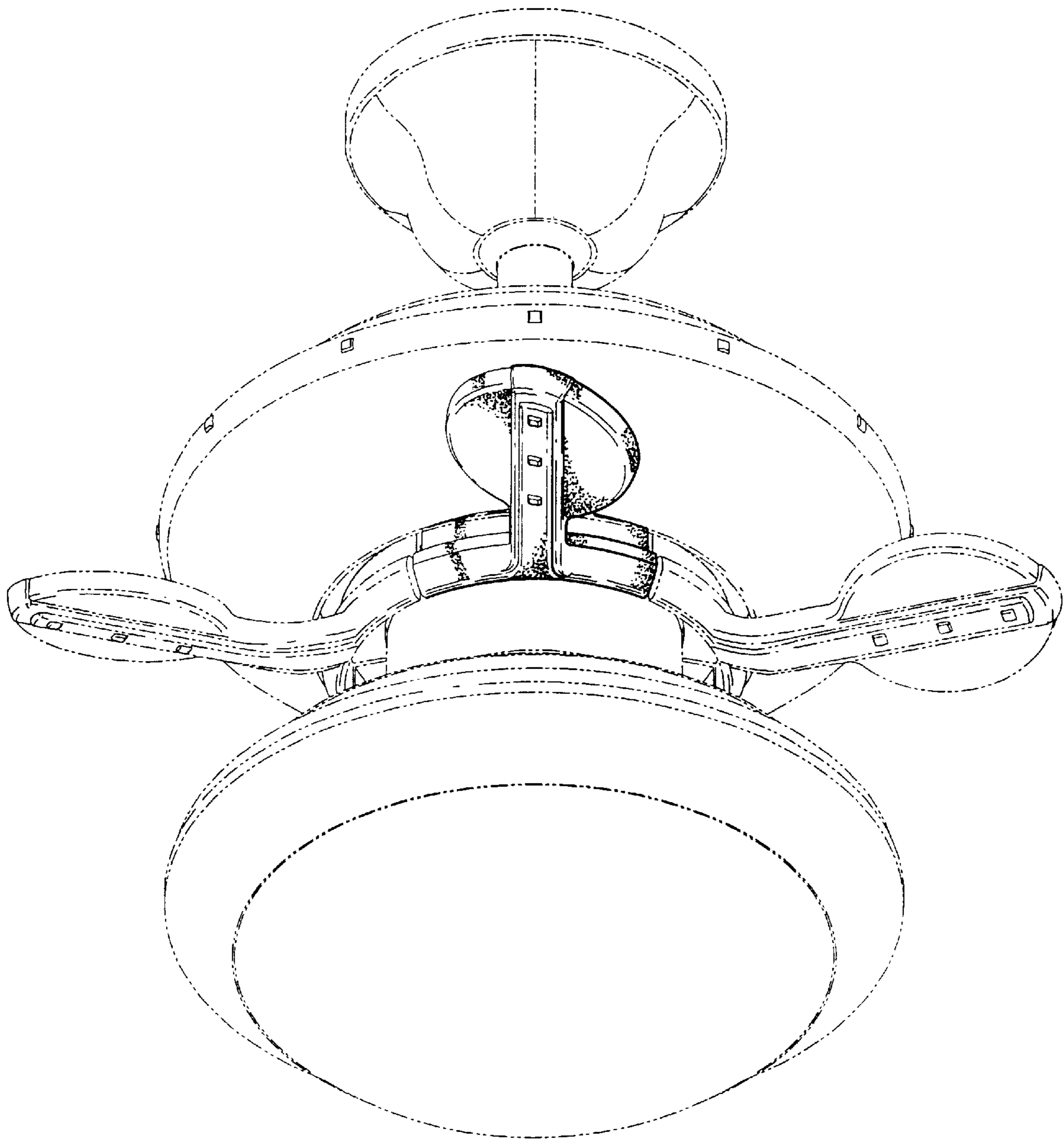


FIG 1

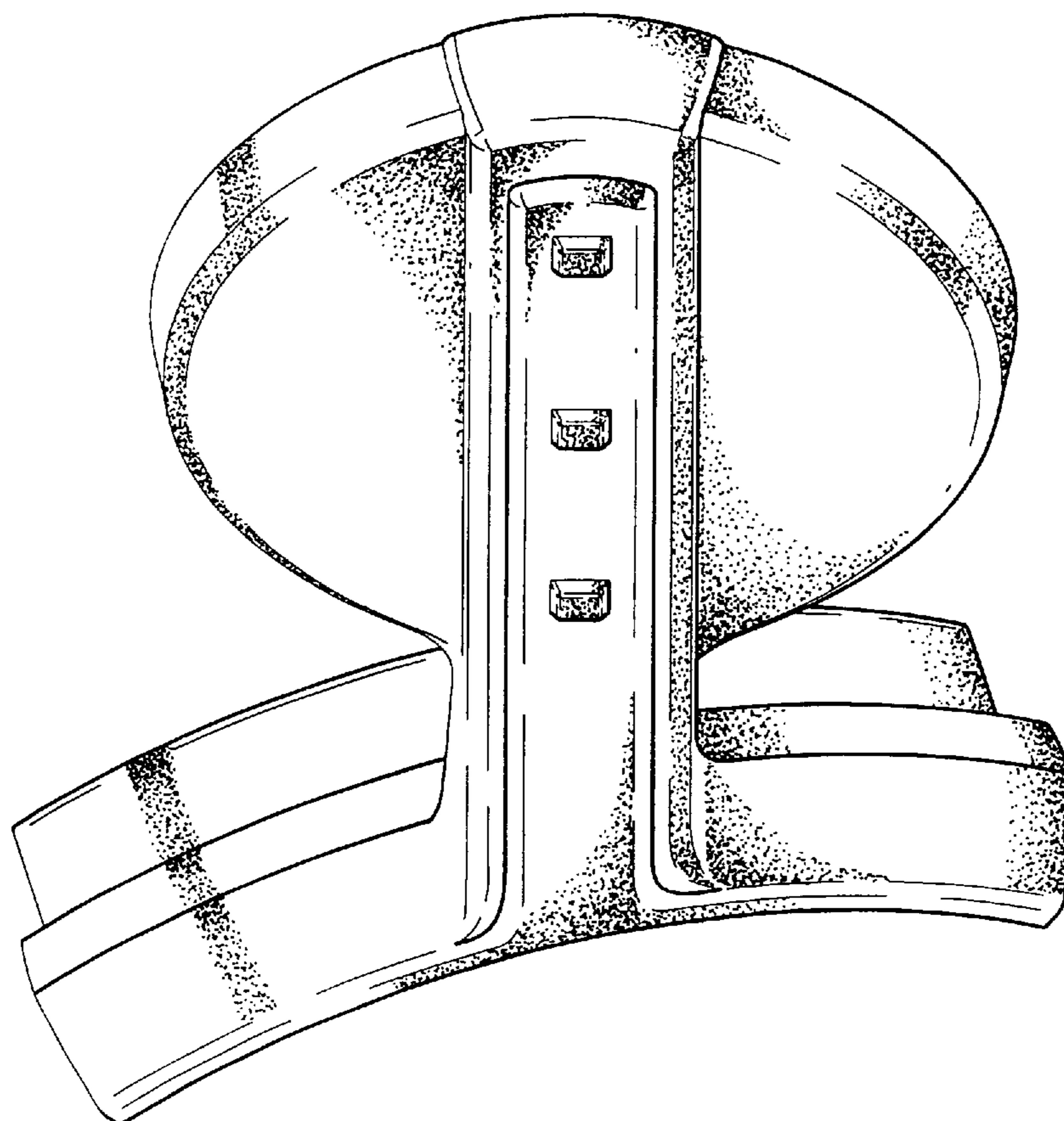


FIG 2

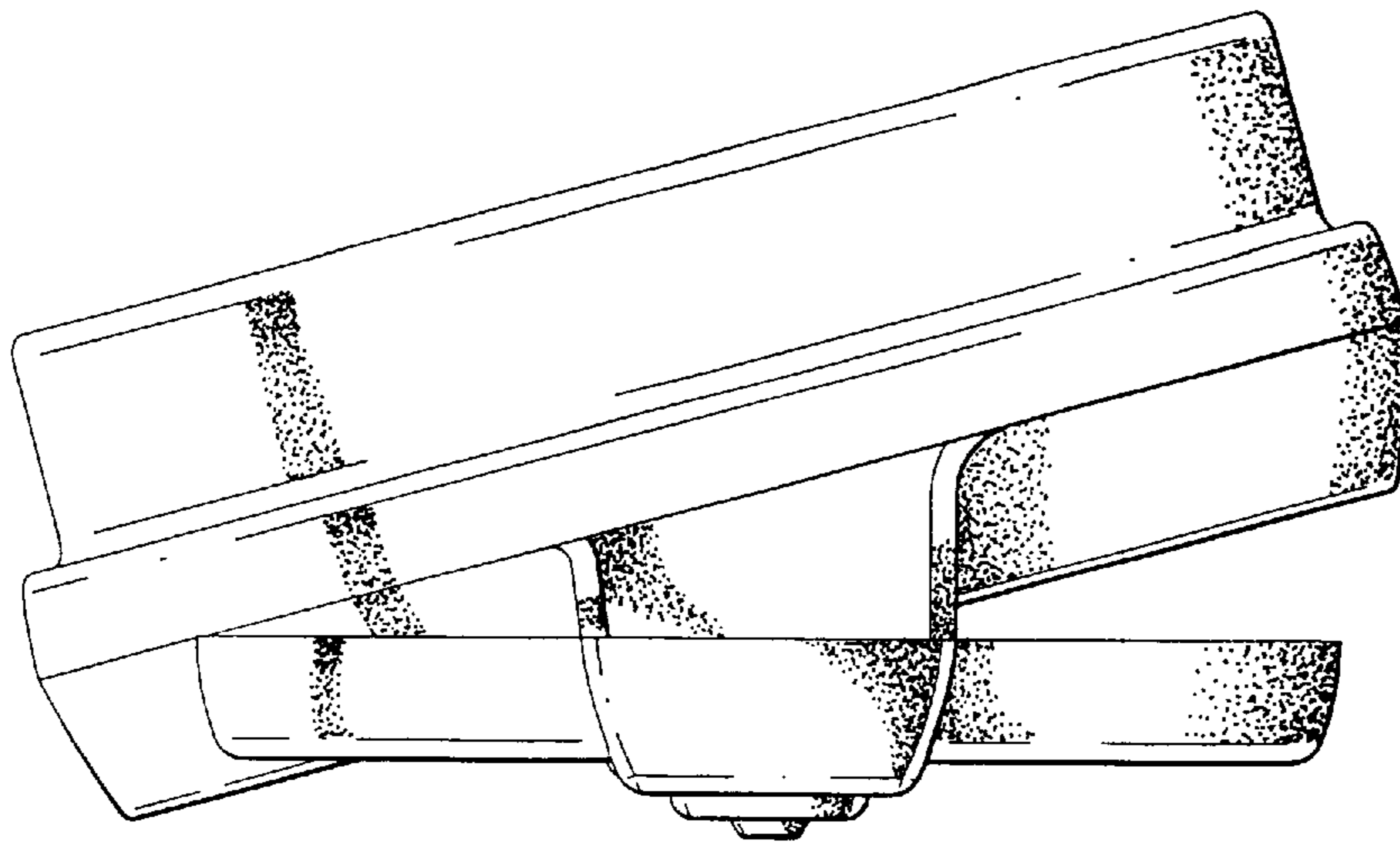


FIG 3

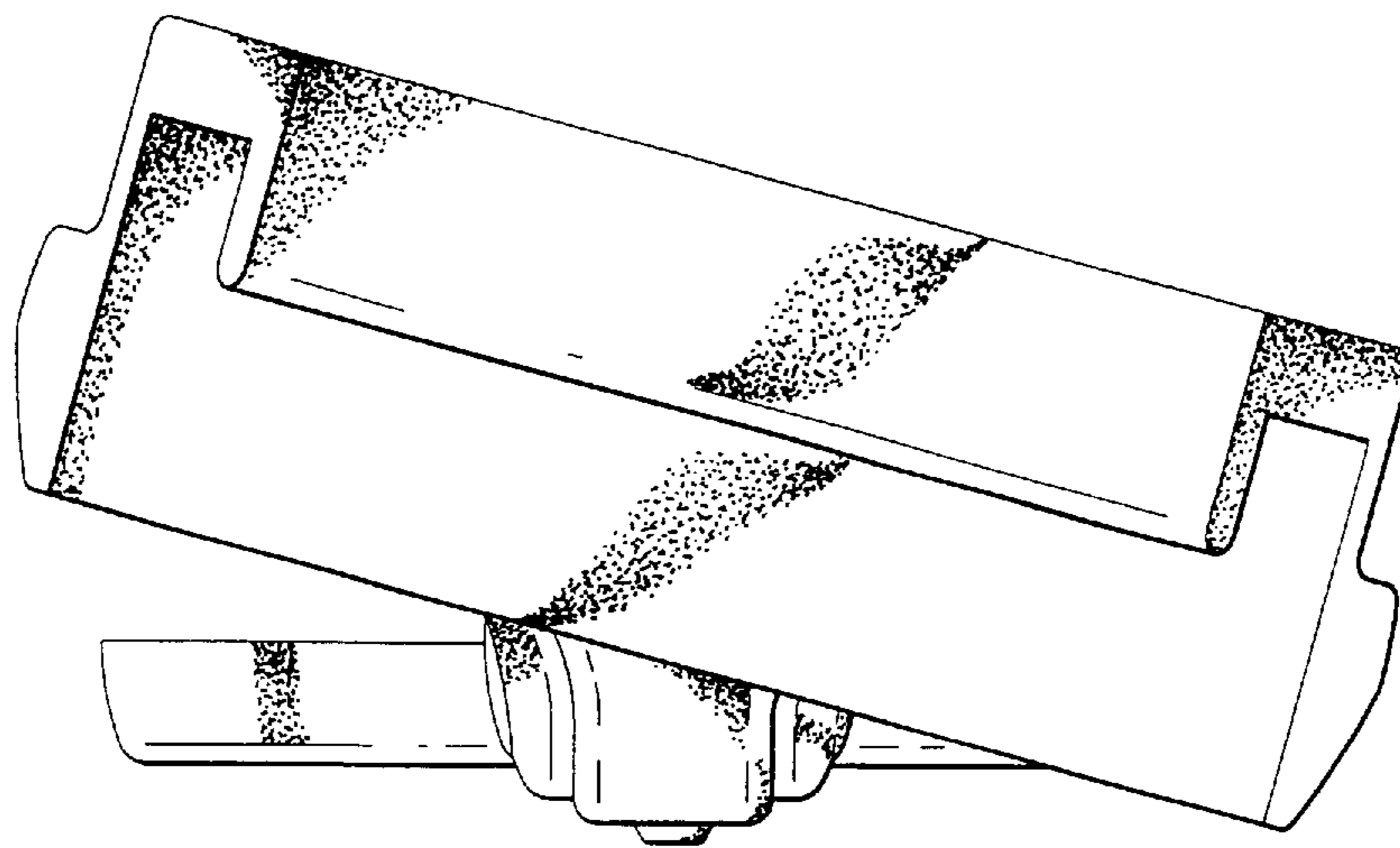


FIG 5

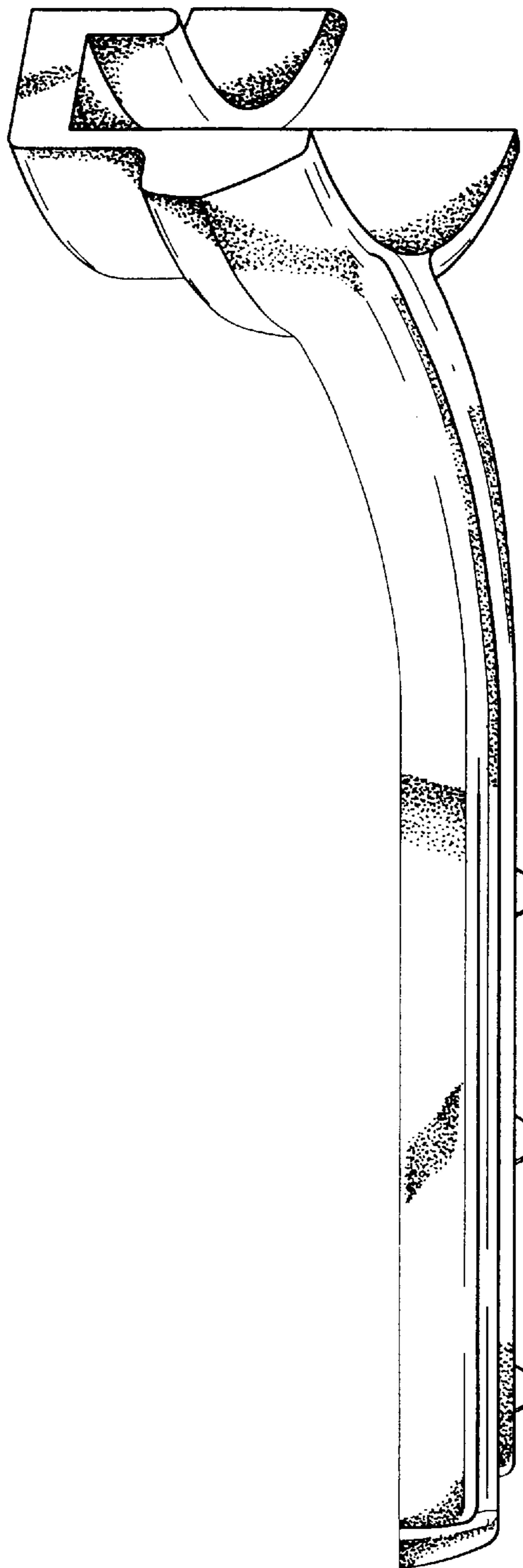


FIG 4

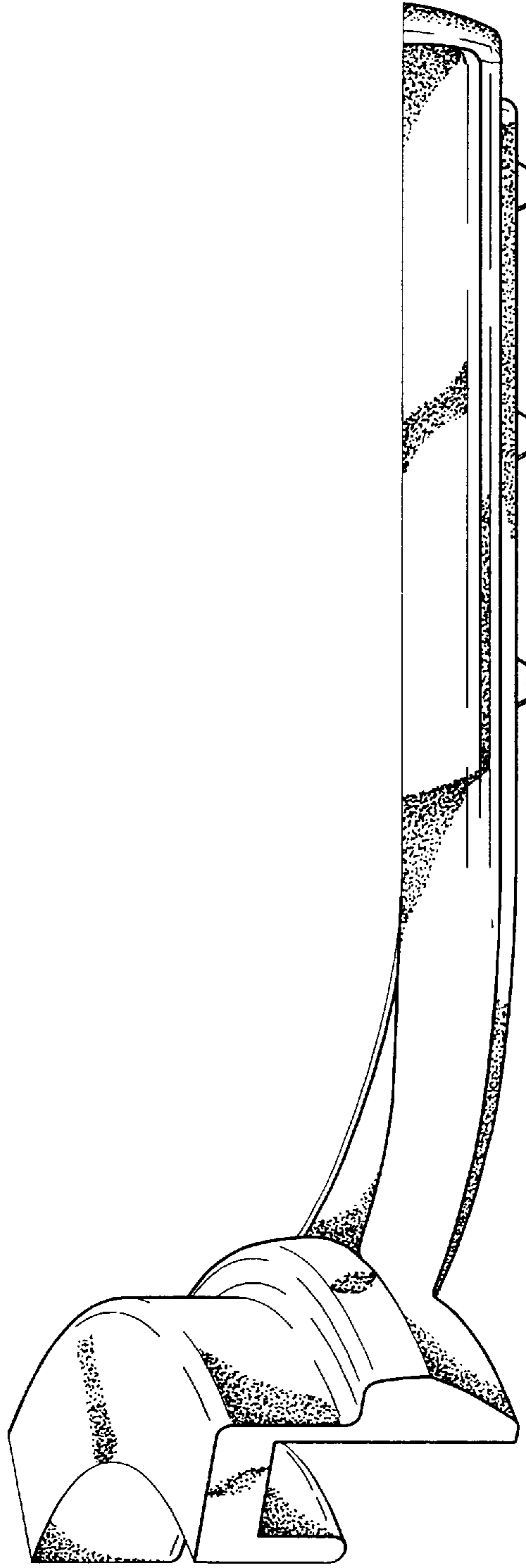


FIG 6

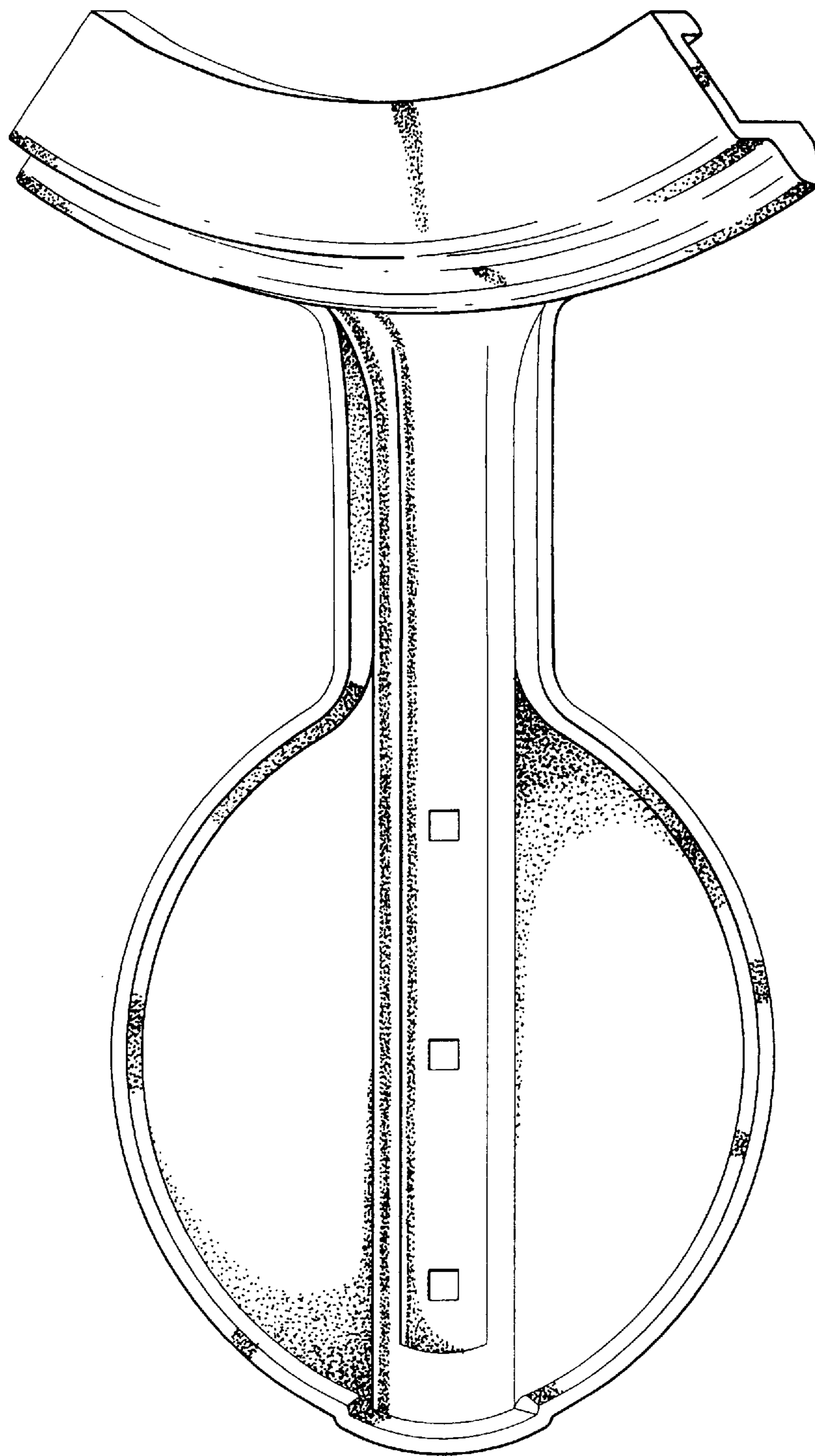


FIG 7

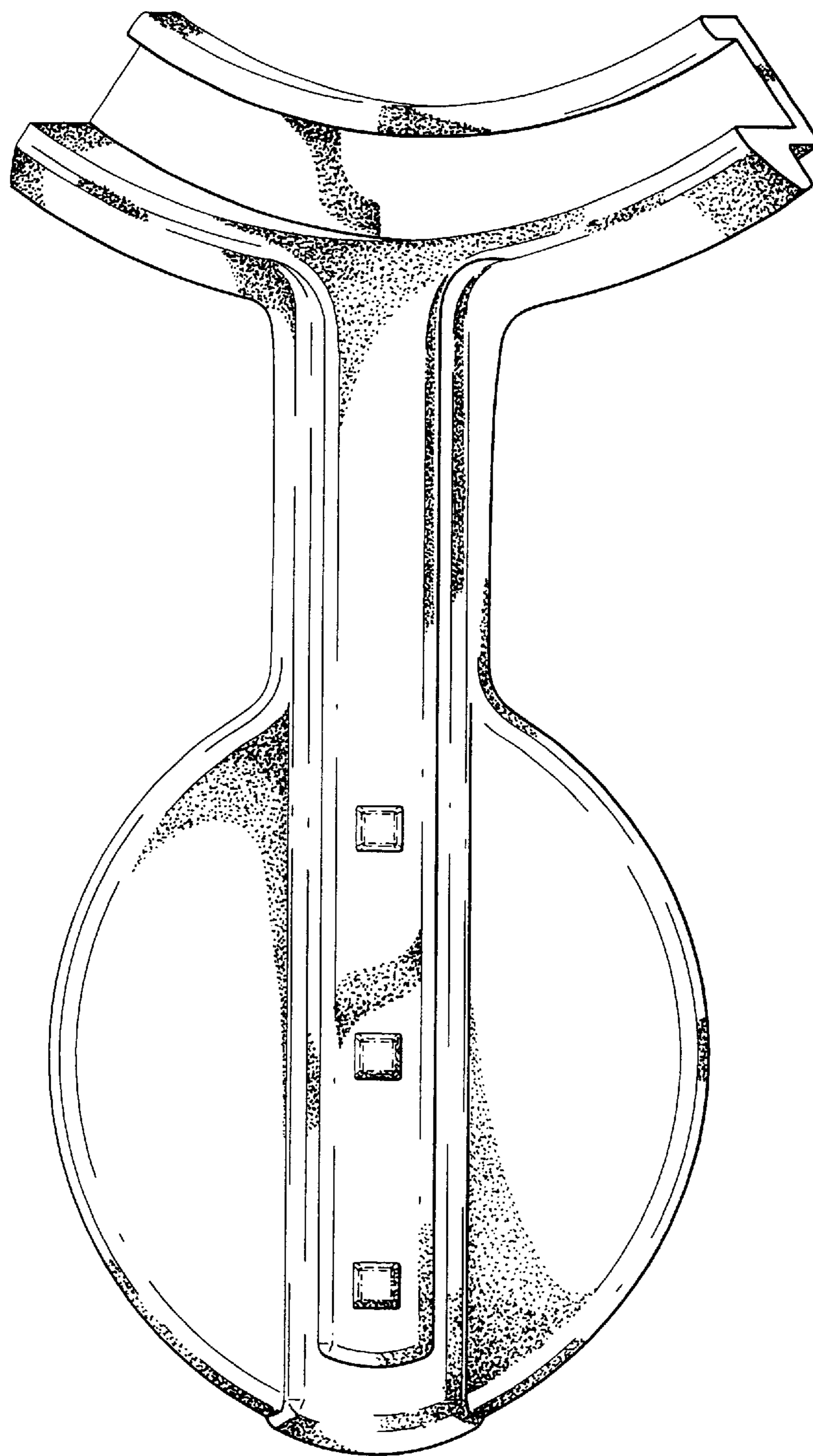


FIG 8