



US00D395496S

United States Patent [19]

Wang et al.

[11] Patent Number: **Des. 395,496**

[45] Date of Patent: ****Jun. 23, 1998**

[54] **FAN SUPPORT ROD**

[75] Inventors: **Jui-Shang Wang**, Taipei, Taiwan;
Rodney Jané, Westboro; **John Longan**,
Natick, both of Mass.; **Stanley**
Gresens, Homewood; **Gregory**
Holderfield, Oak Park, both of Ill.;
Donald Hootstein, Cambridge, Mass.;
Steven Valentor, Westmont, Ill.

[73] Assignee: **Honeywell Consumer Products, Inc.**,
Sorthborough, Mass.

[**] Term: **14 Years**

[21] Appl. No.: **36,190**

[22] Filed: **Mar. 14, 1995**

[51] **LOC (6) Cl.** **23-04**

[52] **U.S. Cl.** **D23/411; D6/455; D6/329;**
D6/458; D23/378; D26/138

[58] **Field of Search** D23/411, 377,
D23/379, 385, 378, 381, 382; D6/329,
382, 449, 462, 491, 455, 461, 460, 403,
405, 458, 495, 499; 248/676, 200.1; 416/246;
D25/126; D26/138

[56] **References Cited**

U.S. PATENT DOCUMENTS

D. 131,669	3/1942	Kisling	D23/379
D. 187,799	5/1960	Saarinen	D6/495
1,374,026	4/1921	Nelson	248/200.1
1,772,296	8/1930	Strobell	D23/378

3,327,310	6/1967	Bethune et al.	248/200.1
5,056,753	10/1991	Lunau et al.	248/200.1
5,411,372	5/1995	Clark	416/110

FOREIGN PATENT DOCUMENTS

531417	11/1957	Belgium	248/200.1
744094	4/1933	France	248/200.1
1399988	1/1965	France	248/200.1
182999	7/1924	United Kingdom	248/200.1

OTHER PUBLICATIONS

Doc. 54-48361 Japanese Design Registration Application dated Nov. 16, 1979.

Primary Examiner—Lisa Lichtenstein
Attorney, Agent, or Firm—John E. Toupal

[57] **CLAIM**

The ornamental design for a fan support rod, as shown and described.

DESCRIPTION

FIG. 1 is a front, left side perspective view of a fan support rod;

FIG. 2 is a right side elevational view thereof;

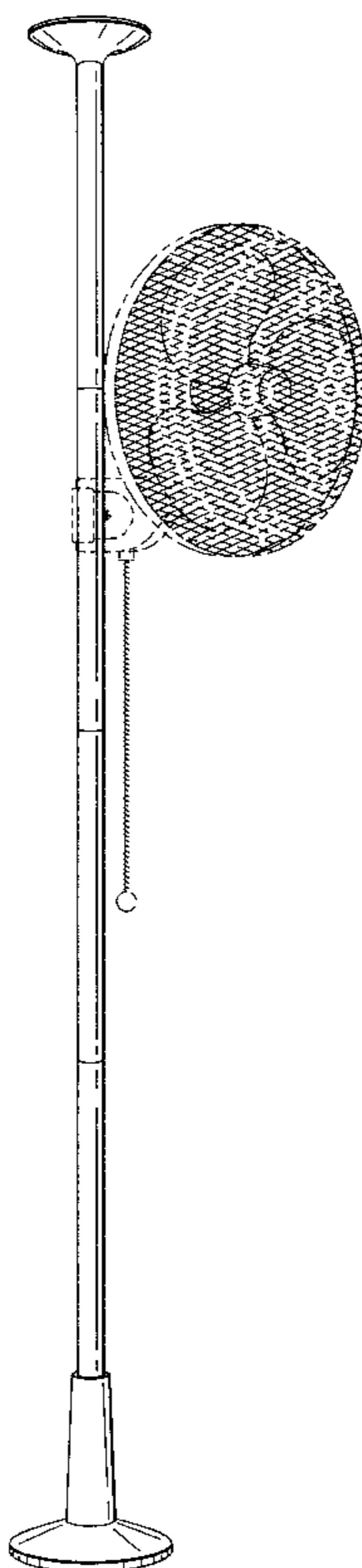
FIG. 3 is a top plan view thereof; and,

FIG. 4 is a bottom plan view thereof.

The left side elevation is a mirror image of the right side elevation.

The broken line showing of environmental structure in FIGS. 1-4 is for illustrative purposes only and forms no part of the claimed design.

1 Claim, 2 Drawing Sheets



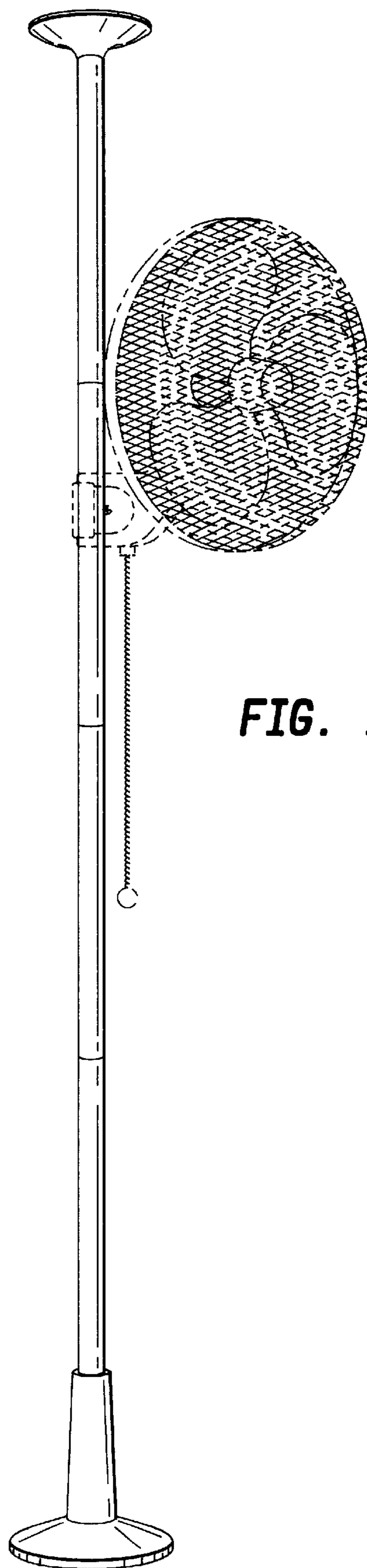


FIG. 1

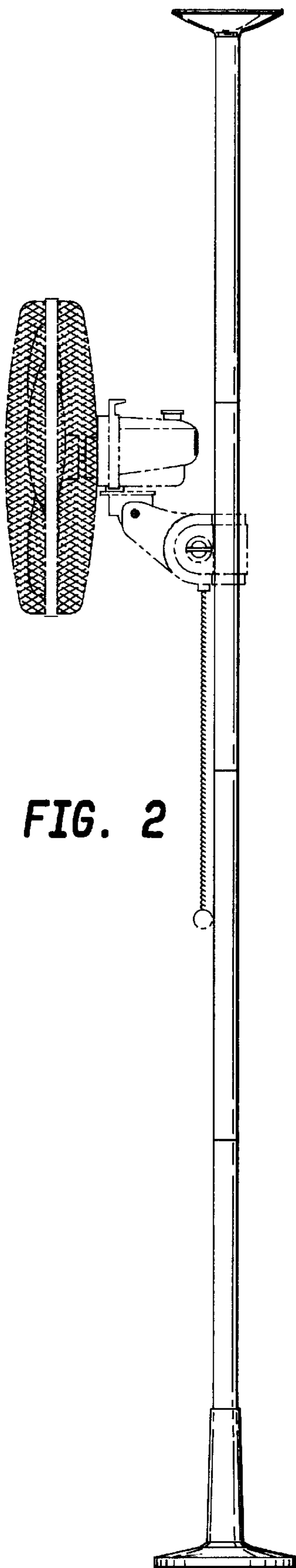


FIG. 2

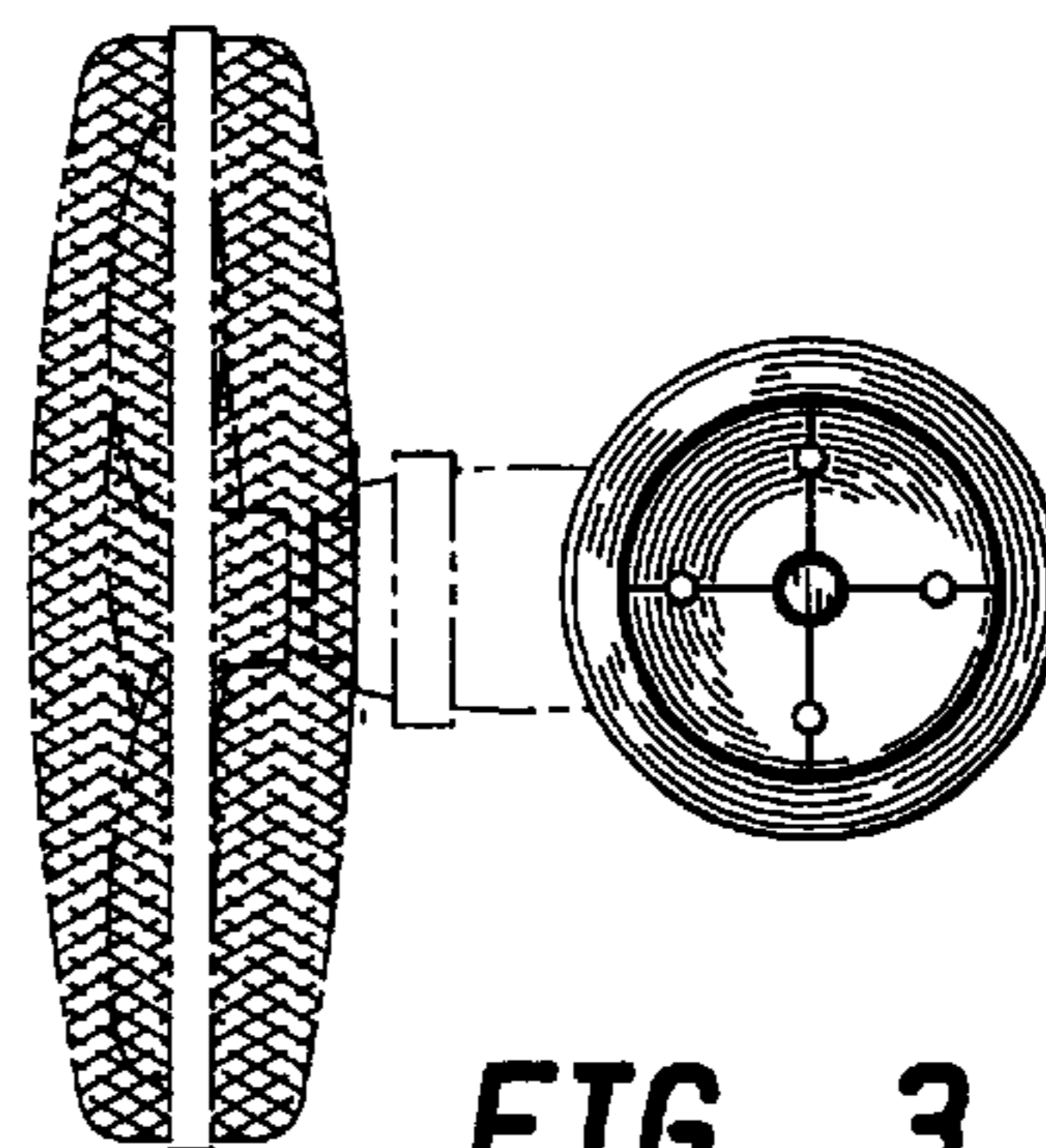


FIG. 3

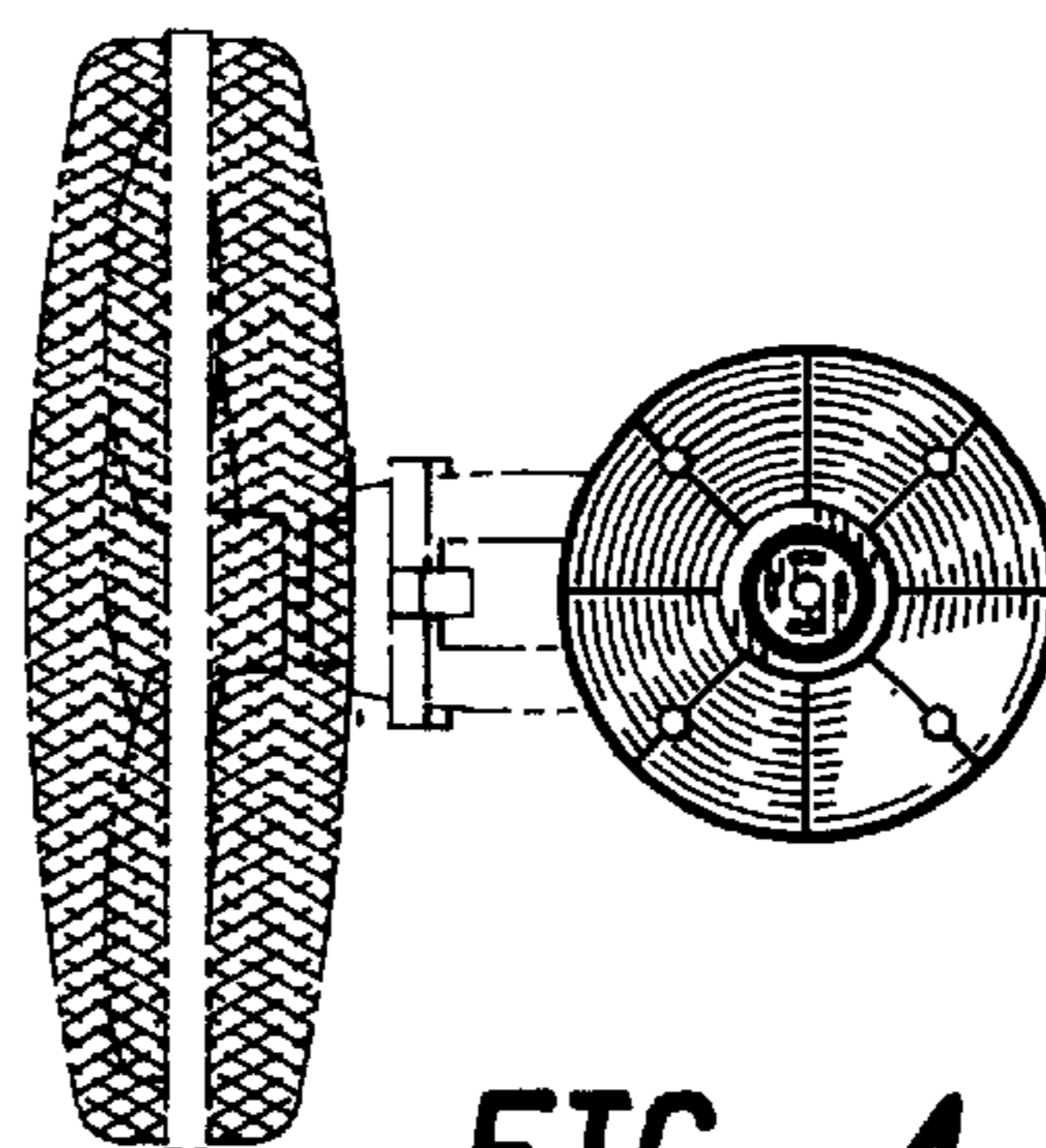


FIG. 4