



US00D395493S

# United States Patent [19]

[11] **Patent Number: Des. 395,493**

**Palladini**

[45] **Date of Patent: \*\*Jun. 23, 1998**

[54] **AUTOMOTIVE AIR CLEANER HOUSING**

5,120,334	6/1992	Cooper	.....	55/385.3
5,553,587	9/1996	Conoscenti	.....	55/385.3 X
5,605,554	2/1997	Kennedy	.....	55/385.3 X

[76] Inventor: **Frank O. Palladini**, 358 Blossom Hill Rd., San Jose, Calif. 95123

[\*\*] Term: **14 Years**

*Primary Examiner*—Doris V. Coles  
*Assistant Examiner*—Catherine R. Oliver  
*Attorney, Agent, or Firm*—Raymond E. Roberts; Michael J. Hughes

[21] Appl. No.: **51,977**

[22] Filed: **Mar. 20, 1996**

[57] **CLAIM**

[51] **LOC (6) Cl.** ..... **23-04**

The ornamental design for an automotive air-cleaner housing, as shown and described.

[52] **U.S. Cl.** ..... **D23/364; D23/365**

[58] **Field of Search** ..... D12/400, 181; D23/364, 365; 55/276, 274, 385.3, 497, 502, 385.1; 123/198 E; 73/118.2

**DESCRIPTION**

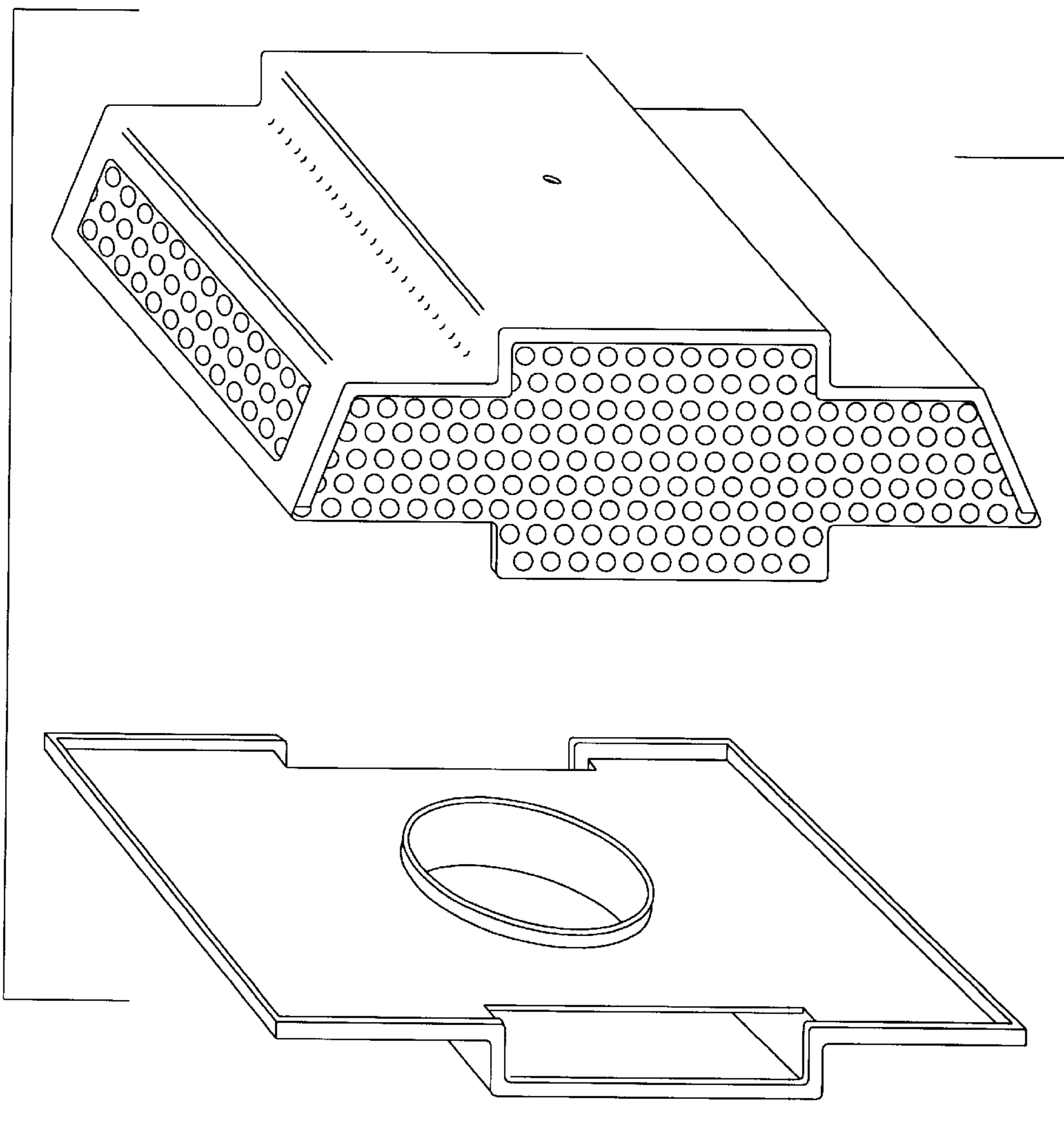
[56] **References Cited**

FIG. 1 is a top plan of the automotive air-cleaner housing; FIG. 2 is a bottom plan view thereof; FIG. 3 is a front elevational view thereof; FIG. 4 is a rear elevational view thereof; FIG. 5 is a front-bottom perspective view thereof; FIG. 6 is a rear-top perspective view thereof; and, FIG. 7 is a partially exploded view thereof.

**U.S. PATENT DOCUMENTS**

D. 340,509	10/1993	Odom et al.	.....	D23/364
D. 342,568	12/1993	Rose	.....	D23/365
D. 344,581	2/1994	Kenneth	.....	D23/365
4,595,401	6/1986	Witchell	.....	55/385.3

**1 Claim, 3 Drawing Sheets**



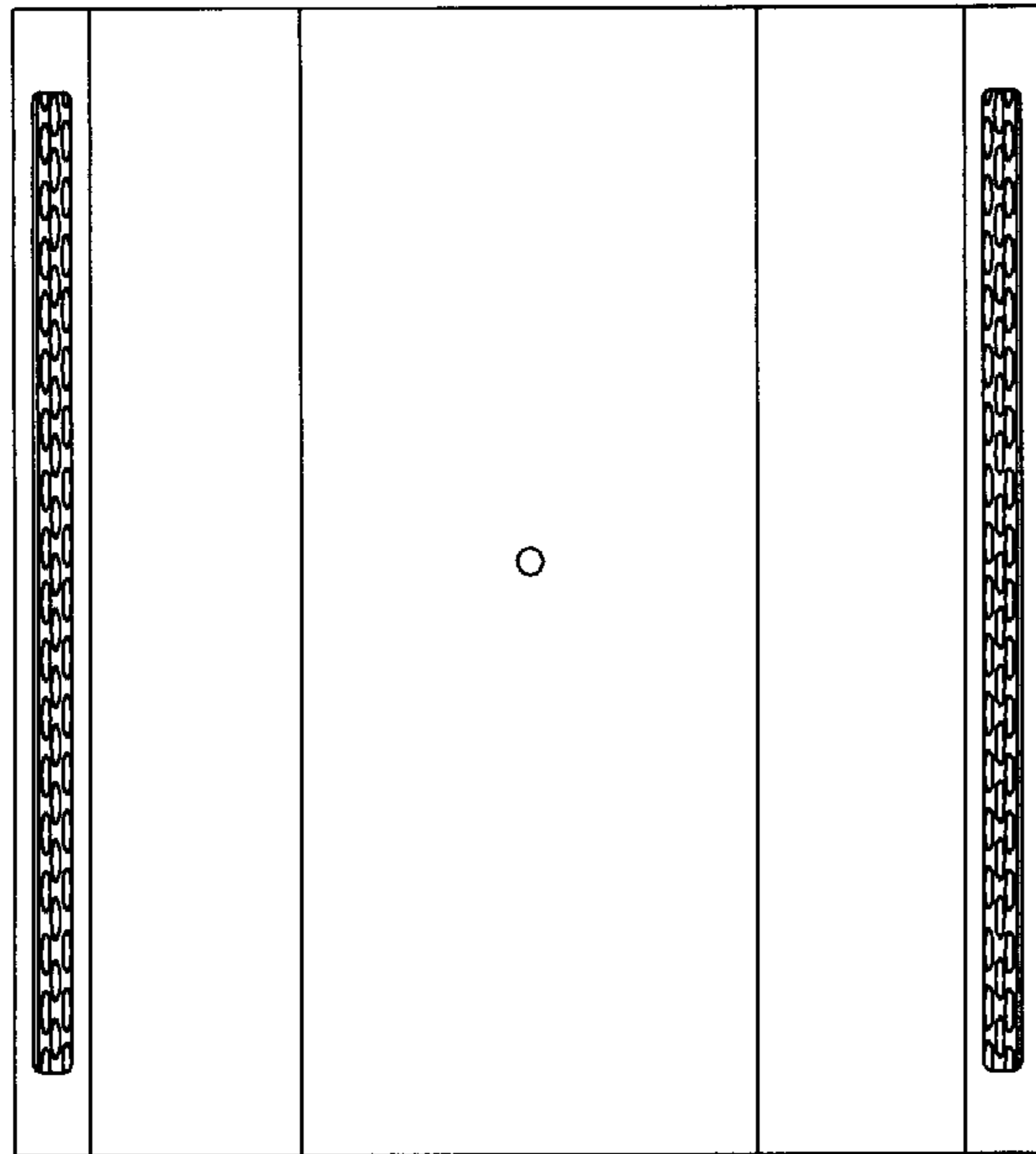


FIG. 1

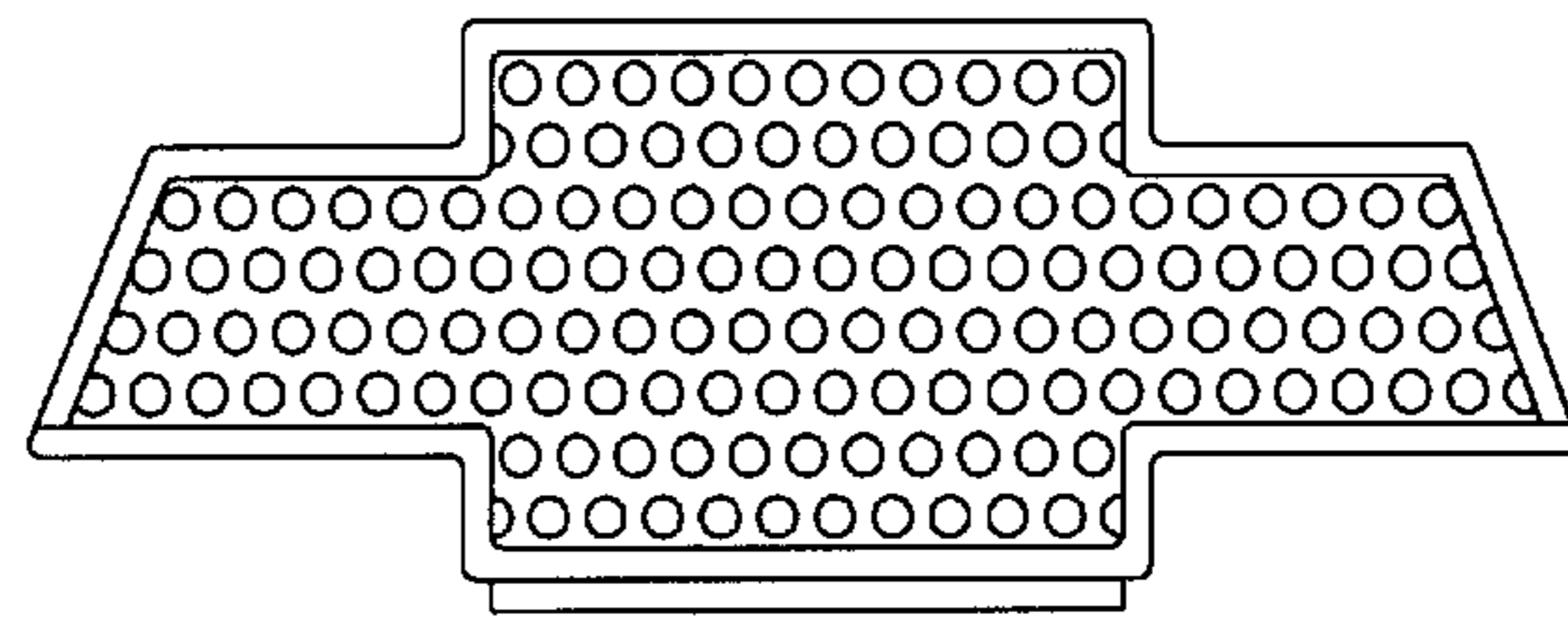


FIG. 3

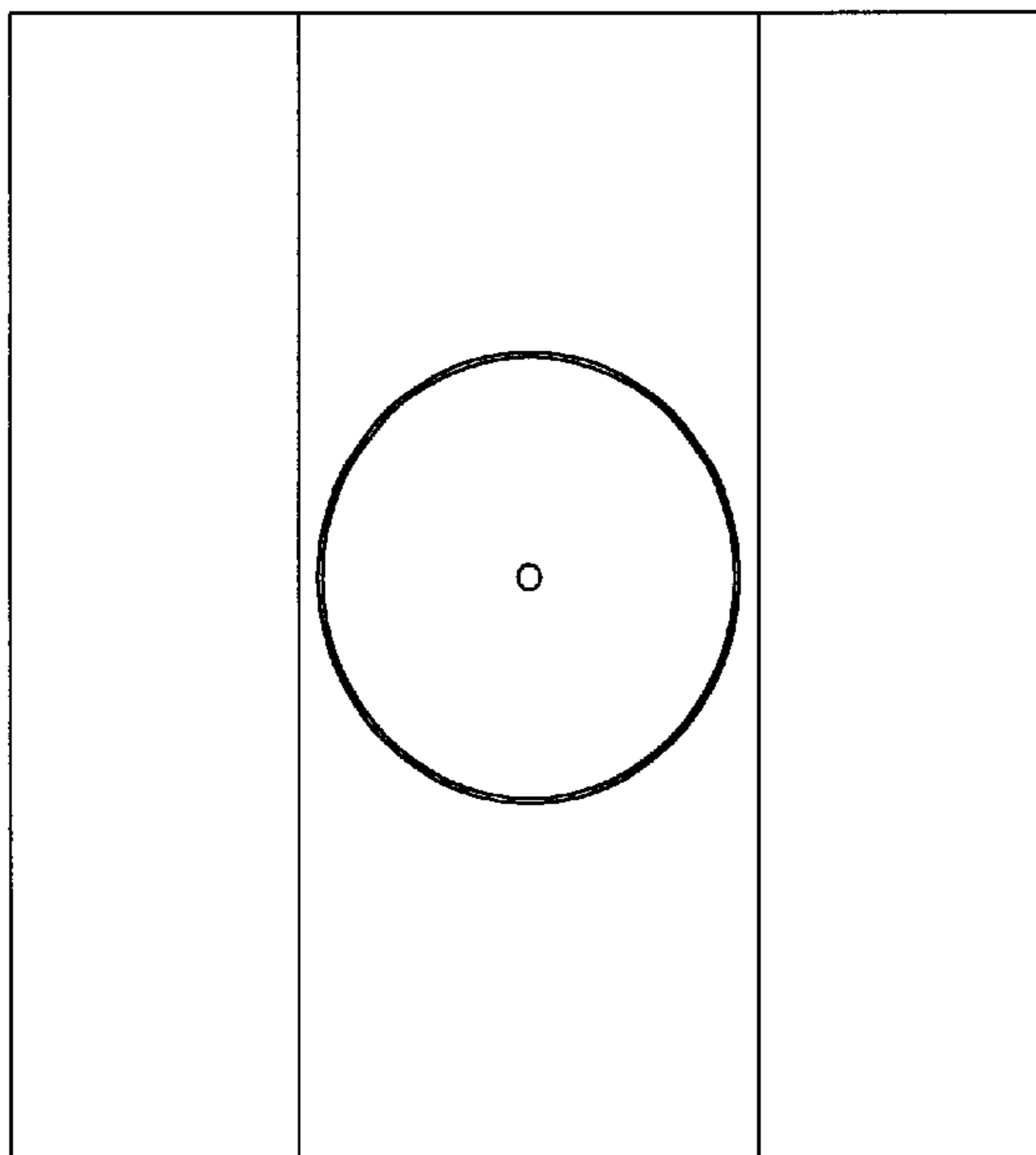


FIG. 2

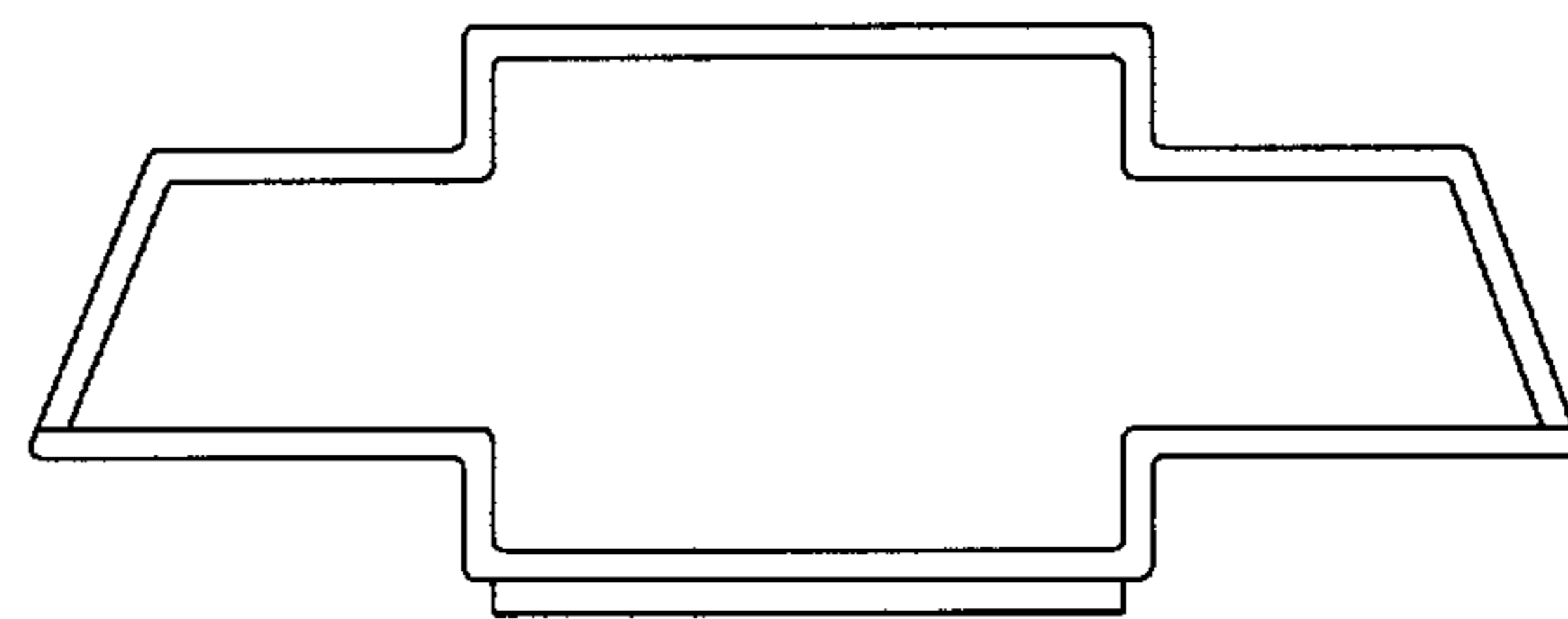


FIG. 4

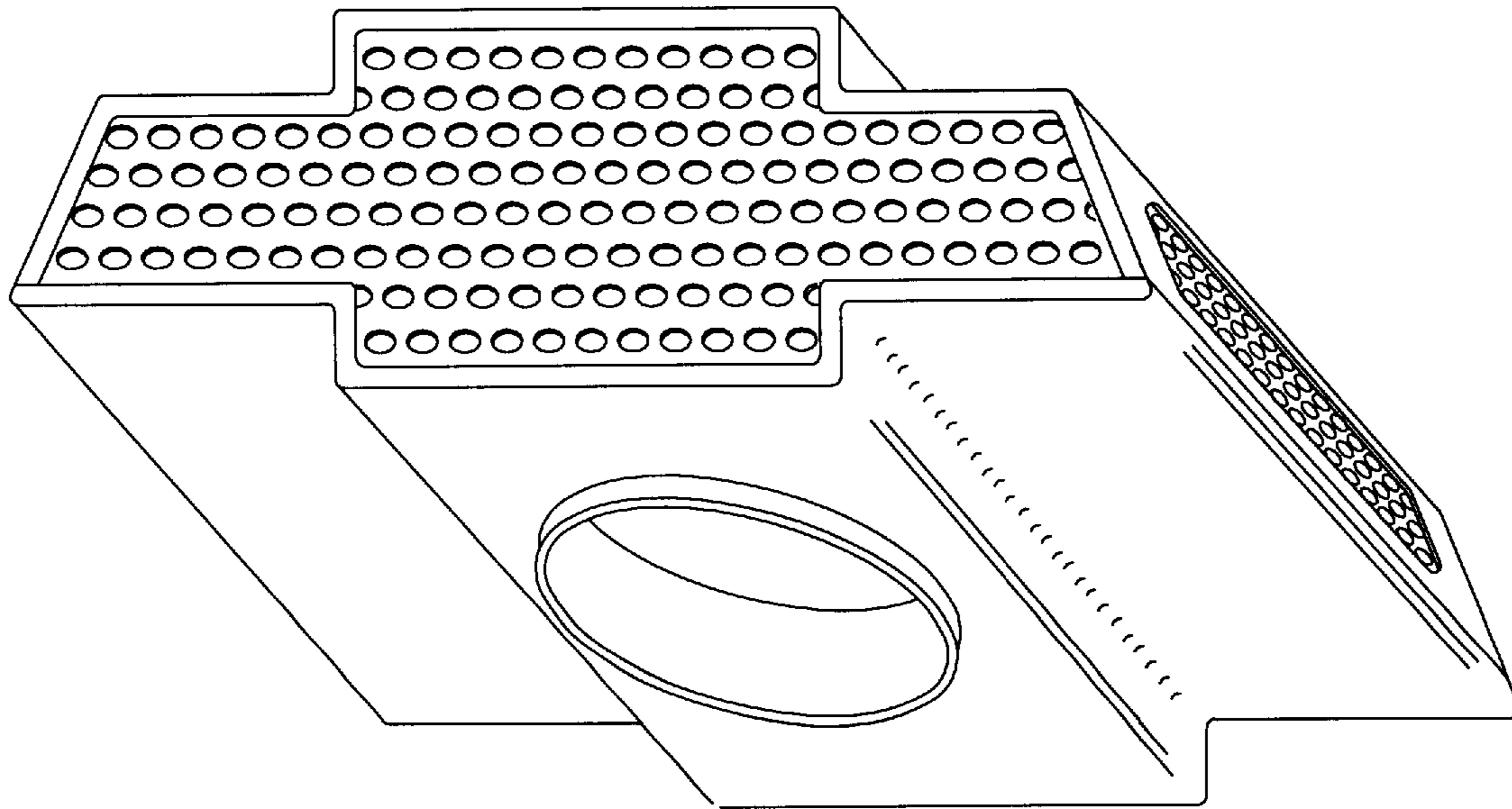


FIG. 5

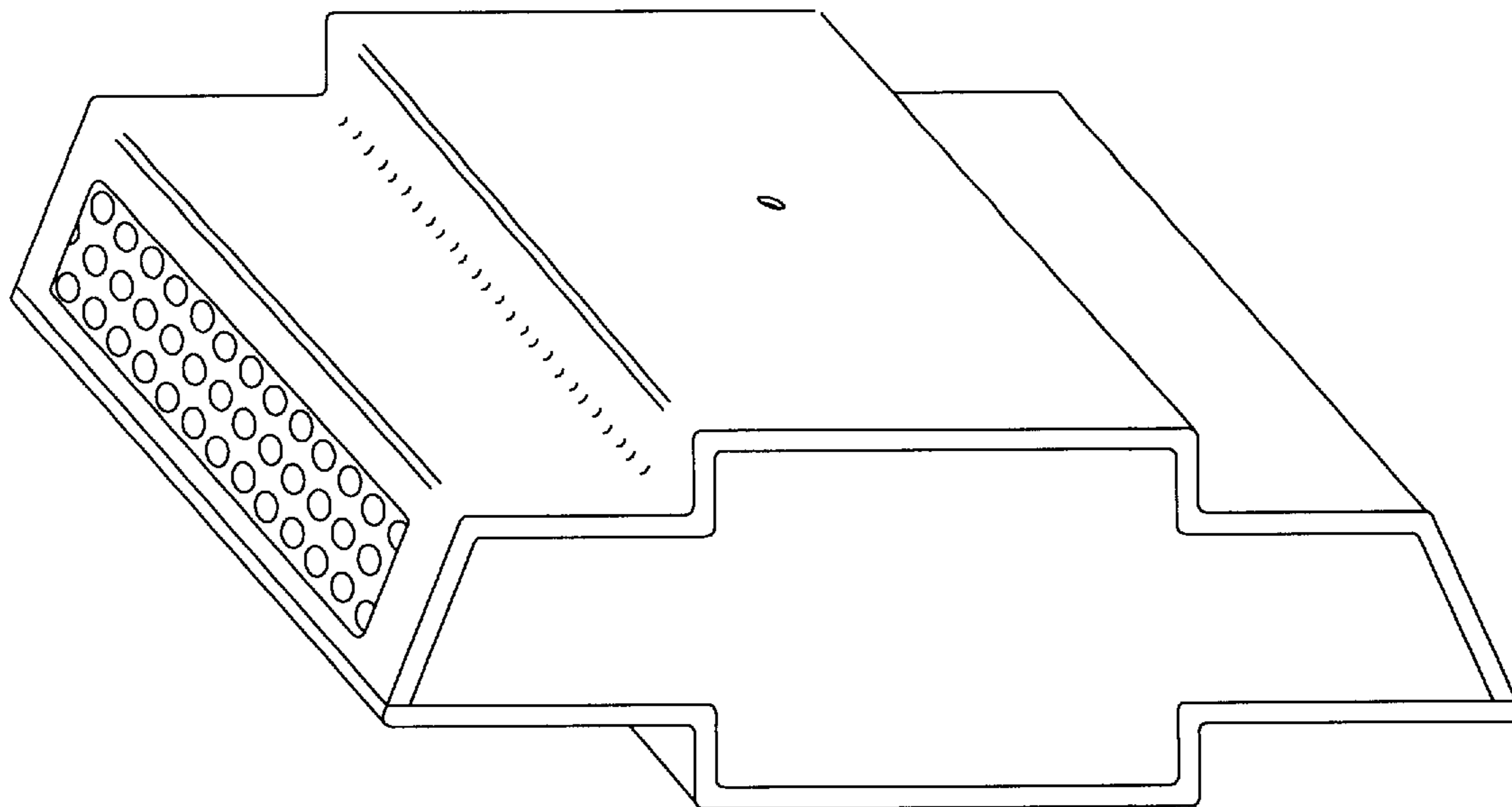


FIG. 6

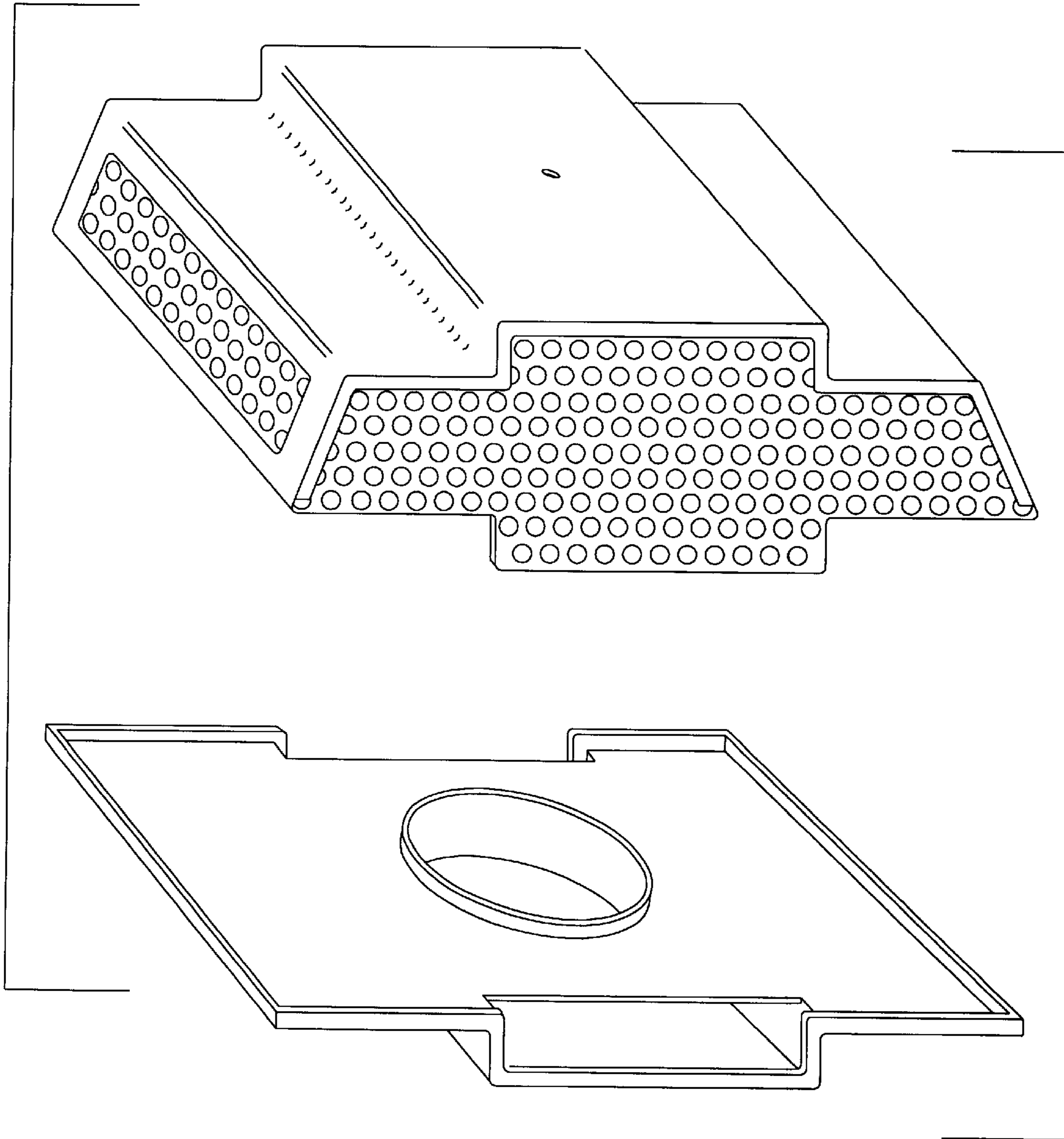


FIG. 7