



US00D395484S

United States Patent [19]
Jepsen

[11] **Patent Number: Des. 395,484**

[45] **Date of Patent: **Jun. 23, 1998**

[54] **NOZZLE HEAD**

[75] Inventor: **Jens Toft Jepsen**, Klarup, Denmark

[73] Assignee: **Semco Marine**, Odense S, Denmark

[**] Term: **14 Years**

[21] Appl. No.: **62,146**

[22] Filed: **Nov. 8, 1996**

[30] **Foreign Application Priority Data**

May 9, 1996 [DK] Denmark MA 0483 1996

[51] **LOC (6) Cl.** **23-01**

[52] **U.S. Cl.** **D23/213**

[58] **Field of Search** D23/213-215,
D23/218-220; 239/500, 504, 209, 589,
288, 288.3, 288.5, 222.13-222.21, 201,
224

[56] **References Cited**

U.S. PATENT DOCUMENTS

D. 253,364 11/1979 McFadden D23/214

D. 296,464 6/1988 Marmol D23/213
D. 348,719 7/1994 Dolan D23/214
2,975,981 3/1961 Cockman 239/222.17
3,877,644 4/1975 Cockman 239/222.17

FOREIGN PATENT DOCUMENTS

WO92 220453 11/1992 WIPO .

Primary Examiner—Alan P. Douglas
Assistant Examiner—Robin V. Taylor
Attorney, Agent, or Firm—Christie, Parker & Hale, LLP

[57] **CLAIM**

The ornamental design for a nozzle head, as shown and described.

DESCRIPTION

FIG. 1 is a rear, side perspective view of a nozzle head showing my new design;
FIG. 2 is a front elevation view thereof;
FIG. 3 is a top elevation view thereof; and,
FIG. 4 is a bottom elevation view thereof.

1 Claim, 2 Drawing Sheets

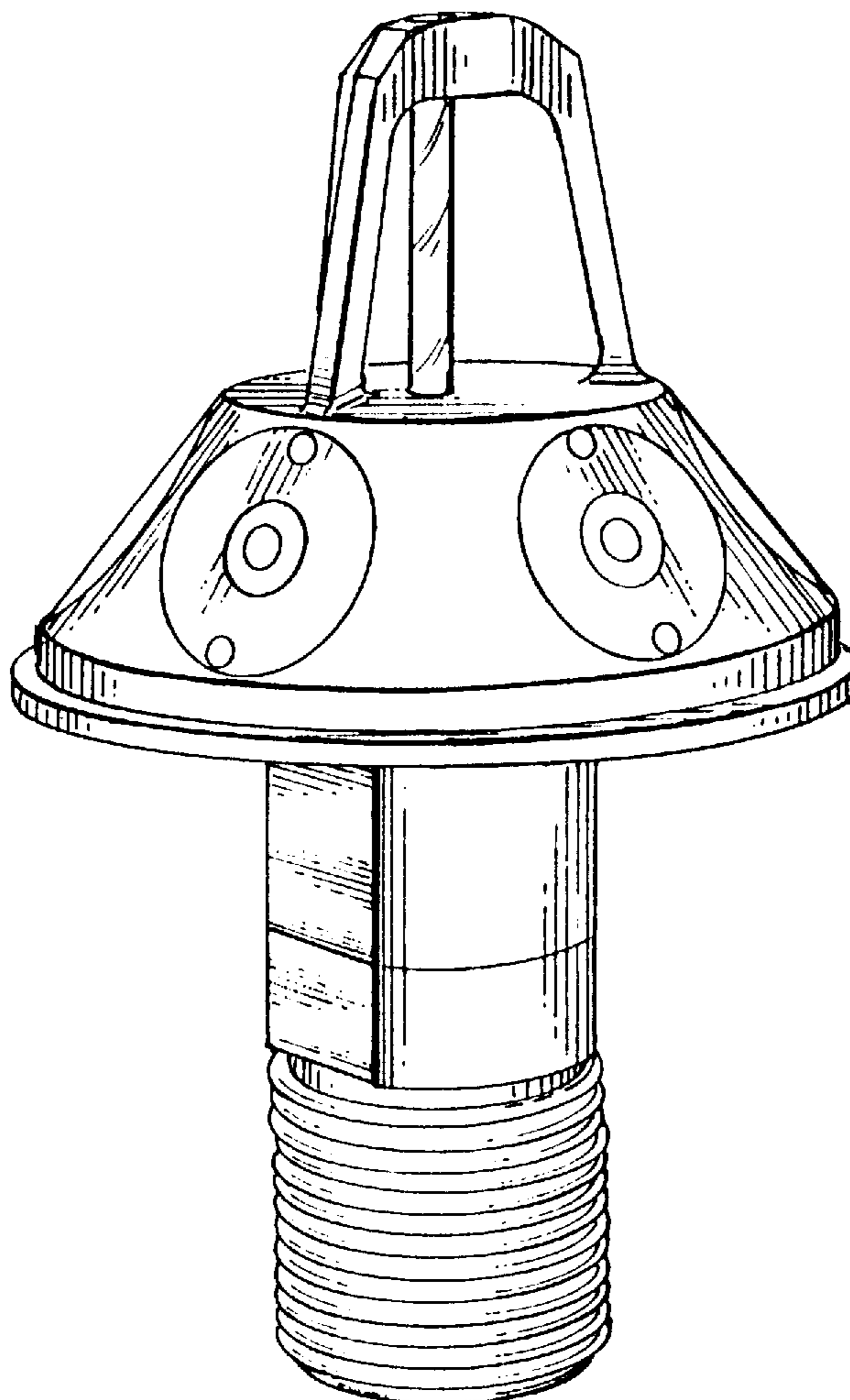


Fig. 1

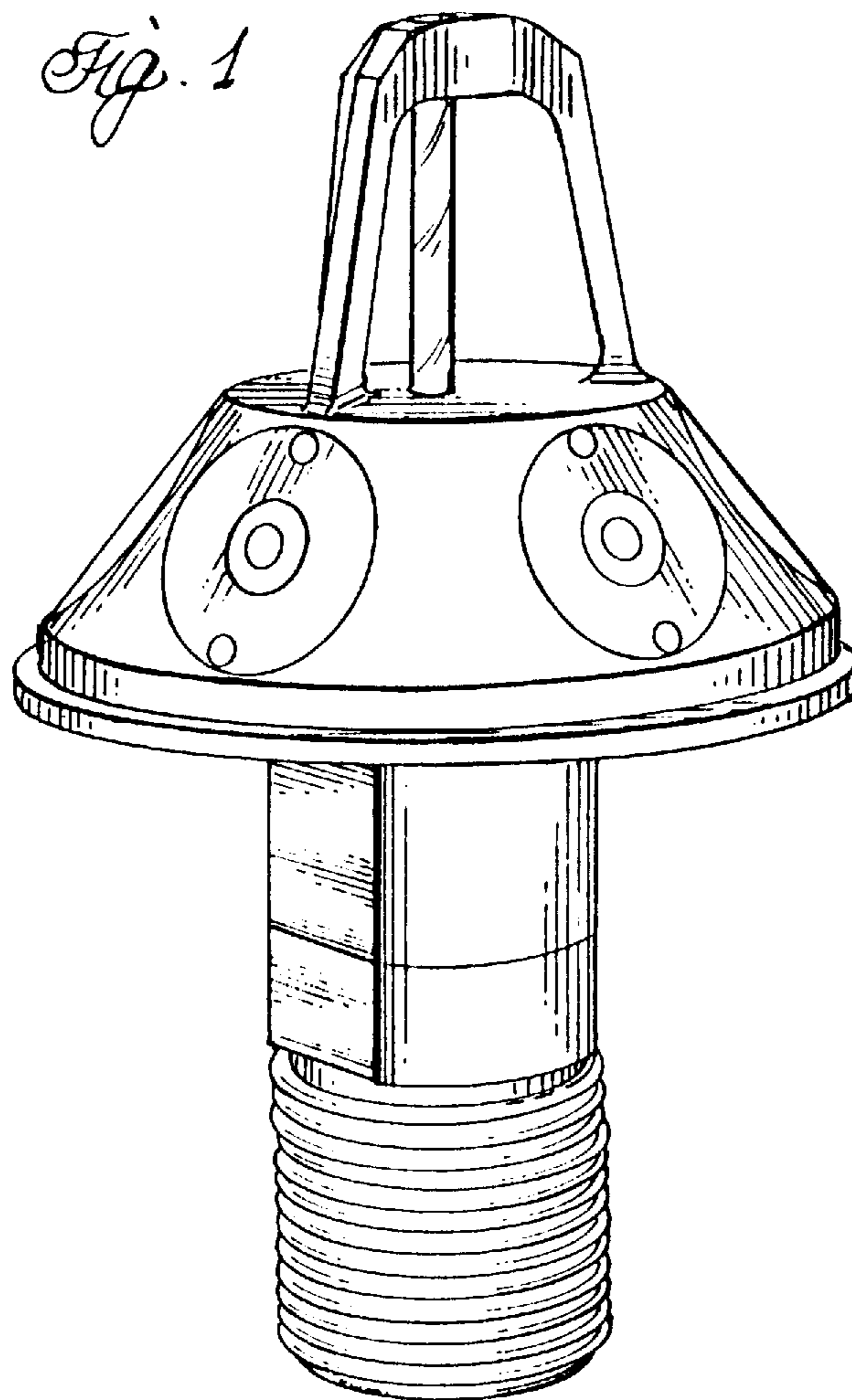


Fig. 2

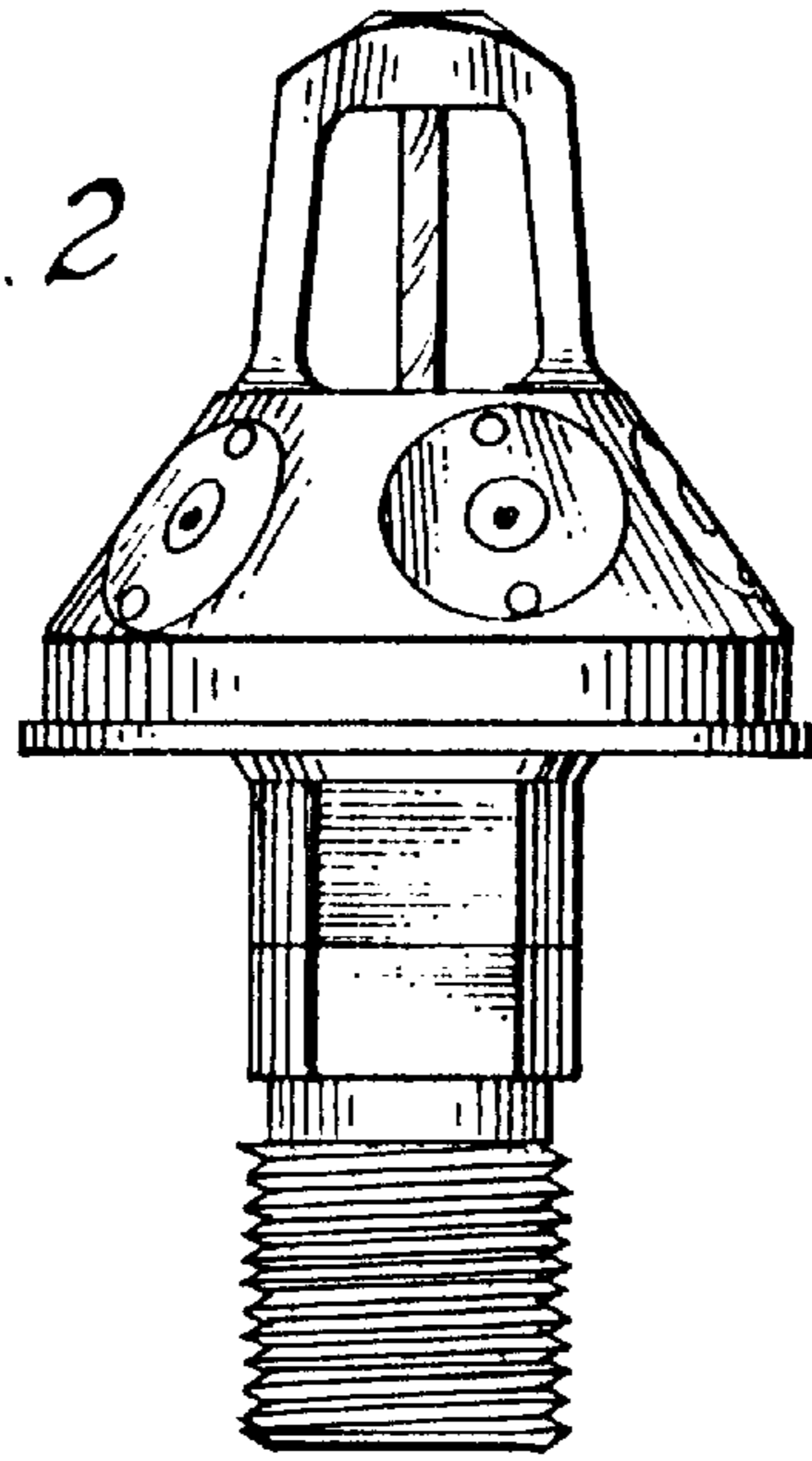


Fig. 3

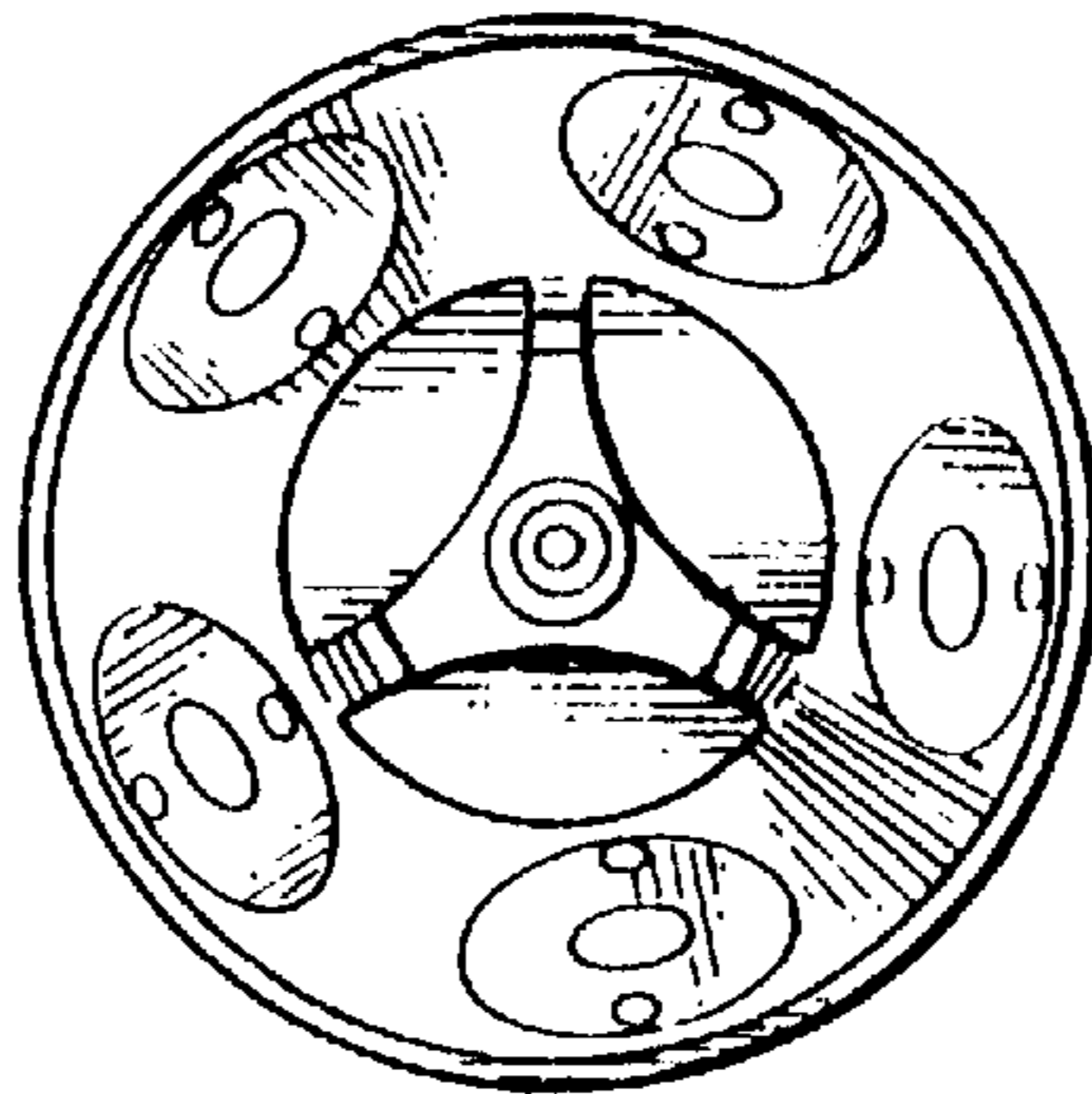


Fig. 4

