



US00D395483S

United States Patent [19]

Maryska

[11] Patent Number: **Des. 395,483**

[45] Date of Patent: ****Jun. 23, 1998**

[54] DESIGN FOR A TARGET

[75] Inventor: **Walter Ludwig Maryska**, Harbord, Australia

[73] Assignee: **Riteflite Pty Limited**, Harbord, Australia

[**] Term: **14 Years**

[21] Appl. No.: **63,388**

[22] Filed: **Dec. 6, 1996**

[30] Foreign Application Priority Data

Jun. 7, 1996 [AU] Australia 1771/96

[51] LOC (6) Cl. **22-04**

[52] U.S. Cl. **D22/114; D22/100; D22/199**

[58] Field of Search D22/100, 114, D22/199; D21/8, 6; 273/348, 362, 363, 364; 446/46, 47, 48; 473/588, 589

[56] References Cited

U.S. PATENT DOCUMENTS

D. 27,787 10/1897 Barton D22/114

393,435	11/1888	Jacobs	273/362
1,227,966	5/1917	Sigafoos	273/362
2,148,063	2/1939	Evans	273/362
2,568,279	9/1951	Franz et al.	273/362 X
2,822,176	2/1958	Robes	473/588

OTHER PUBLICATIONS

Petersen's Hunting, Aug. 1990, p. 66, "Sporting Days", lower corner of ad, Aug. 1990.

Primary Examiner—Louis S. Zarfaz
Assistant Examiner—Monica A. Weingart
Attorney, Agent, or Firm—Banner & Witcoff, Ltd.

[57] CLAIM

The ornamental design for a target, as shown.

DESCRIPTION

FIG. 1 is a perspective view of a target embodying my new design;
FIG. 2 is a plan view thereof;
FIG. 3 is a bottom view thereof;
FIG. 4 is a side view thereof; and,
FIG. 5 is a section view taken generally along the line 5—5 of FIG. 2.

1 Claim, 2 Drawing Sheets

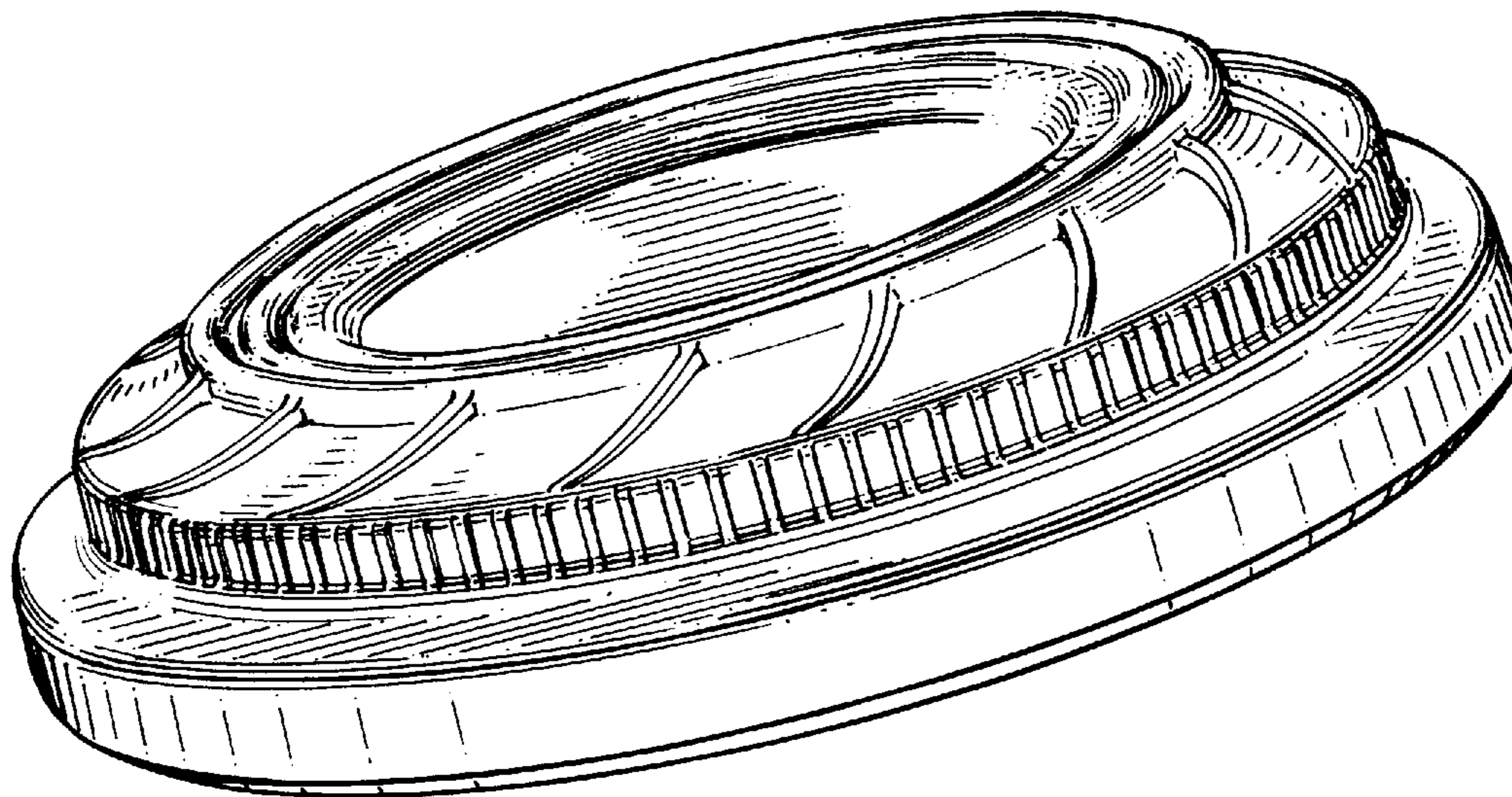


FIG. 1

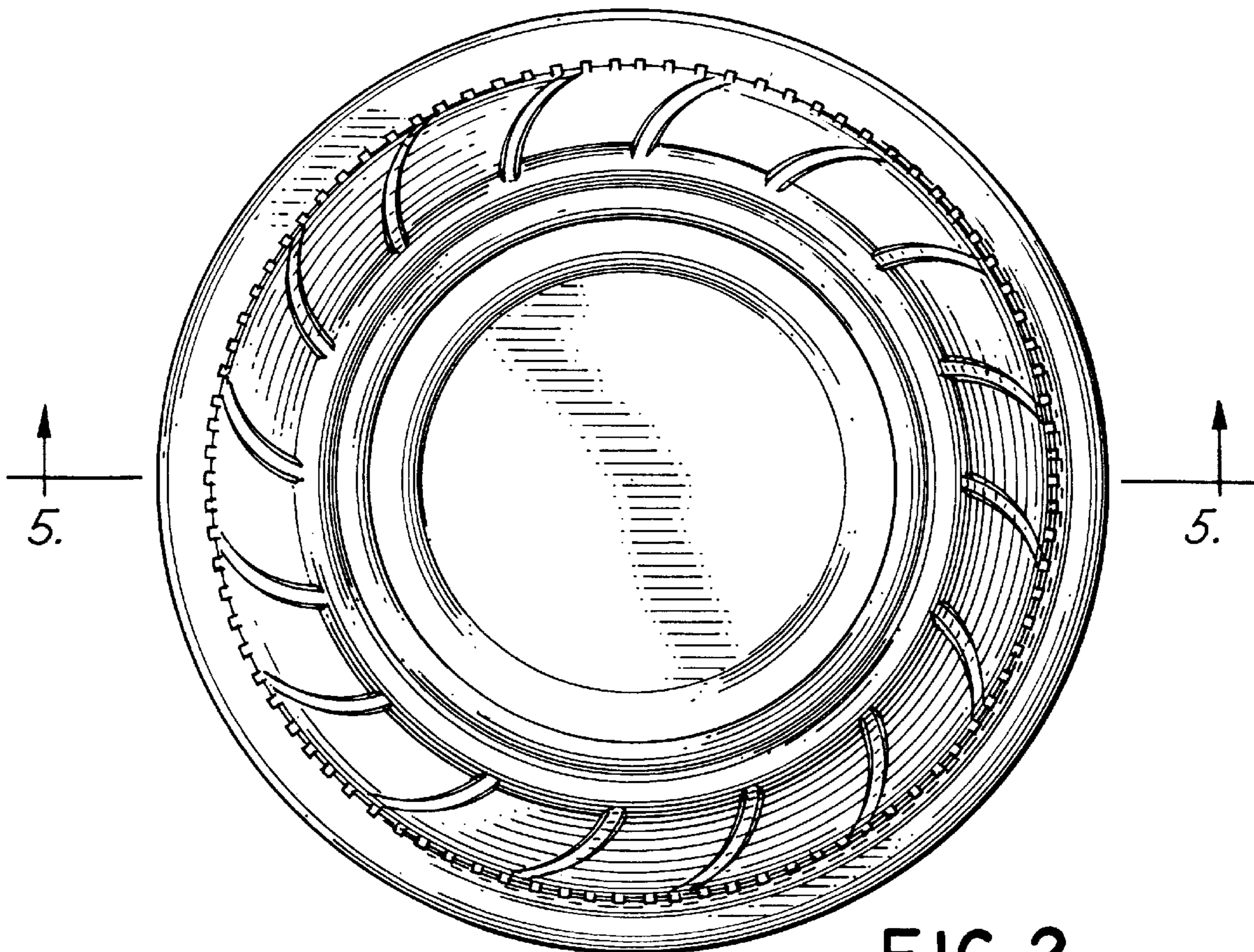
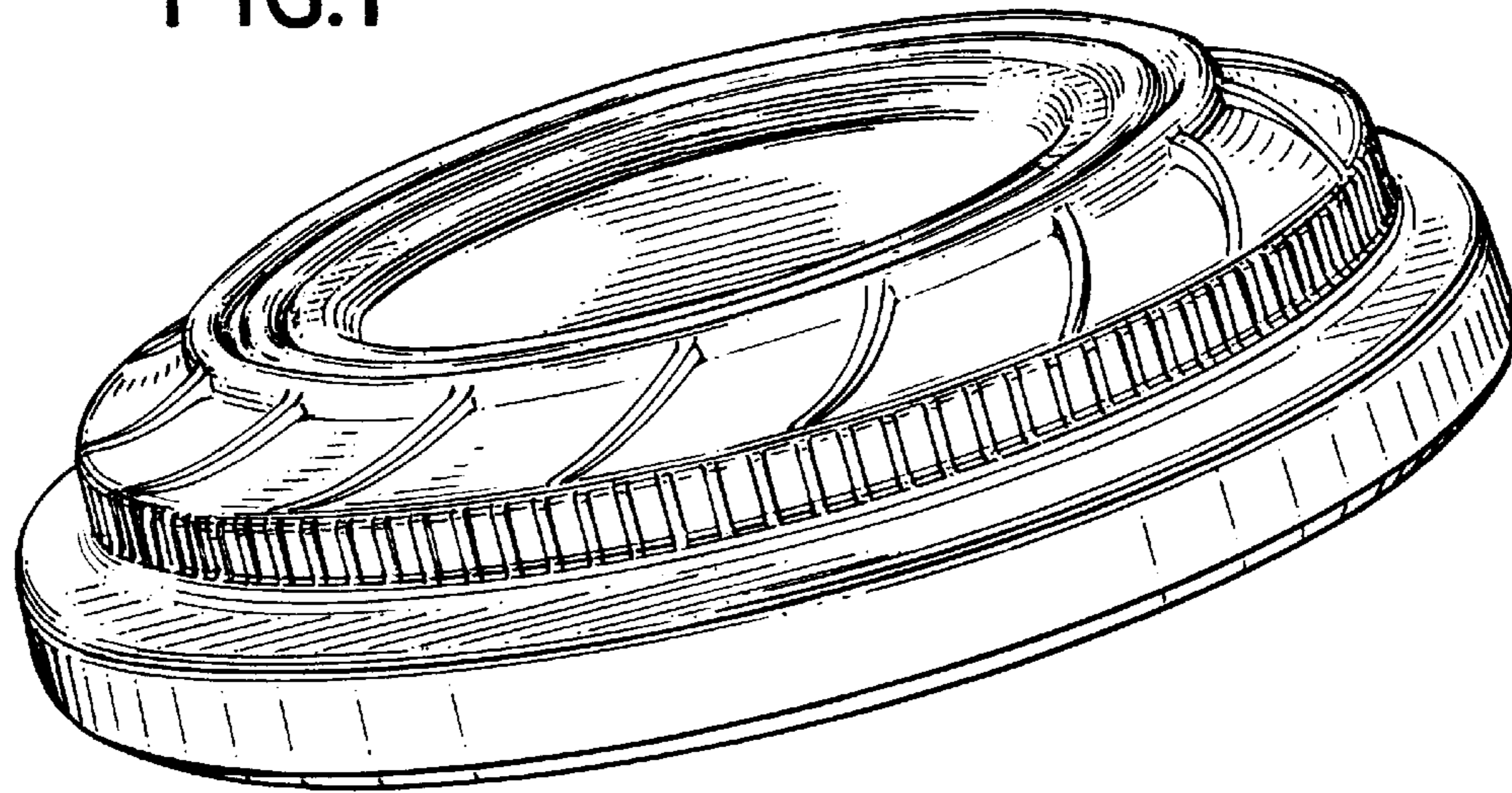


FIG. 2

FIG.3

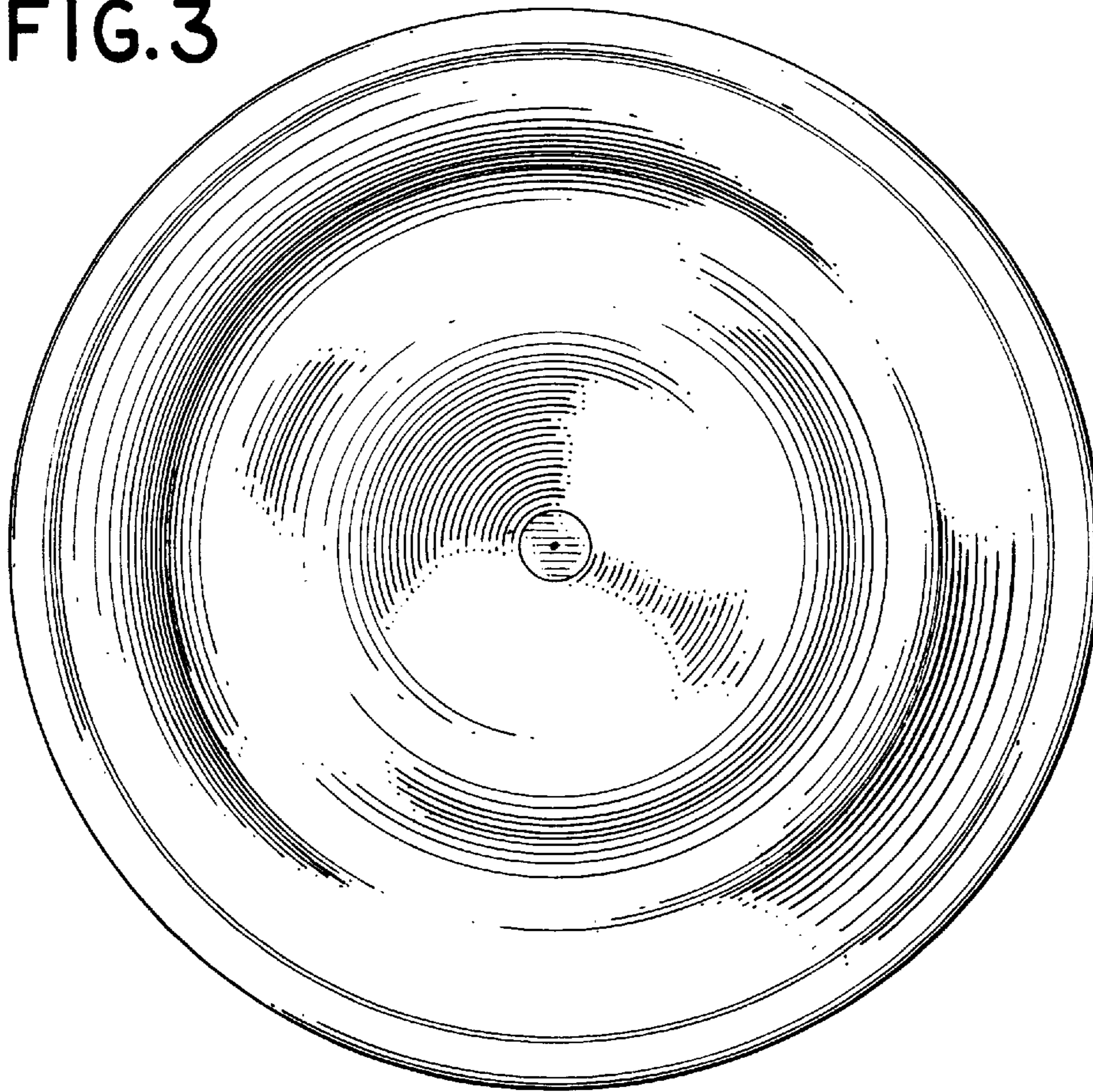


FIG.4

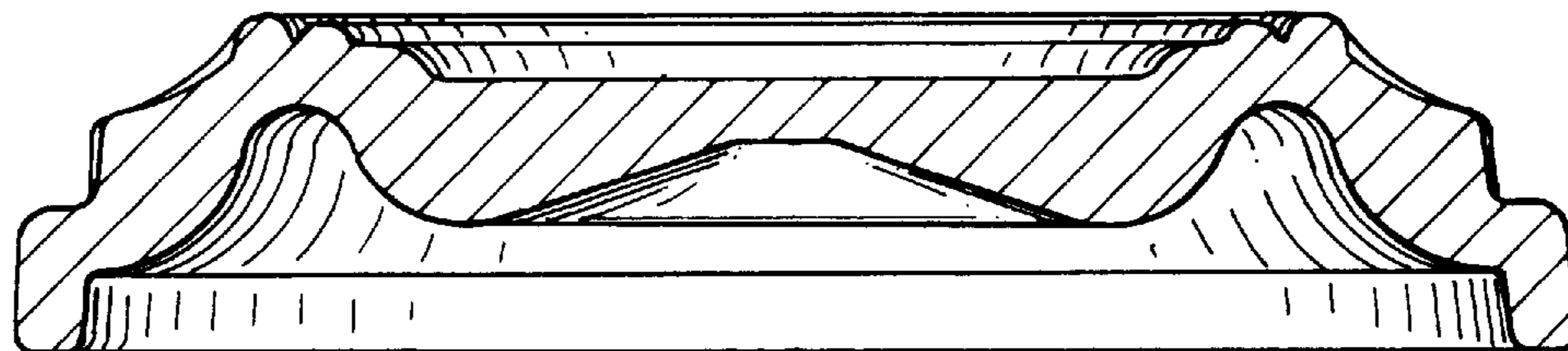
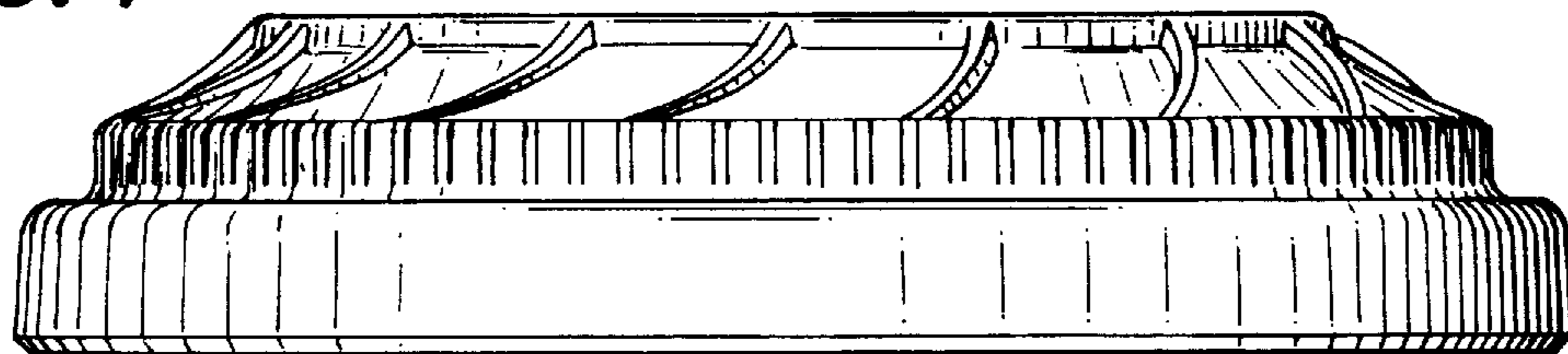


FIG.5