



US00D395476S

United States Patent [19]

Pond et al.

[11] Patent Number: **Des. 395,476**

[45] Date of Patent: ****Jun. 23, 1998**

[54] **GOLF CLUB HEAD HAVING FACE INSERT**

[75] Inventors: **Brian R. Pond**, San Marcos; **Thomas C. Morris**; **Timothy R. Reed**, both of Carlsbad, all of Calif.

[73] Assignee: **Odyssey Golf**, Carlsbad, Calif.

[**] Term: **14 Years**

[21] Appl. No.: **65,157**

[22] Filed: **Jan. 22, 1997**

[51] **LOC (6) Cl.** **21-02**

[52] **U.S. Cl.** **D21/220**

[58] **Field of Search** D21/220, 221;
473/350, 330, 331, 327, 328

5,380,004	1/1995	Teramoto et al. .
5,398,929	3/1995	Kitaichi .
5,403,007	4/1995	Chen .
5,423,535	6/1995	Shaw et al. .
5,447,311	9/1995	Viollaz et al. .
5,472,201	12/1995	Aizawa et al. .
5,643,103	7/1997	Aizawa 473/350 X

OTHER PUBLICATIONS

Golf Day; p. 6; Honors iron, middle right of page, Jul. 1994.

Primary Examiner—Ted Shooman

Assistant Examiner—Mitchell I. Siegel

Attorney, Agent, or Firm—Joseph H. Lee

[57] CLAIM

The ornamental design for a golf club head having face insert, as shown and described.

DESCRIPTION

FIG. 1 is a perspective view of a golf club head having face insert embodying our new design;

FIG. 2 is a top plan view of the golf club head having face insert shown in FIG. 1;

FIG. 3 is a front elevational view of the golf club head having face insert shown in FIG. 1;

FIG. 4 is a bottom plan view of the golf club head having face insert shown in FIG. 1;

FIG. 5 is a rear elevational view of the golf club head having face insert shown in FIG. 1;

FIG. 6 is a toe end view of the golf club head having face insert shown in FIG. 1; and,

FIG. 7 is a heel end view of a golf club head having face insert shown in FIG. 1.

The characteristic feature of our design resides in a particular shape for the outer profile of the face insert for a golf club head, as shown.

1 Claim, 2 Drawing Sheets

[56] References Cited

U.S. PATENT DOCUMENTS

D. 27,190	6/1897	Cran .	
D. 55,278	5/1920	Kraeuter	D21/220
D. 196,098	8/1963	Davis, Jr.	D21/220
D. 210,033	1/1968	Johnston	D21/220
D. 228,564	10/1973	Braly	D21/220
D. 257,736	12/1980	Lyon et al.	D21/220
D. 357,520	4/1995	Helmstetter et al. .	
D. 360,445	7/1995	Schmidt et al. .	
D. 376,632	12/1996	Simmons .	
835,735	11/1906	Robertson	473/350
2,034,936	3/1936	Barnhart .	
2,846,228	8/1958	Reach .	
3,079,157	2/1963	Turner	473/350 X
4,884,812	12/1989	Nagaski et al. .	
5,016,883	5/1991	Kobayashi .	
5,078,397	1/1992	Aizawa .	
5,154,425	10/1992	Niskanen et al. .	
5,176,384	1/1993	Sata et al. .	
5,198,062	3/1993	Chen .	

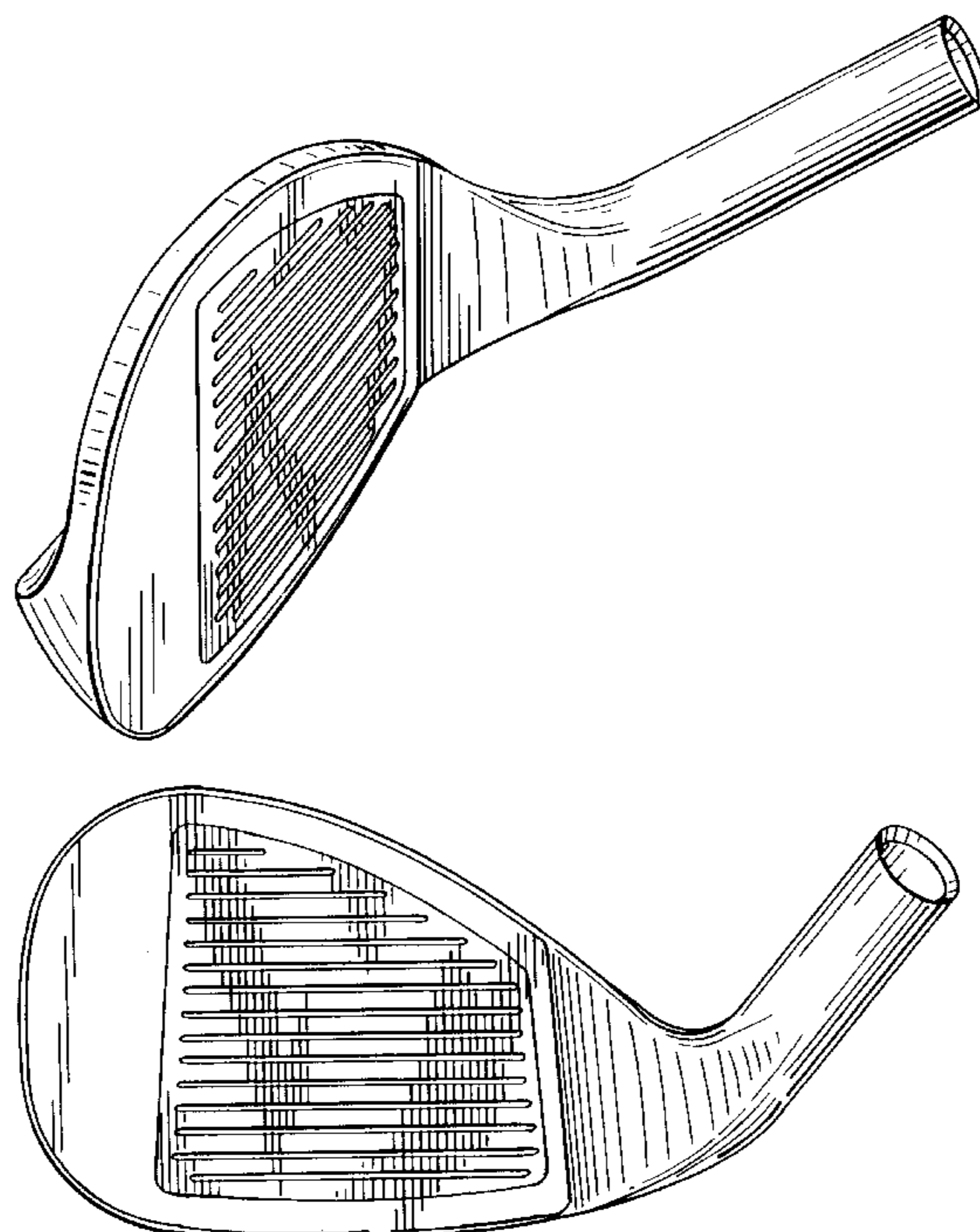


FIG. 1

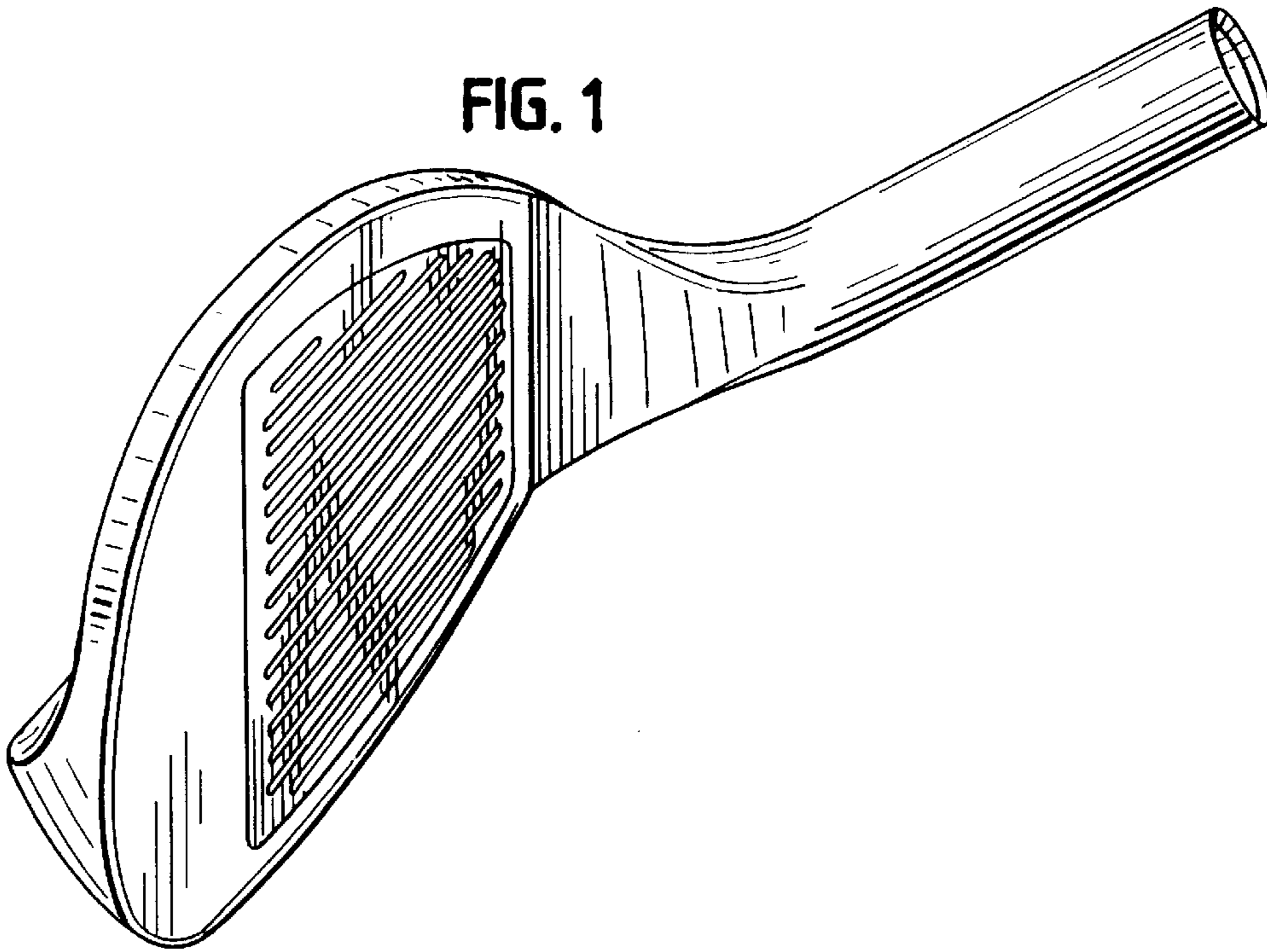


FIG. 2

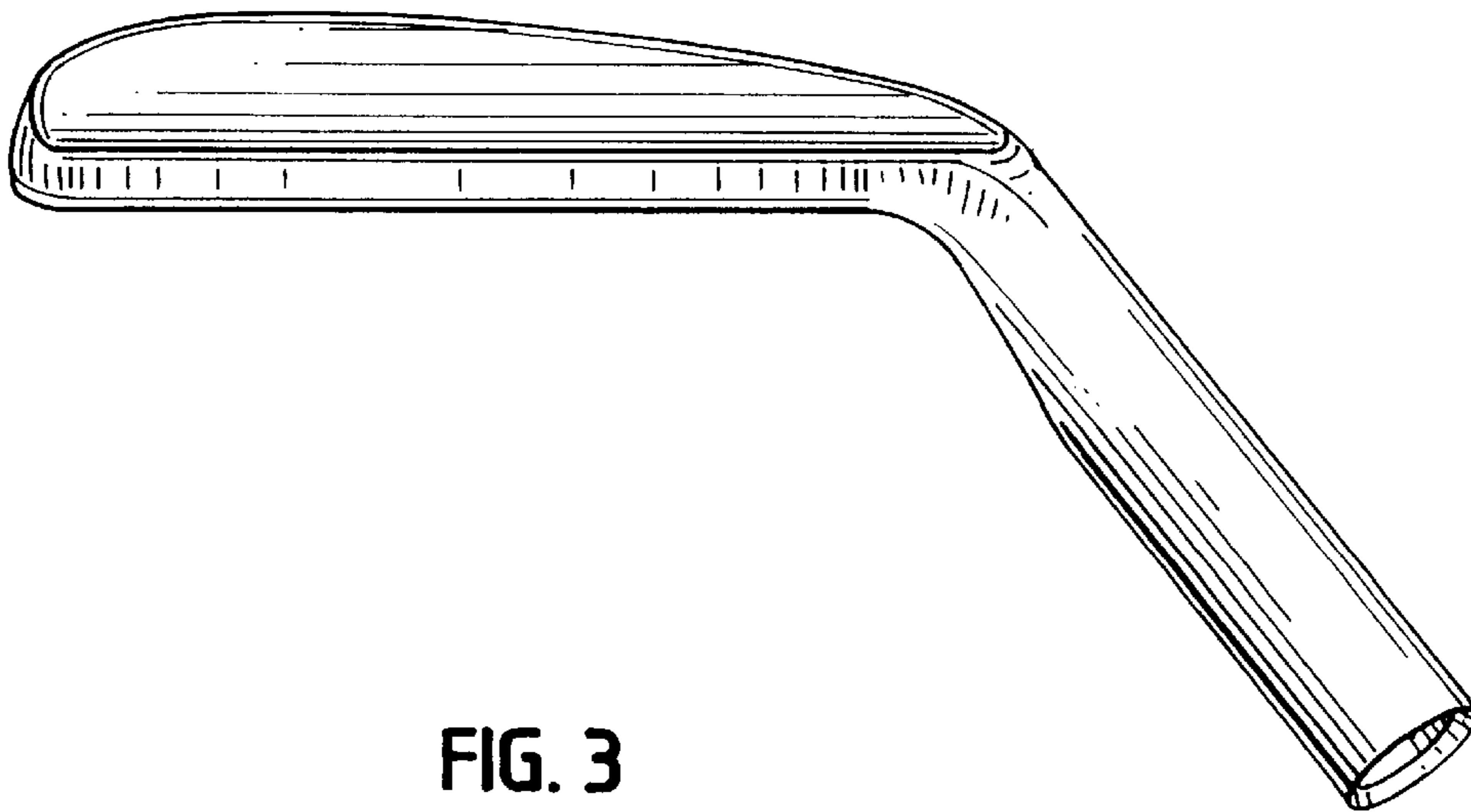


FIG. 3

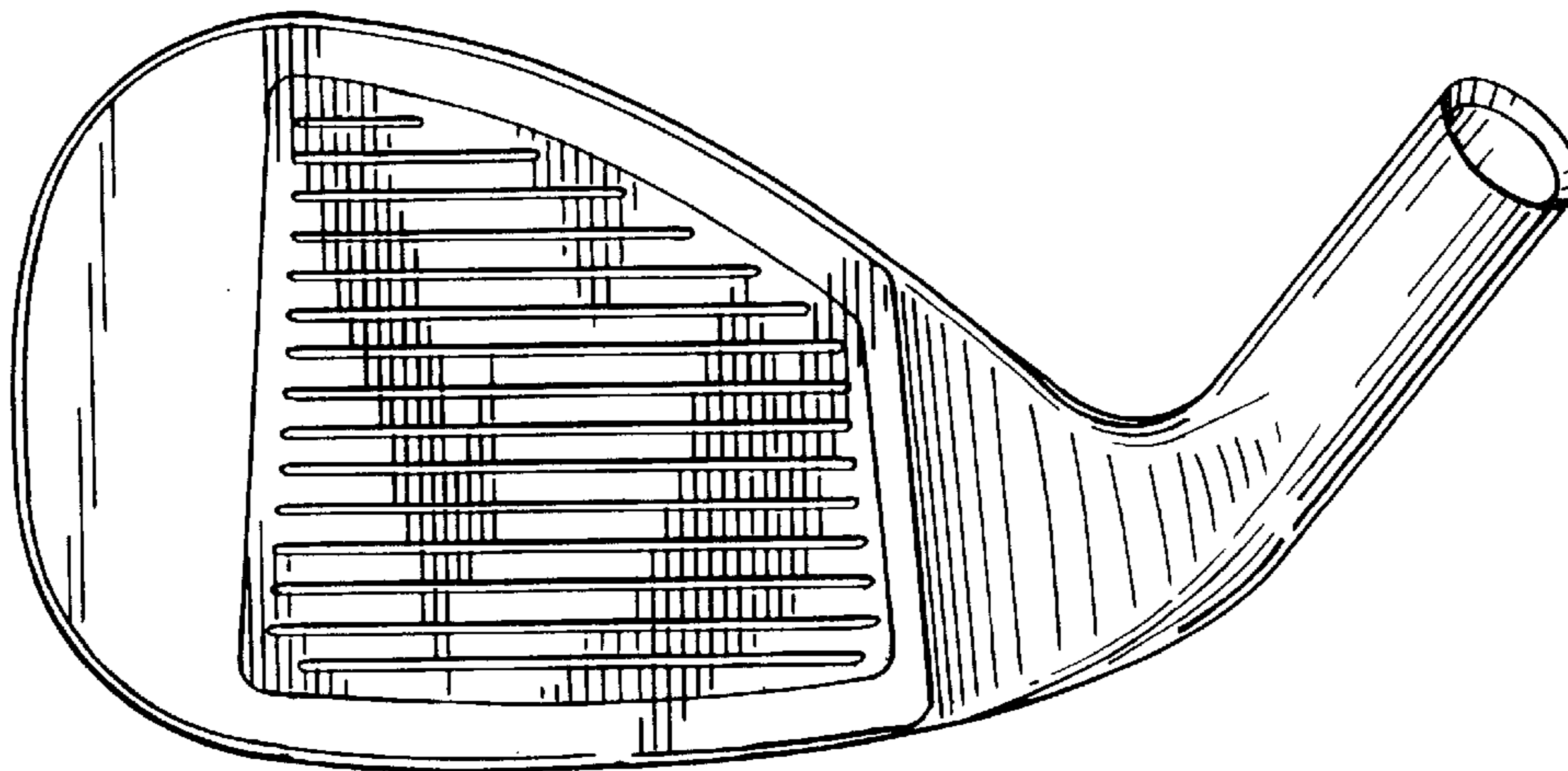


FIG. 4

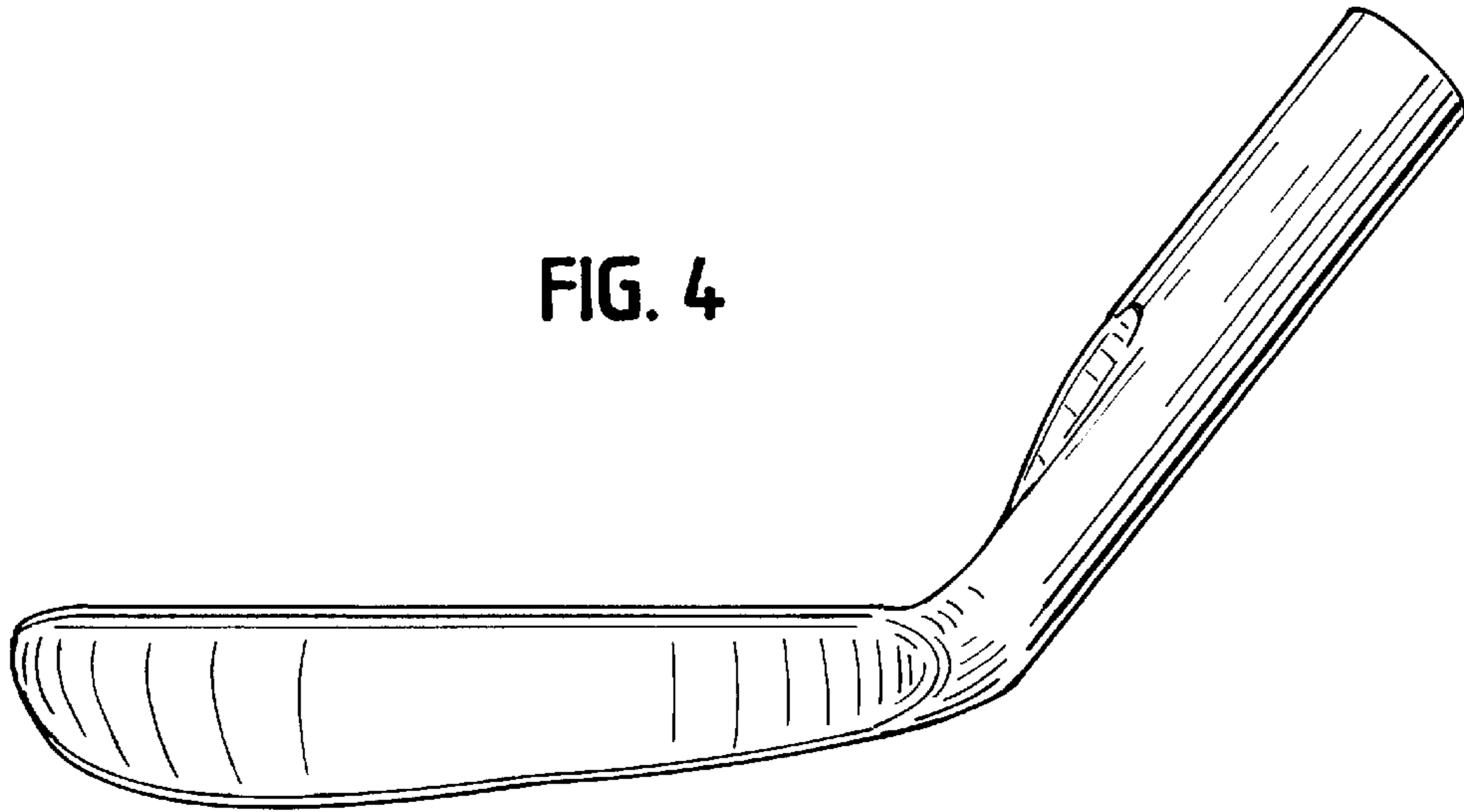


FIG. 5

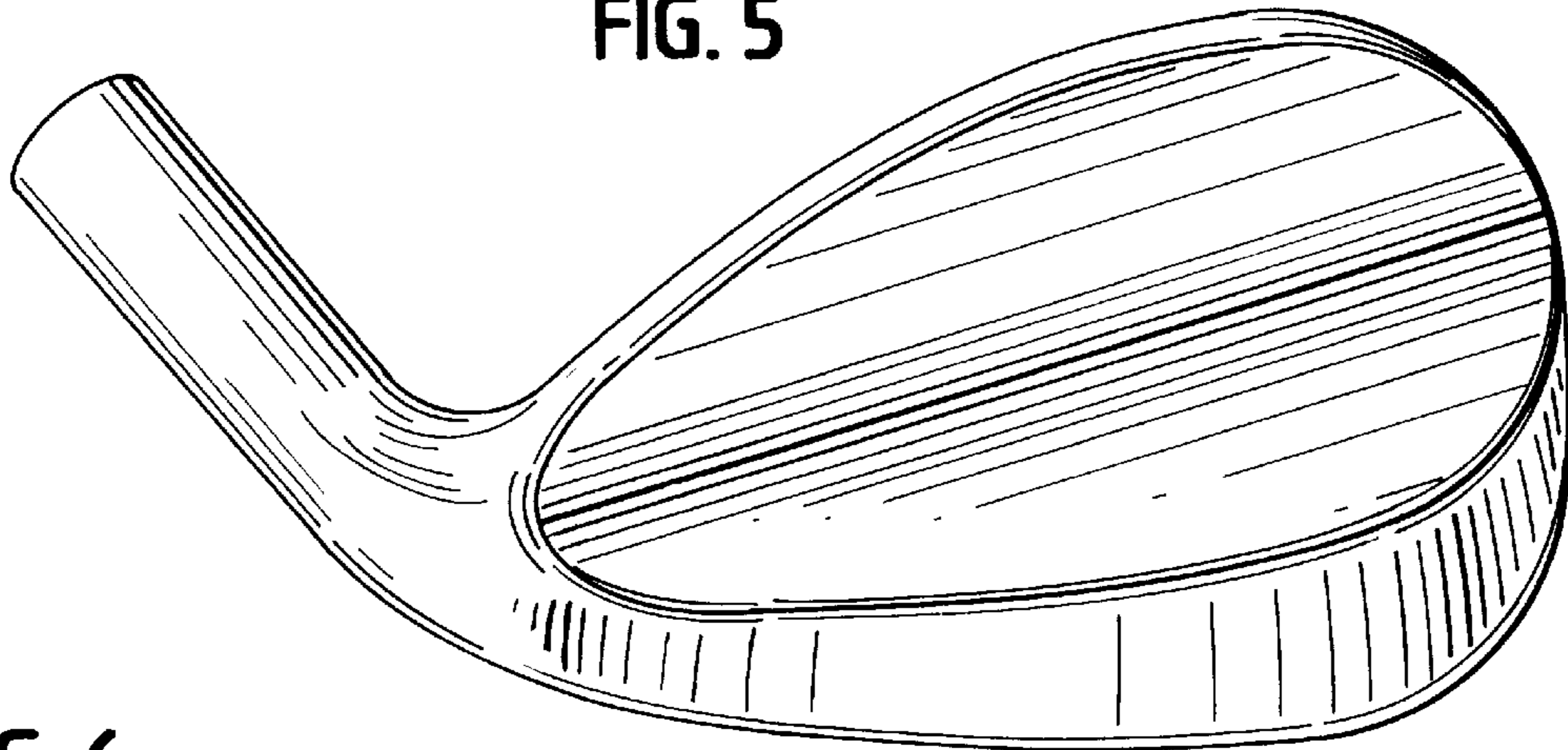


FIG. 6

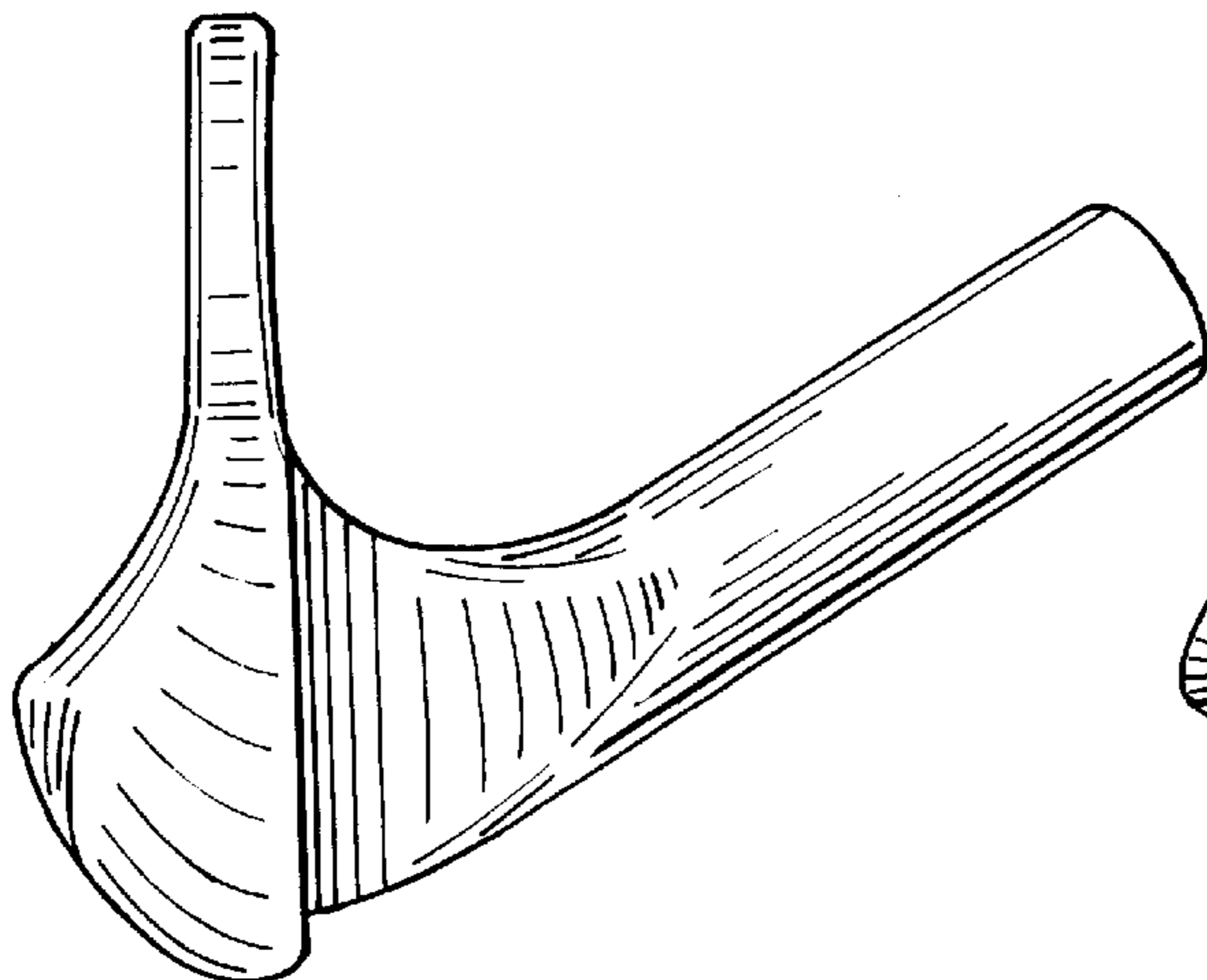


FIG. 7

