



US00D395471S

# United States Patent [19] Knight

[11] **Patent Number: Des. 395,471**

[45] **Date of Patent: \*\*Jun. 23, 1998**

[54] **TOY CLOCK AND RADIO**

[75] Inventor: **Elizabeth Knight**, Westwood, Mass.

[73] Assignee: **The Little Tikes Company**, Hudson, Ohio

[\*\*] Term: **14 Years**

[21] Appl. No.: **49,233**

[22] Filed: **Jan. 22, 1996**

[51] **LOC (6) Cl. .... 21-01**

[52] **U.S. Cl. .... D21/113; D21/144**

[58] **Field of Search .... D21/59, 64, 111, D21/112, 113, 144; D10/1, 2, 22; D14/165, 167, 168, 170; 446/397, 408; 455/344, 347, 351**

[56] **References Cited**

**U.S. PATENT DOCUMENTS**

D. 318,471	7/1991	Wada	.....	D14/170
D. 327,305	6/1992	Rieser	.....	D21/144
D. 342,520	12/1993	Totsuka	.....	D10/2
D. 368,937	4/1996	Aker et al.	.....	D21/112
D. 369,603	5/1996	Segan et al.	.....	D21/112
D. 378,819	4/1997	Yuen	.....	D10/2

**OTHER PUBLICATIONS**

Pp. 5 and 6, Clocks and radios; KID Designs, Inc., Harbor-side Financial Center, 400 Plaza Two, Jersey City, New Jersey 07311-3962. Publication date 1994.

Package, Clock Radio; KID Designs, Inc., Harborside Financial Center, 400 Plaza Two, Jersey City, New Jersey 07311-3962. Published at least as early as 1995.

Package, Clock; Playskool, a Division of Hasbro, Inc., Pawtucket, Rhode Island 02862. Publication date 1995.

*Primary Examiner*—Raphael Barkai  
*Attorney, Agent, or Firm*—Richard B. O’Planick; Lisa B. Piedesel

[57] **CLAIM**

The ornamental design for a toy clock and radio, as shown and described.

**DESCRIPTION**

FIG. 1 is a top left front perspective view of a toy clock and radio showing my new design;

FIG. 2 is a front elevational view thereof;

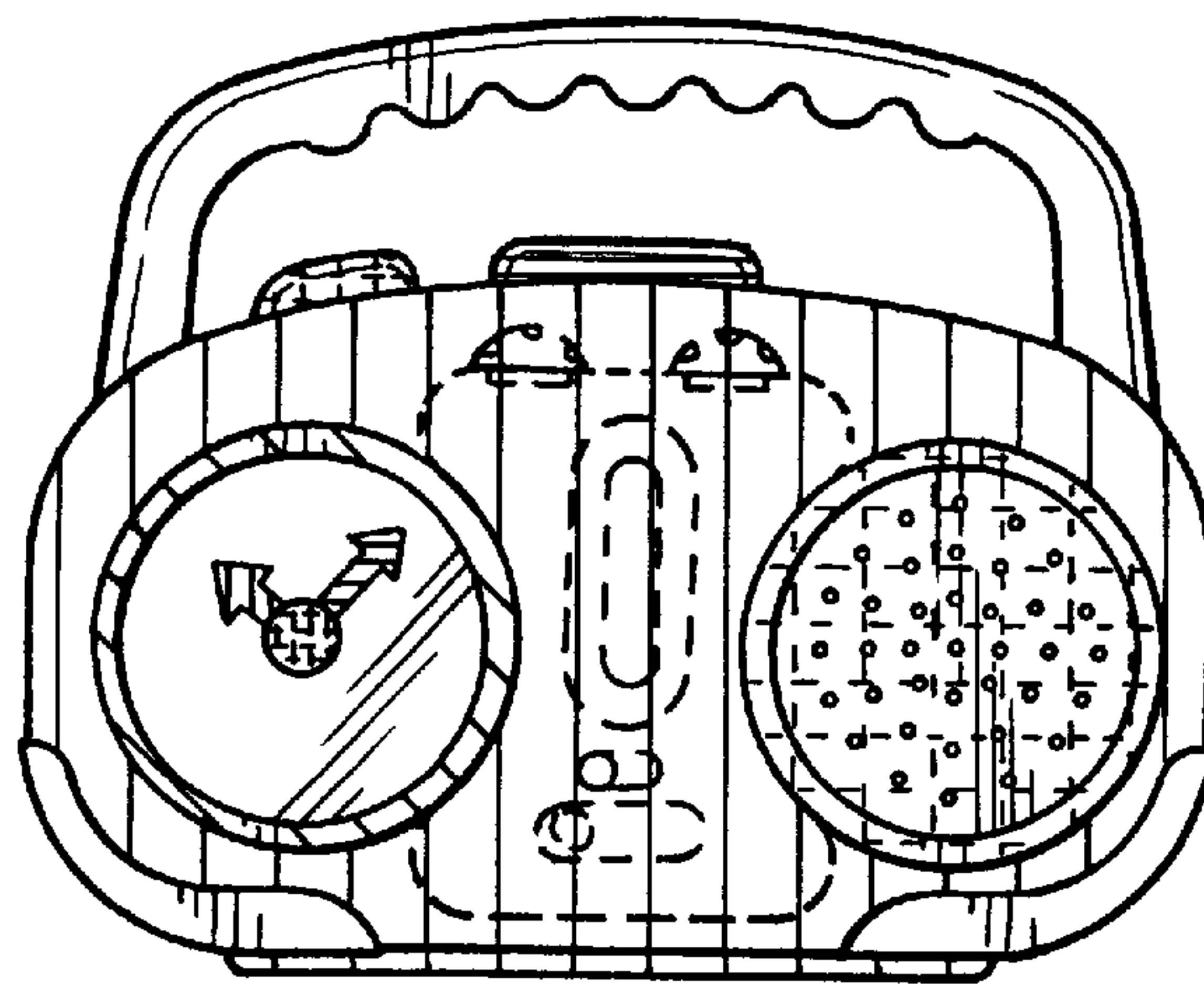
FIG. 3 is a rear elevational view thereof;

FIG. 4 is a top plan view thereof; and,

FIG. 5 is a right side elevational view thereof.

The broken line showing is environmental only and forms no part of the claimed design.

**1 Claim, 2 Drawing Sheets**



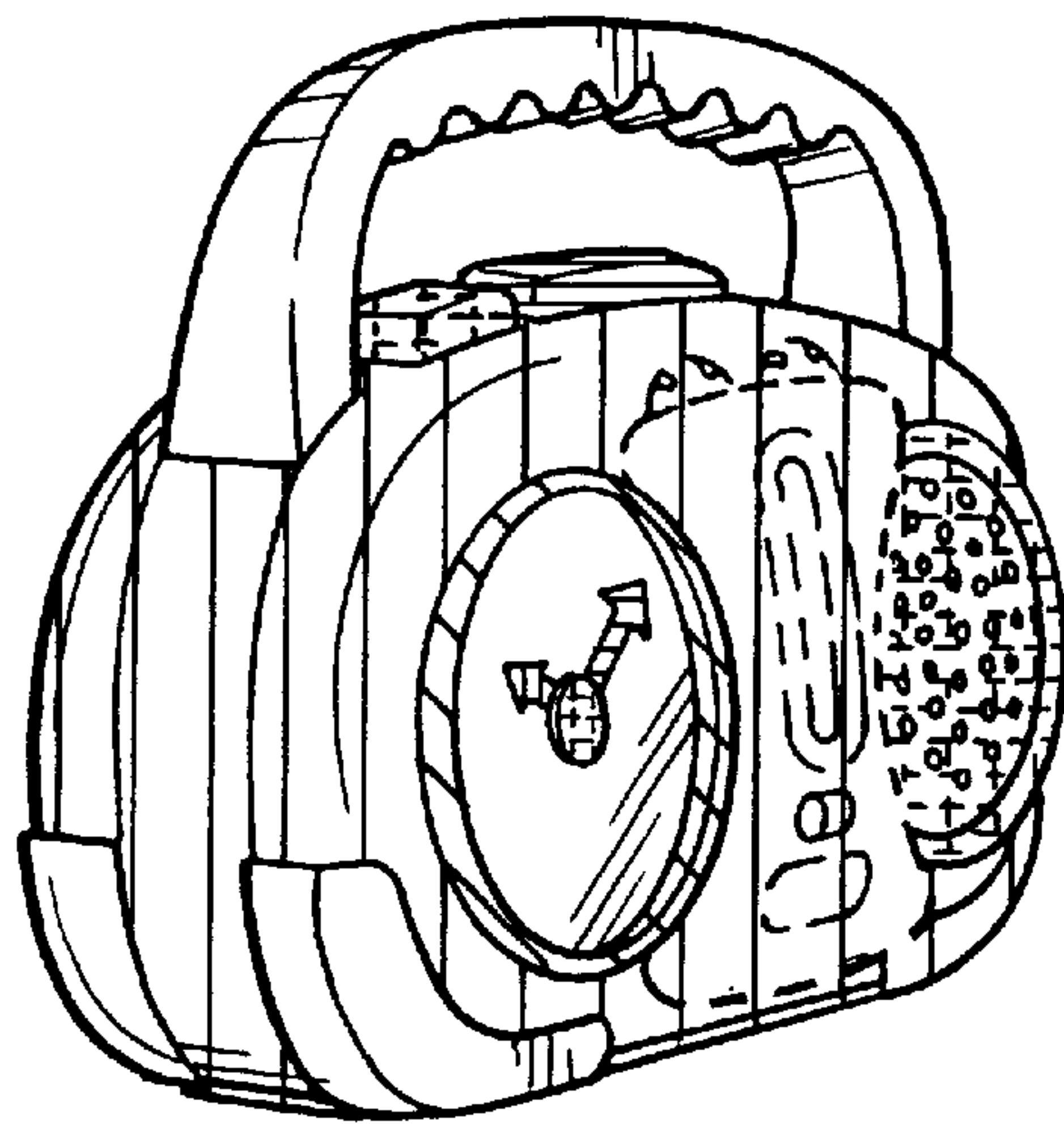


Fig - 1

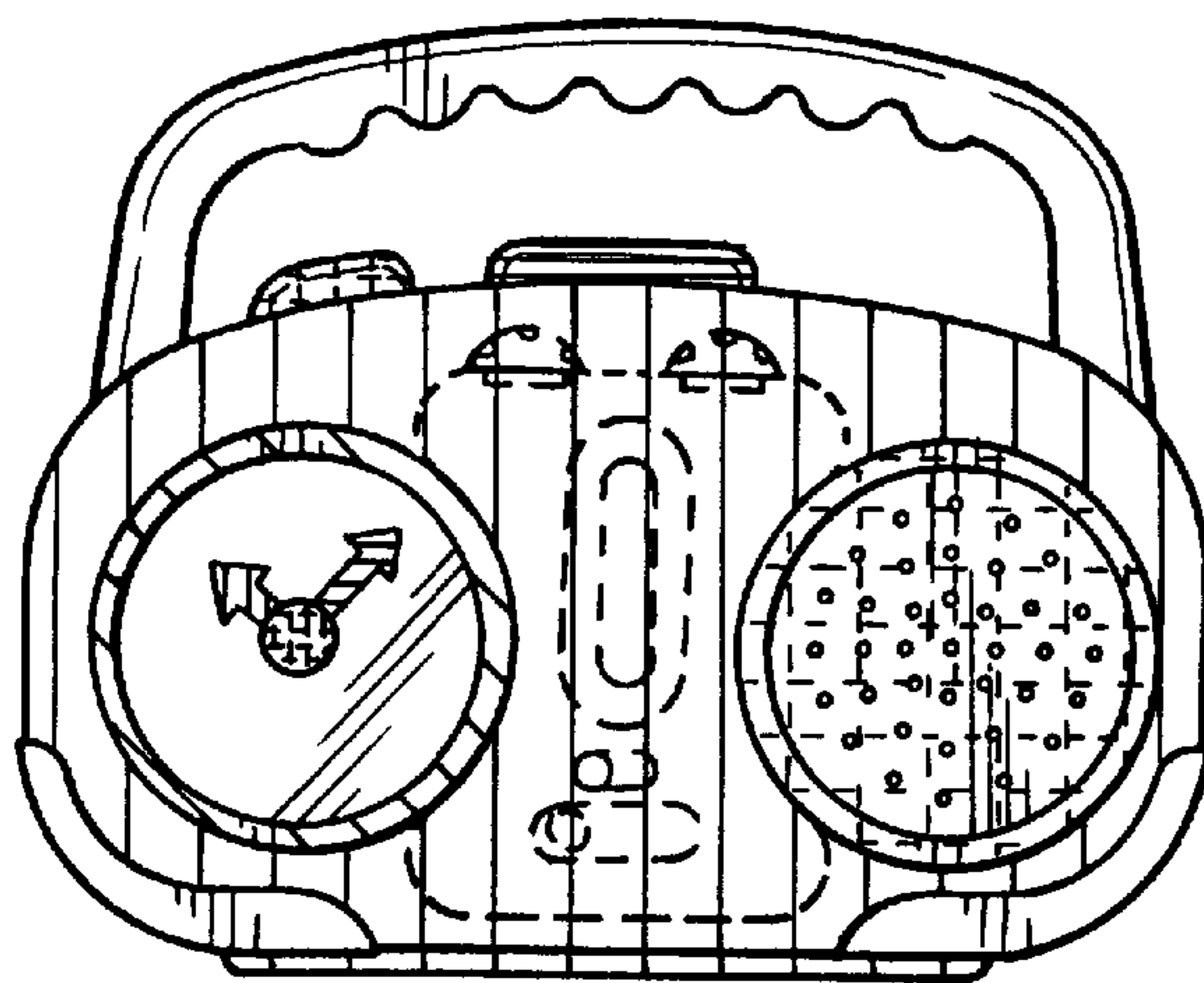


Fig-2

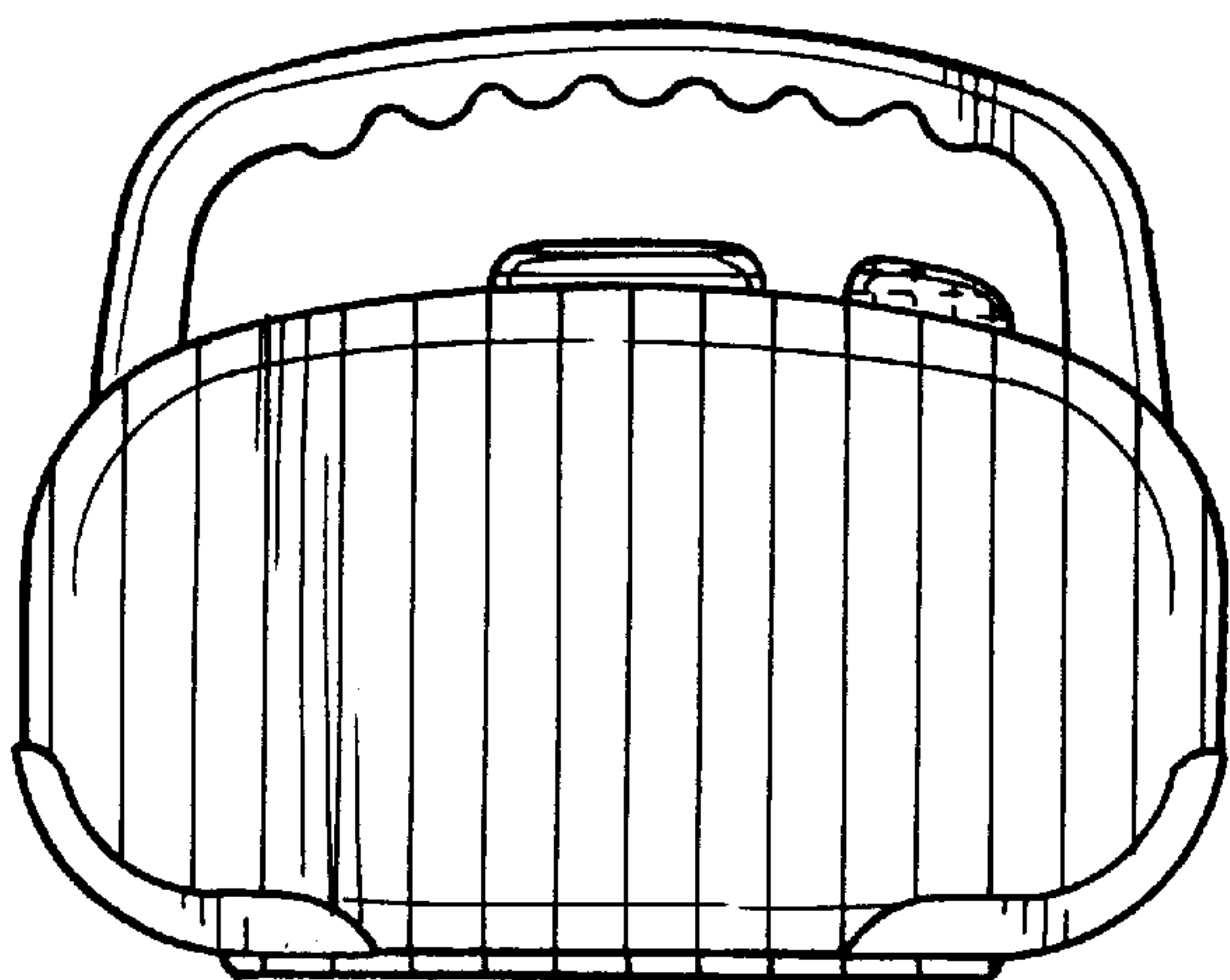


Fig - 3

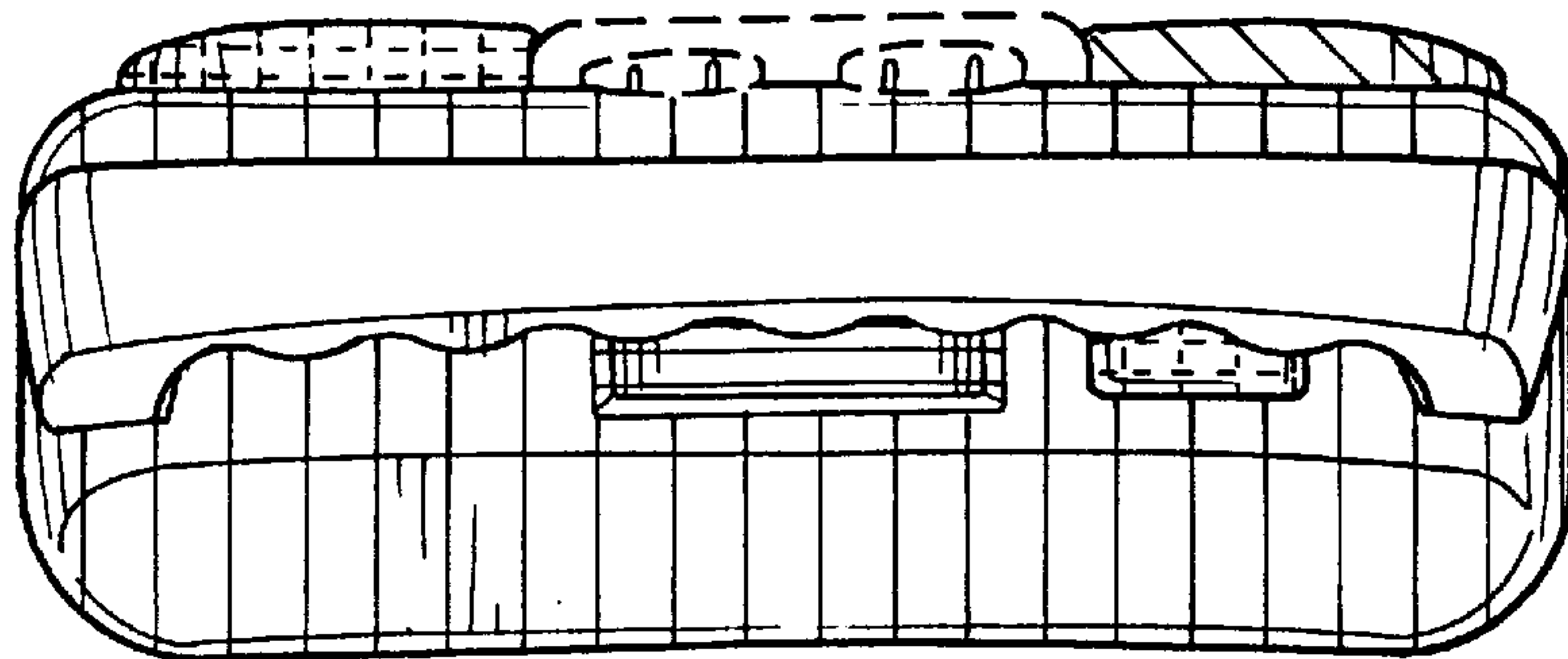


Fig - 4

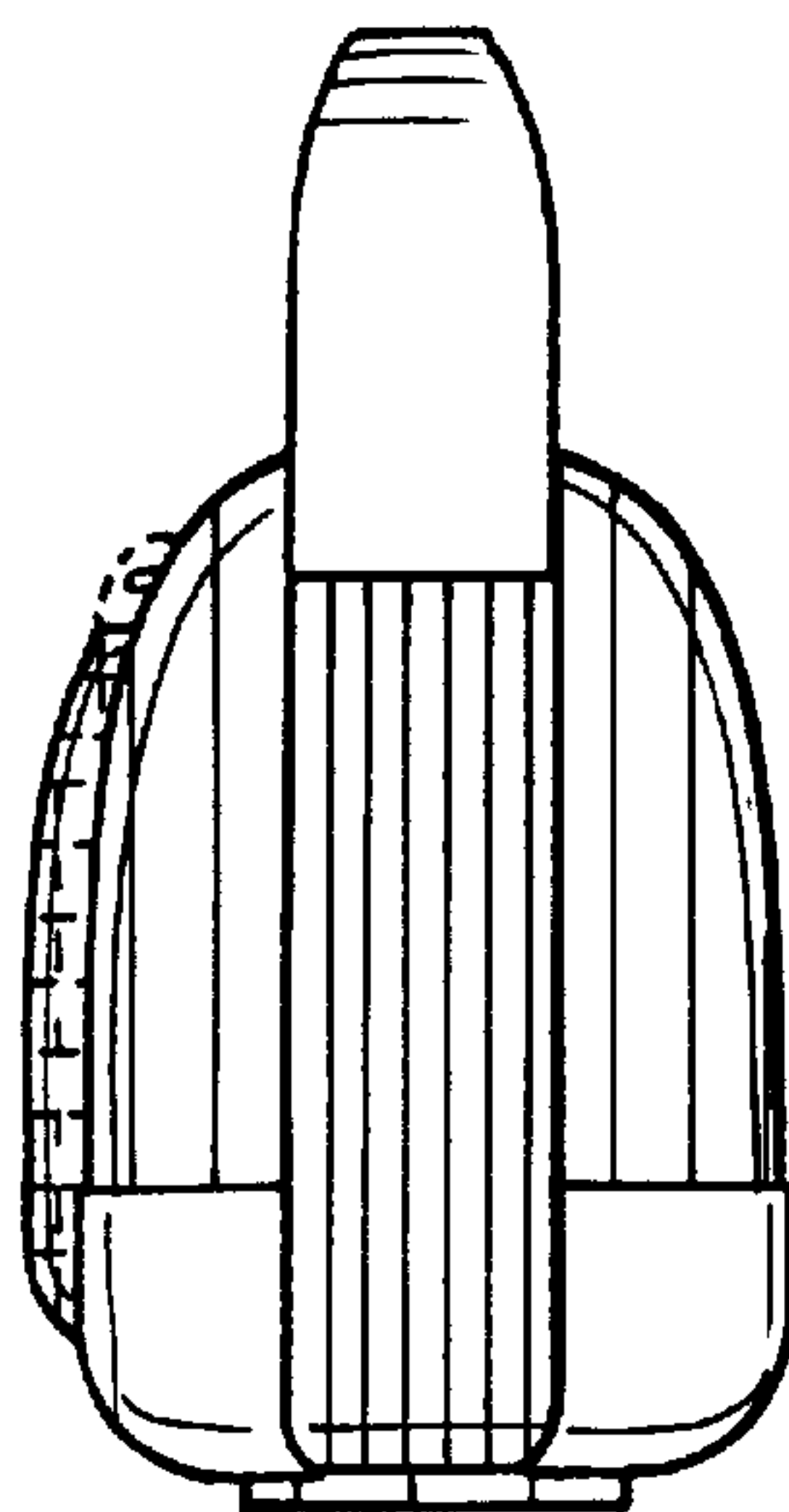


Fig - 5