



US00D395470S

# United States Patent [19]

Rahbek

[11] Patent Number: **Des. 395,470**

[45] Date of Patent: **\*\*Jun. 23, 1998**

[54] **TOY BUILDING ELEMENT**

[75] Inventor: **Helle Rahbek**, Vibbjerg, Denmark

[73] Assignee: **INTERLEGO AG**, Baar, Switzerland

[\*\*] Term: **14 Years**

[21] Appl. No.: **76,731**

[22] Filed: **Sep. 18, 1997**

[51] **LOC (6) Cl.** ..... **21-01**

[52] **U.S. Cl.** ..... **D21/108; D21/141**

[58] **Field of Search** ..... D21/108, 109, D21/124, 125, 134, 136, 141; 446/103, 93, 97, 105, 106, 110, 115, 120, 121, 124, 125, 126, 128, 479, 487, 471; 434/401

[56] **References Cited**

**U.S. PATENT DOCUMENTS**

- D. 282,677 2/1986 Arigaya ..... D21/141
- D. 287,519 12/1986 Takahashi ..... D21/108
- D. 295,644 5/1988 Takehashi ..... D21/141

- D. 305,442 1/1990 Knudsen ..... D21/108
- D. 311,942 11/1990 Dideriksen ..... D21/141
- D. 362,875 10/1995 Yognsen ..... D21/108
- D. 375,331 11/1996 Pagel ..... D21/108

*Primary Examiner*—Raphael Barkai  
*Attorney, Agent, or Firm*—Kane, Dalsimer, Sullivan, Kurucz, Levy, Eisele and Richard, LLP

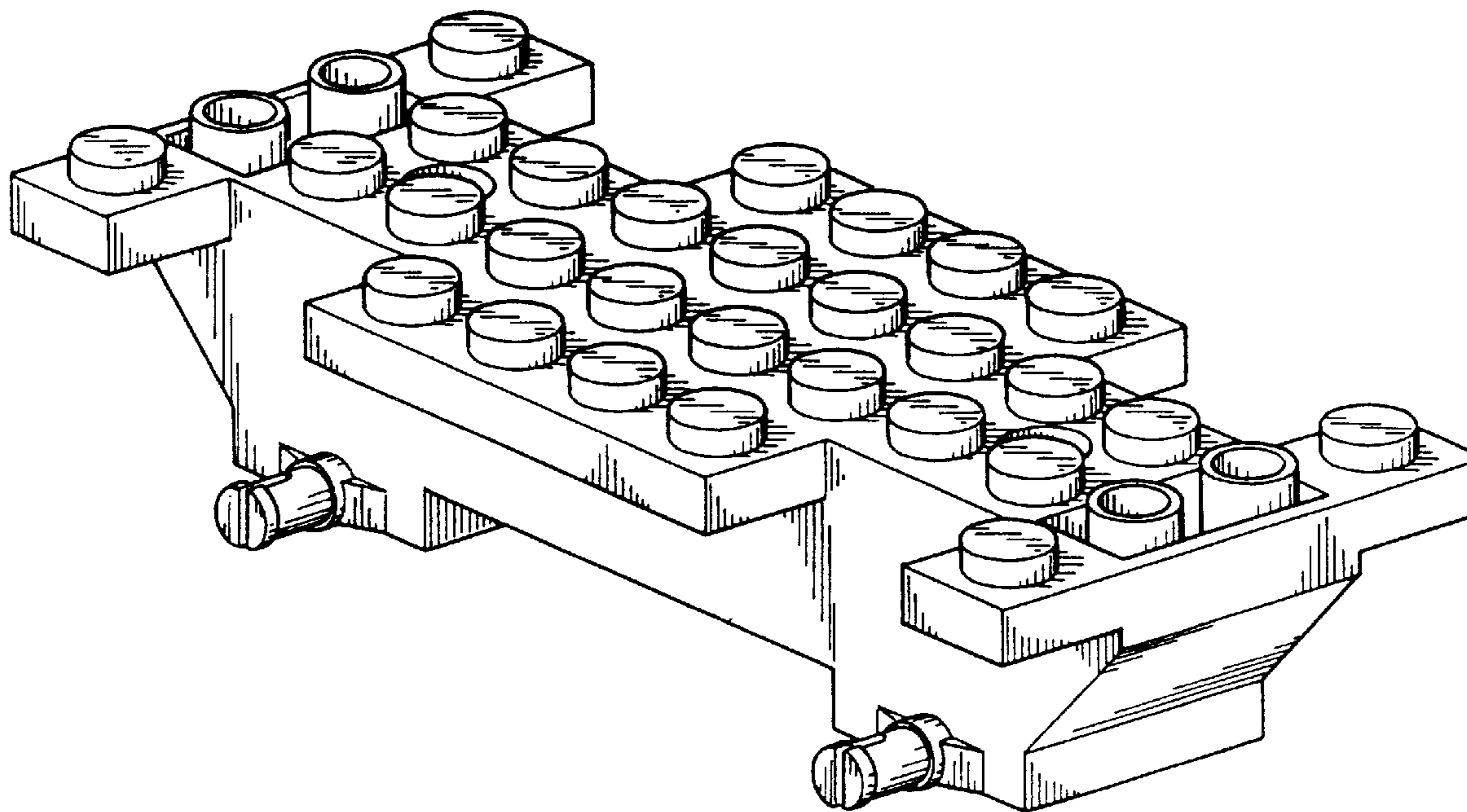
[57] **CLAIM**

The ornamental design for a toy building element, as shown and described.

**DESCRIPTION**

FIG. 1 is a top perspective view of the toy building element; FIG. 2 is a bottom perspective view thereof; FIG. 3 is a front elevational view thereof; FIG. 4 is a right side elevational view thereof; FIG. 5 is a left side elevational view thereof; FIG. 6 is a rear elevational view thereof; FIG. 7 is a bottom plan view thereof; and, FIG. 8 is a top plan view thereof.

**1 Claim, 2 Drawing Sheets**



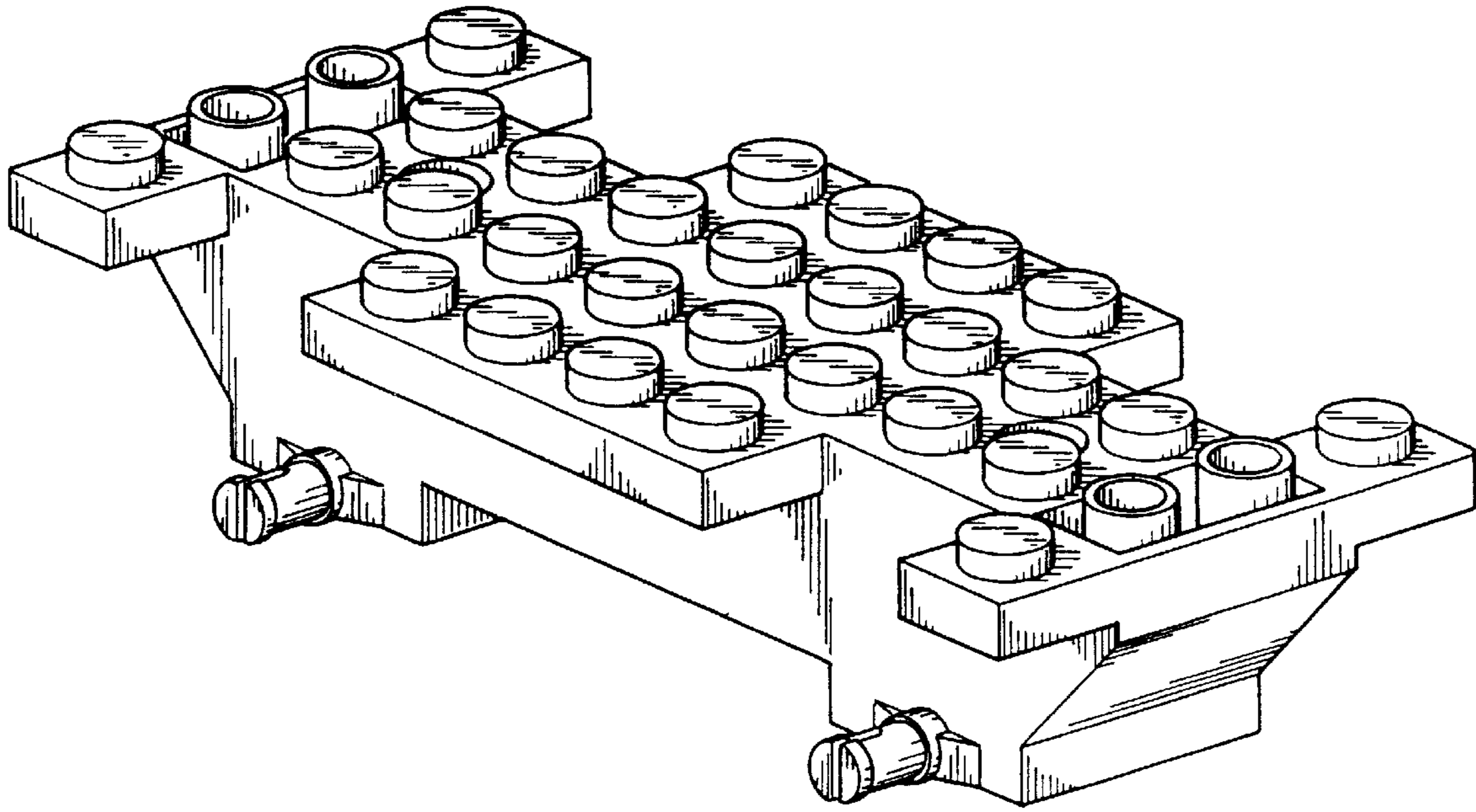


Fig. 1

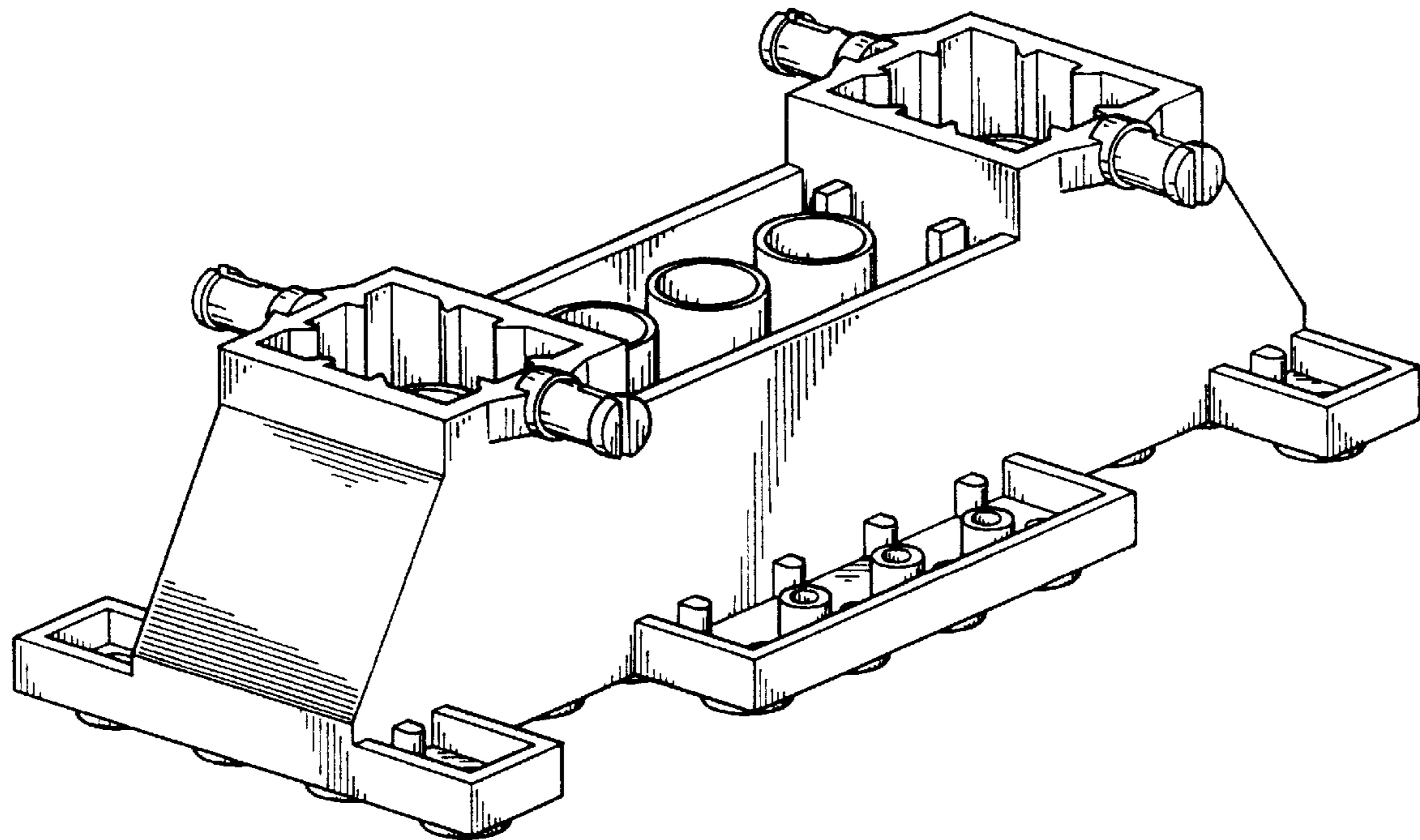


Fig. 2

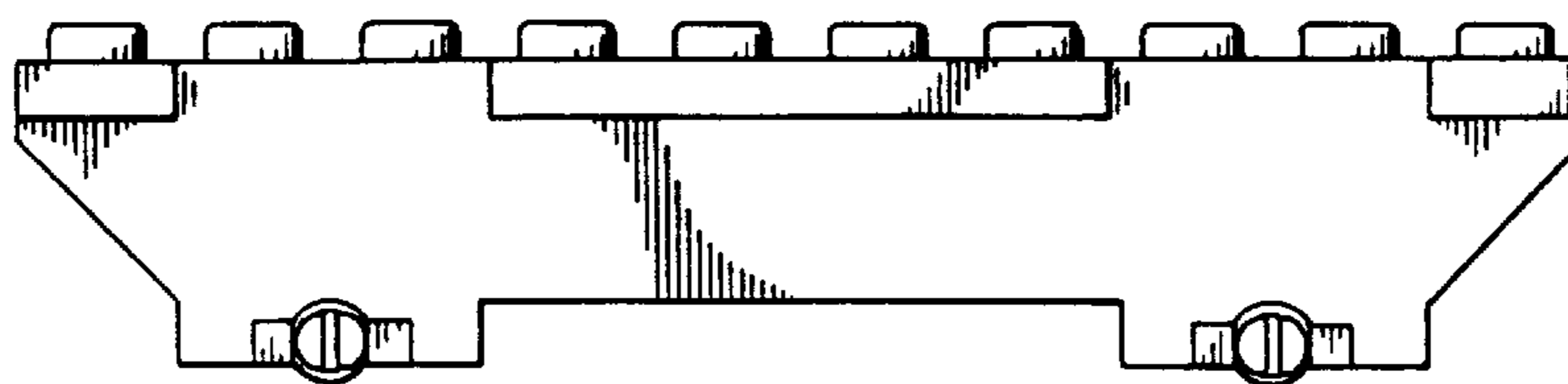


Fig. 5

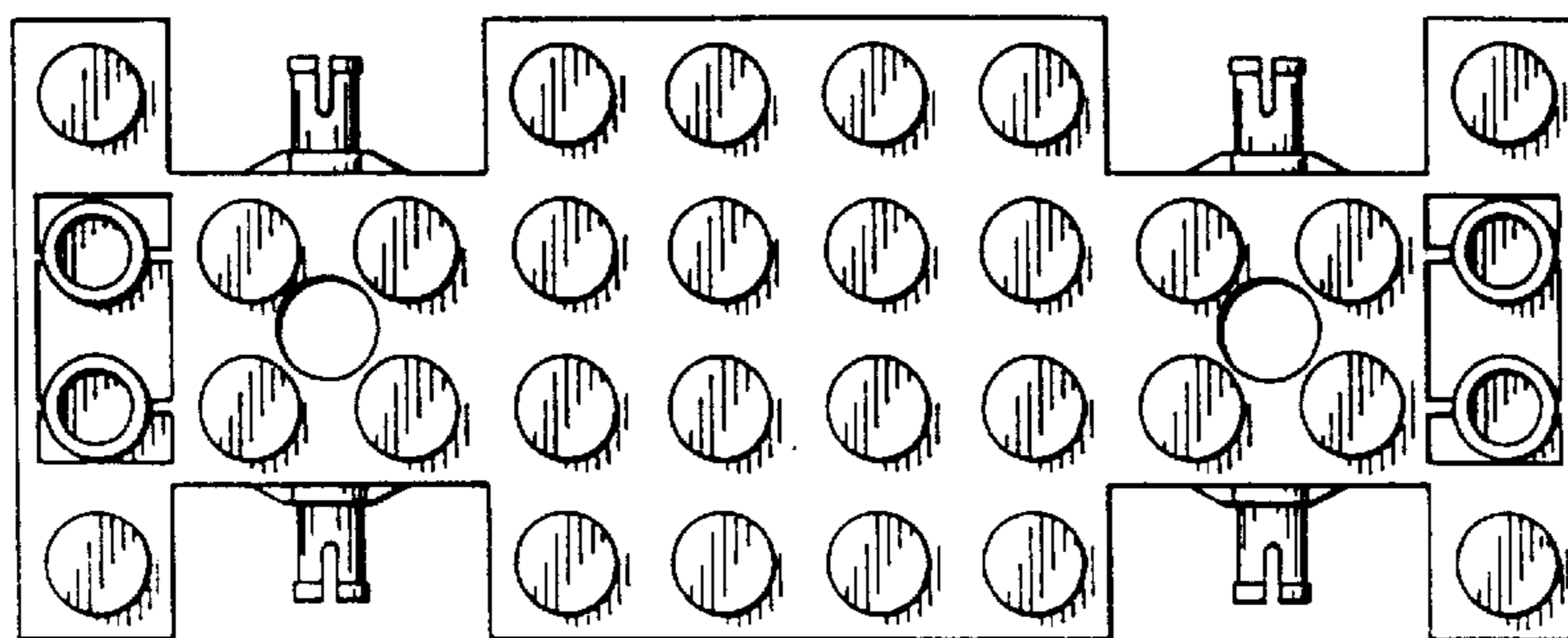


Fig. 8

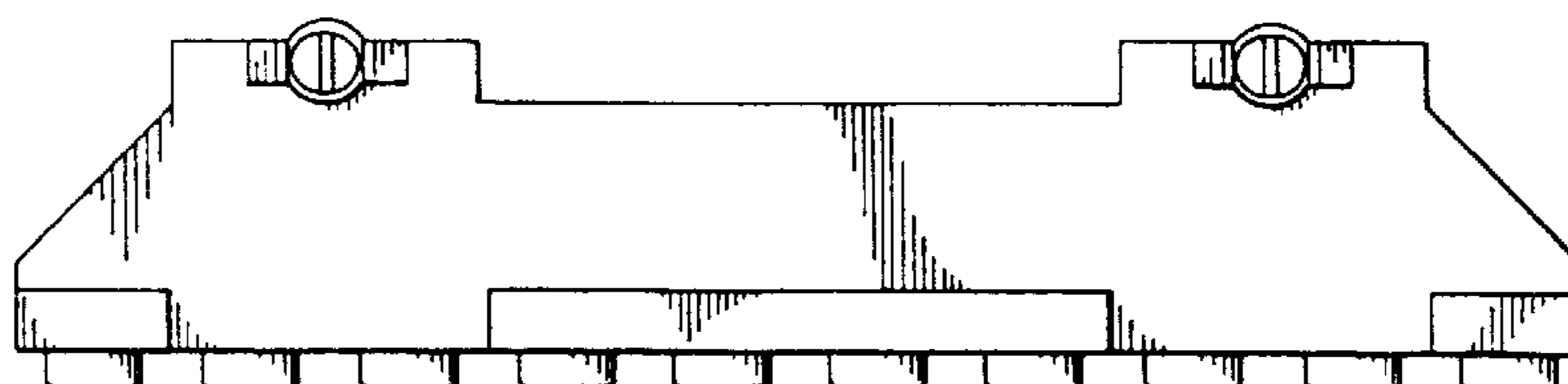


Fig. 4

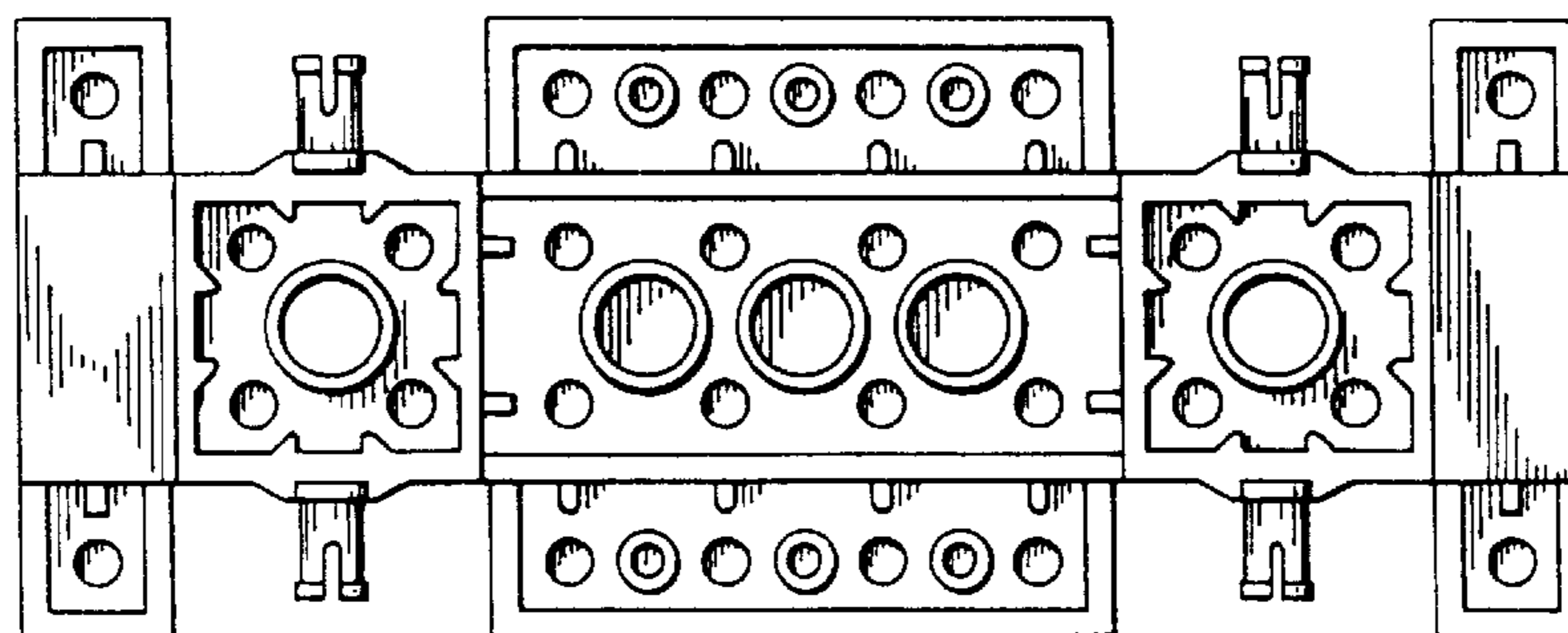


Fig. 7

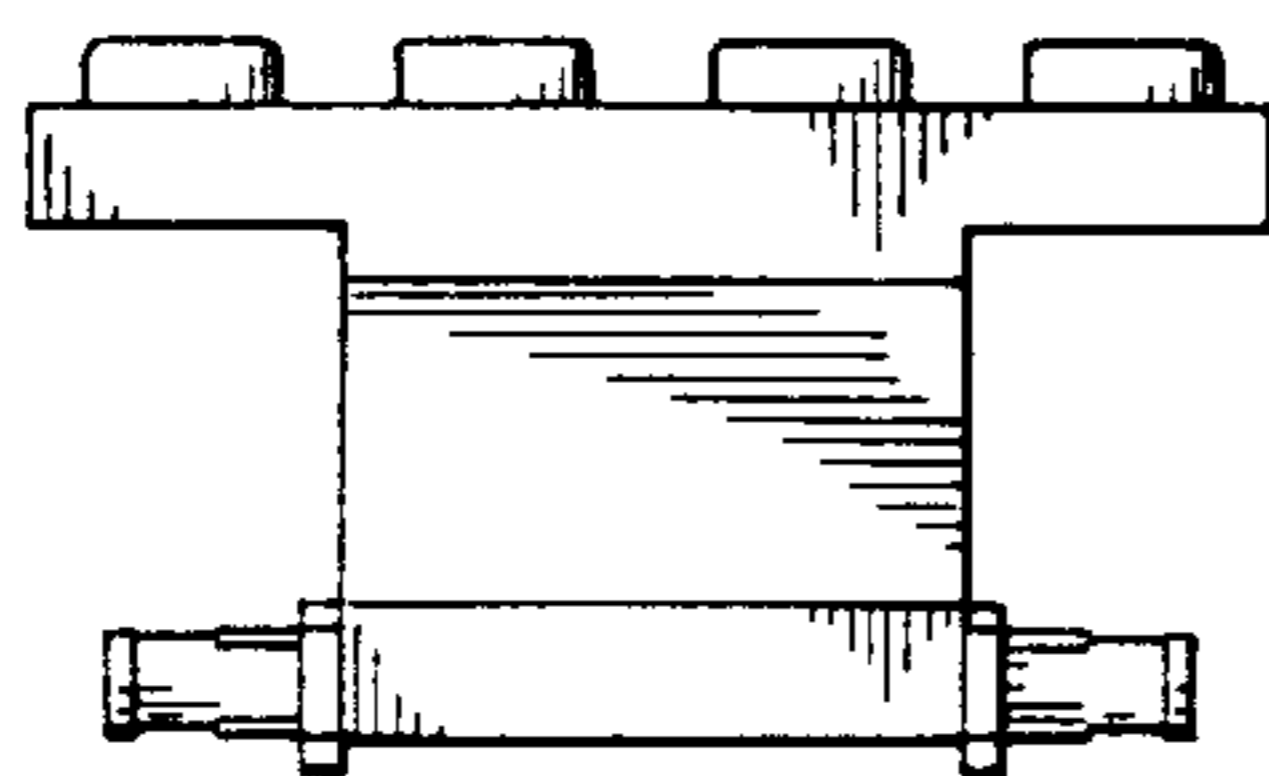


Fig. 3

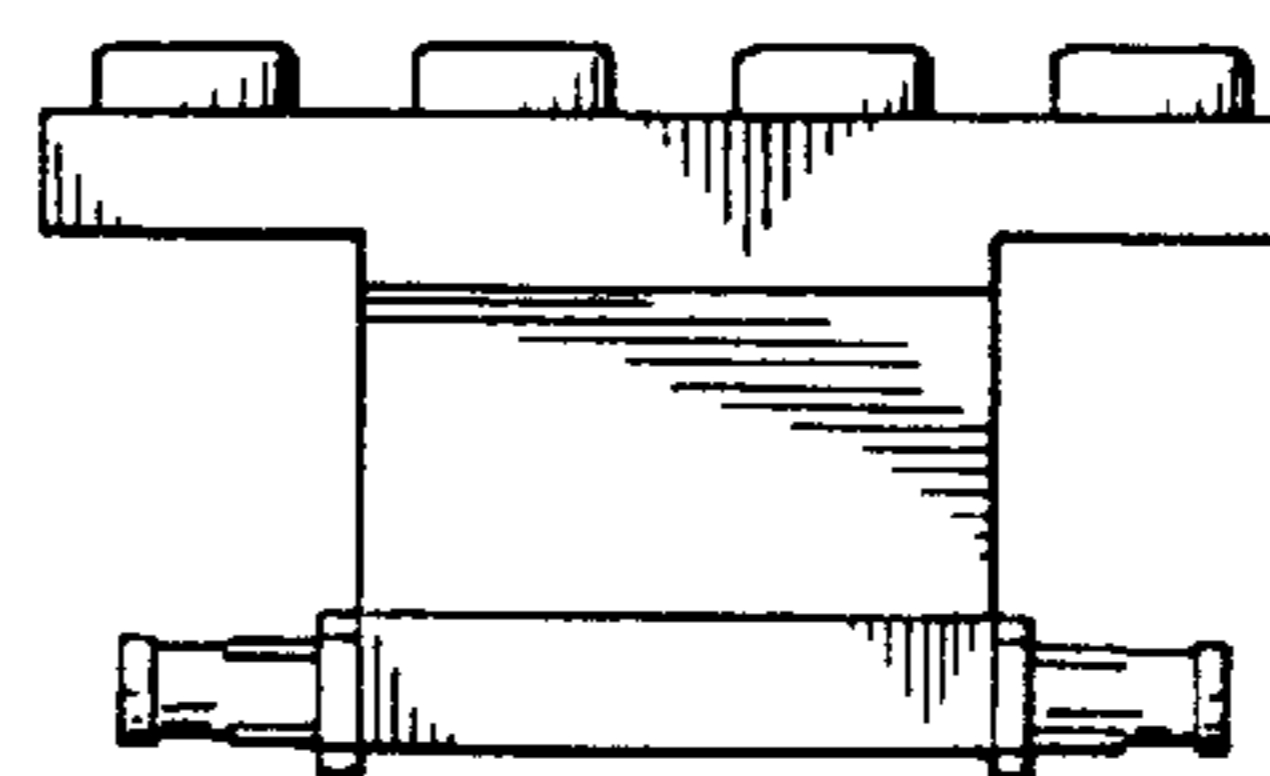


Fig. 6