



US00D395465S

United States Patent [19]
Smith

[11] **Patent Number: Des. 395,465**

[45] **Date of Patent: **Jun. 23, 1998**

[54] **DART**

[75] Inventor: **William A. Smith**, Greenfield, Wis.

[73] Assignee: **Great Lakes Dart Distributors, Inc.**,
Muskego, Wis.

[**] Term: **14 Years**

[21] Appl. No.: **70,034**

[22] Filed: **Apr. 25, 1997**

[51] **LOC (6) Cl.** **21-01**

[52] **U.S. Cl.** **D21/49**

[58] **Field of Search** D21/5, 6, 14-36,
D21/49; 273/236, 285, 288, 289; 473/578

[56] **References Cited**

U.S. PATENT DOCUMENTS

D. 380,784 7/1997 Smith D21/49

D. 381,372 7/1997 Smith D21/49
5,425,542 6/1995 Blackwood et al. 473/578
5,498,004 3/1996 Mariella et al. 473/578

Primary Examiner—Sandra L. Morris
Attorney, Agent, or Firm—Andrus, Scales, Starke &
Sawall

[57] **CLAIM**

The ornamental design for a dart, as shown and described.

DESCRIPTION

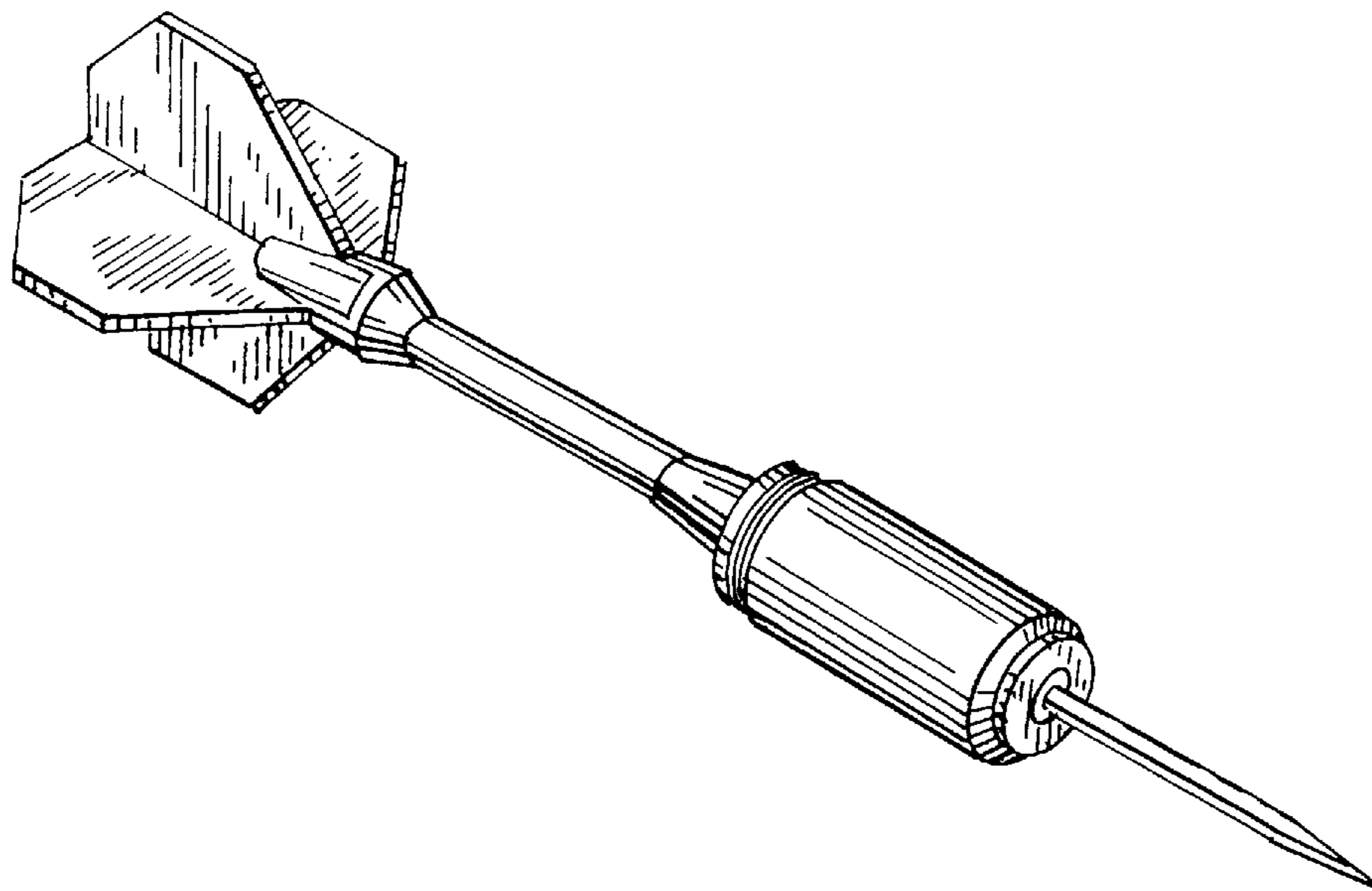
FIG. 1 is a perspective view of a dart showing my new design;

FIG. 2 is an enlarged front elevational view thereof;

FIG. 3 is an enlarged right side end view thereof; and,

FIG. 4 is an enlarged left side end view thereof.

1 Claim, 1 Drawing Sheet



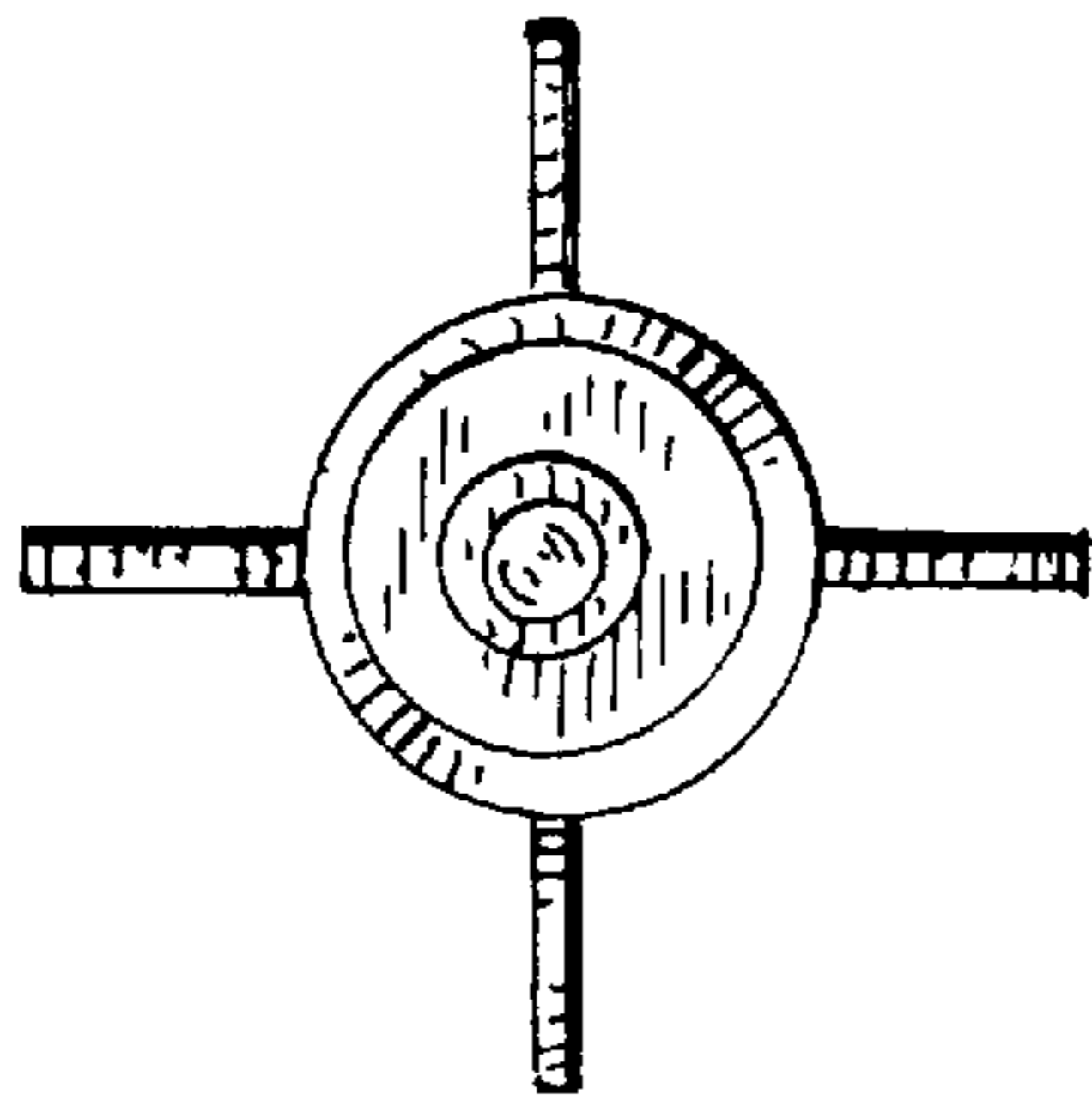


FIG. 3

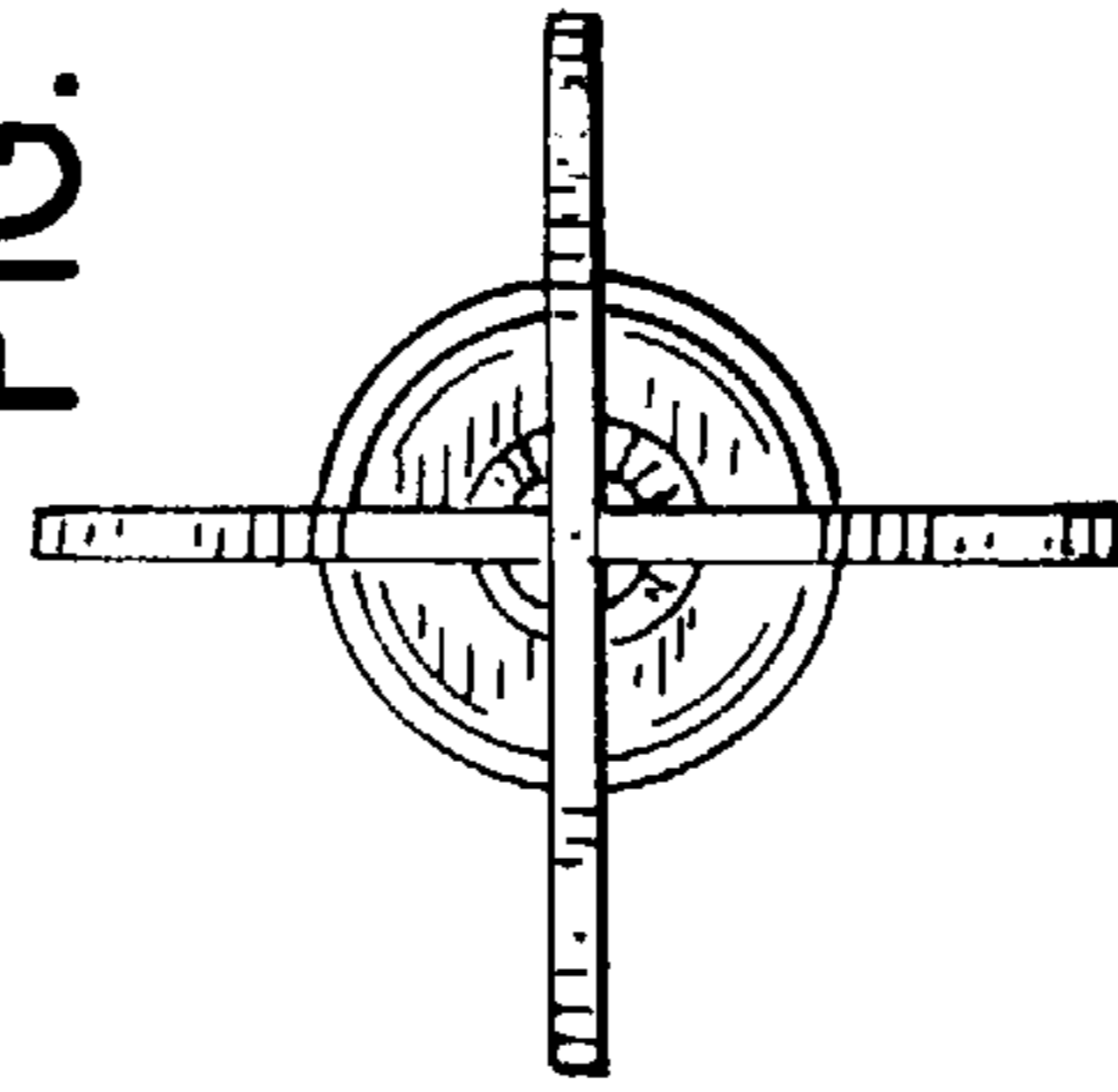


FIG. 4

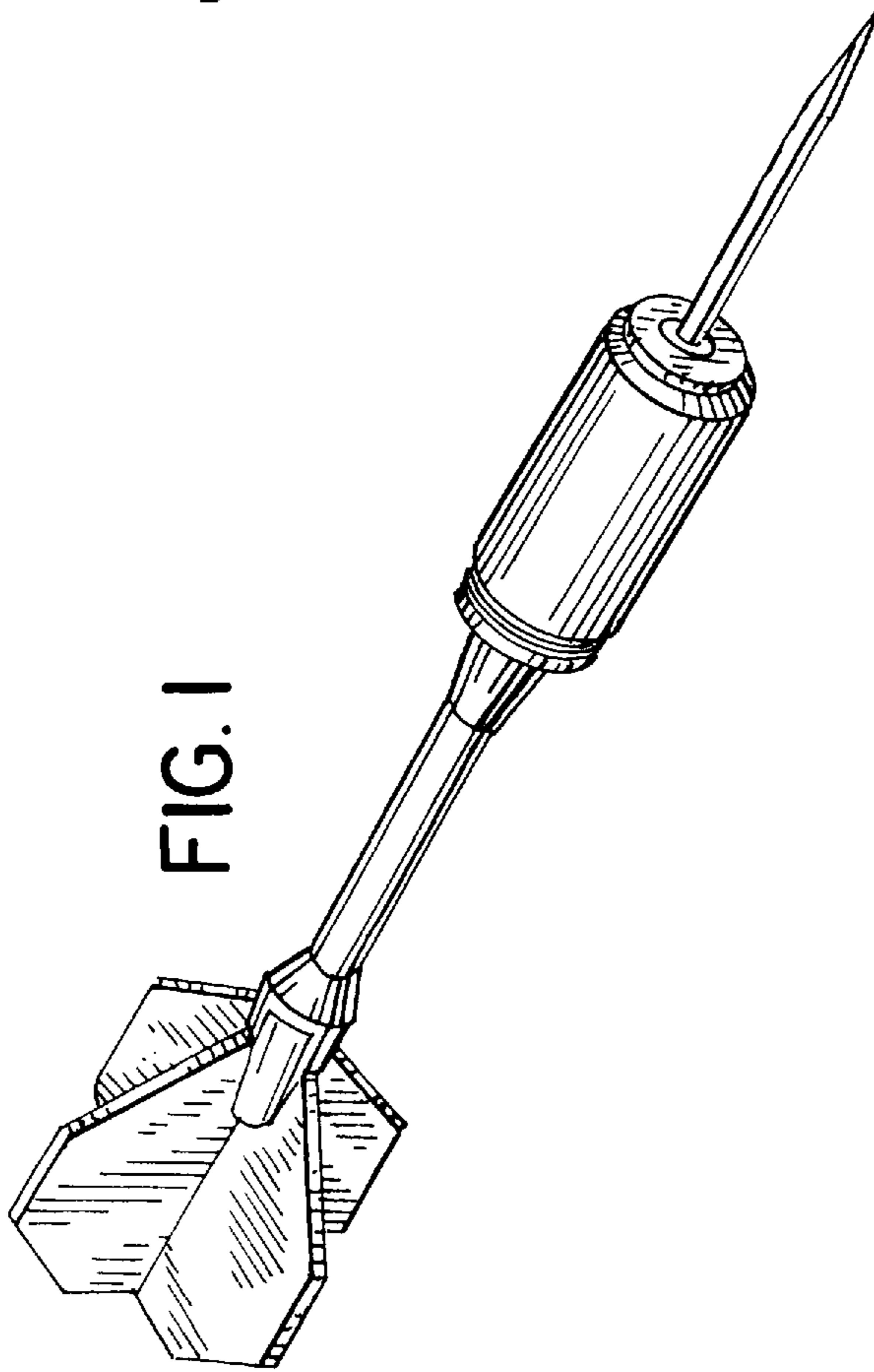


FIG. 1

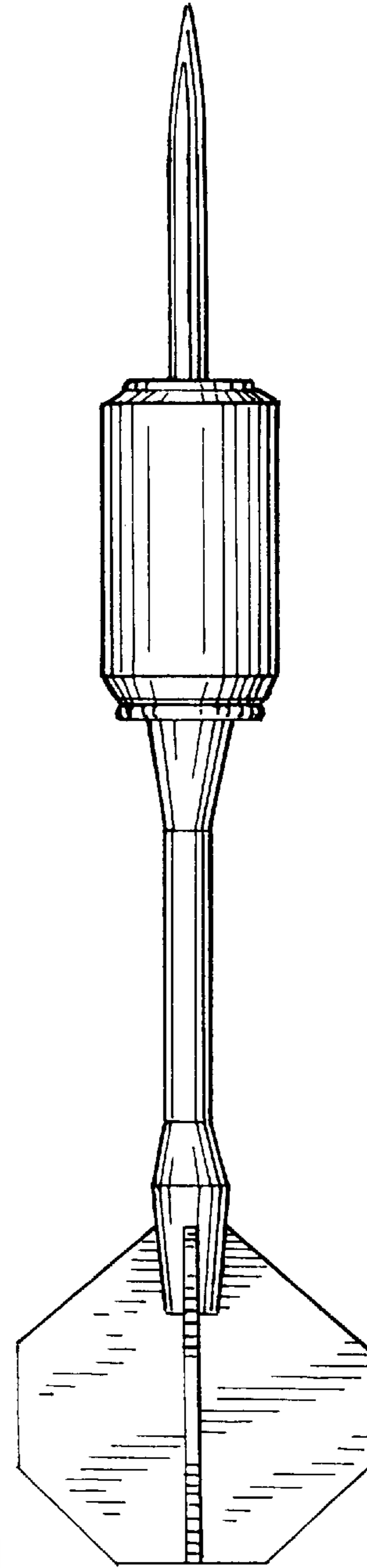


FIG. 2