



US00D395464S

# United States Patent [19]

Shiibashi et al.

[11] Patent Number: **Des. 395,464**

[45] Date of Patent: **\*\*Jun. 23, 1998**

[54] **STEERING WHEEL FOR A VIDEO GAME MACHINE**

[75] Inventors: **Atsushi Shiibashi; Takeshi Fujikawa; Takeyasu Yamamoto; Toru Yano**, all of Tokyo, Japan

[73] Assignee: **Namco, Ltd.**, Tokyo, Japan

[\*\*] Term: **14 Years**

[21] Appl. No.: **56,487**

[22] Filed: **Jul. 1, 1996**

[51] **LOC (6) Cl.** ..... **21-01**

[52] **U.S. Cl.** ..... **D21/48**

[58] **Field of Search** ..... D21/1, 13, 48, D21/124, 125; 273/148 B; 463/1, 30-35, 38, 46, 47, 63, 58

[56] **References Cited**

**U.S. PATENT DOCUMENTS**

D. 250,665	12/1978	Jang	.....	D21/13
D. 297,028	8/1988	McCann	.....	D21/48
D. 316,879	5/1991	Shulman et al.	.....	D21/48
2,710,754	6/1955	Varney	.....	463/51 X

3,339,307	9/1967	Floyd et al.	.....	463/63 X
4,713,007	12/1987	Alban	.....	463/31 X
5,056,787	10/1991	Mitsuyoshi	.....	273/148 B
5,317,336	5/1994	Hall	.....	273/148 B X

**OTHER PUBLICATIONS**

Video Technology Industries Inc. 1992.

*Primary Examiner*—Prabhakar G. Deshmukh  
*Attorney, Agent, or Firm*—Burns, Doane, Swecker & Mathis, LLP

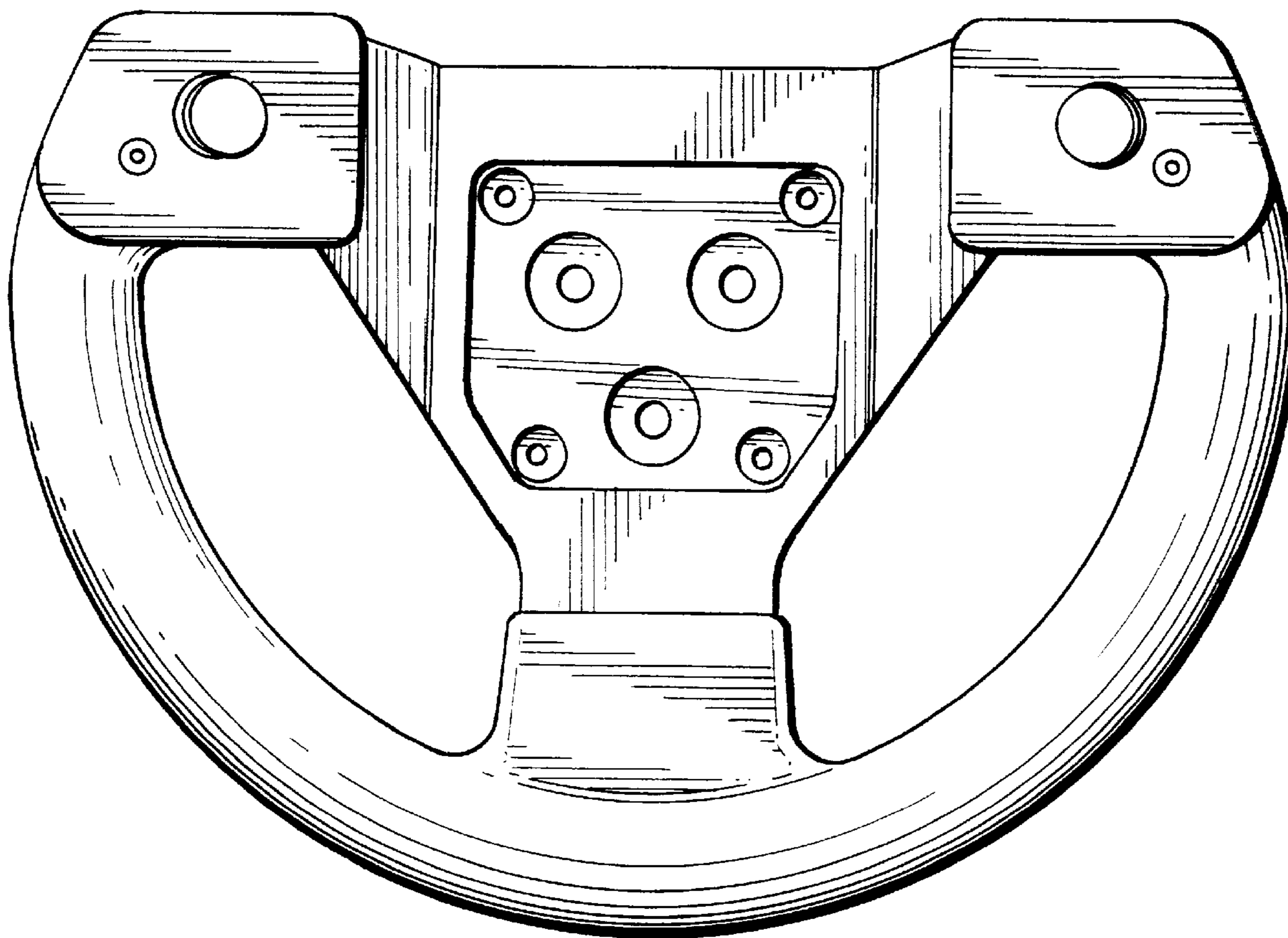
[57] **CLAIM**

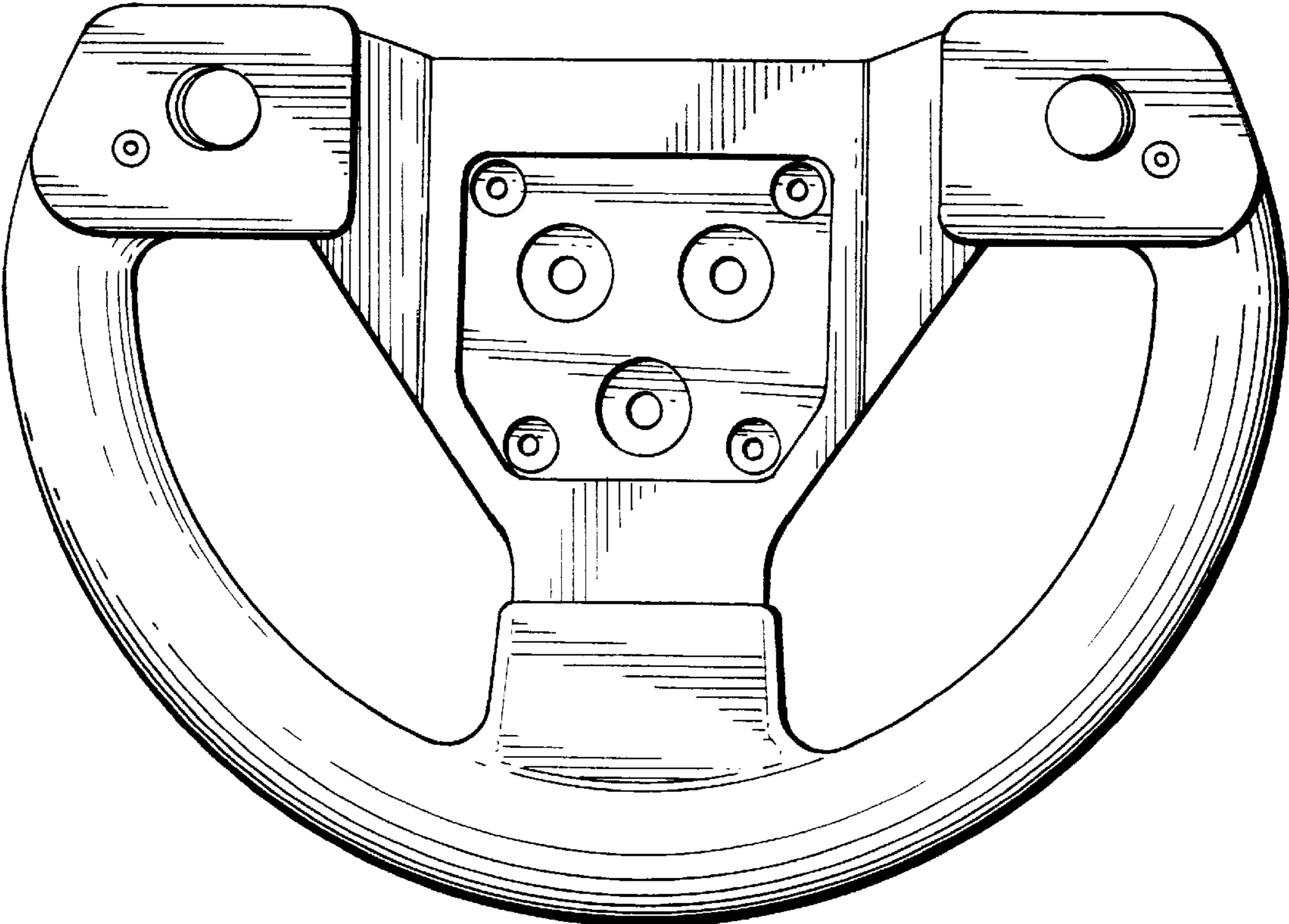
The ornamental design for a steering wheel for a video game machine, as shown and described.

**DESCRIPTION**

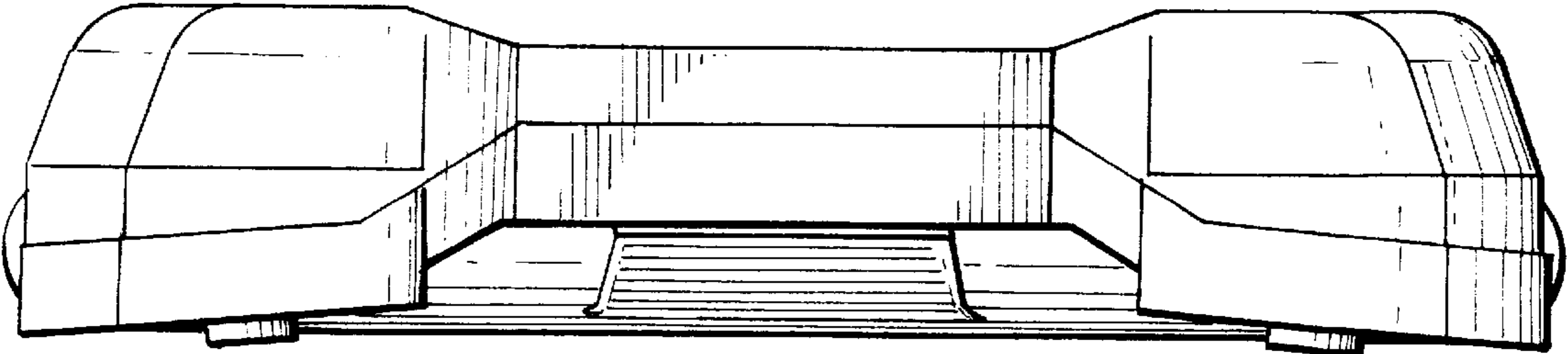
FIG. 1 is a front elevational view of a steering wheel for a video game machine showing our new design; FIG. 2 is a top plan view thereof; FIG. 3 is a bottom plan view thereof; FIG. 4 is a rear elevational view thereof; FIG. 5 is a right side elevational view thereof; and, FIG. 6 is a left side elevational view thereof.

**1 Claim, 3 Drawing Sheets**

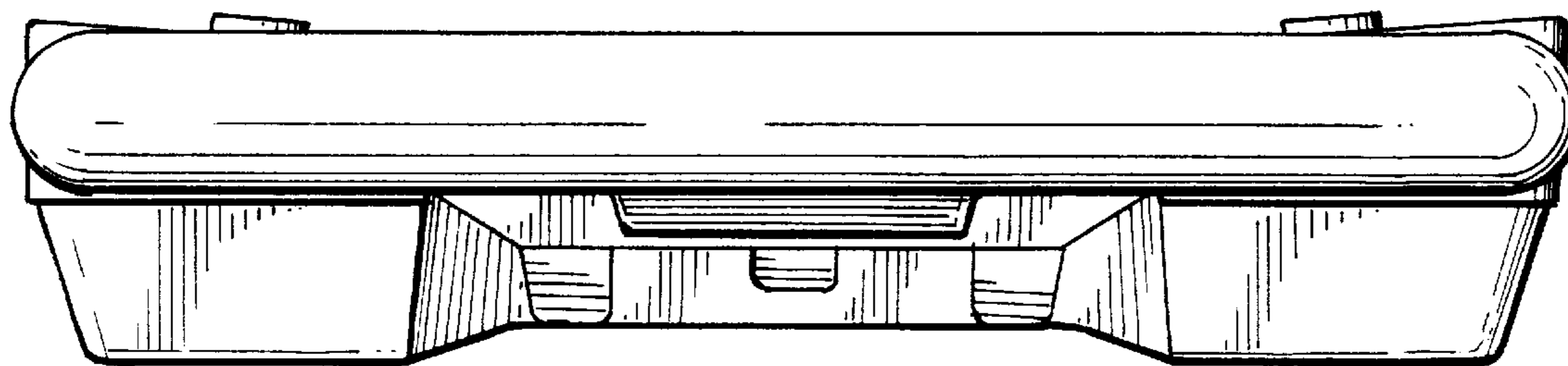




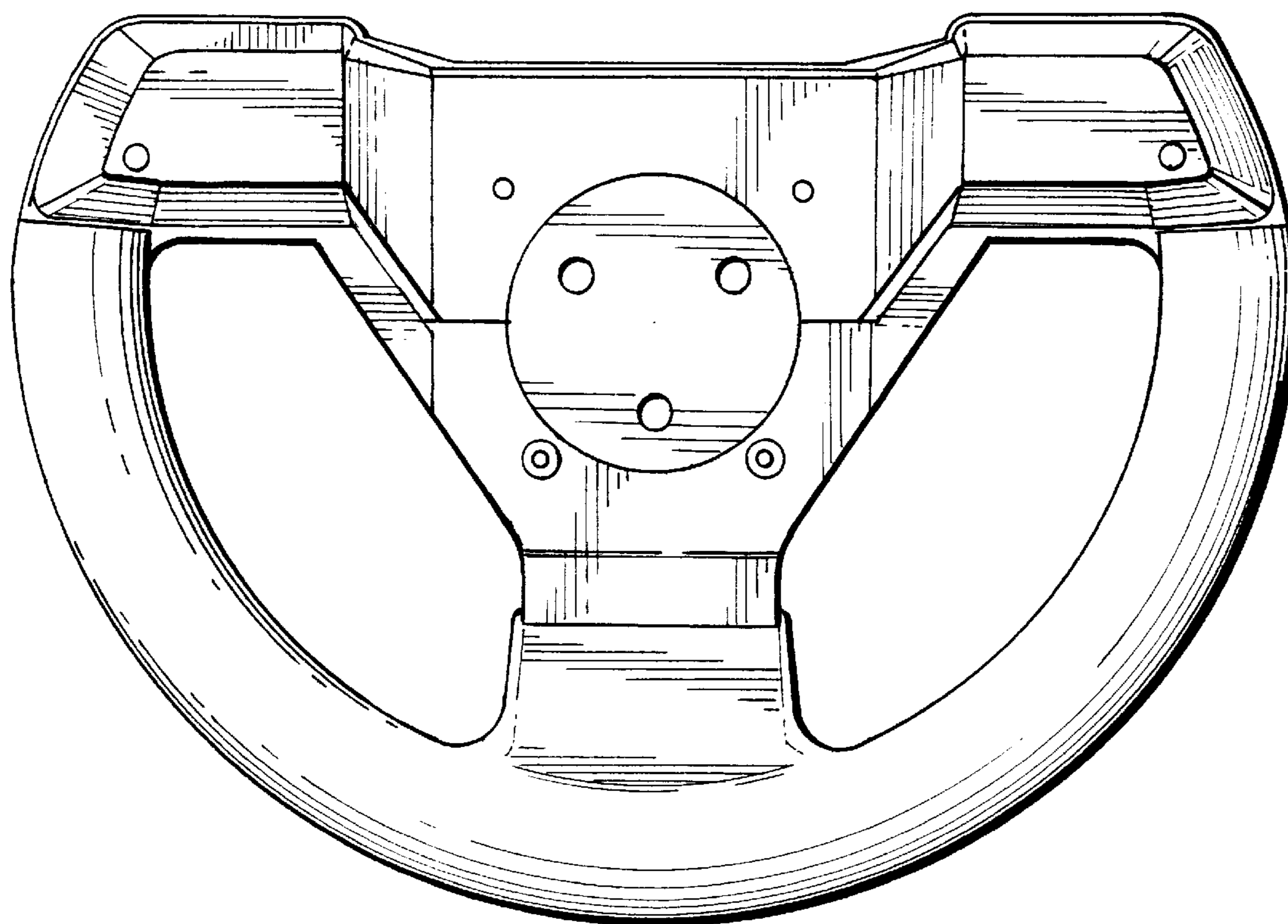
**FIG. 1**



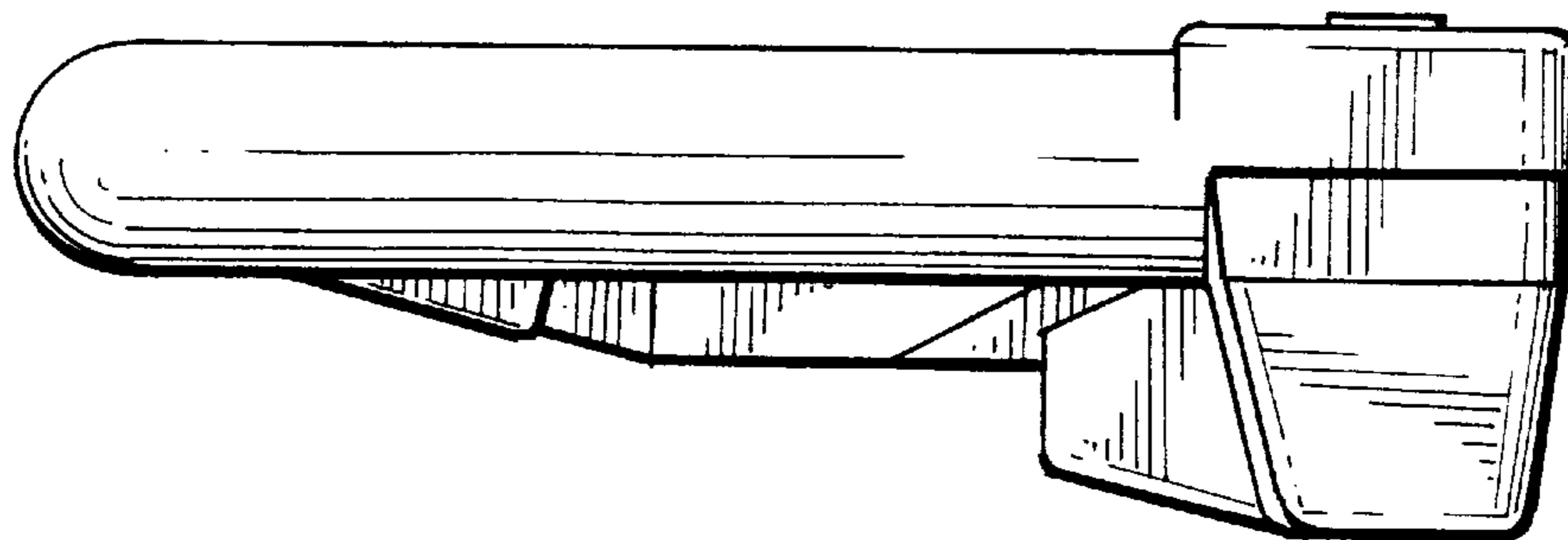
**FIG. 2**



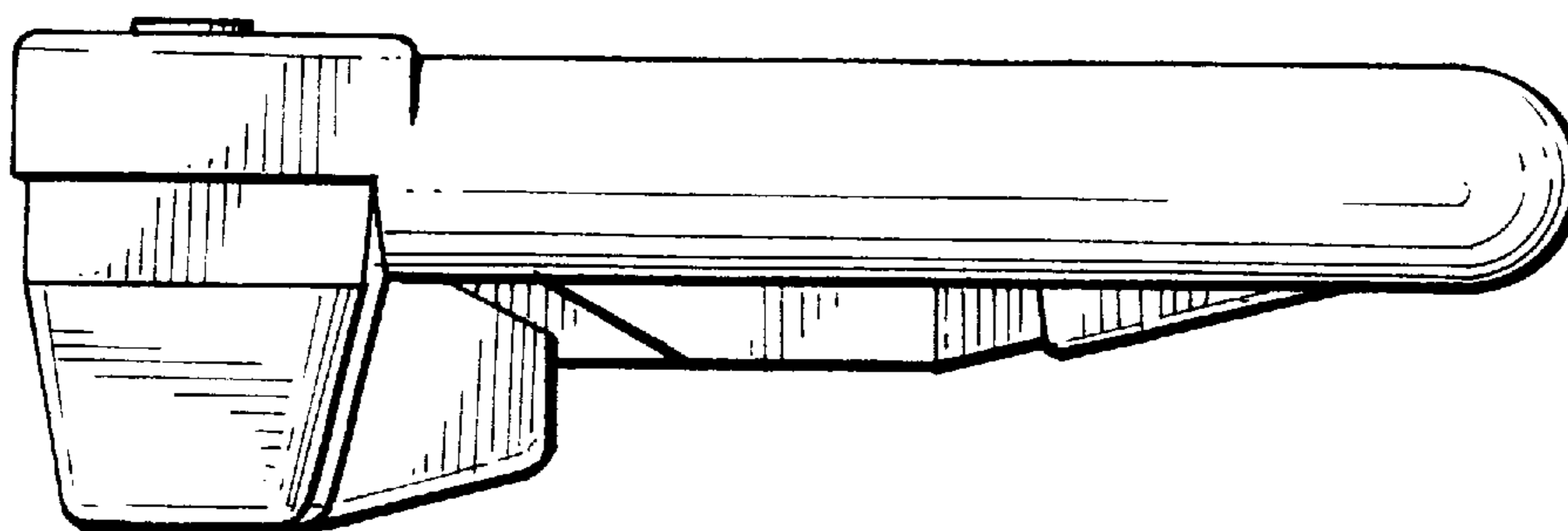
**FIG. 3**



**FIG. 4**



**FIG. 5**



**FIG. 6**