



US00D395463S

# United States Patent [19]

Scott et al.

[11] Patent Number: **Des. 395,463**

[45] Date of Patent: **\*\*Jun. 23, 1998**

[54] **ELECTRONIC GAMING MACHINE**

M9409371 12/1994 Germany .

[75] Inventors: **William A. Scott**, Palo Alto; **Allan E. Alcorn**, Portola Valley, both of Calif.

[73] Assignee: **Silicon Gaming, Inc.**, Palo Alto, Calif.

[\*\*] Term: **14 Years**

[21] Appl. No.: **68,339**

[22] Filed: **Apr. 3, 1997**

[51] **LOC (6) Cl.** ..... **21-02**

[52] **U.S. Cl.** ..... **D21/38**

[58] **Field of Search** ..... D21/37, 38; 463/20, 463/25; 273/138 R, 142 R

## [56] **References Cited**

### U.S. PATENT DOCUMENTS

D. 220,573	4/1971	Belokin, Jr.	.....	D21/38
D. 226,105	1/1973	Lally et al.	.....	D21/38
D. 340,954	11/1993	Stefan	.....	D21/38
5,609,524	3/1997	Inoue	.....	463/20

### FOREIGN PATENT DOCUMENTS

M9407663	9/1994	Germany .
M9407797	10/1994	Germany .

## OTHER PUBLICATIONS

Gamma International, Ltd; Draw poker machine, Jun. 1994.  
Amtote International; Video Lottery machine, Jun. 1994.  
US Games, Inc.; Video Poker machine, Jun. 1994.

*Primary Examiner*—Ted Shooman  
*Assistant Examiner*—Mitchell I. Siegel  
*Attorney, Agent, or Firm*—Claude A. S. Hamrick

## [57] **CLAIM**

The ornamental design for an electronic gaming machine, as shown and described.

## **DESCRIPTION**

FIG. 1 is a perspective view illustrating an electronic gaming machine in accordance with our new design; FIG. 2 is a front elevational view thereof; FIG. 3 is a rear elevational view thereof; FIG. 4 is a left side elevational view thereof; FIG. 5 is a right side elevational view thereof; FIG. 6 is a top plan view thereof; and, FIG. 7 is a bottom plan view thereof.

The broken line showing on the drawings is for illustrative purposes only and forms no part of the claimed design.

**1 Claim, 4 Drawing Sheets**

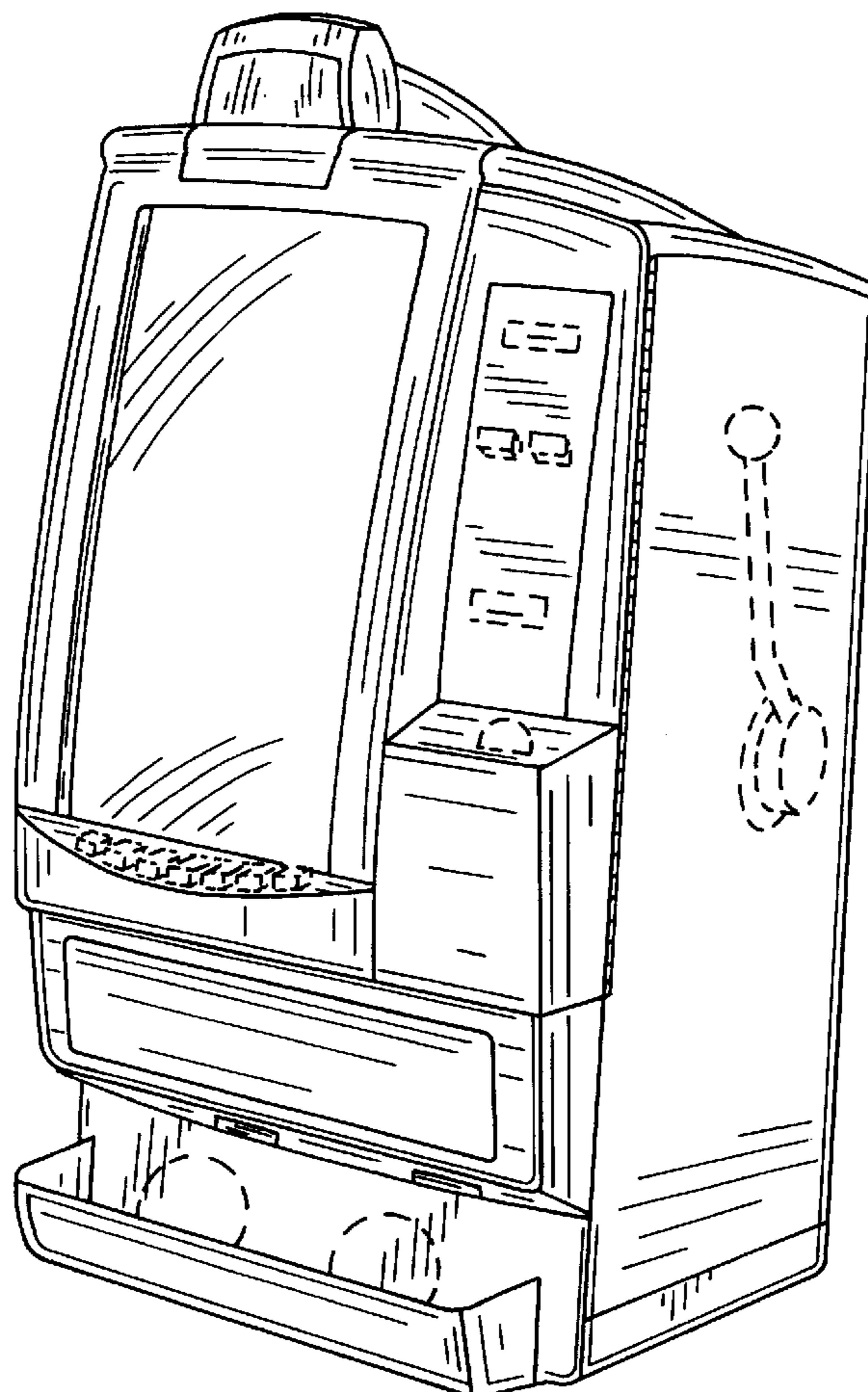


FIG. 1

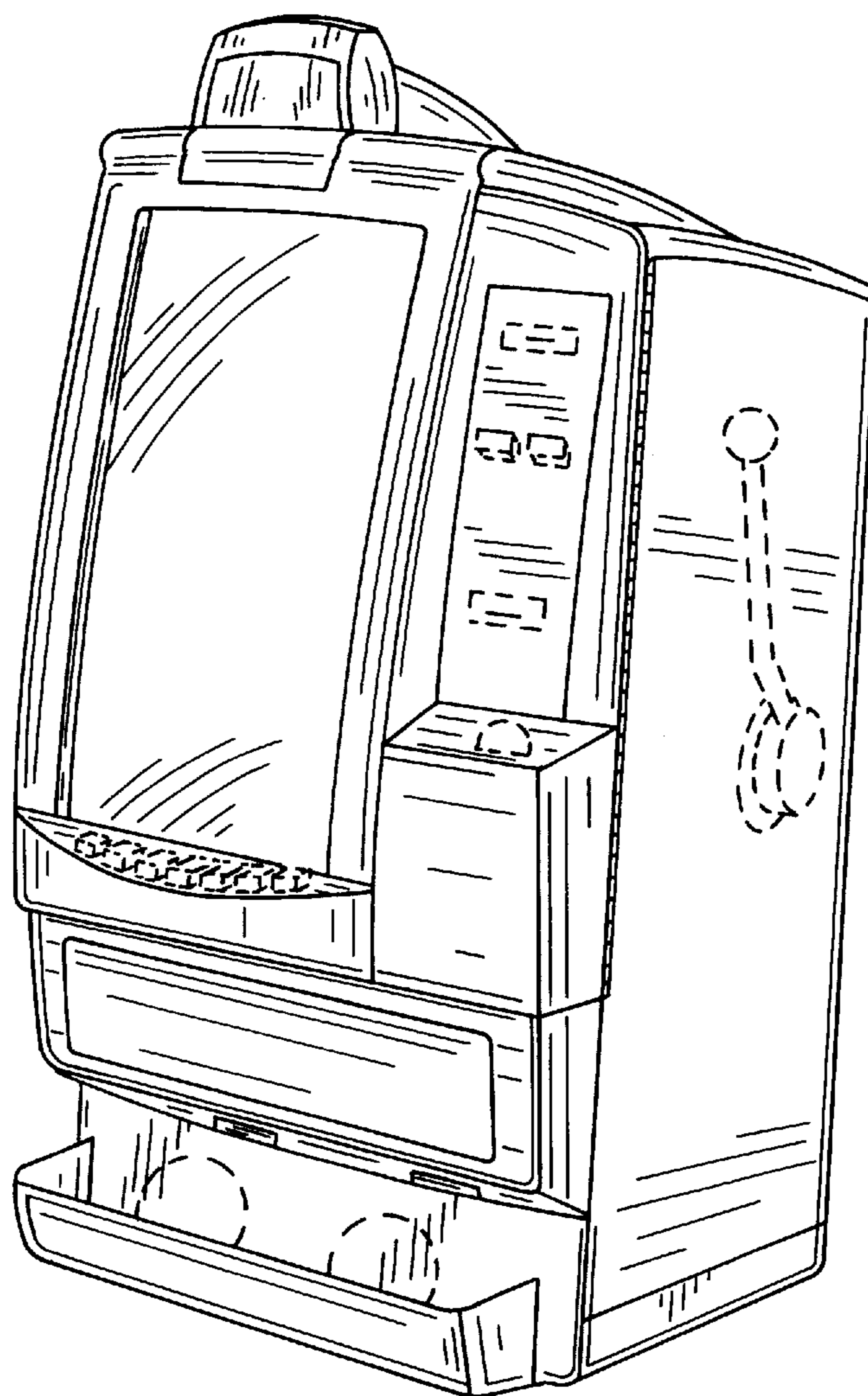


FIG. 3

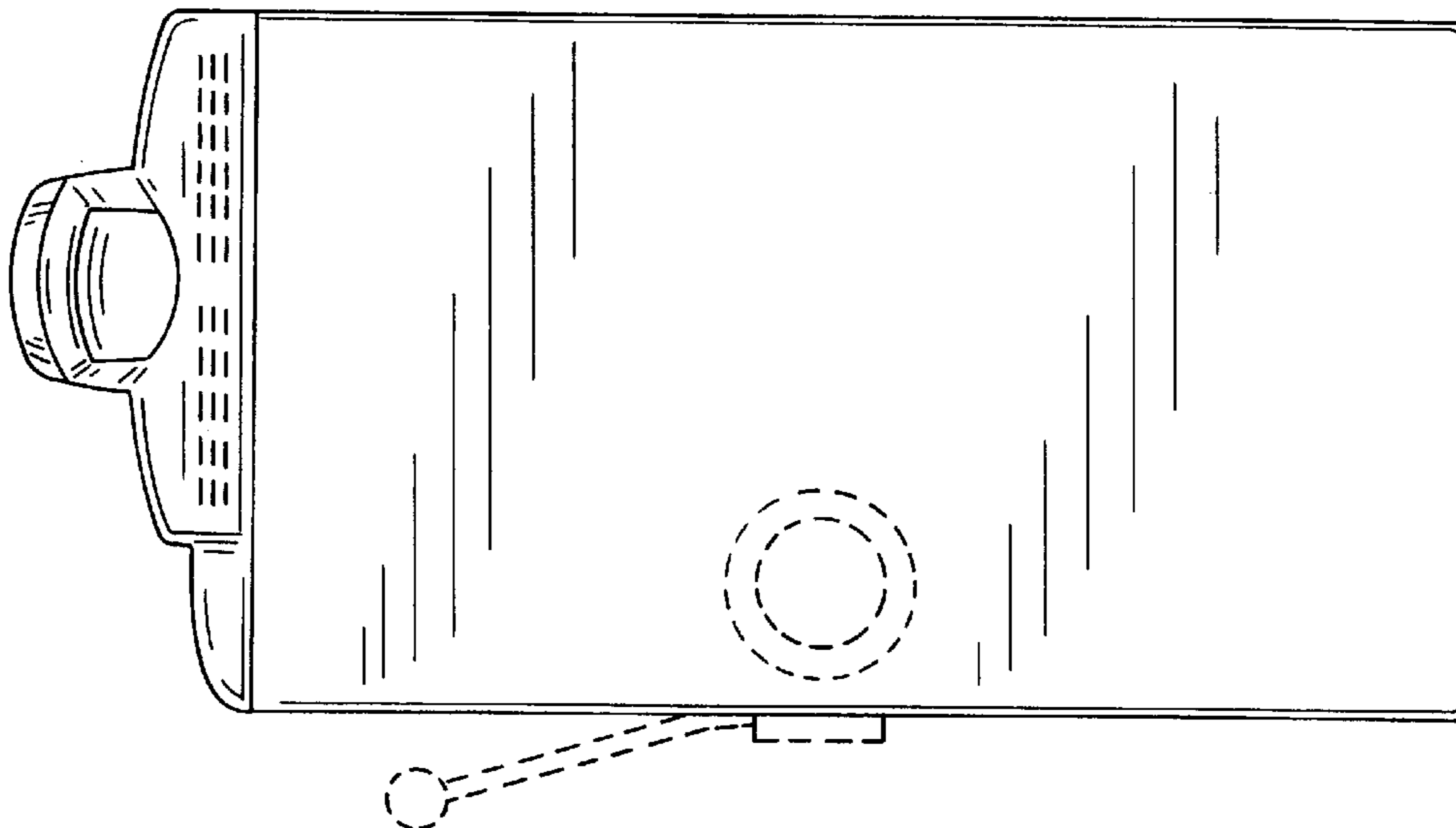
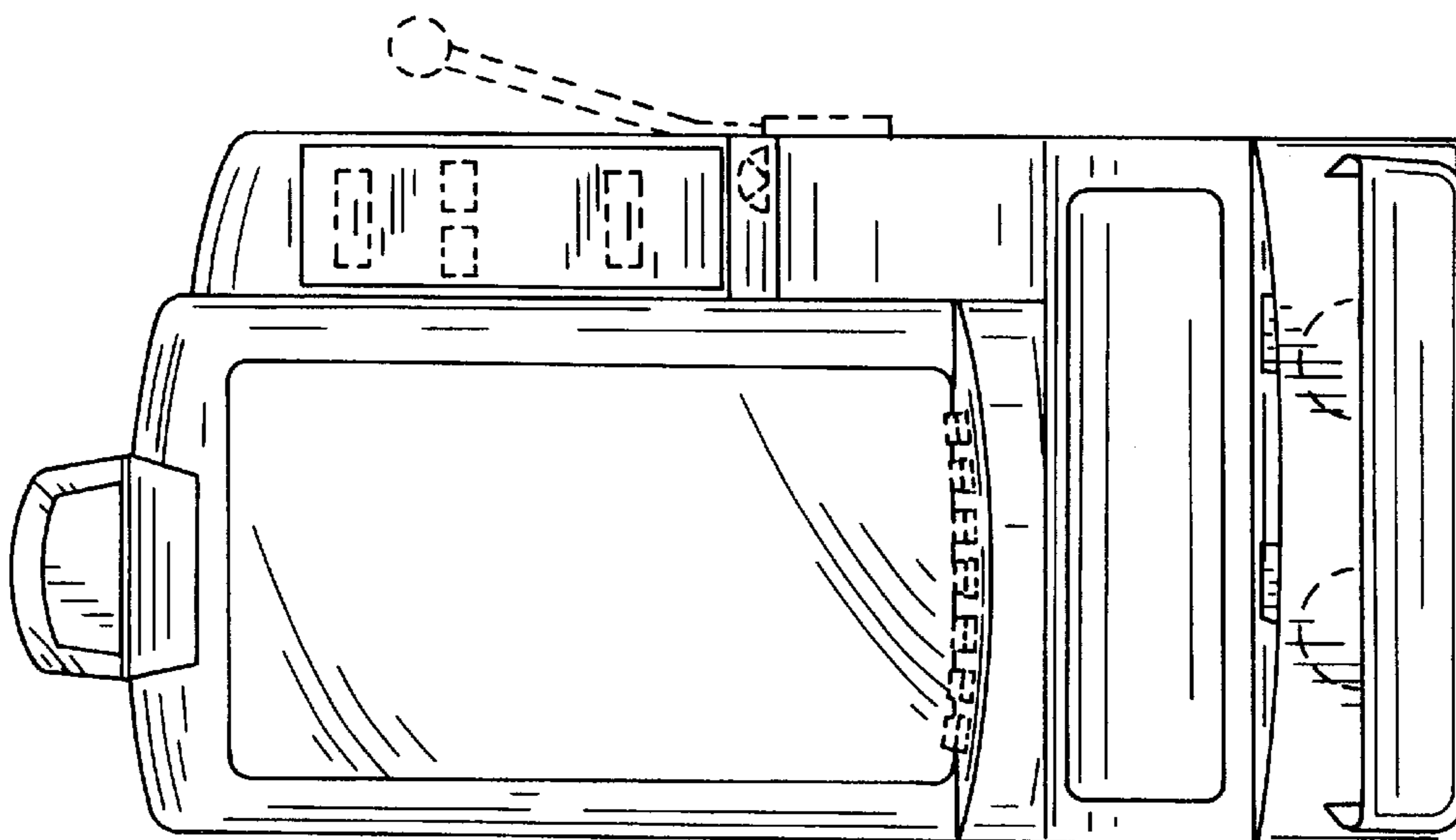


FIG. 2



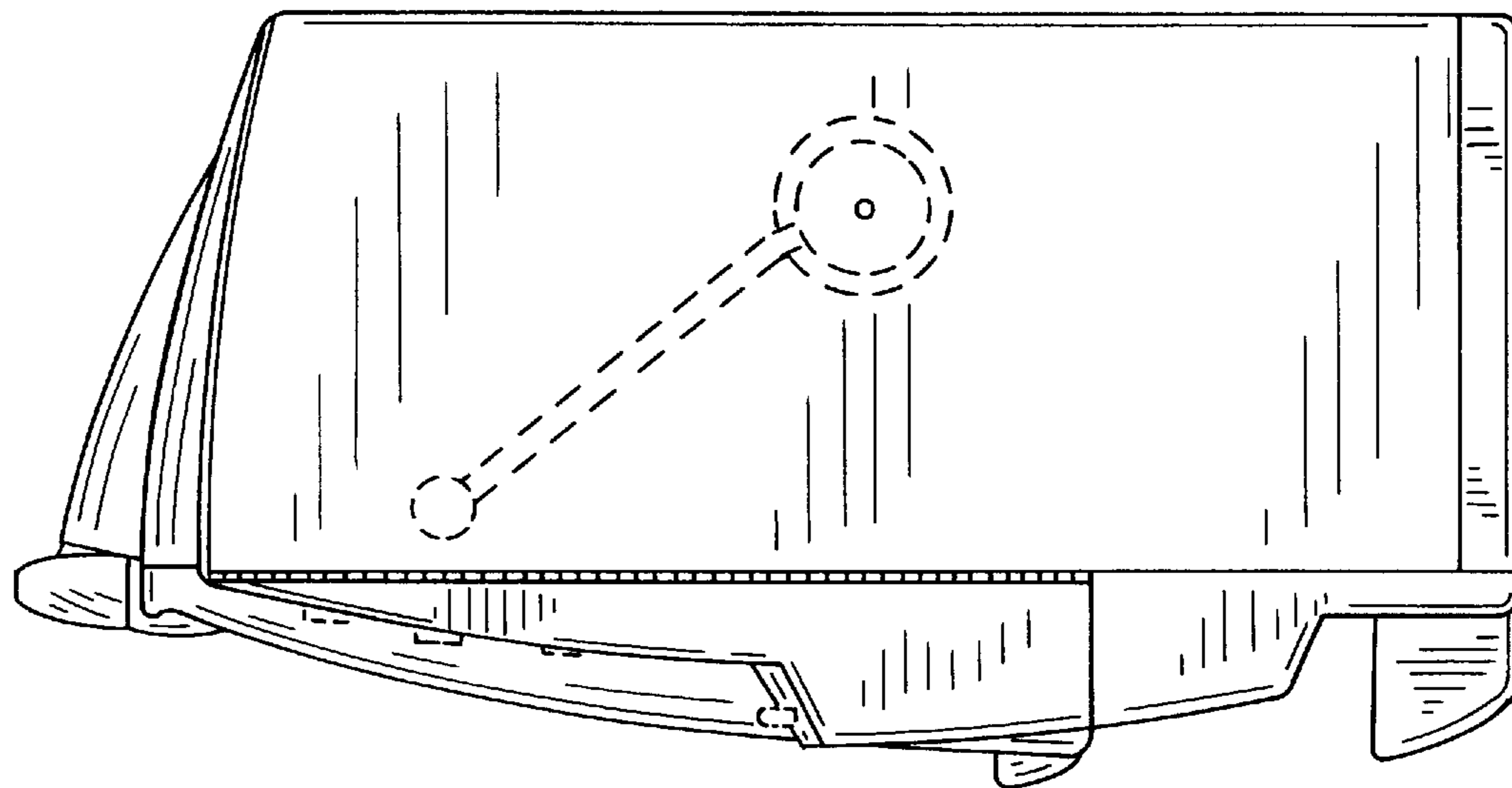


FIG. 5

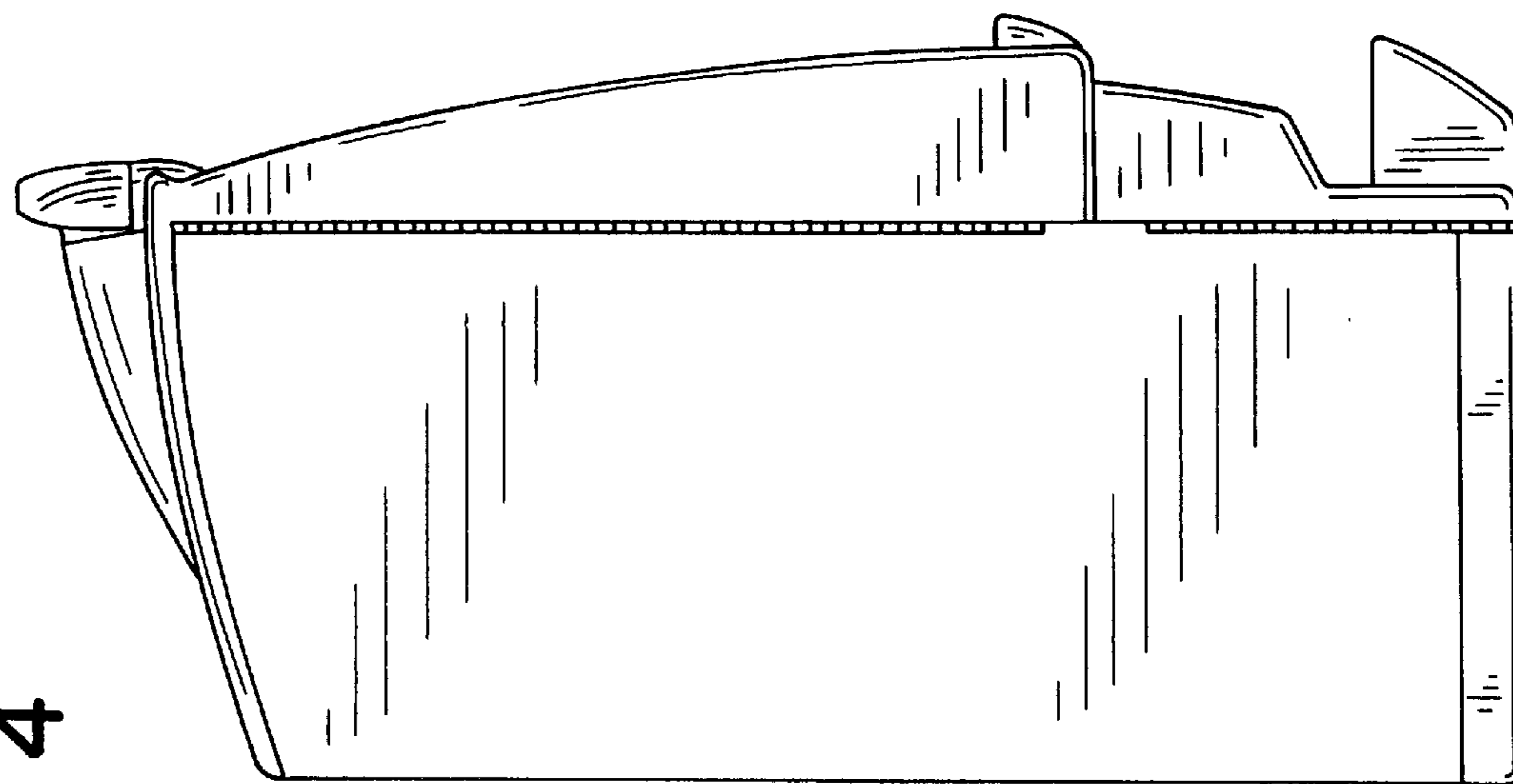


FIG. 4

FIG. 6

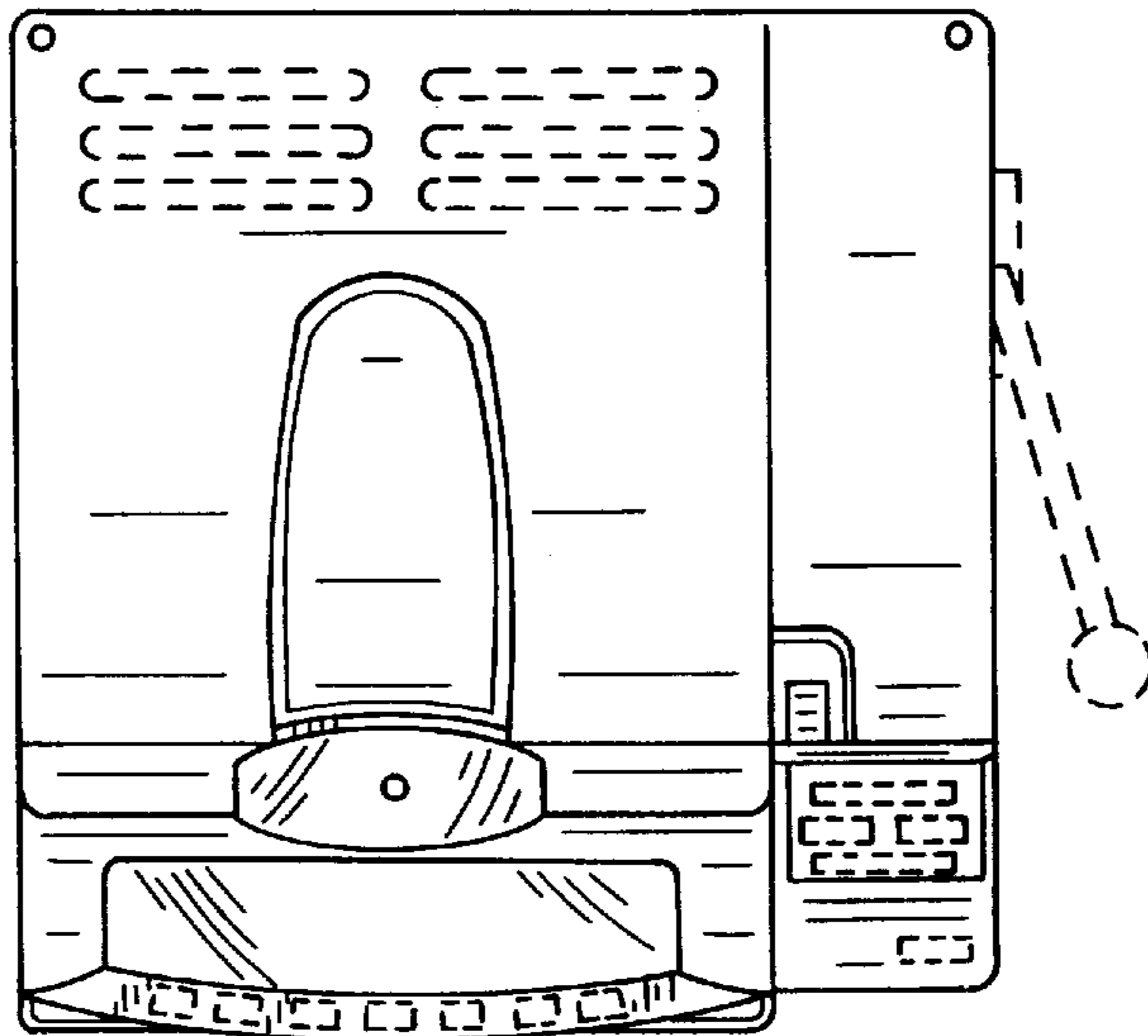


FIG. 7

