



US00D395456S

# United States Patent [19]

Ito et al.

[11] **Patent Number: Des. 395,456**

[45] **Date of Patent: \*\*Jun. 23, 1998**

[54] **COLOR SAMPLE DISPLAY PANEL**

[75] Inventors: **Yukinobu Ito**, Tokyo; **Kazuhiro Tanaka**, Kanagawa, both of Japan

[73] Assignee: **Nippon Paint Co., Ltd.**, Osaka, Japan

[\*\*] Term: **14 Years**

[21] Appl. No.: **65,274**

[22] Filed: **Jan. 31, 1997**

[30] **Foreign Application Priority Data**

Aug. 1, 1996 [JP] Japan ..... 8-23272

[51] **LOC (6) Cl.** ..... **20-02**

[52] **U.S. Cl.** ..... **D20/42; D25/119; D20/44**

[58] **Field of Search** ..... D20/10, 42, 43, D20/44, 40; D25/119, 121, 122, 124, 136; 40/642.02, 650; 52/290, 300, 102

[56] **References Cited**

**U.S. PATENT DOCUMENTS**

D. 91,883 4/1934 Kellogg ..... D25/121  
D. 141,051 5/1945 Ketchum, Jr. .... D25/119

D. 221,141 7/1971 Wormser ..... D20/44 X  
D. 241,396 9/1976 Copeland ..... D25/119  
D. 260,039 7/1981 De Ruitter ..... D25/121  
D. 265,509 7/1982 Popek ..... D25/121  
D. 325,981 5/1992 Valentin ..... D25/119  
D. 342,322 12/1993 Dallaire ..... D25/119 X

*Primary Examiner*—Susan J. Lucas  
*Assistant Examiner*—Jennifer Rivard  
*Attorney, Agent, or Firm*—Sughrue, Mion, Zinn, Macpeak & Seas, PLLC

[57] **CLAIM**

The ornamental design for a color sample display panel, as shown and described.

**DESCRIPTION**

FIG. 1 is a perspective view of the front, top and right side of a color sample display panel showing our design;  
FIG. 2 is a front elevational view thereof;  
FIG. 3 is a rear elevational view thereof;  
FIG. 4 is a left side elevational view thereof, the right side being a mirror image thereof;  
FIG. 5 is a top plan view thereof; and,  
FIG. 6 is a bottom plan view thereof.

**1 Claim, 4 Drawing Sheets**

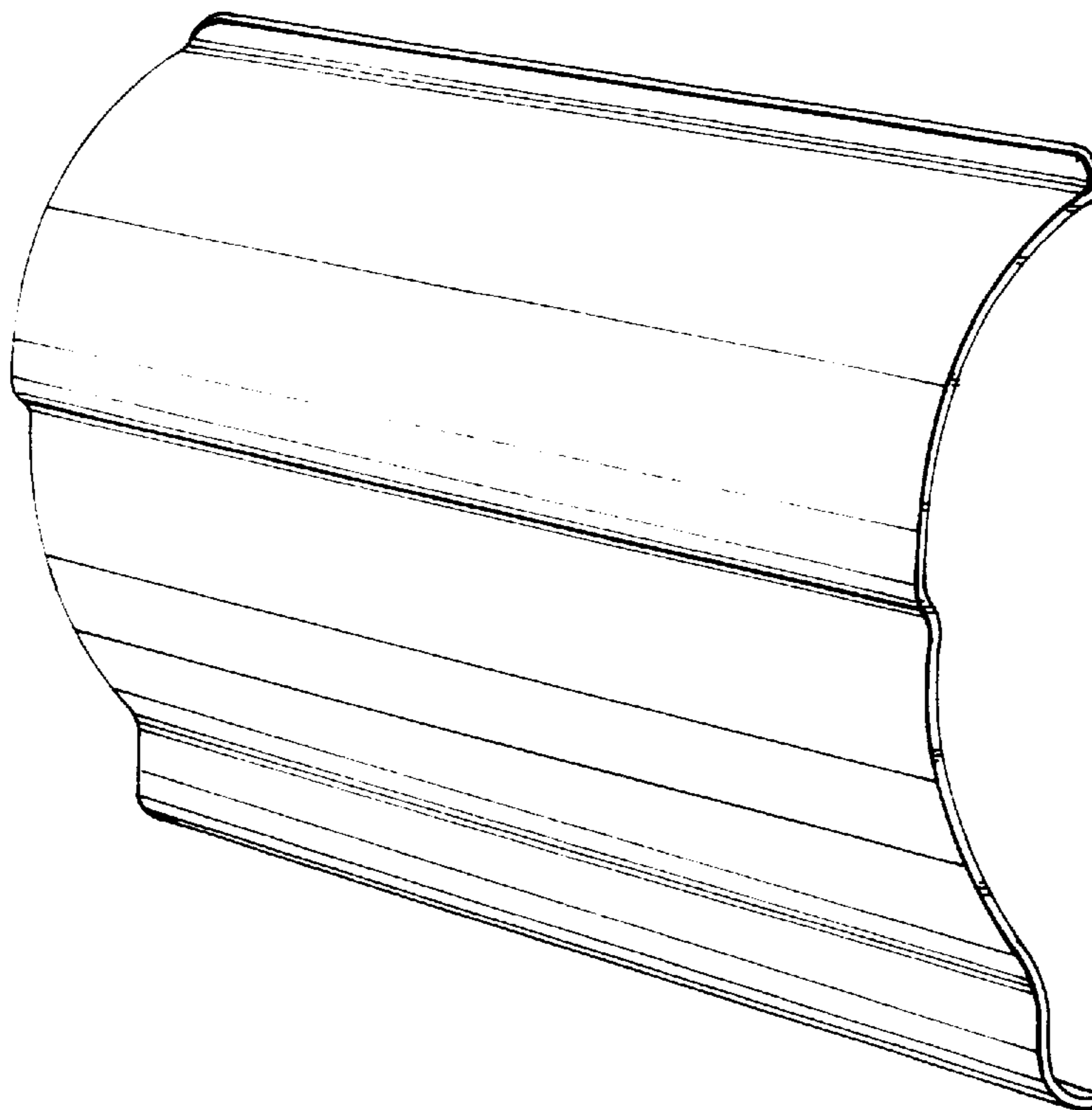


FIG. 1

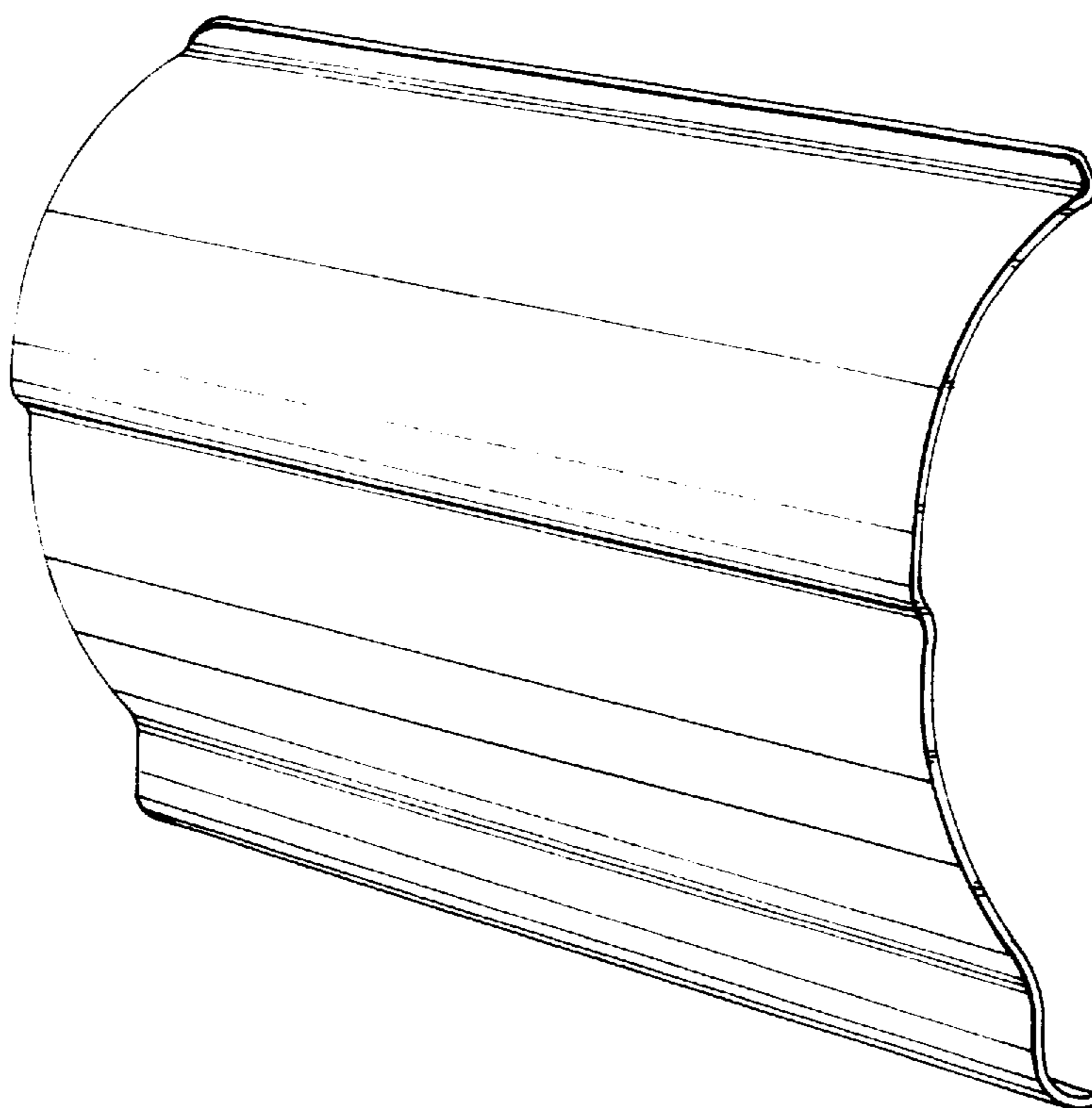


FIG. 2

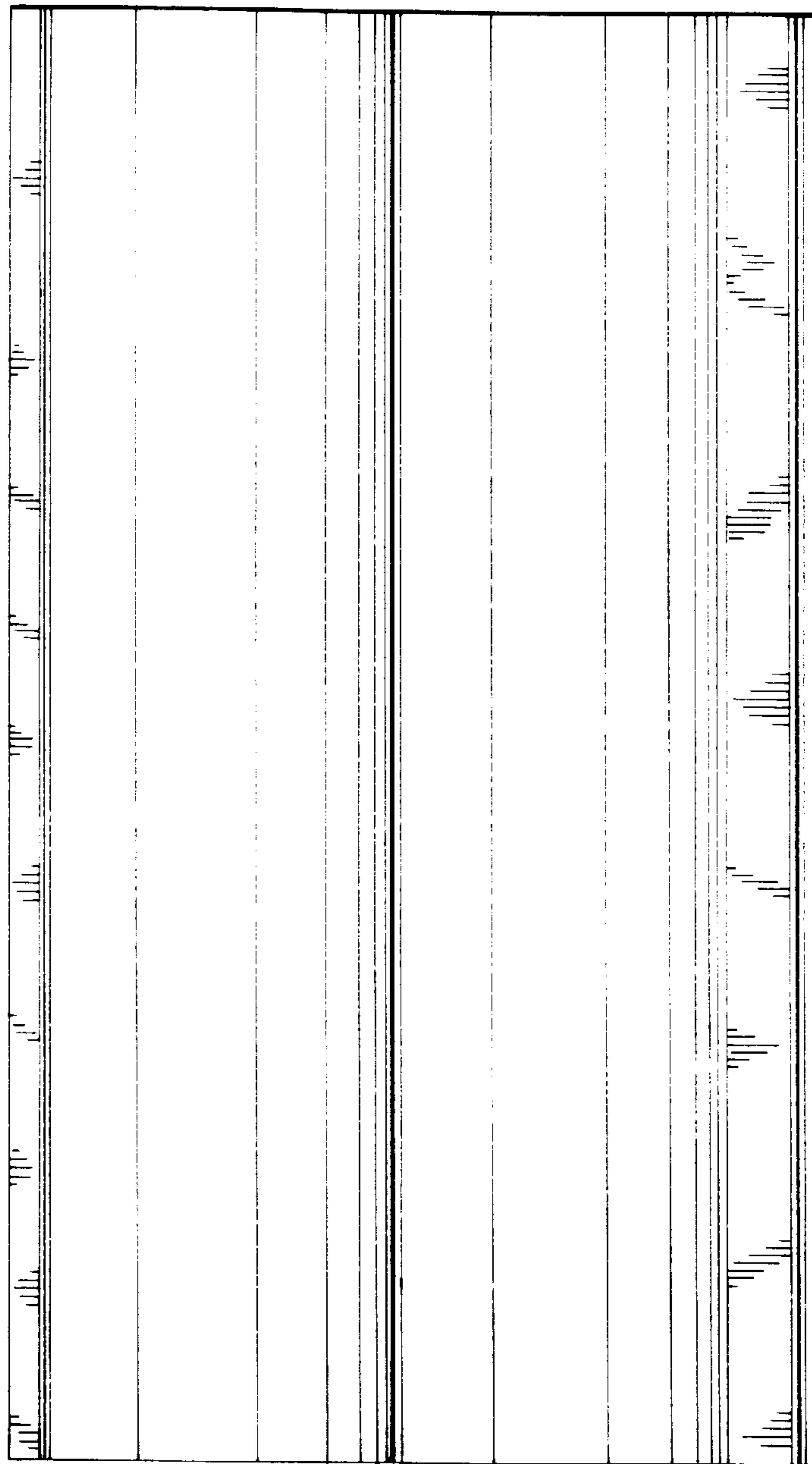


FIG. 4

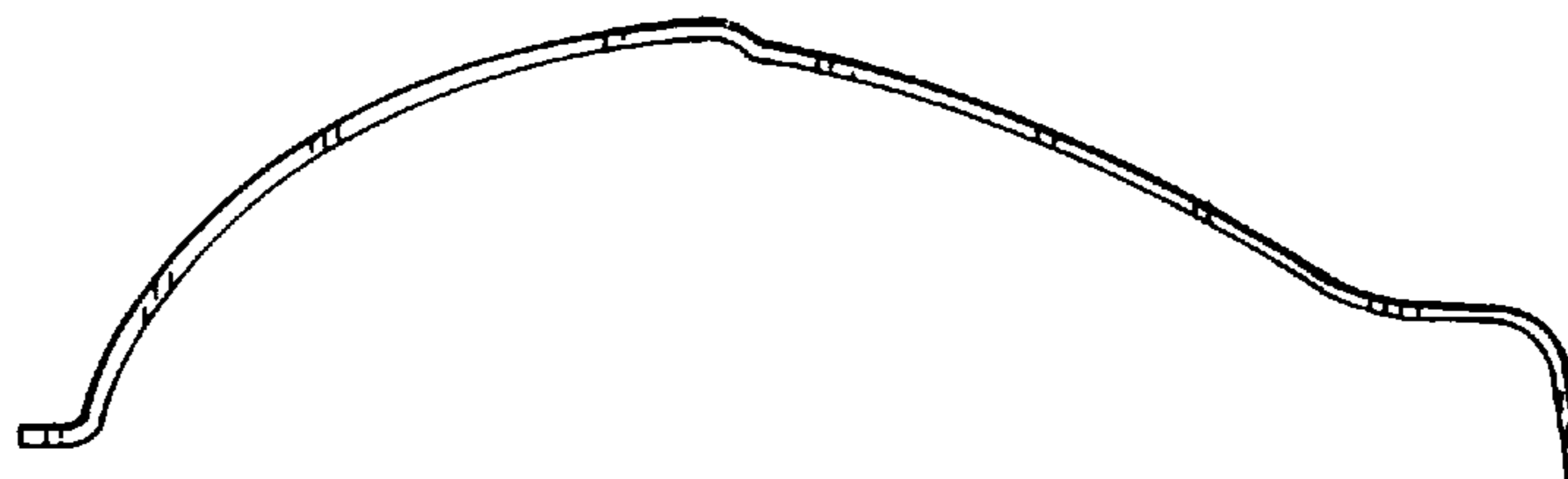


FIG. 3

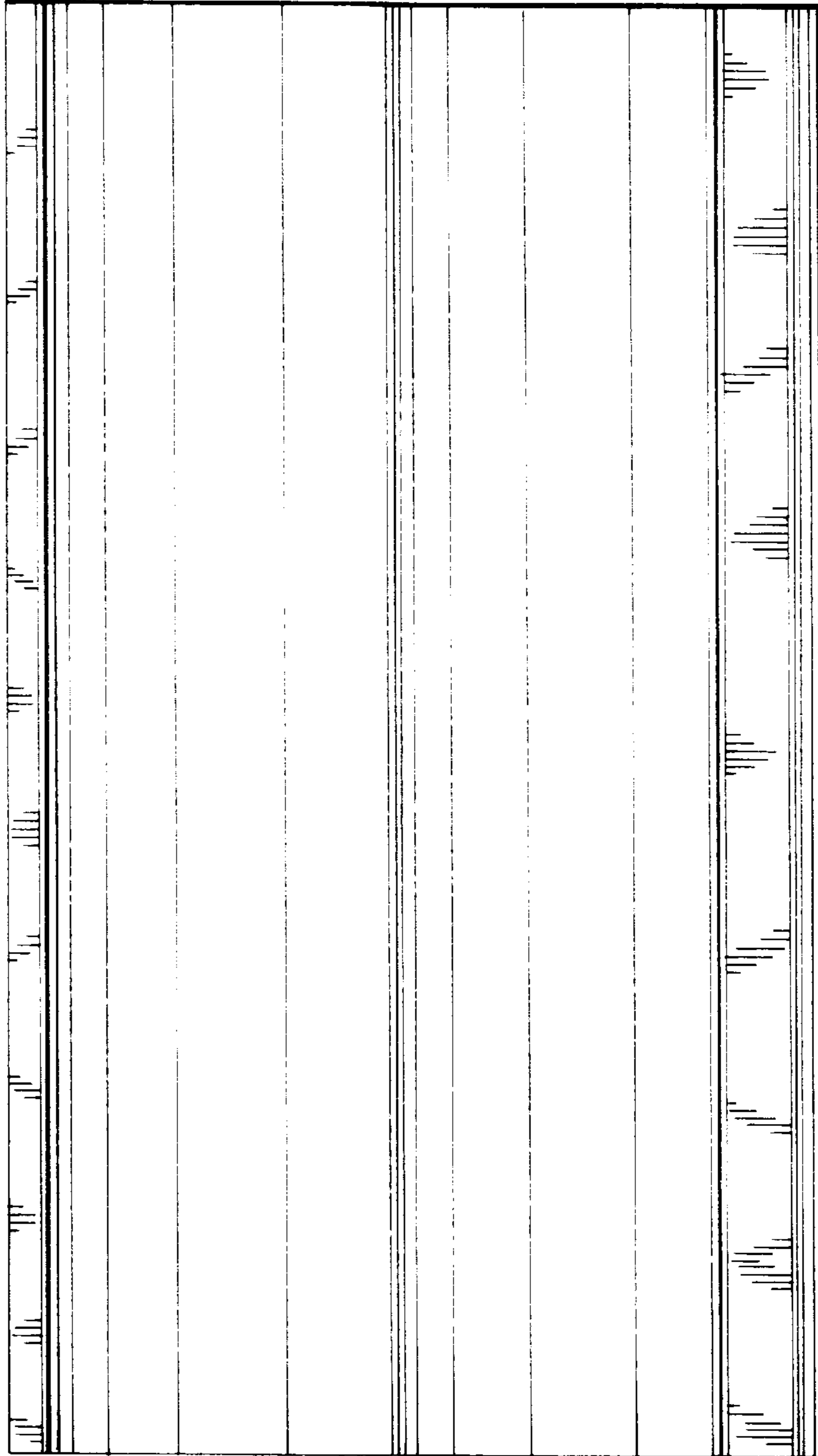


FIG. 5

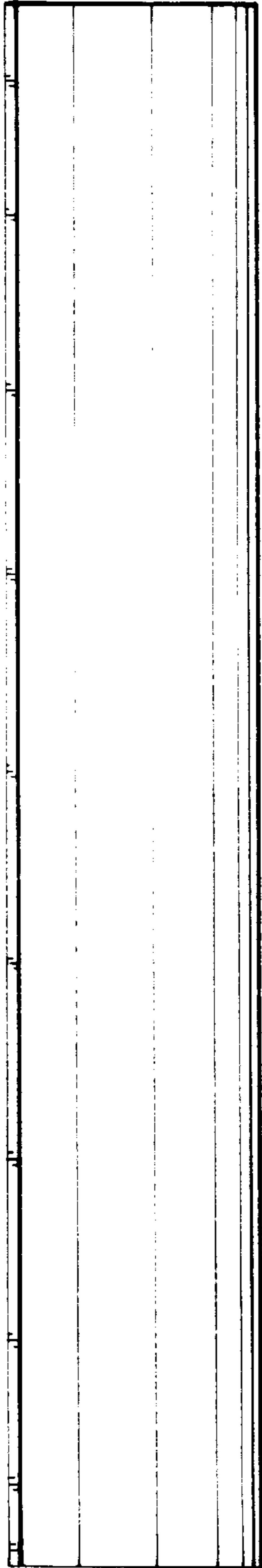


FIG. 6

