



US00D395454S

United States Patent [19] Hayashi

[11] **Patent Number: Des. 395,454**

[45] **Date of Patent: **Jun. 23, 1998**

[54] **DISPLAY DEVICE**

[75] Inventor: **Katsuhiko Hayashi**, Sagamihara, Japan

[73] Assignee: **Fujitsu General Limited**, Japan

[**] Term: **14 Years**

[21] Appl. No.: **65,618**

[22] Filed: **Jan. 30, 1997**

[30] **Foreign Application Priority Data**

Aug. 9, 1996 [JP] Japan 8-24017

[51] **LOC (6) Cl.** **14-02**

[52] **U.S. Cl.** **D20/10; D14/113**

[58] **Field of Search** D20/10, 39, 19,
D20/40, 41, 42; D14/130, 113; D19/52;
40/538, 540, 541, 624; 362/812, 811

[56] **References Cited**

U.S. PATENT DOCUMENTS

D. 205,493 8/1966 Vogt D20/10
D. 244,725 6/1977 Niehaus et al. D20/42

D. 356,557 3/1995 Takemasa et al. D14/113
D. 362,868 10/1995 Calder D20/42
D. 372,273 7/1996 Egan et al. D20/42
D. 381,966 8/1997 Rodd D14/113
D. 382,259 8/1997 Nagai et al. D14/113

Primary Examiner—Susan J. Lucas
Assistant Examiner—Jennifer Rivard
Attorney, Agent, or Firm—Adams & Wilks

[57] **CLAIM**

The ornamental design for a display device, as shown and described.

DESCRIPTION

FIG. 1 is a front top perspective view of a display device showing my new design;
FIG. 2 is a front elevational view thereof;
FIG. 3 is a top plan view thereof;
FIG. 4 is a left side elevational view thereof;
FIG. 5 is a right side elevational view thereof;
FIG. 6 is a rear elevational view thereof; and,
FIG. 7 is a bottom plan view thereof.

1 Claim, 2 Drawing Sheets

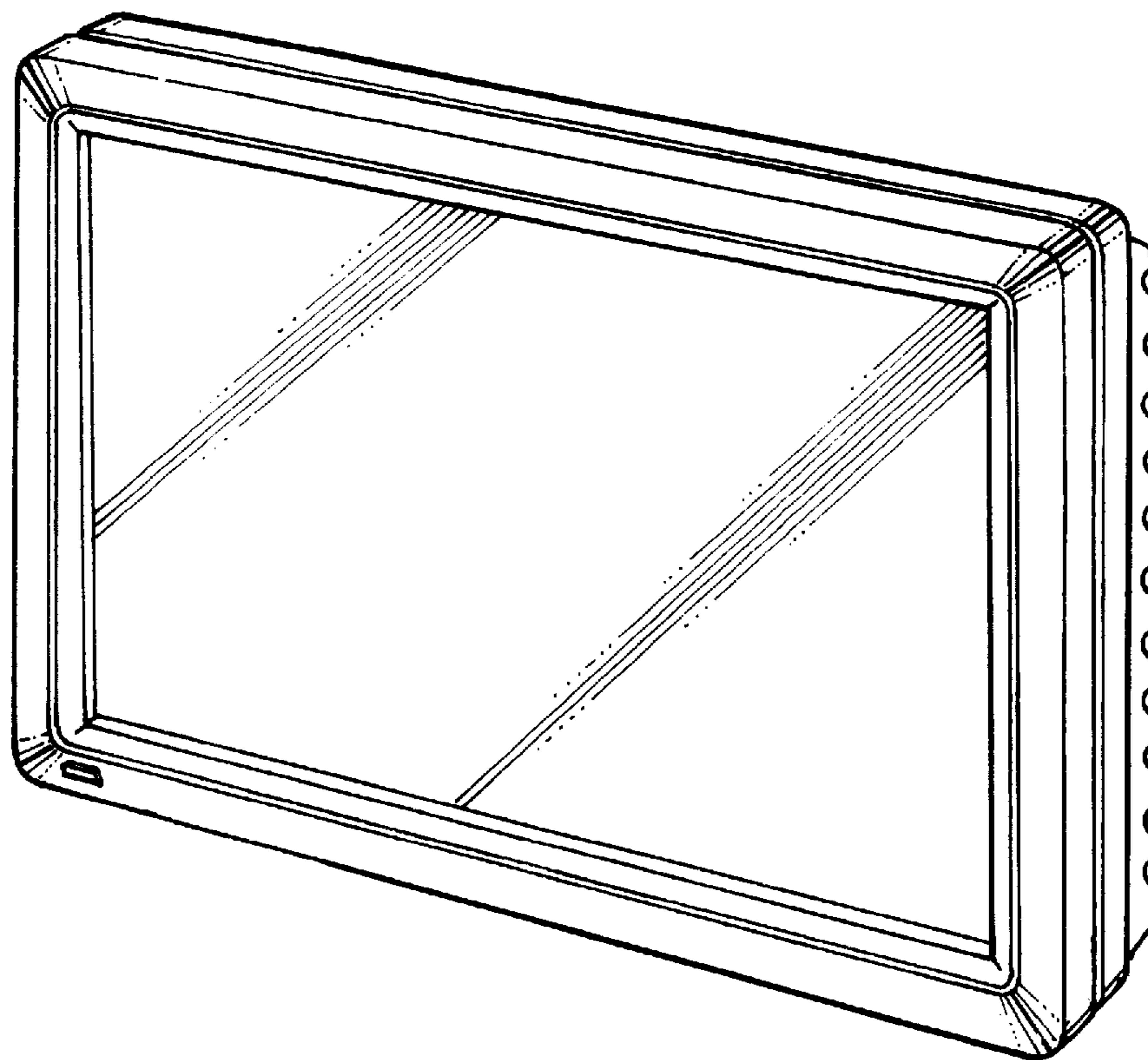


FIG. 1

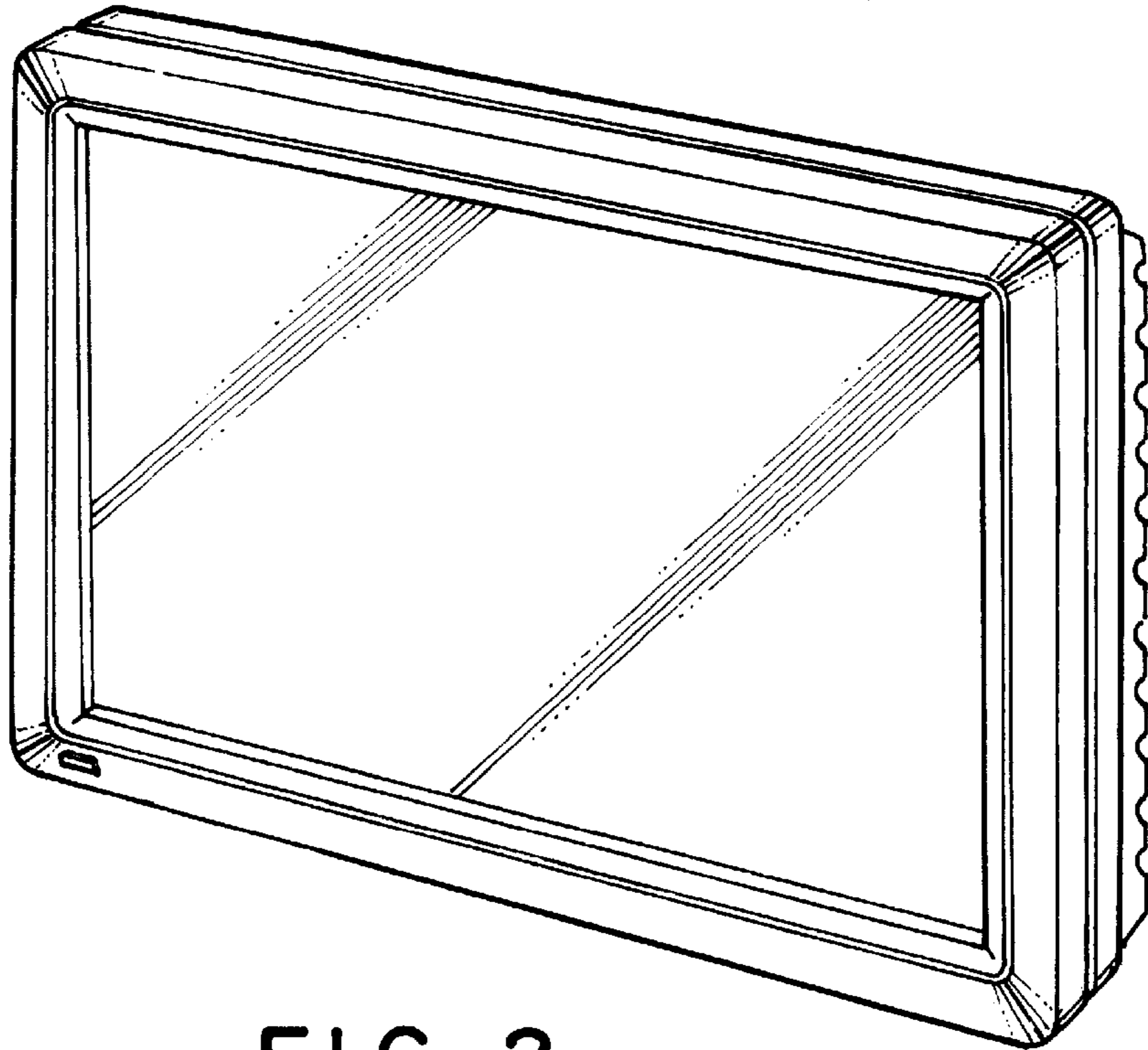


FIG. 2

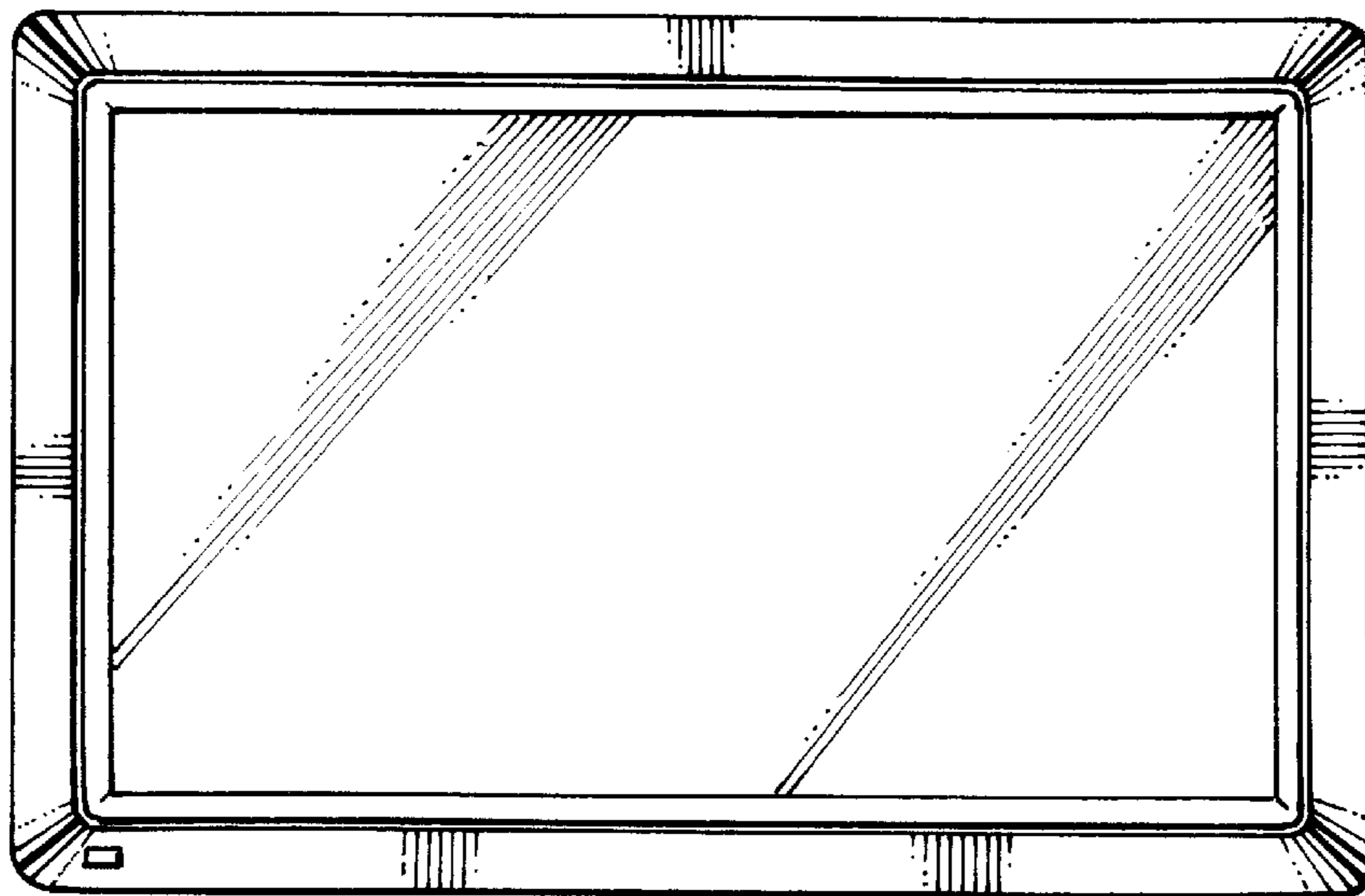


FIG. 3

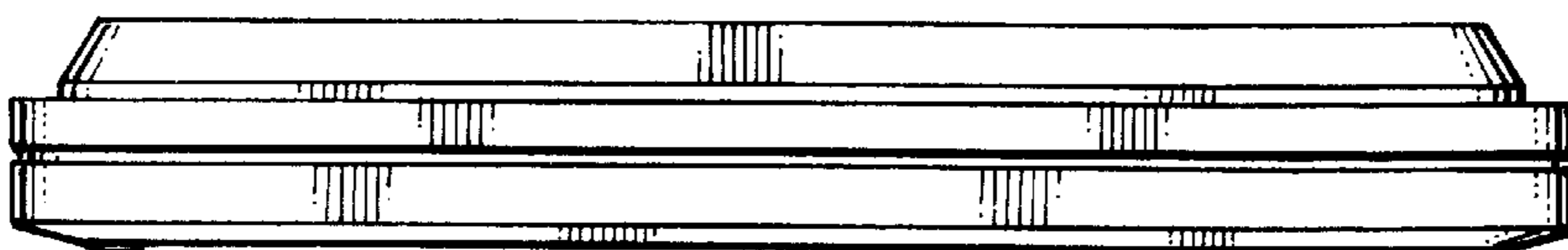


FIG. 4

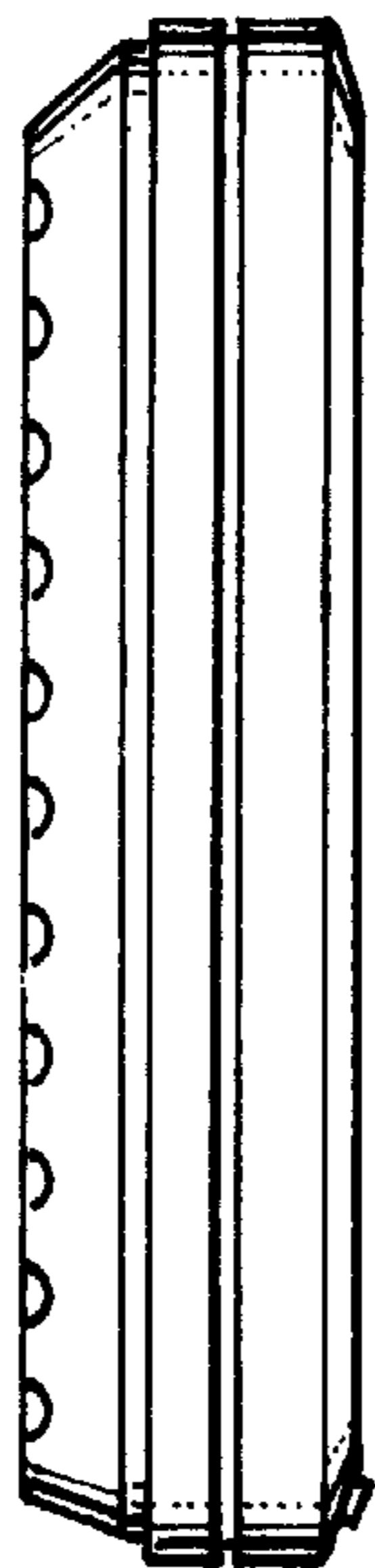


FIG. 5

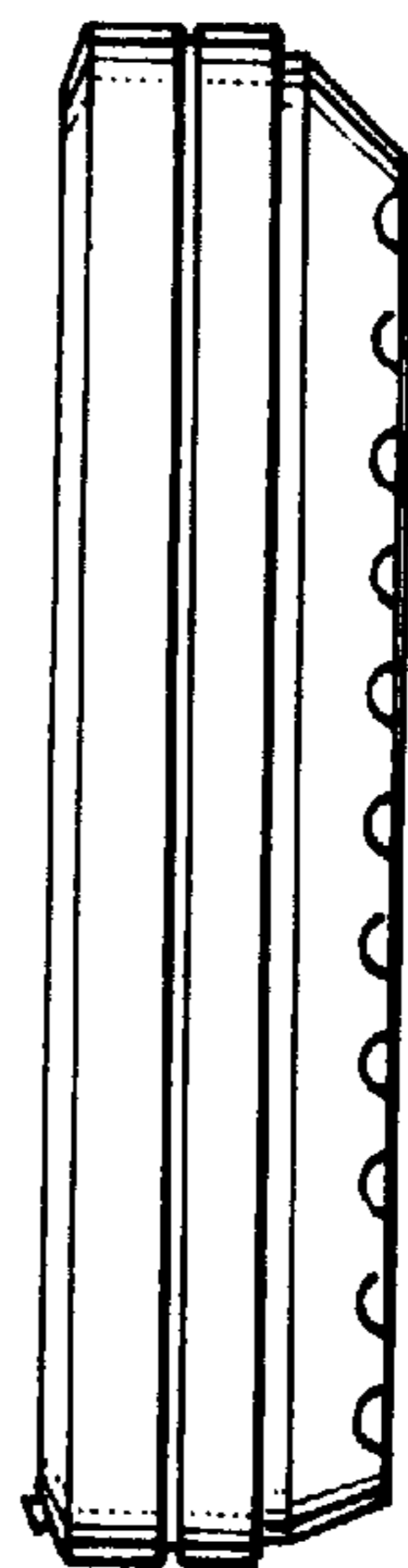


FIG. 6

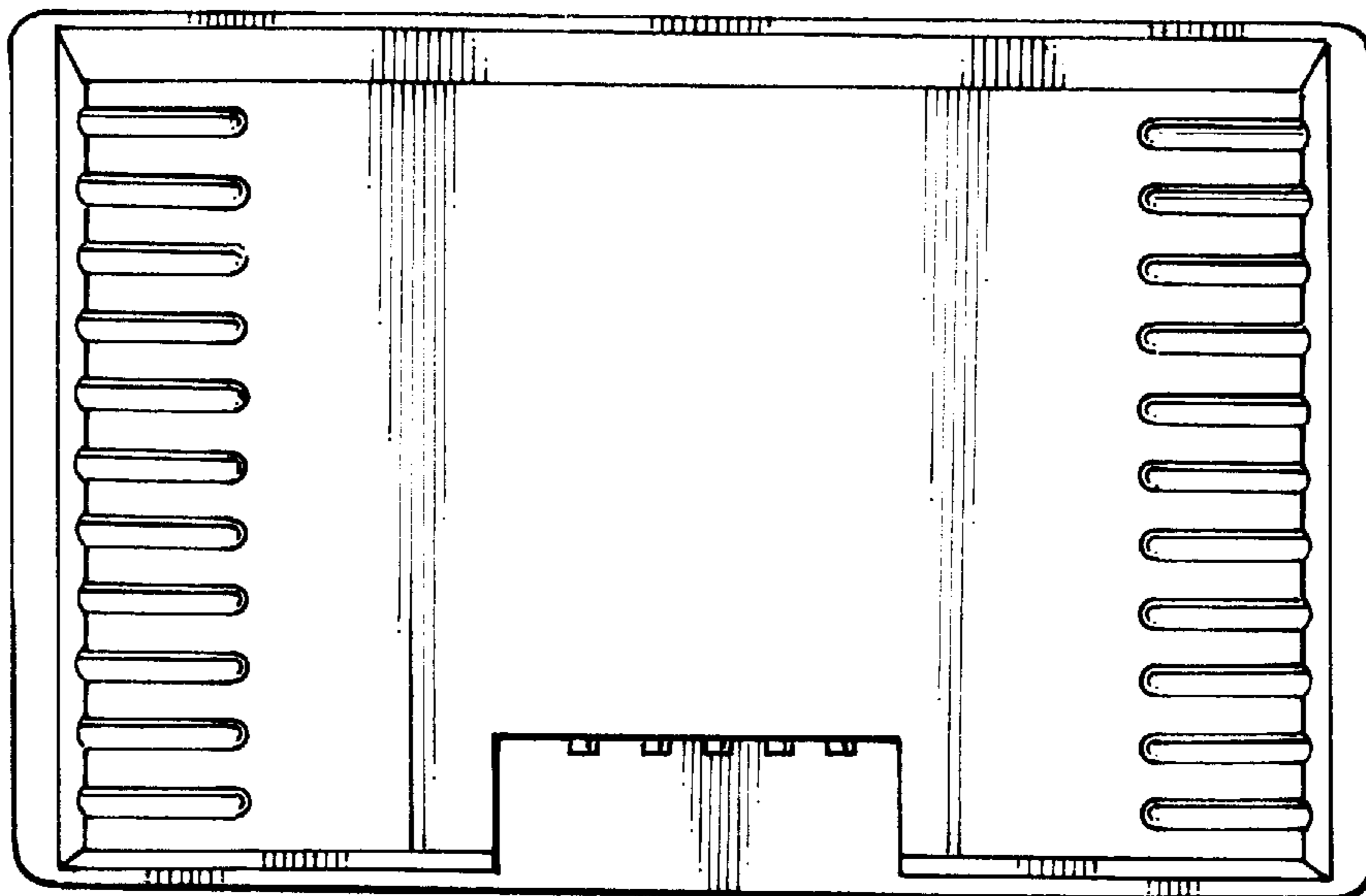


FIG. 7

