



US00D395453S

# United States Patent [19]

Kawasaki et al.

[11] Patent Number: Des. 395,453

[45] Date of Patent: \*\*Jun. 23, 1998

[54] **DISPLAY DEVICE**

[75] Inventors: **Kazuo Kawasaki**, Nagoya; **Akira Hashimoto**, Machida; **Katsuhiko Hayashi**, Sagamihara; **Akihiko Ishizuka**, Narashino; **Hidefumi Yamaguchi**, Kawasaki; **Takashi Ifuji**, Tokyo, all of Japan

[73] Assignees: **Fujitsu General Limited; Fujitsu Limited**, both of Japan

[\*\*] Term: **14 Years**

[21] Appl. No.: **58,529**

[22] Filed: **Aug. 16, 1996**

[30] **Foreign Application Priority Data**

Feb. 19, 1996 [JP] Japan ..... 8-4110

[51] **LOC (6) Cl.** ..... **20-03**

[52] **U.S. Cl.** ..... **D20/10; D14/113**

[58] **Field of Search** ..... 40/546, 564, 605, 40/541, 544, 542, 584, 606; D20/41, 10, 42; D14/113

[56] **References Cited**

**U.S. PATENT DOCUMENTS**

D. 288,101 2/1987 Rohrer, III ..... D20/10

D. 339,574 9/1993 Althans et al. .... D14/113  
D. 350,555 9/1994 Field et al. .... D20/10 X  
D. 355,649 2/1995 Gale et al. .... D14/113 X  
D. 356,078 3/1995 Usui et al. .... D14/113 X

*Primary Examiner*—Susan J. Lucas  
*Assistant Examiner*—Jennifer Regester  
*Attorney, Agent, or Firm*—Adams & Wilks

[57] **CLAIM**

The ornamental design for a display device, as shown and described.

**DESCRIPTION**

FIG. 1 is a front top perspective view of a display device showing our new design;

FIG. 2 is a front elevational view thereof;

FIG. 3 is a right side elevational view thereof;

FIG. 4 is a left side elevational view thereof;

FIG. 5 is a rear elevational view thereof;

FIG. 6 is a top plan view thereof; and,

FIG. 7 is a bottom plan view thereof.

**1 Claim, 3 Drawing Sheets**

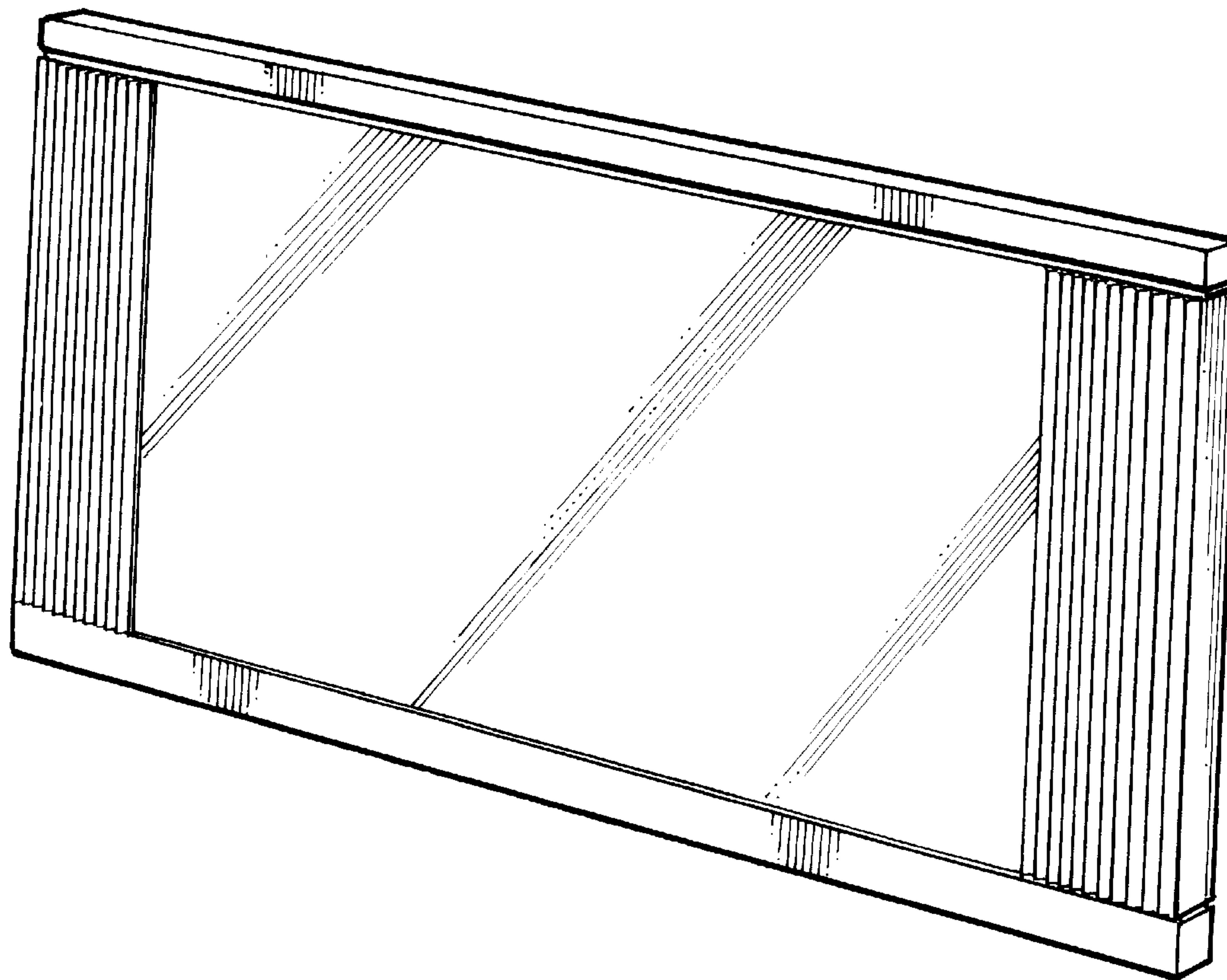


FIG. 1

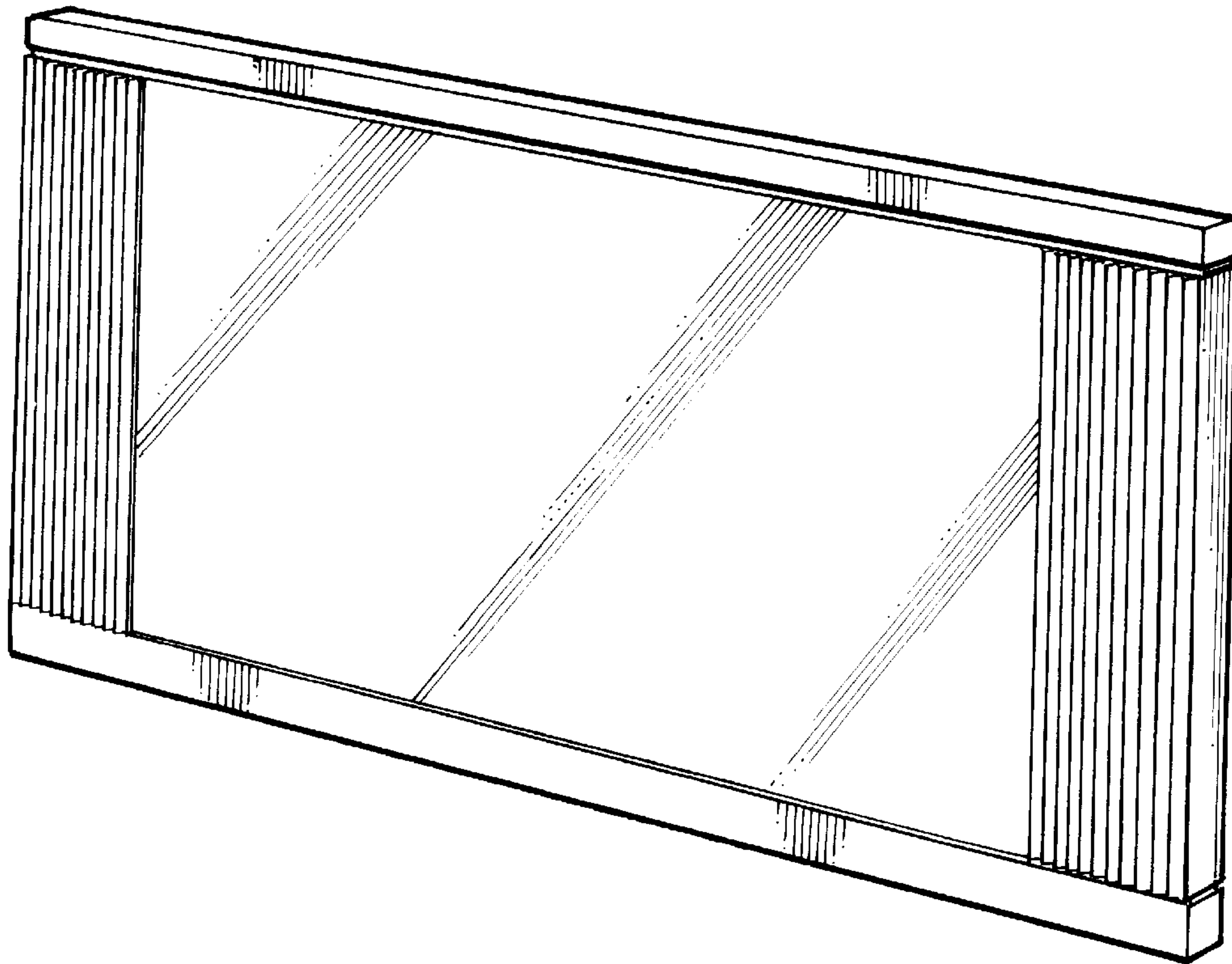


FIG. 2

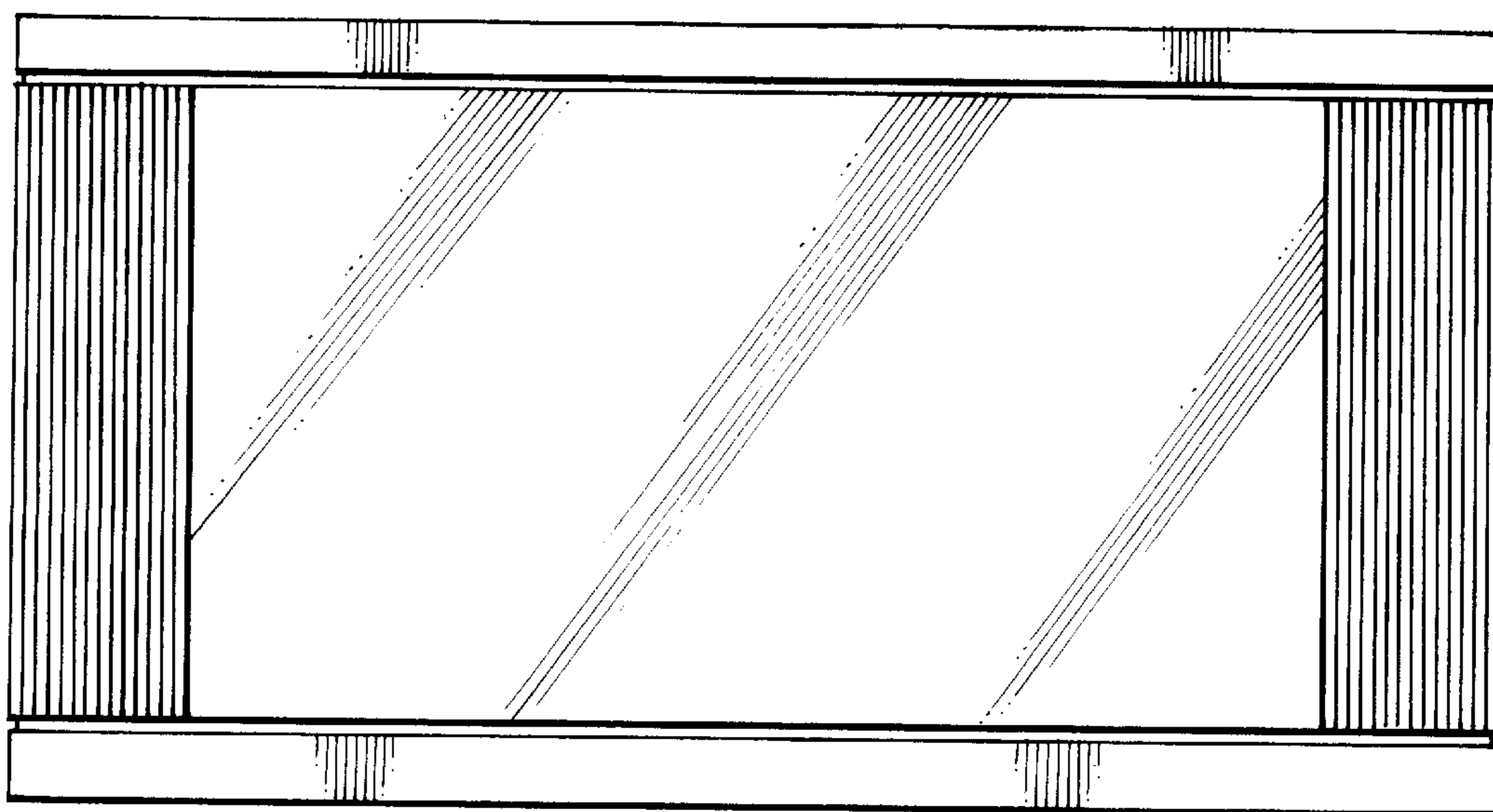


FIG. 3

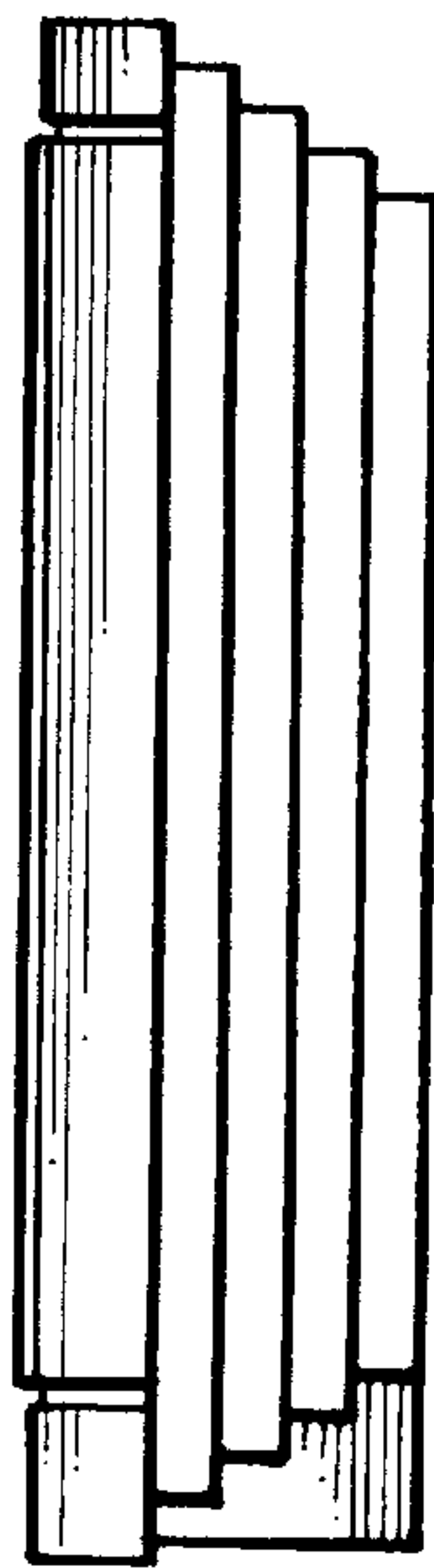


FIG. 4



FIG. 5

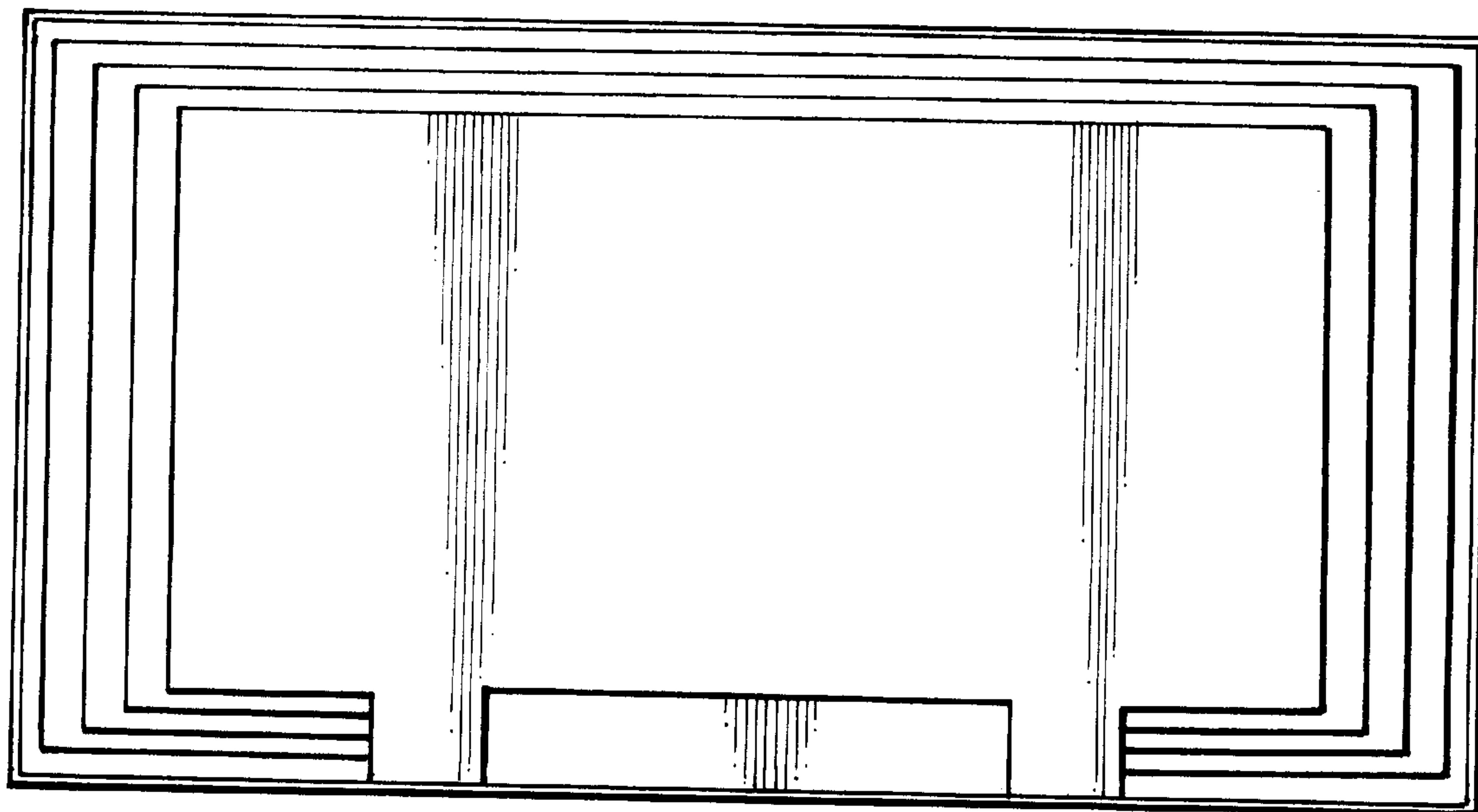


FIG. 6



FIG. 7

