

US00D395451S

United States Patent [19]

Bobik et al.

[11] Patent Number: **Des. 395,451**

[45] Date of Patent: ****Jun. 23, 1998**

[54] **HANGING FILE ADAPTER**

[75] Inventors: **Larry W. Bobik**, Knoxville, Tenn.;
Patrick M. Green, Cerritos, Calif.;
Robert R. Huerto, Farragut, Tenn.

[73] Assignee: **Newell Office Products, Inc.**, Freeport, Ill.

[**] Term: **14 Years**

[21] Appl. No.: **62,559**

[22] Filed: **Nov. 18, 1996**

[51] **LOC (6) Cl.** **19-99**

[52] **U.S. Cl.** **D19/99; D19/90; D8/382**

[58] **Field of Search** **D6/300; D19/65, D19/92, 49, 99, 100, 75; D8/382, 395; 211/55, 46, 71, 113, 204, 162, 182, 126, 189; 312/183, 184; 403/172, 176, 205, 217, 402, 403; 446/126**

[56] **References Cited**

U.S. PATENT DOCUMENTS

D. 105,859	8/1937	Fry	D19/49
D. 172,667	7/1954	Isensee, Jr.	D6/300 X
D. 271,289	11/1983	Carlsson	D11/155 X
D. 321,372	11/1991	Evenson	D19/90
D. 350,155	8/1994	Fotioo	D19/99
D. 350,565	9/1994	Fotioo	D19/99

1,414,130	4/1922	Hislop	.	
4,030,610	6/1977	Alexander	211/182
4,081,080	3/1978	Rorex	211/55
4,091,933	5/1978	Alexander	211/204
4,176,753	12/1979	Godfrey	211/189 X
4,526,277	7/1985	Snowdeu et al.	211/46
4,998,630	3/1991	Schwartz	211/71

OTHER PUBLICATIONS

P. 45, Hanging file adapter; Eldon-Rubbermaid Office Products, 1130 East 230th Street, Carson, California 90745-5094. Publication date 1992.

Primary Examiner—Martie Thompson
Attorney, Agent, or Firm—Foley & Lardner

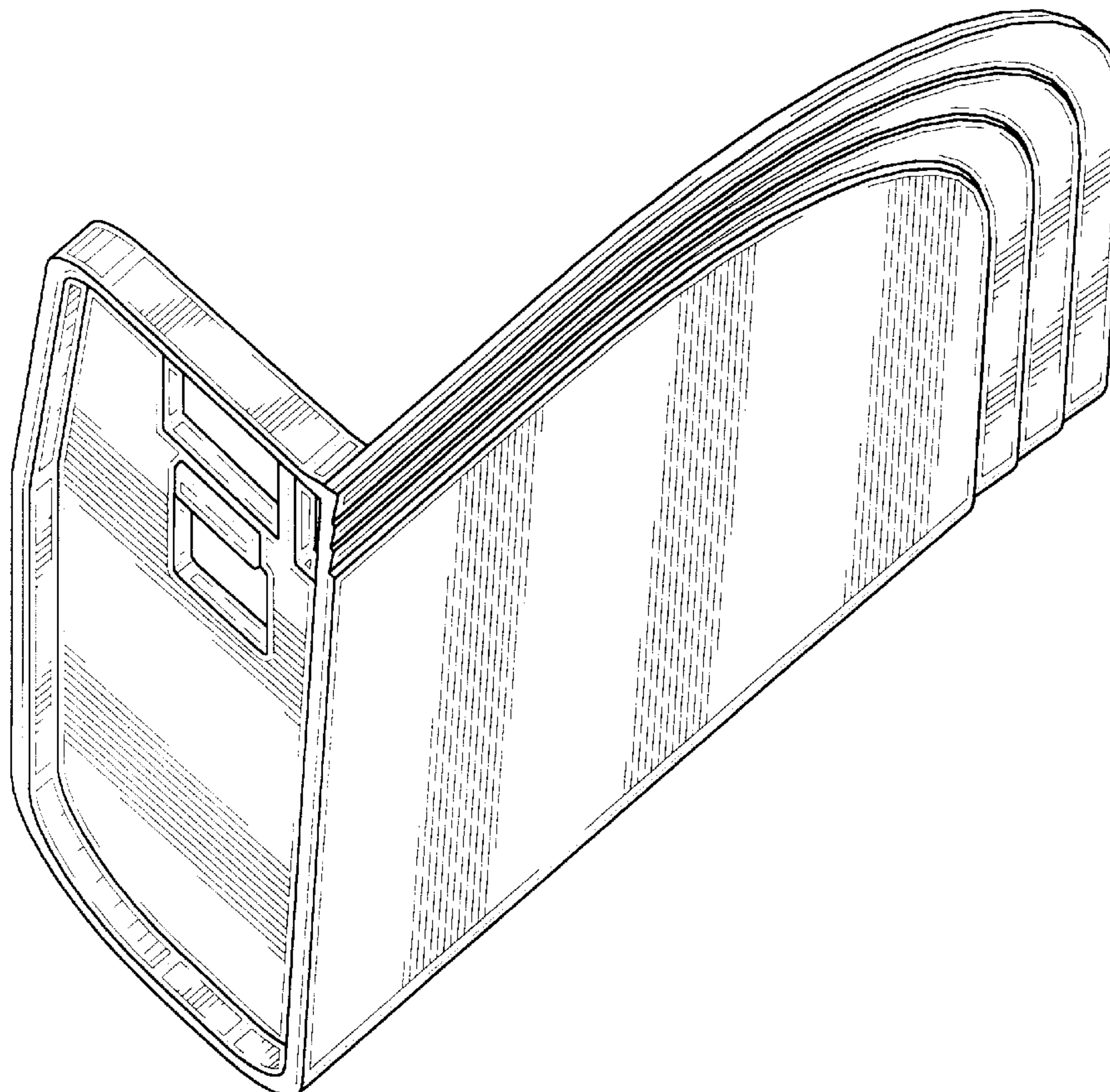
[57] **CLAIM**

The ornamental design for a hanging file adapter, as shown and described.

DESCRIPTION

FIG. 1 is a top left front perspective view of a hanging file adapter showing our new design;
FIG. 2 is a right side elevational view thereof;
FIG. 3 is a left side elevational view thereof;
FIG. 4 is a front elevational view thereof;
FIG. 5 is a rear elevational view thereof; and,
FIG. 6 is a top plan view thereof, in reduced scale.

1 Claim, 4 Drawing Sheets



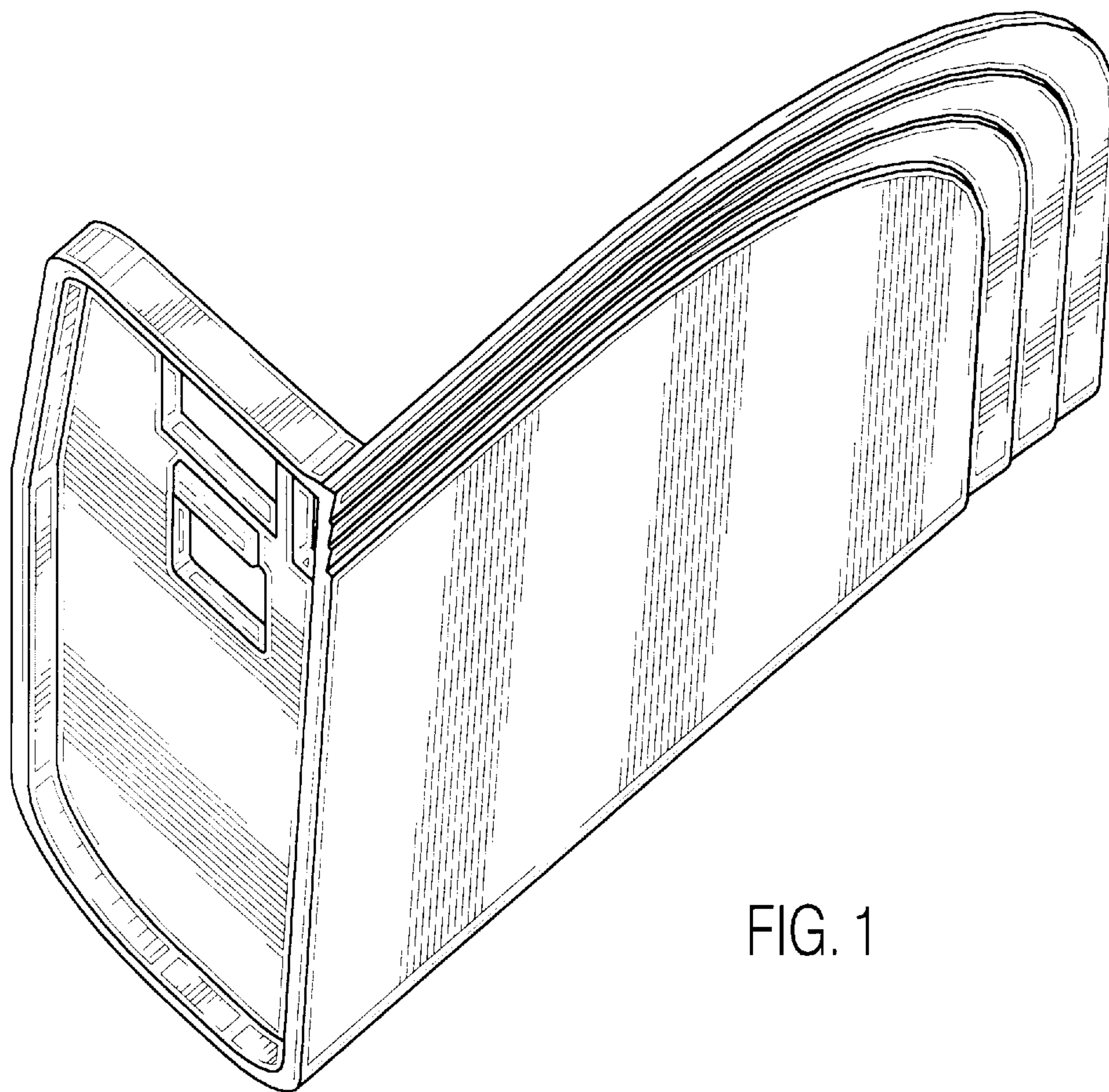


FIG. 1

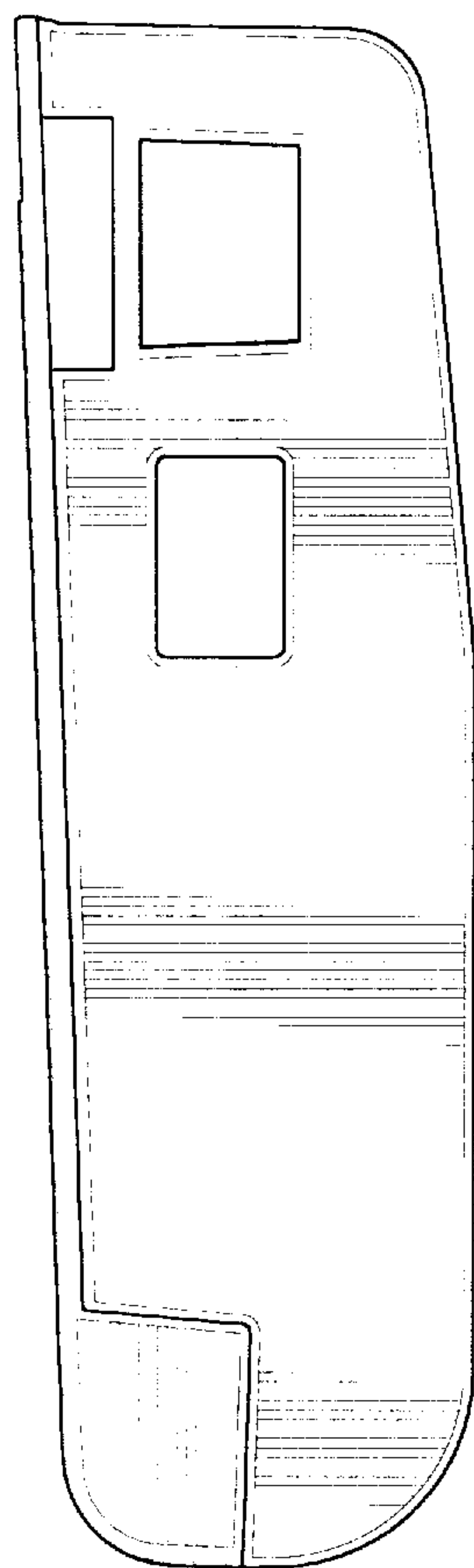


FIG. 2

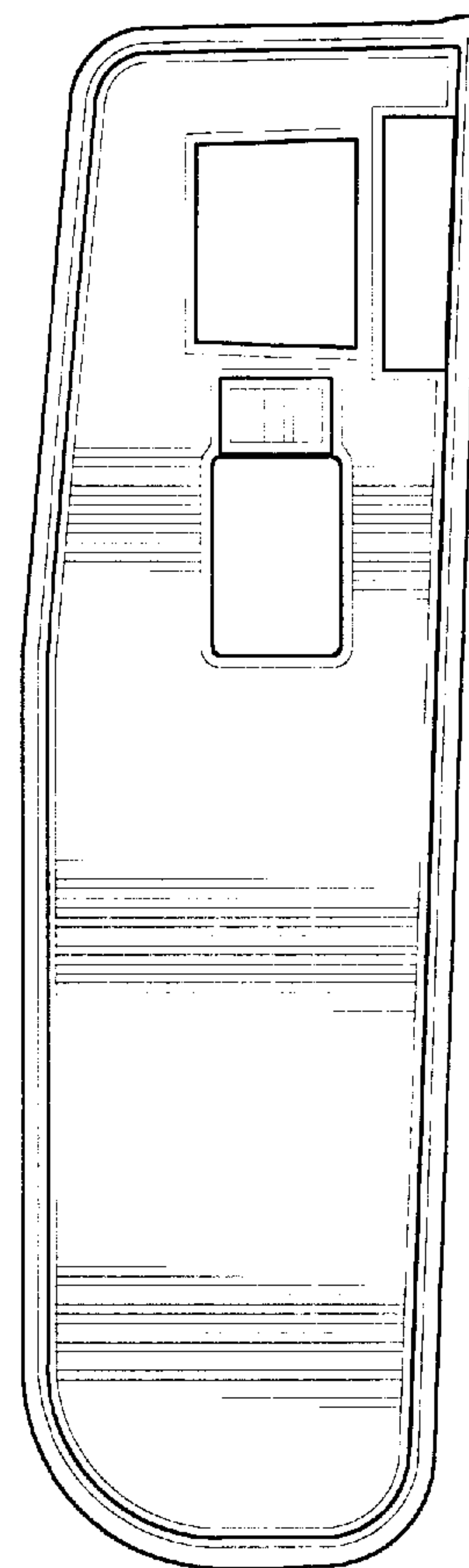


FIG. 3

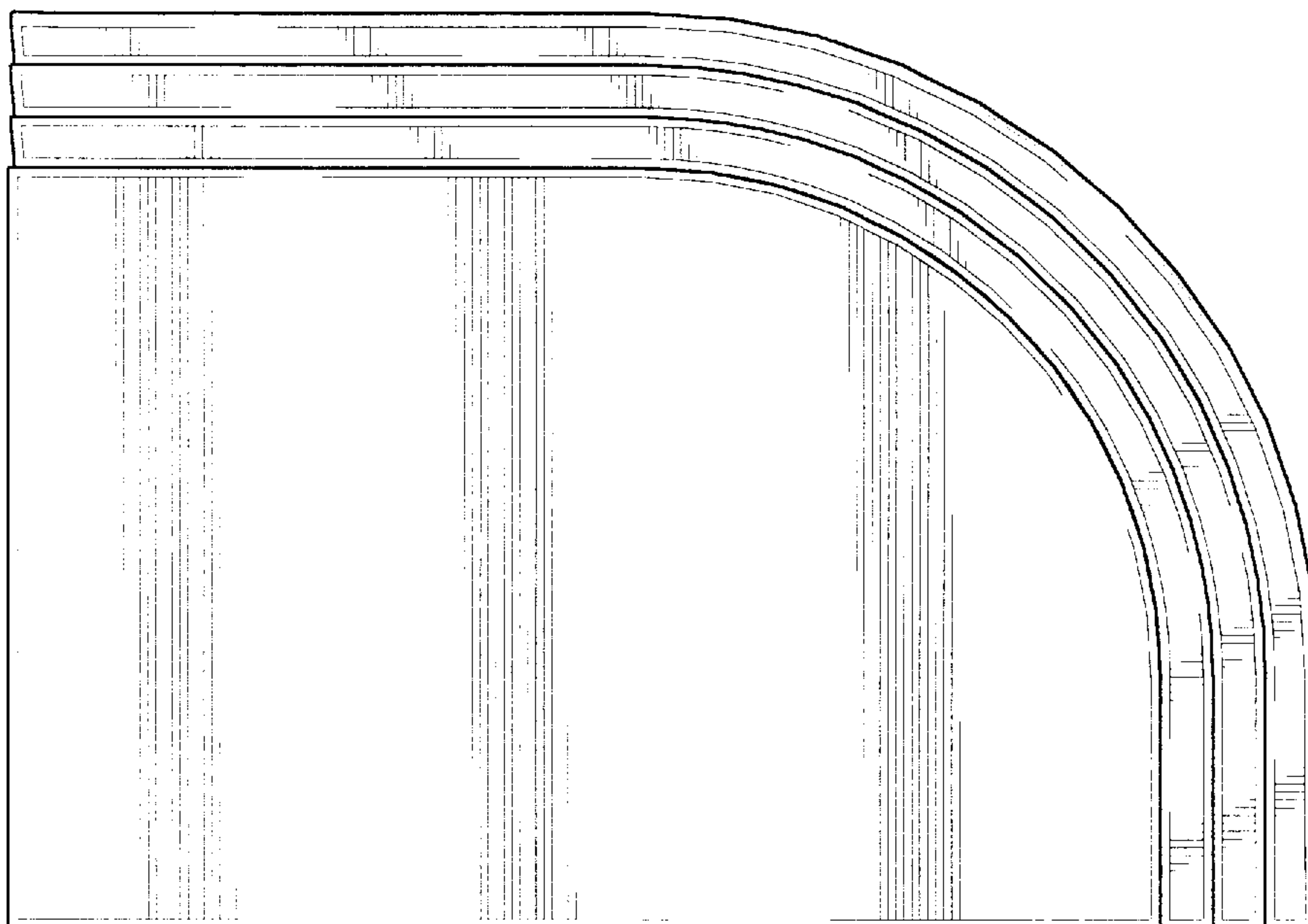


FIG. 4

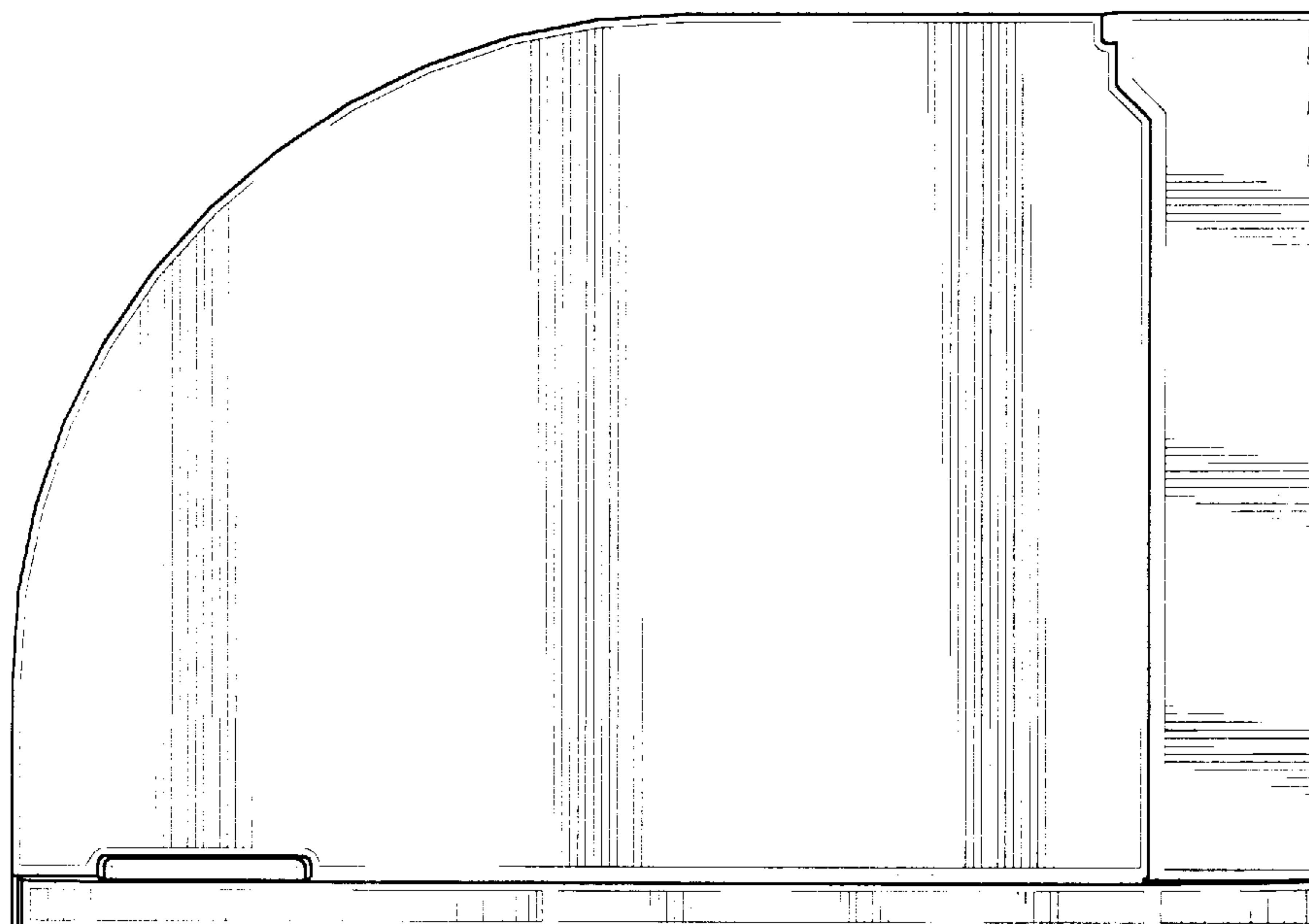


FIG. 5

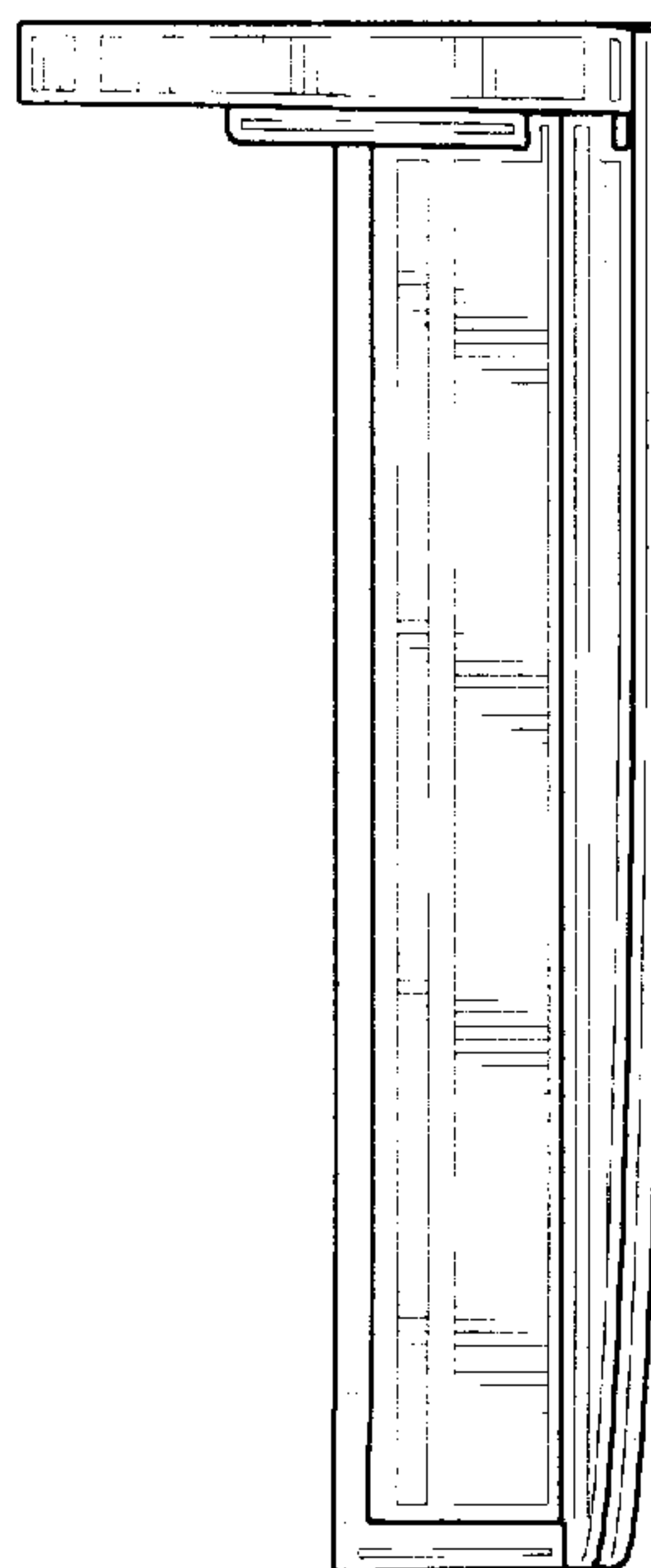


FIG. 6