



US00D395446S

United States Patent [19]

Tashiro et al.

[11] Patent Number: **Des. 395,446**

[45] Date of Patent: *****Jun. 23, 1998**

[54] **INK CARTRIDGE FOR PRINTER**

[75] Inventors: **Naoki Tashiro**, Kawasaki; **Akihiro Yamanaka**, Yokohama; **Keiichiro Tsukuda**, Kawasaki, all of Japan

[73] Assignee: **Canon Kabushiki Kaisha**, Tokyo, Japan

[*] Notice: The portion of the term of this patent subsequent to Dec. 10, 2010, has been disclaimed.

[**] Term: **14 Years**

[21] Appl. No.: **42,289**

[22] Filed: **Aug. 4, 1995**

[30] **Foreign Application Priority Data**

Feb. 6, 1995 [JP] Japan 7-2784

[51] **LOC (6) Cl.** **18-02**

[52] **U.S. Cl.** **D18/56**

[58] **Field of Search** D18/12, 42, 56;
347/86, 87, 42, 43

[56] **References Cited**

U.S. PATENT DOCUMENTS

- D. 235,743 7/1975 Kojima D18/56
- D. 326,111 5/1992 Otsuka et al. D18/56
- D. 338,232 8/1993 Kotaki et al. D18/56
- D. 348,478 7/1994 Ujita et al. D18/56

- D. 348,479 7/1994 Ujita et al. D18/56
- D. 348,480 7/1994 Ujita et al. D18/56
- D. 351,856 10/1994 Watanabe et al. D18/56
- D. 363,736 10/1995 Ujita et al. D18/56
- D. 367,884 3/1996 Taneya et al. D18/56

FOREIGN PATENT DOCUMENTS

- 523635 1/1993 European Pat. Off. 347/86
- 4369557 12/1992 Japan D18/56

OTHER PUBLICATIONS

Canon brochure; Replaceable BJ Cartridge; rear cover page, Jul. 1991.

Primary Examiner—Cathy Anne MacCormac
Attorney, Agent, or Firm—Fitzpatrick, Cella, Harper & Scinto

[57] **CLAIM**

The ornamental design for an ink cartridge for printer, as shown and described.

DESCRIPTION

FIG. 1 is a front elevational view of an ink cartridge for printer showing our new design;
FIG. 2 is a rear elevational view thereof;
FIG. 3 is a top plan view thereof;
FIG. 4 is a bottom plan view thereof;
FIG. 5 is a left side elevational view thereof;
FIG. 6 is a right side elevational view thereof; and
FIG. 7 is a perspective view thereof.

1 Claim, 1 Drawing Sheet

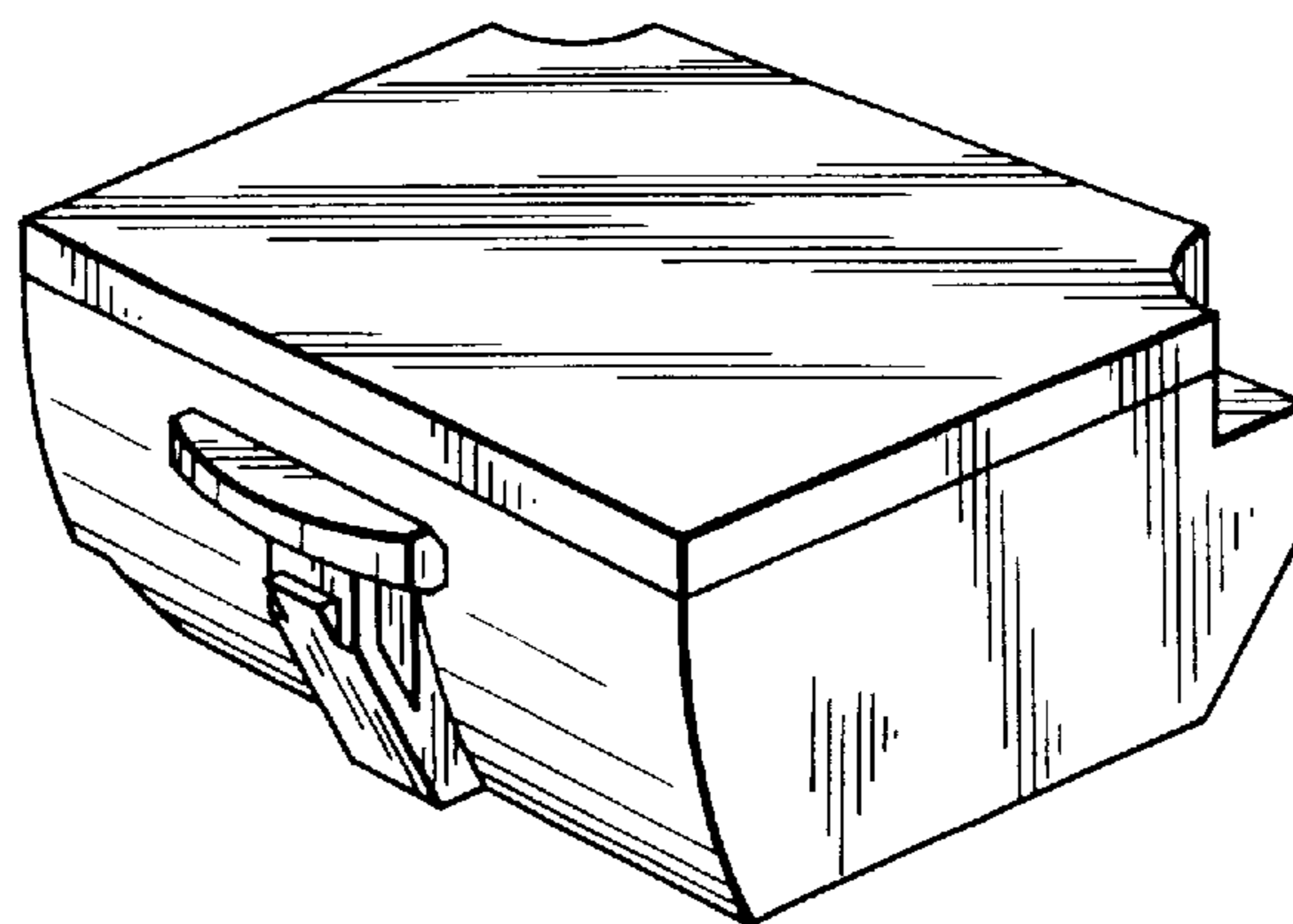


FIG. 1

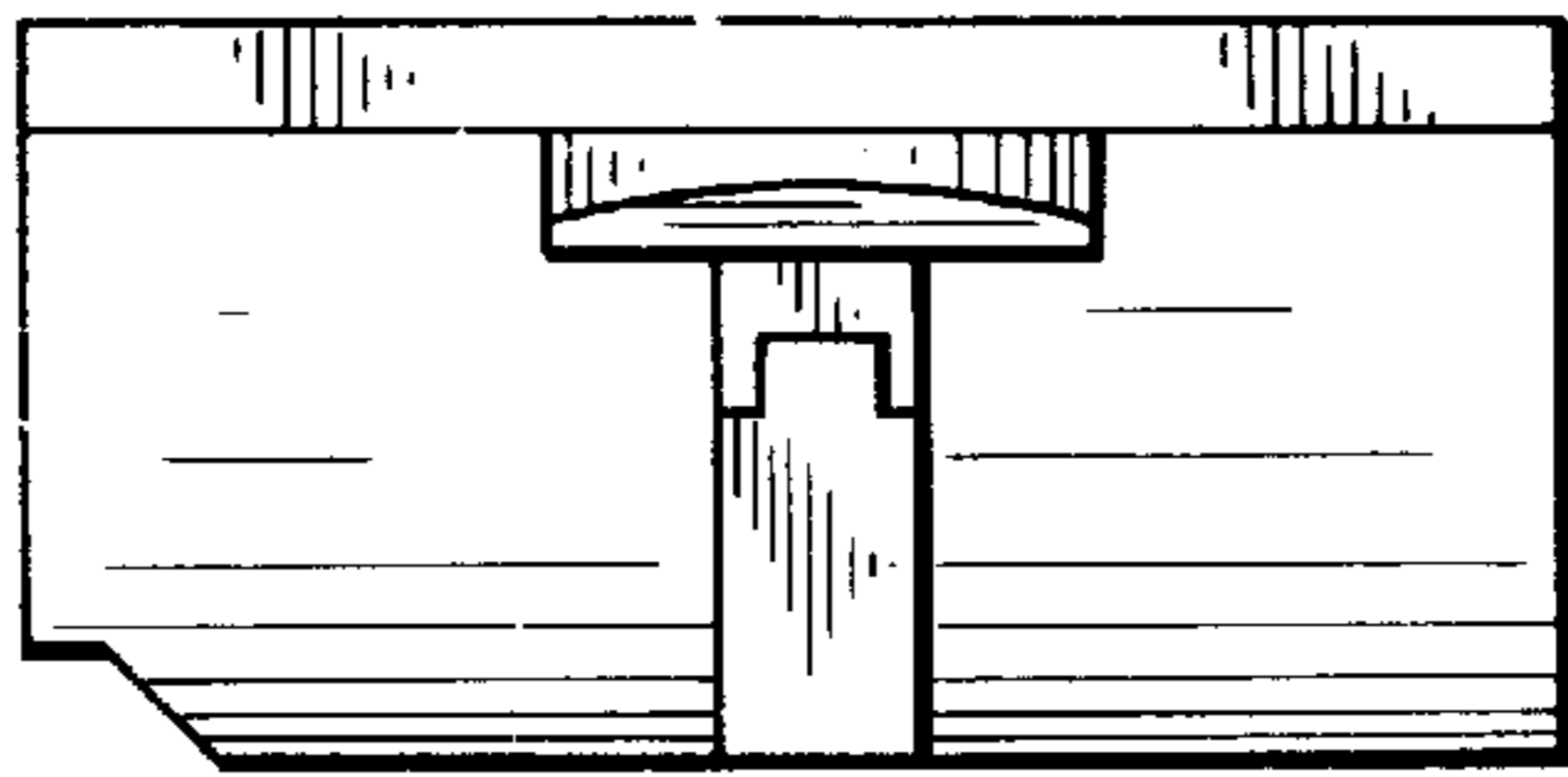


FIG. 2

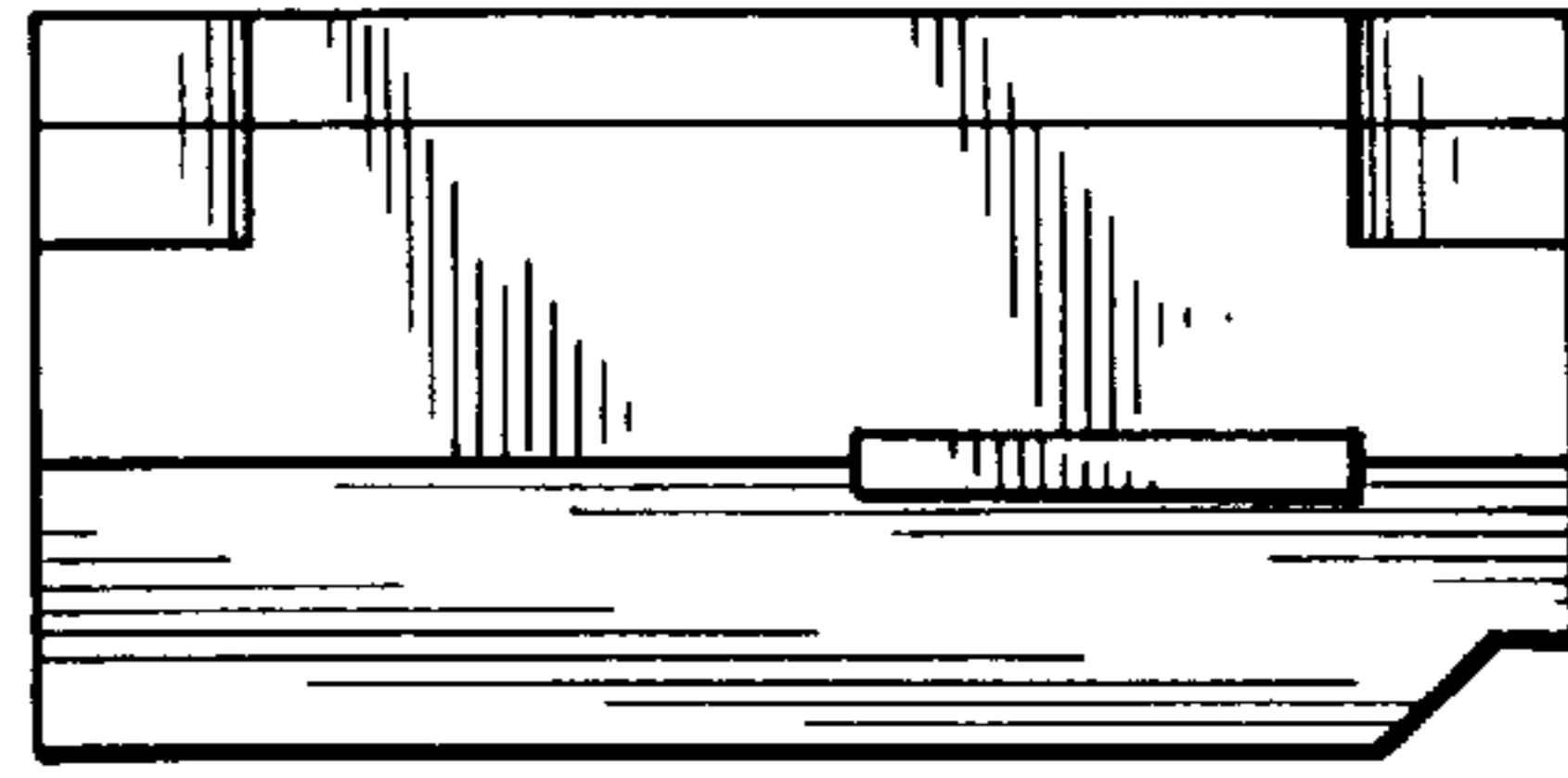


FIG. 3

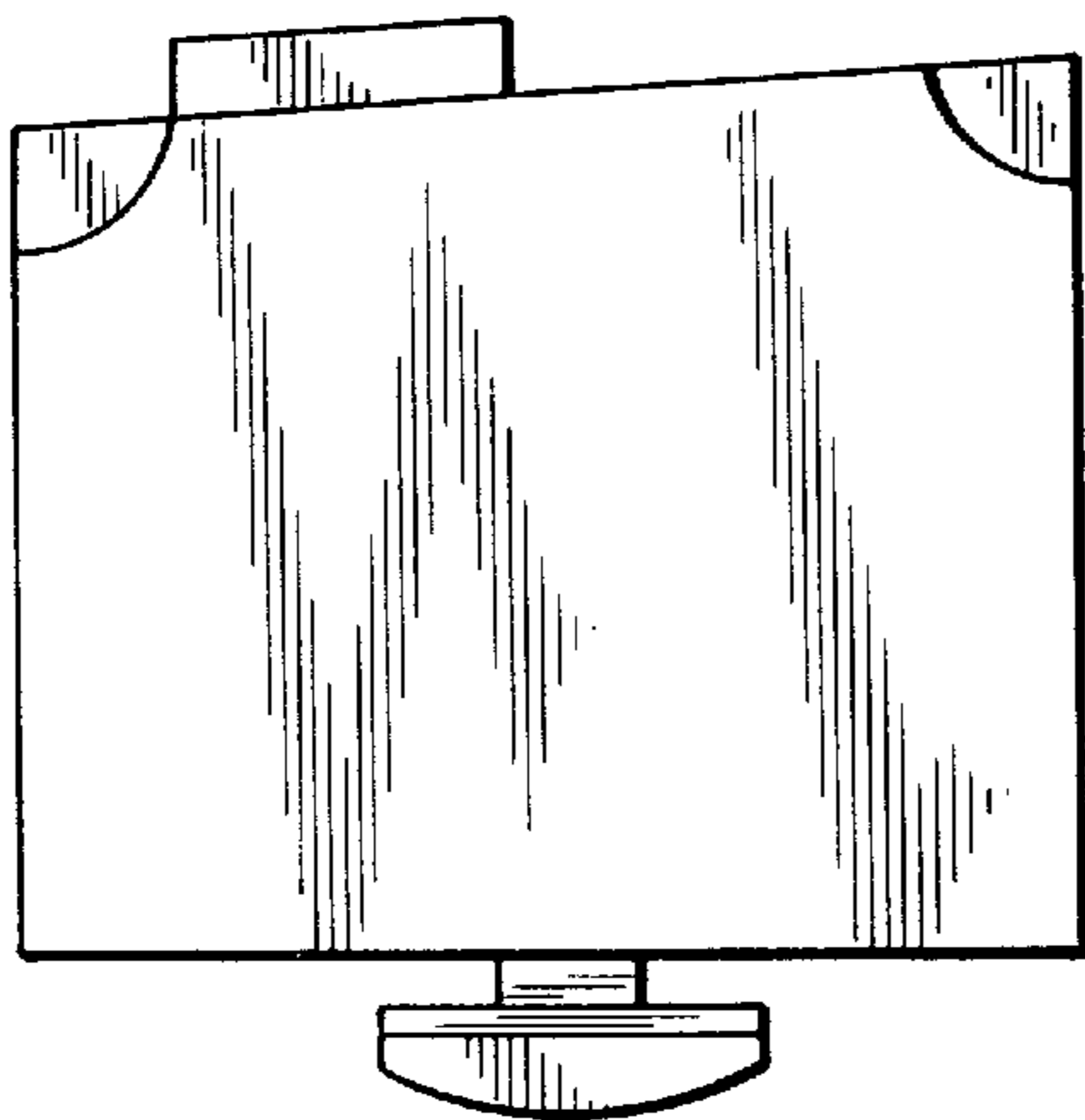


FIG. 4

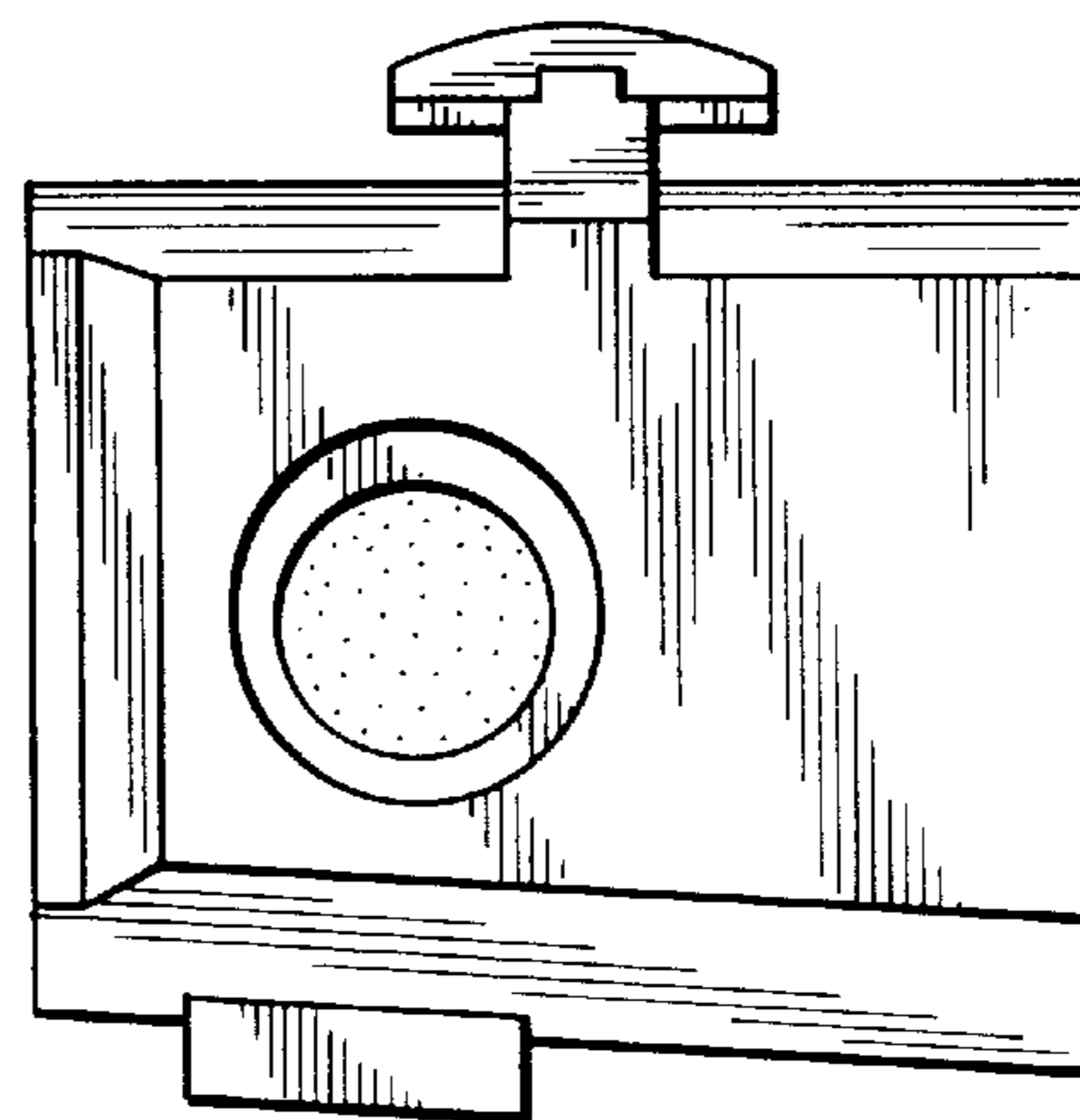


FIG. 5

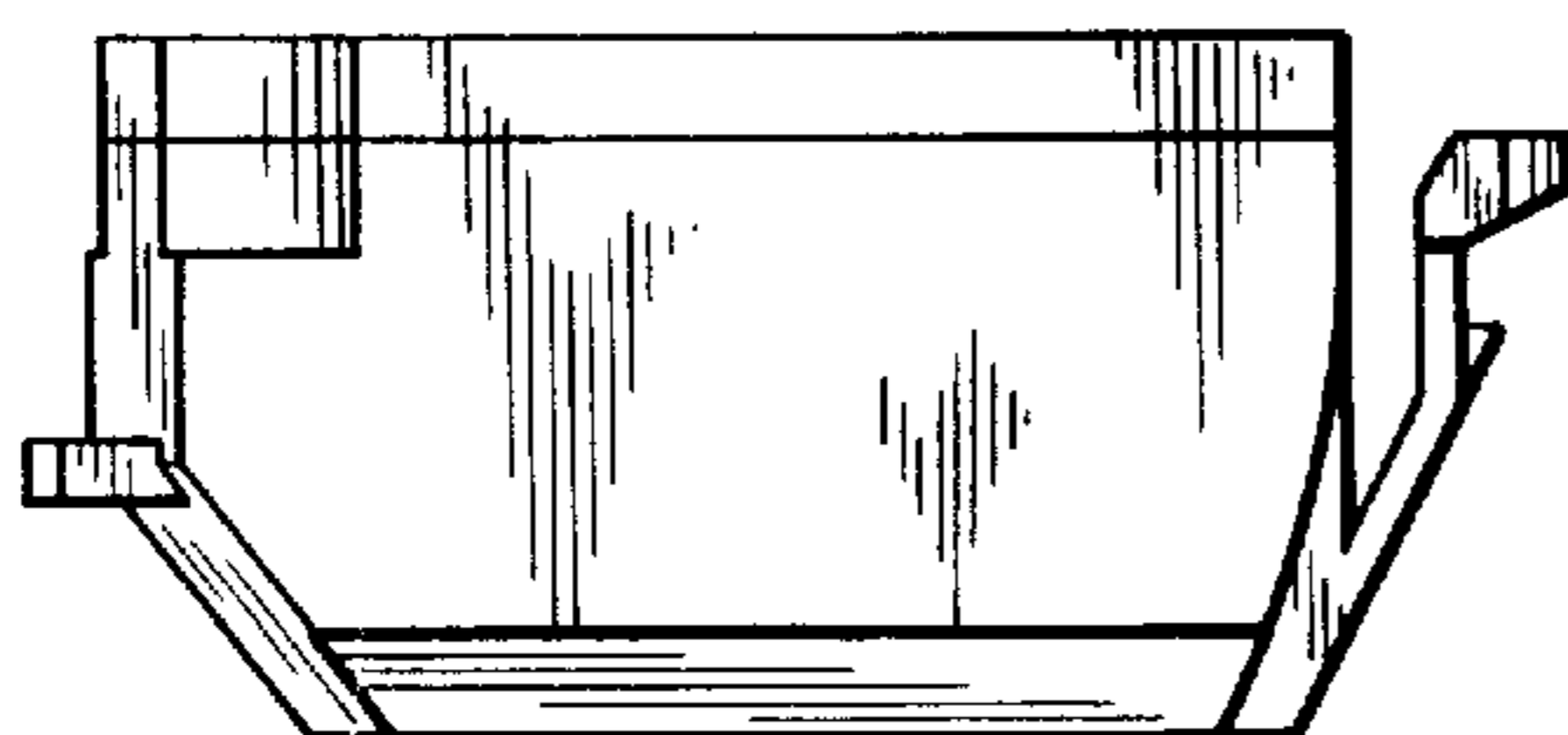


FIG. 6

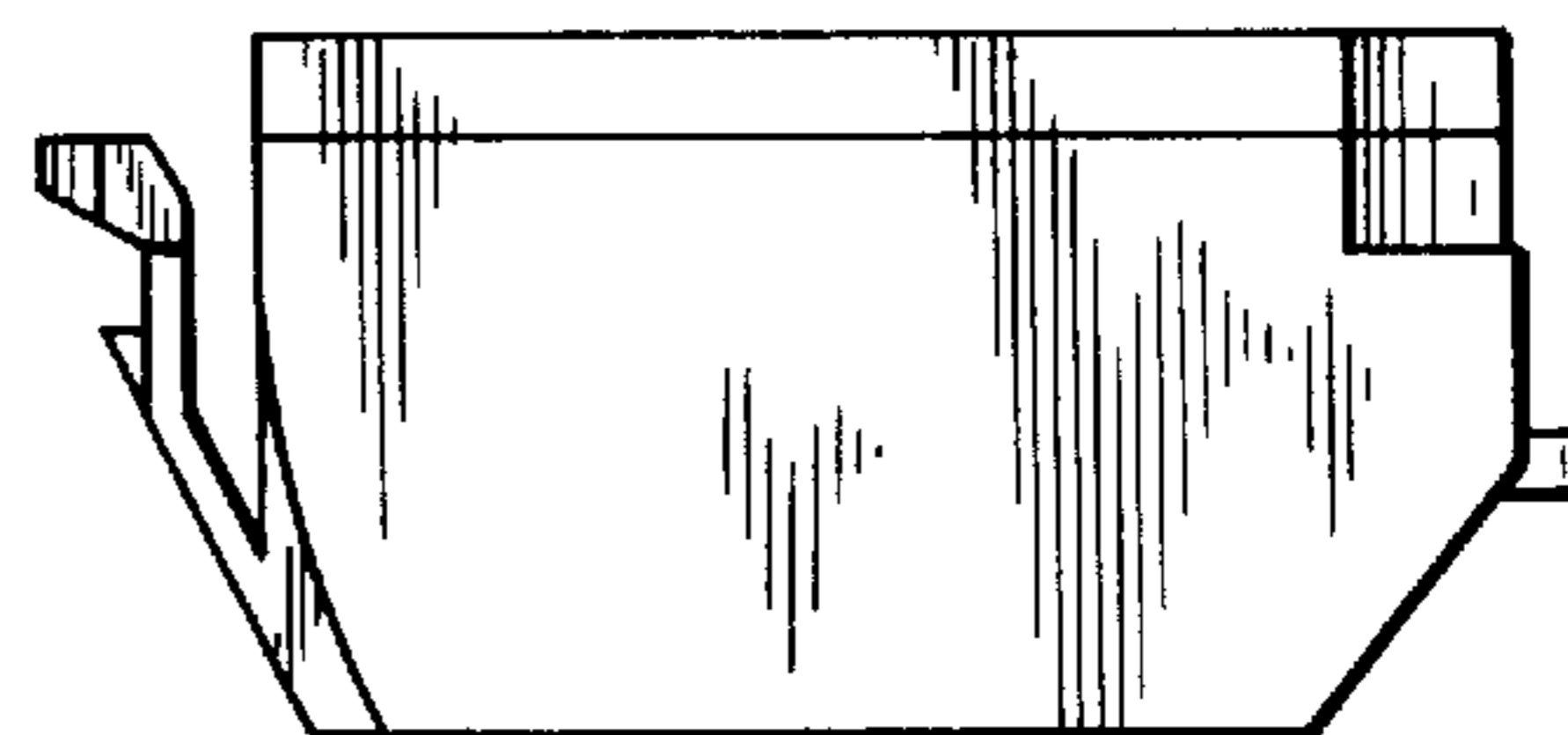


FIG. 7

