



US00D395441S

United States Patent [19]

Lee et al.

[11] **Patent Number:** **Des. 395,441**

[45] **Date of Patent:** ****Jun. 23, 1998**

[54] **CAMERA**

4,924,248 5/1990 Taniguchi et al. 396/60

[75] Inventors: **Ji Gang Lee; Joo Bok Kim**, both of Seoul, Rep. of Korea

Primary Examiner—Philip S. Hyder
Assistant Examiner—Adir Aronovich
Attorney, Agent, or Firm—Finnegan, Henderson, Farabow, Garrett & Dunner, L.L.P.

[73] Assignee: **Samsung Aerospace Industries, Ltd.**, Kyeongsangnam-do, Rep. of Korea

[**] Term: **14 Years**

[57] **CLAIM**

The ornamental design for a camera, as shown and described.

[21] Appl. No.: **64,441**

[22] Filed: **Dec. 31, 1996**

DESCRIPTION

[51] **LOC (6) Cl.** **16-01**

[52] **U.S. Cl.** **D16/217**

[58] **Field of Search** D16/200–205, D16/208, 209, 216–218; 396/535–543

FIG. 1 is a front elevational view of the design for a camera; FIG. 2 a rear elevational view of the design of FIG. 1; FIG. 3 is a top plan view of the design of FIG. 1; FIG. 4 is a bottom plan view of the design of FIG. 1; FIG. 5 is a left side elevational view of the design of FIG. 1; FIG. 6 is a right side elevational view of the design of FIG. 1; and, FIG. 7 is a top, front and left side perspective view of the design of FIG. 1.

[56] **References Cited**

U.S. PATENT DOCUMENTS

| | | | |
|------------|--------|----------------------|---------|
| D. 296,214 | 6/1988 | Suyama et al. | D16/204 |
| D. 342,961 | 1/1994 | Hamamura et al. | D16/209 |
| D. 359,747 | 6/1995 | Furuno et al. | D16/209 |
| D. 377,363 | 1/1997 | Isozaki et al. | D16/209 |

1 Claim, 4 Drawing Sheets

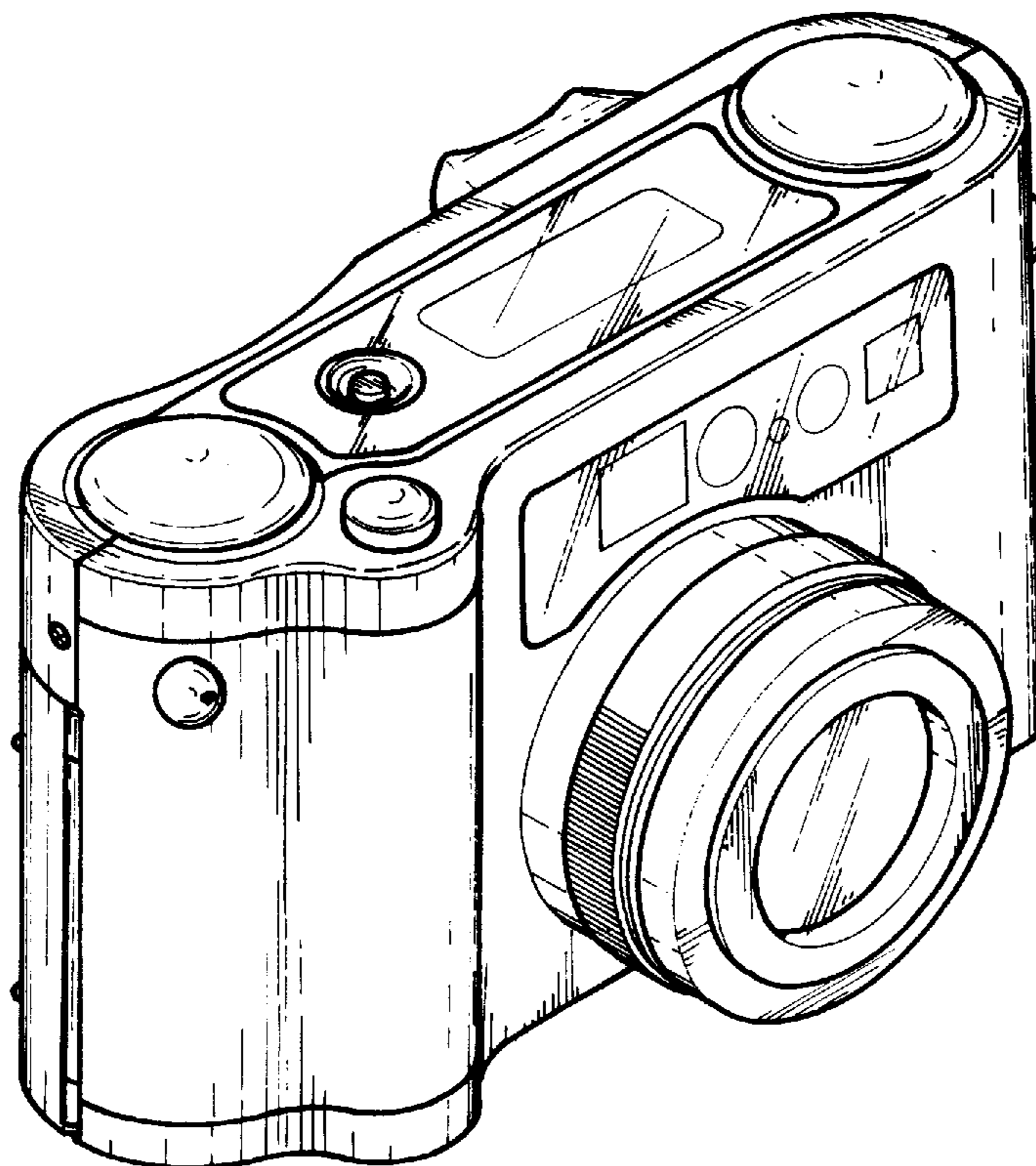


FIG. 1

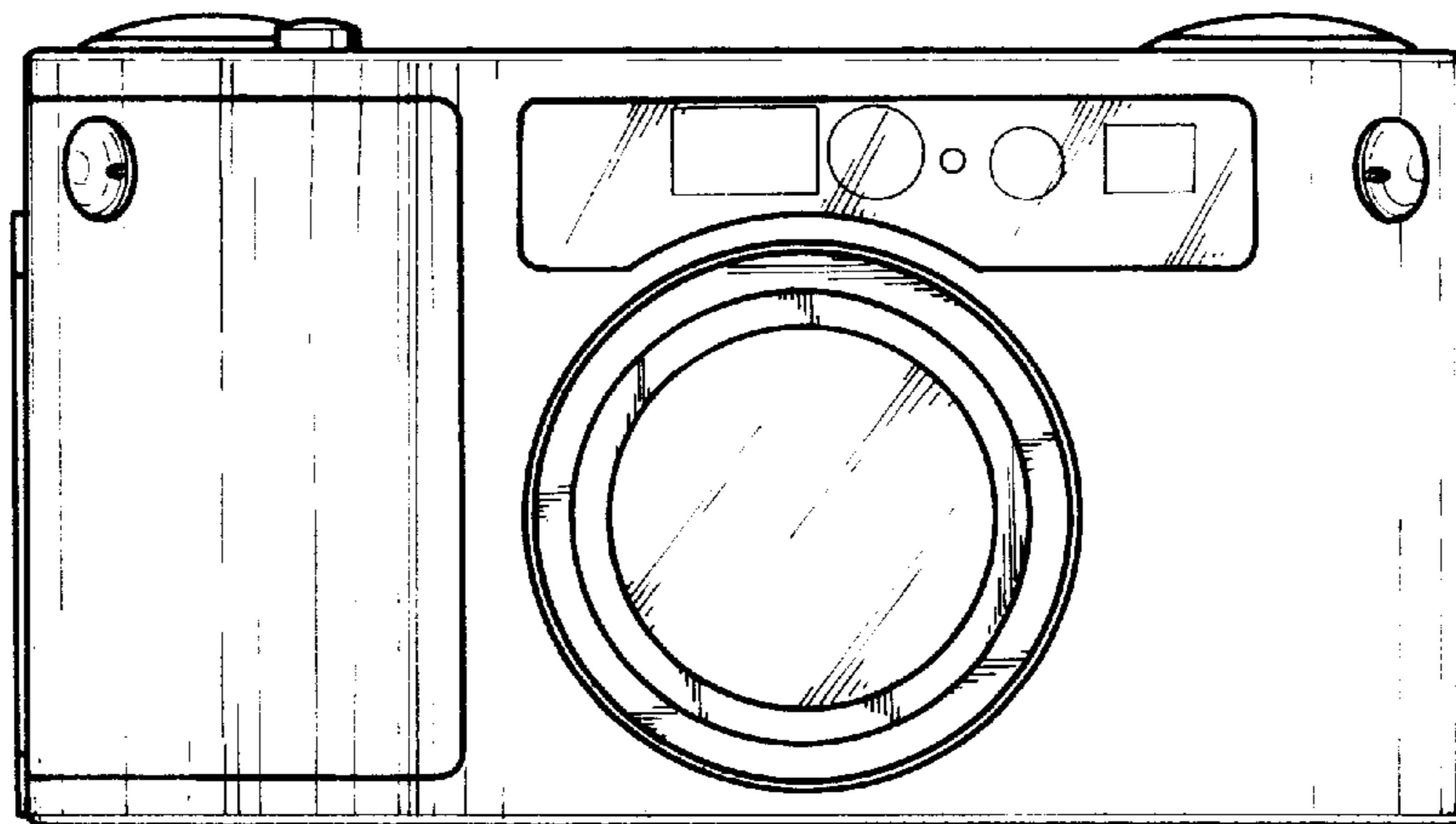


FIG. 2

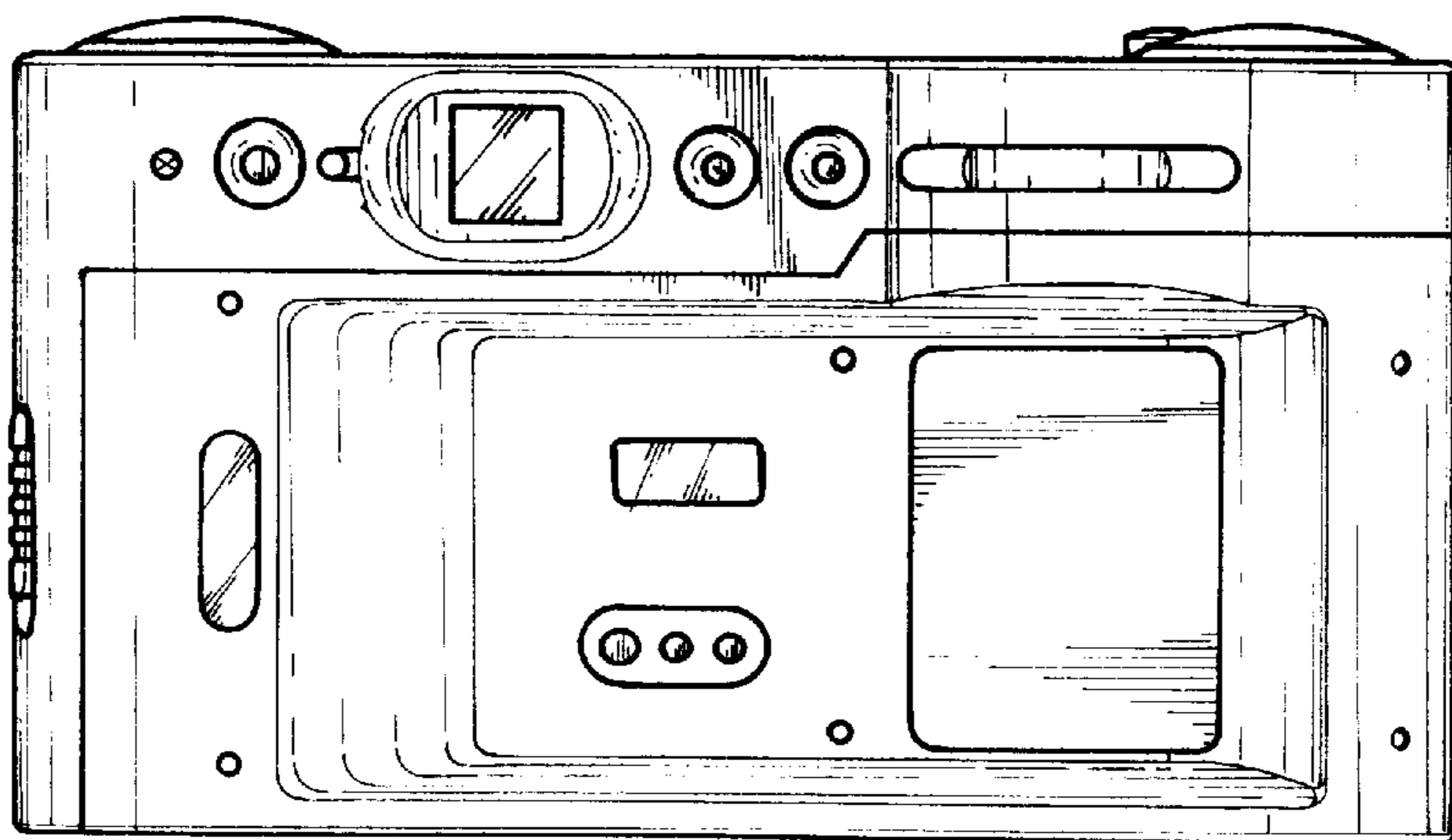


FIG. 3

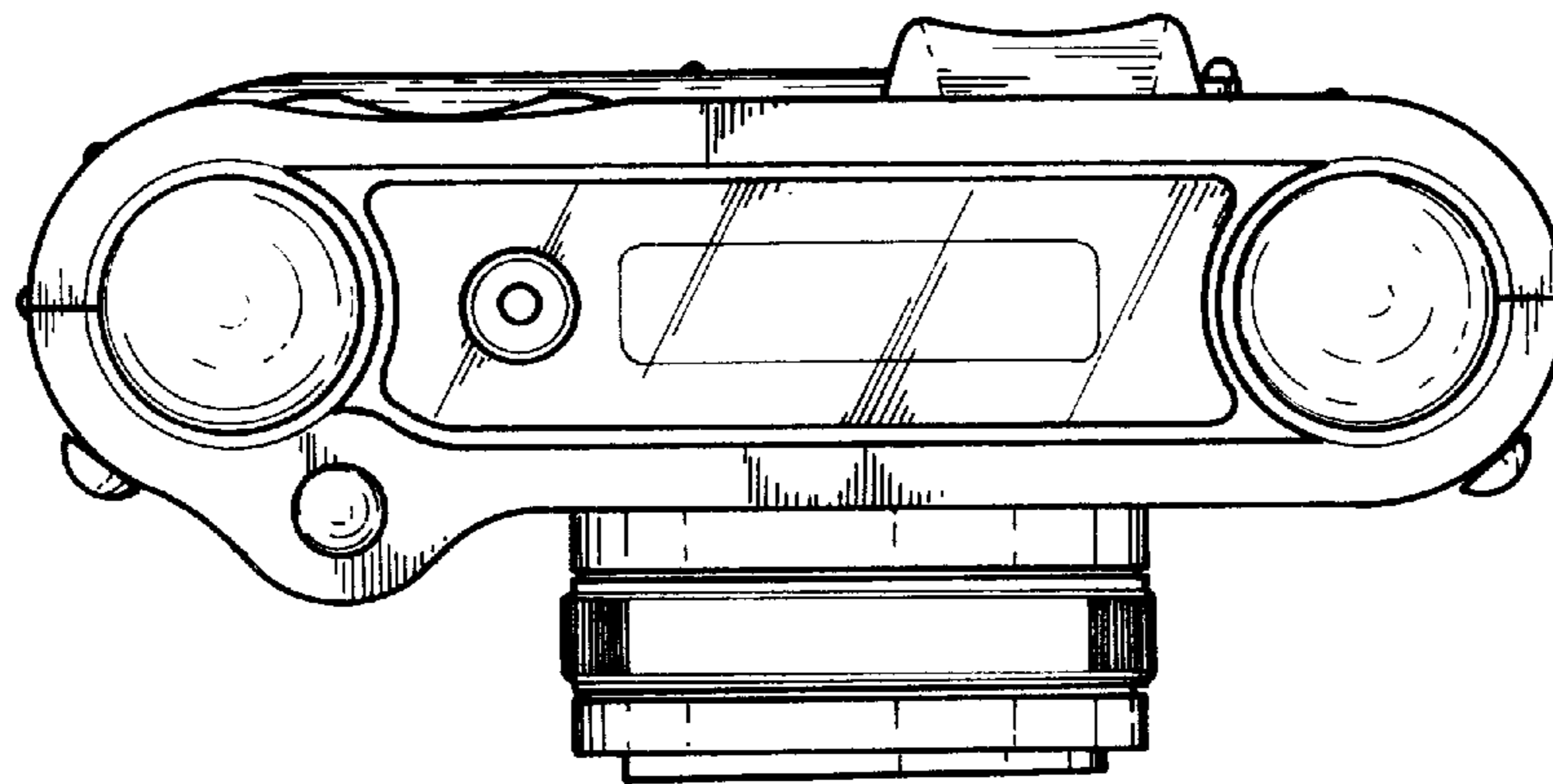


FIG. 4

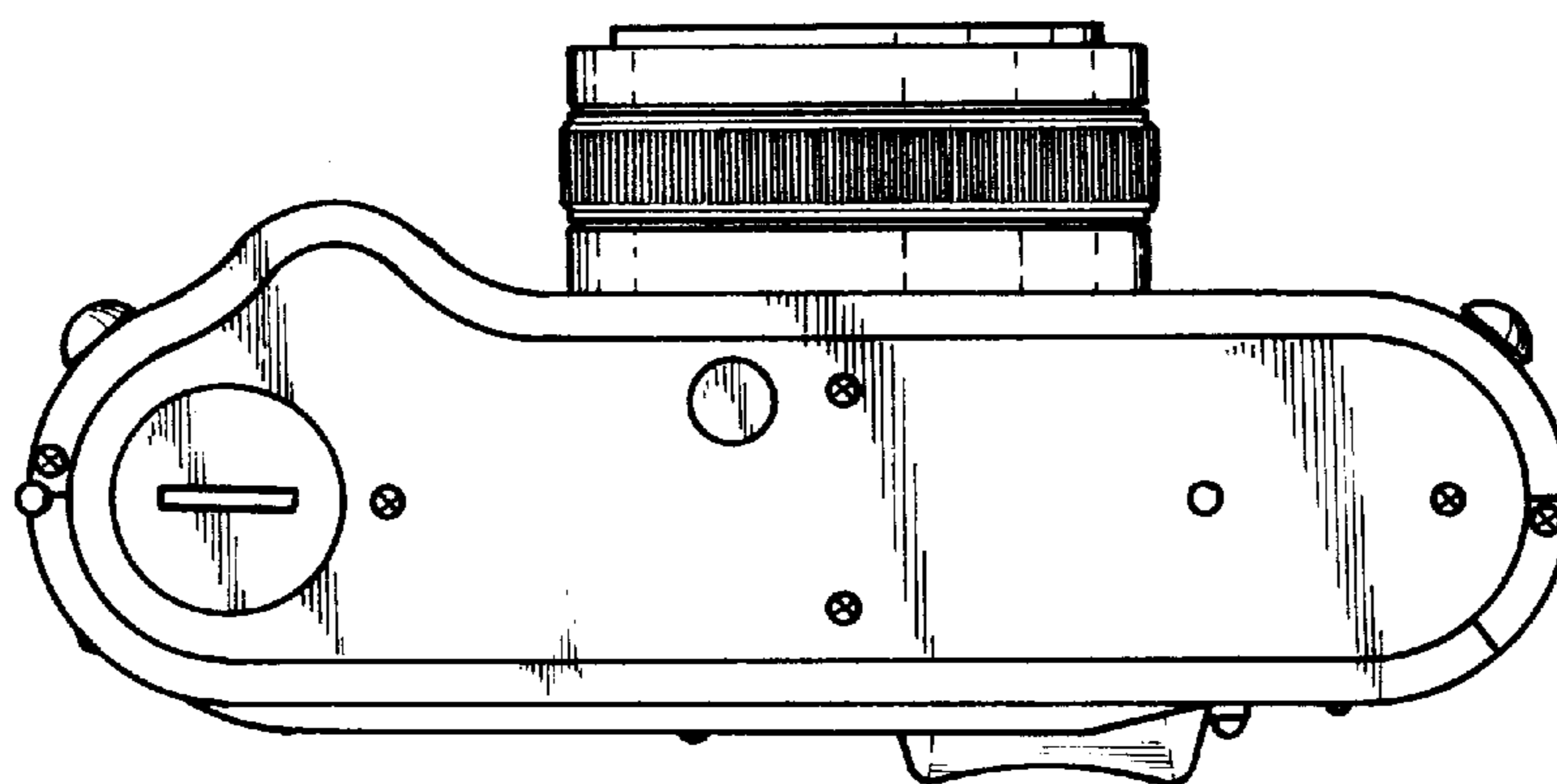


FIG. 5

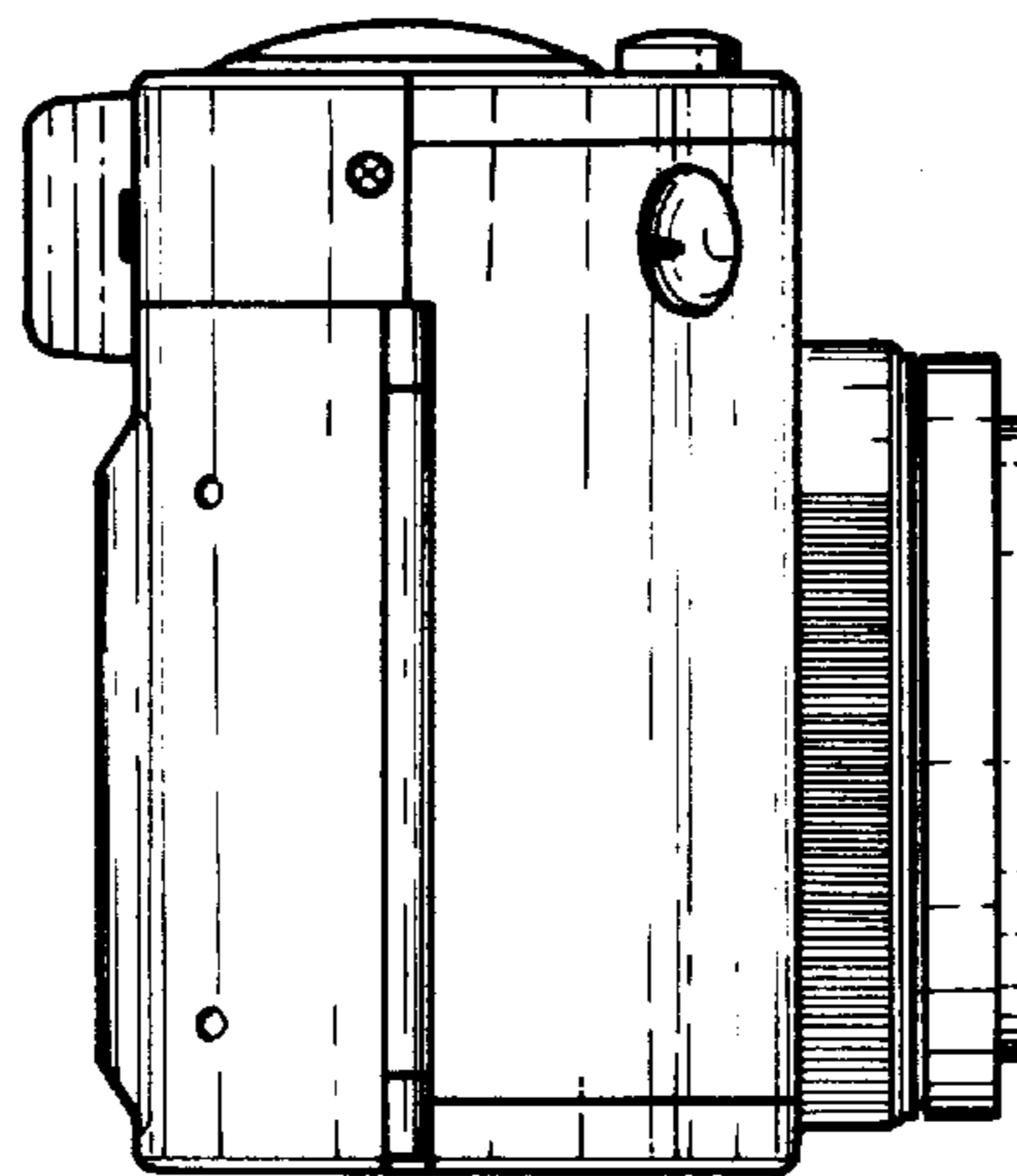


FIG. 6

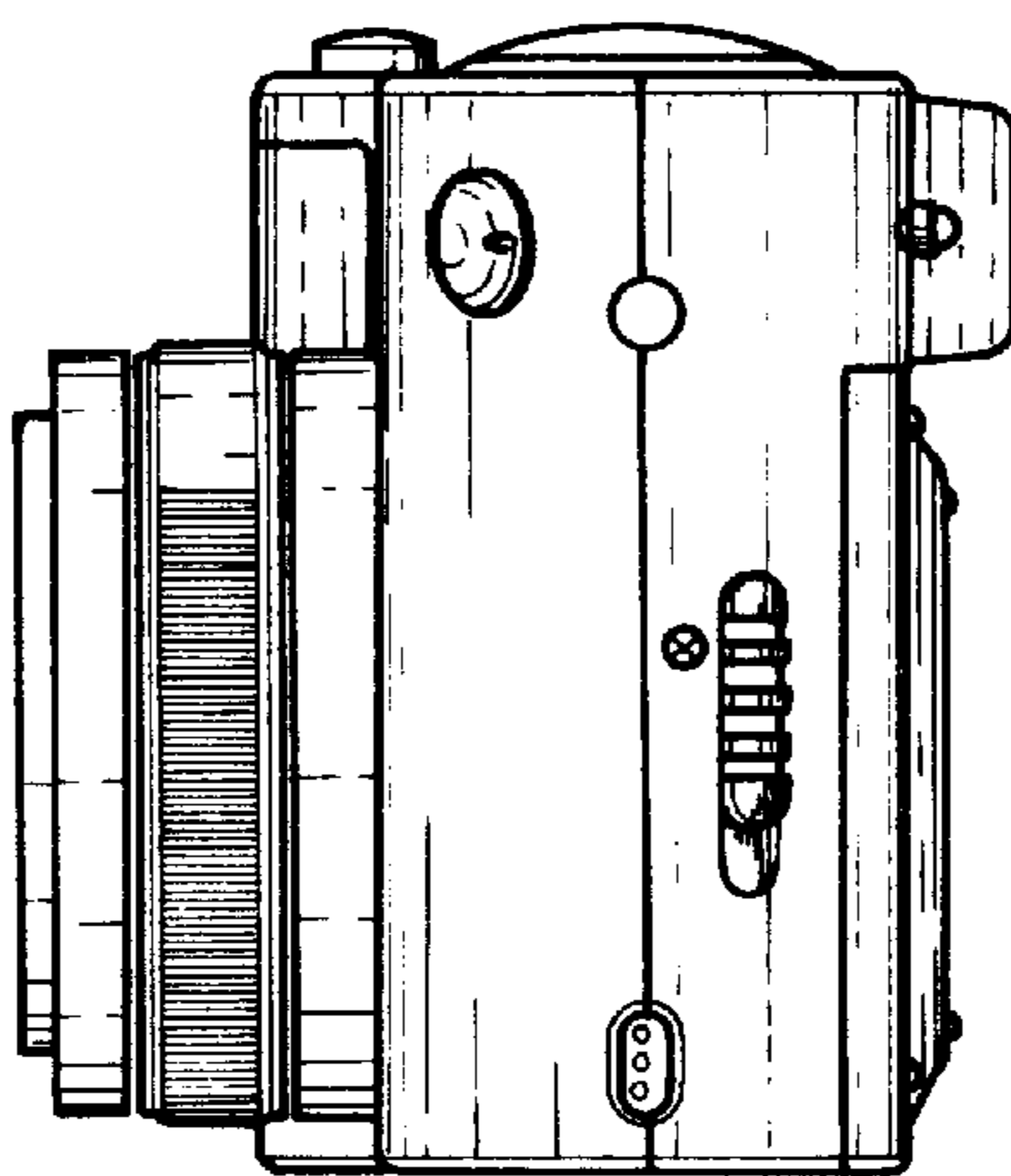


FIG. 7

