



US00D395439S

United States Patent [19]

King et al.

[11] Patent Number: **Des. 395,439**

[45] Date of Patent: ****Jun. 23, 1998**

[54] **WASTE OIL RECEPTACLE**

[75] Inventors: **Mark A. King**, Blaine; **Todd Husom**, Golden Valley; **Joseph E. LaBossierre**, Lino Lakes, all of Minn.

[73] Assignee: **Graco Inc.**, Minneapolis, Minn.

[**] Term: **14 Years**

[21] Appl. No.: **60,772**

[22] Filed: **Oct. 7, 1996**

[51] **LOC (6) Cl.** **15-99**

[52] **U.S. Cl.** **D15/150**

[58] **Field of Search** D15/150-152;
D34/17, 18, 28; 141/86, 88, 98, 231, 375,
391; 184/106; 206/511; 280/47.23, 47.26,
47.35, 659

[56] **References Cited**

U.S. PATENT DOCUMENTS

D. 341,366 11/1993 Tricarico et al. D15/150

D. 377,658 1/1997 Adamson et al. D15/150
4,638,841 1/1987 Heath 141/98
5,033,520 7/1991 Kuehmicel 141/231
5,603,362 2/1997 Telder 141/98

Primary Examiner—Antoine Duval Davis
Attorney, Agent, or Firm—Douglas B. Farrow

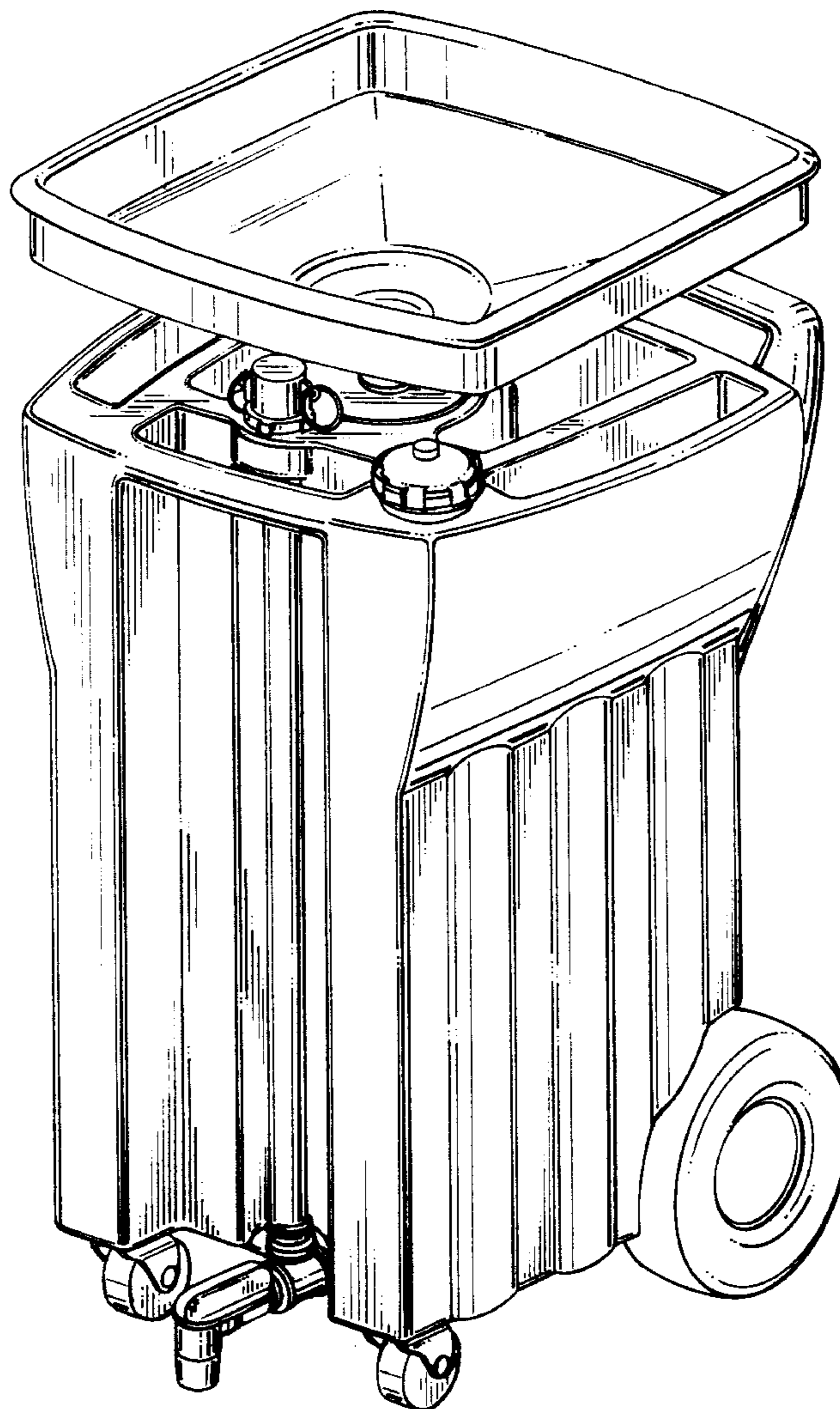
[57] **CLAIM**

The ornamental design for a waste oil receptacle, as shown and described.

DESCRIPTION

FIG. 1 is a front elevation view of the waste oil receptacle; FIG. 2 is a rear elevation view thereof; FIG. 3 is a left side elevation view thereof and is a mirror image of the right side; FIG. 4 is a top plan view thereof; FIG. 5 is a bottom plan view thereof; FIG. 6 is a front perspective view thereof; and, FIG. 7 is a top plan view from beneath the tray thereof.

1 Claim, 4 Drawing Sheets



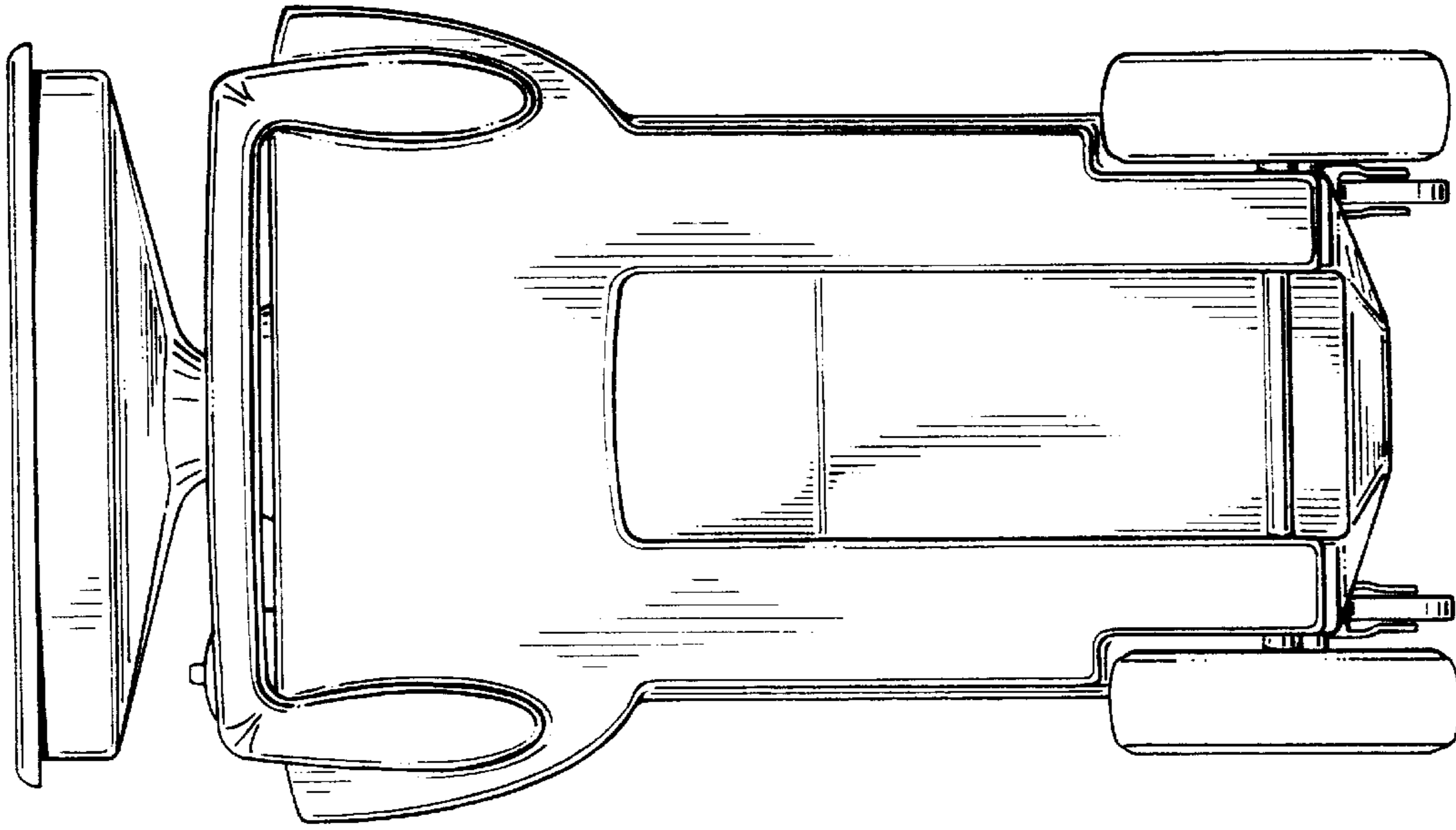


Fig. 2

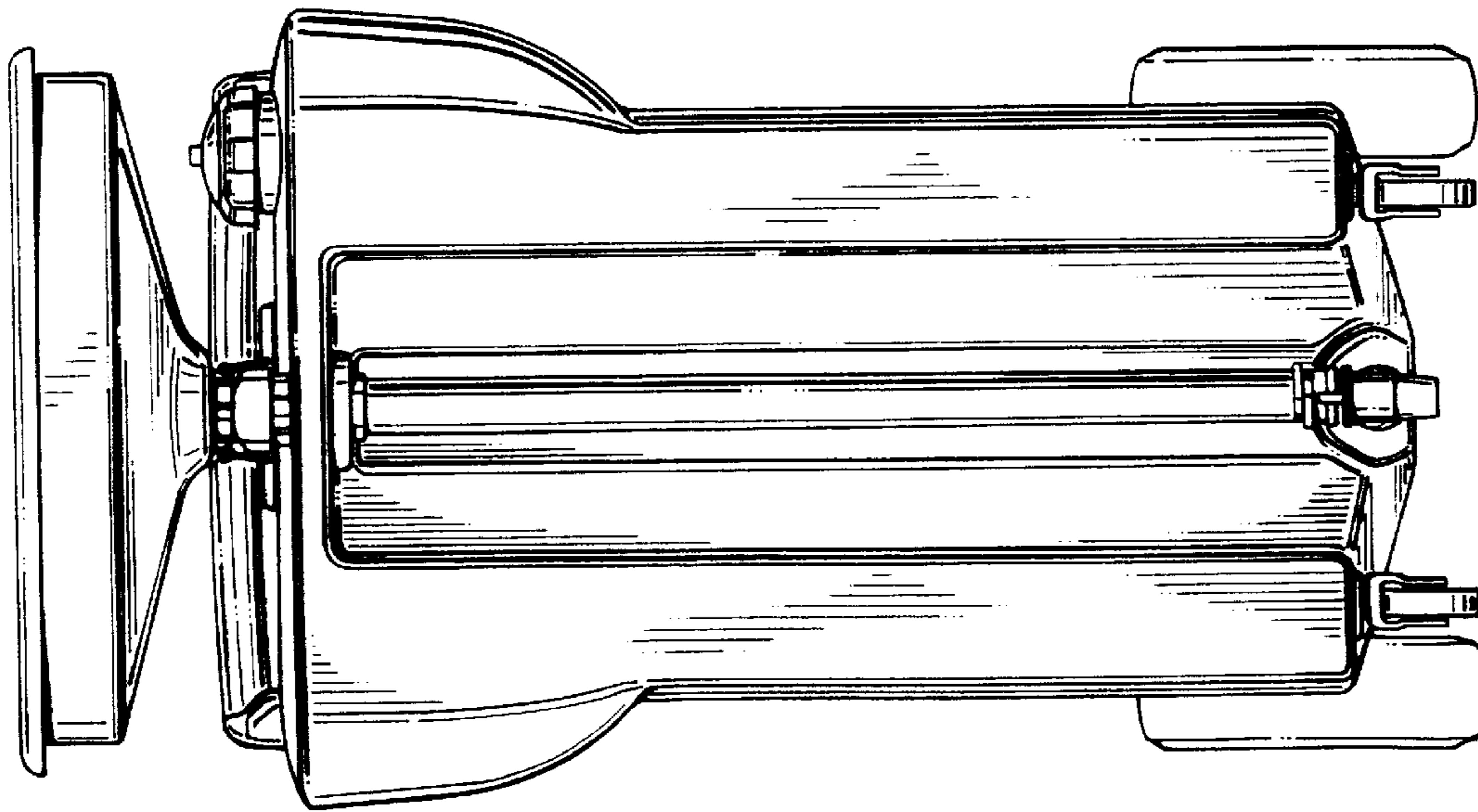


Fig. 1

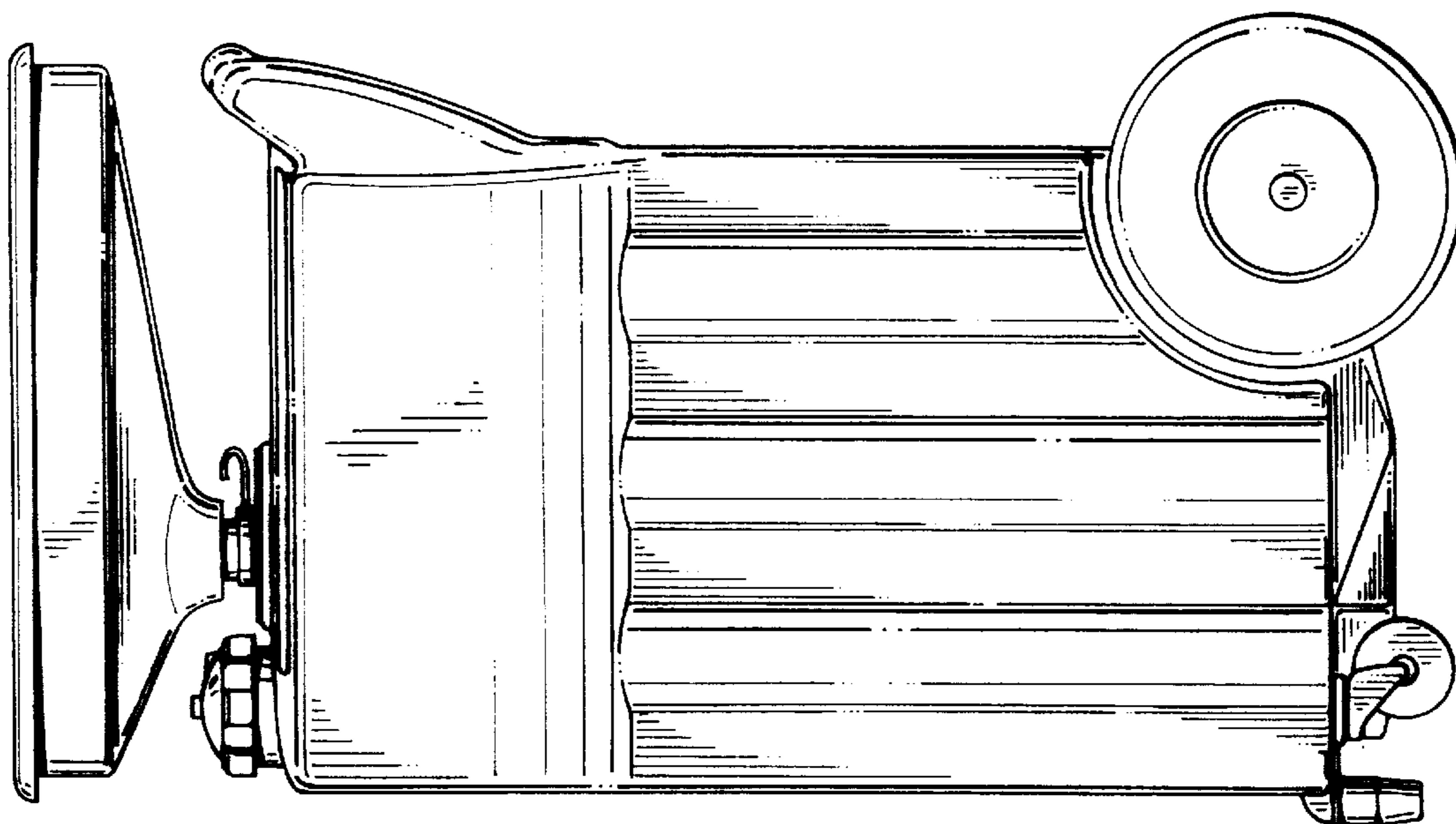


Fig. 3

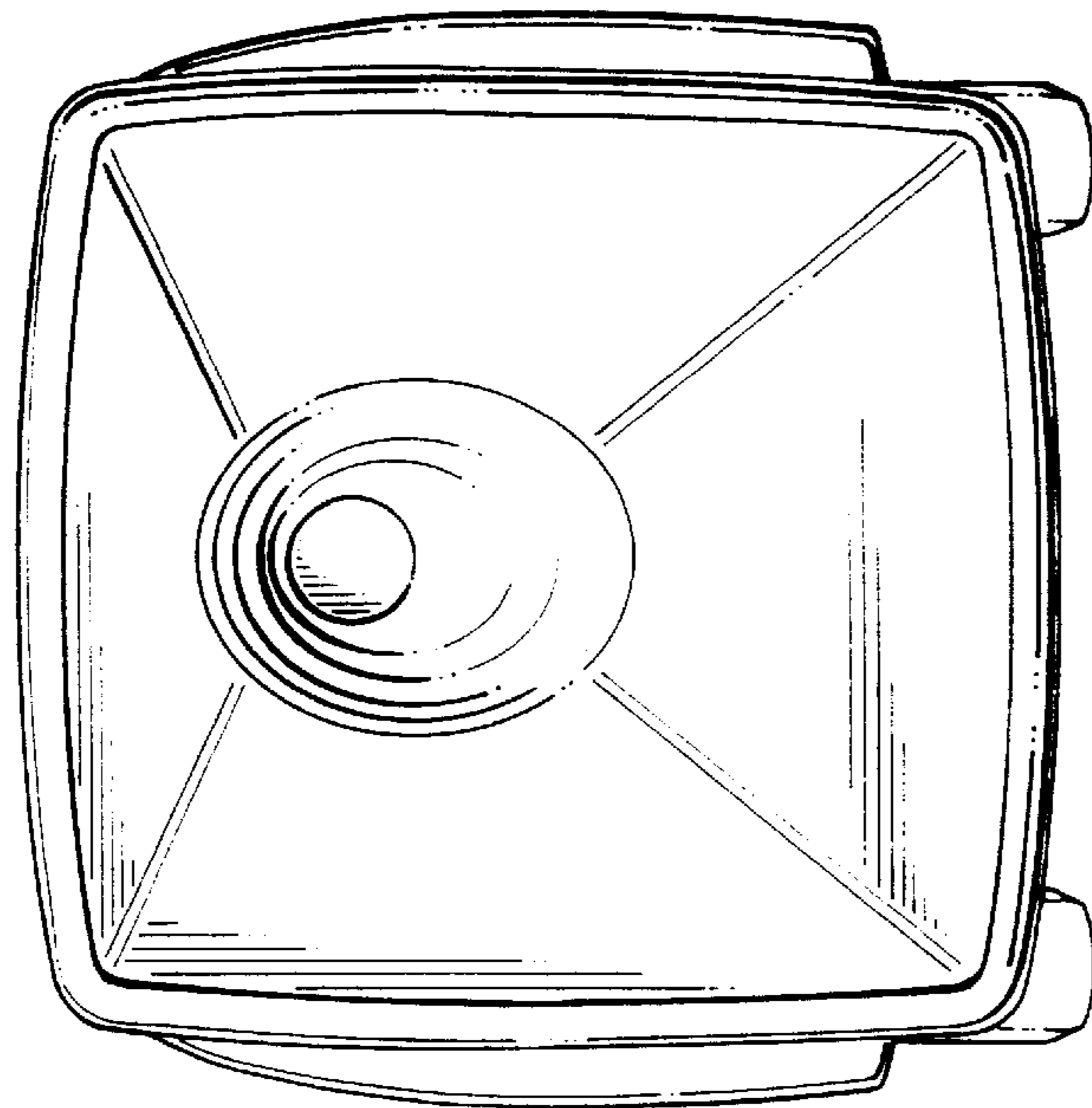


Fig. 4

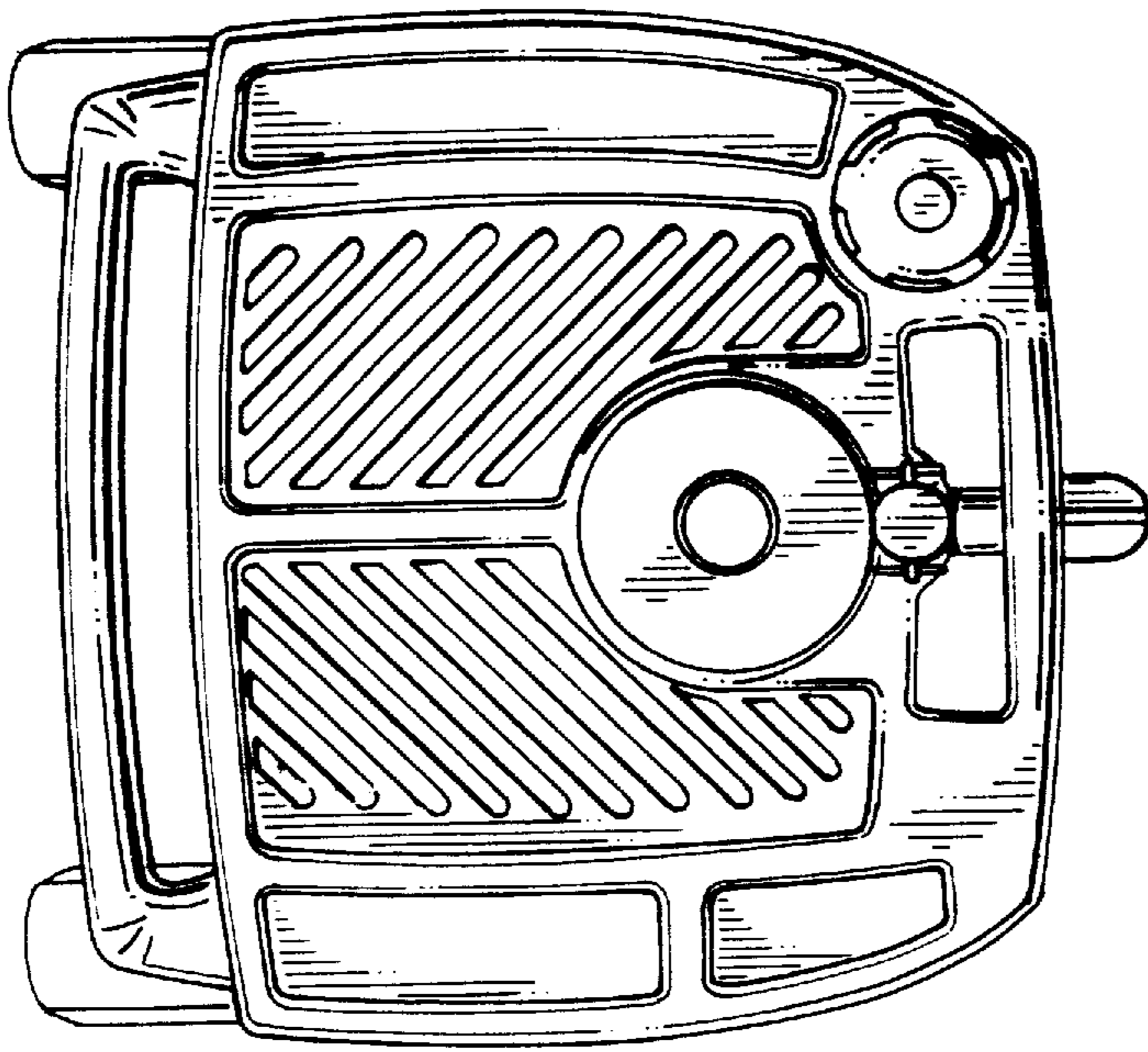


Fig. 7

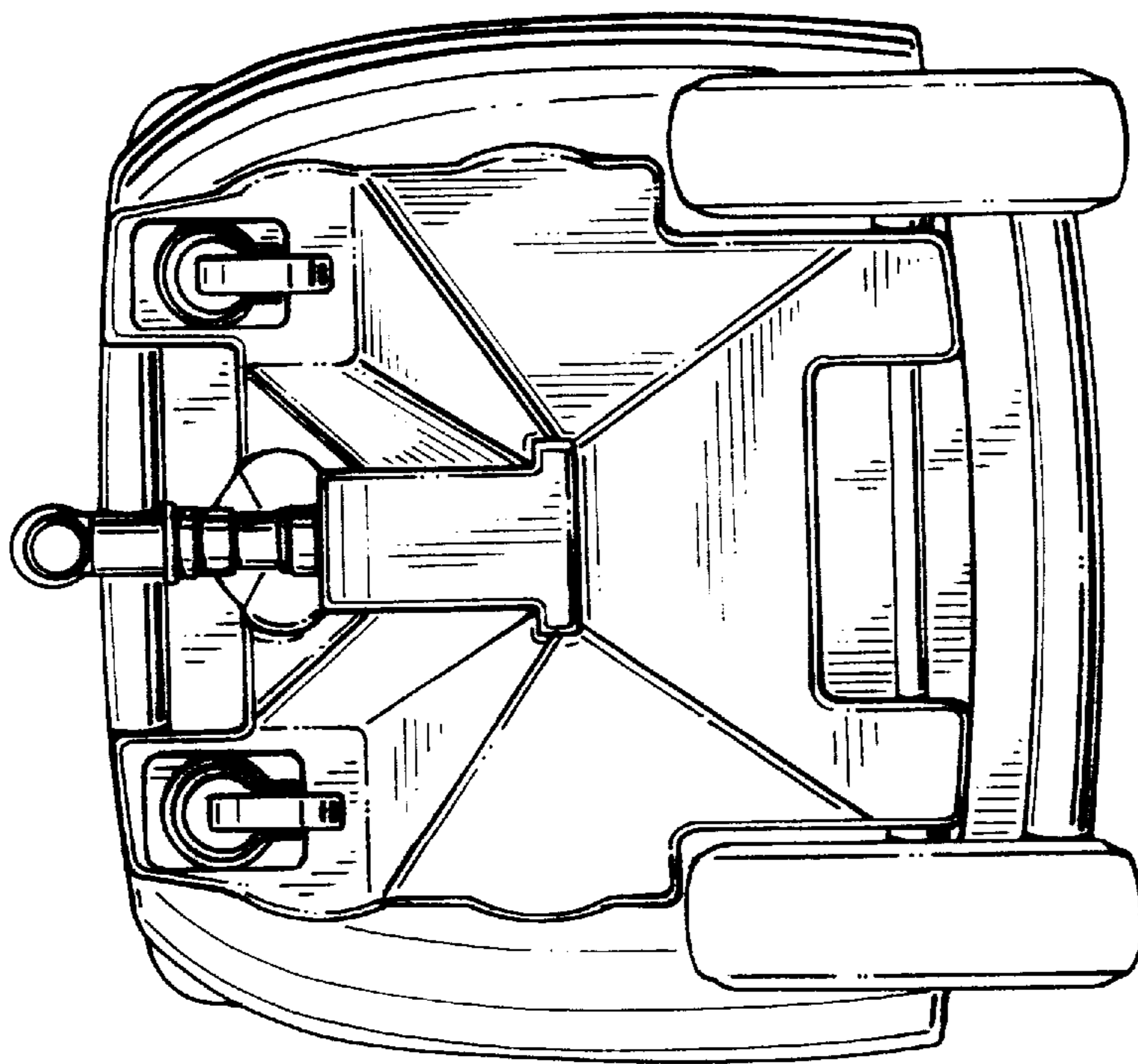


Fig. 5

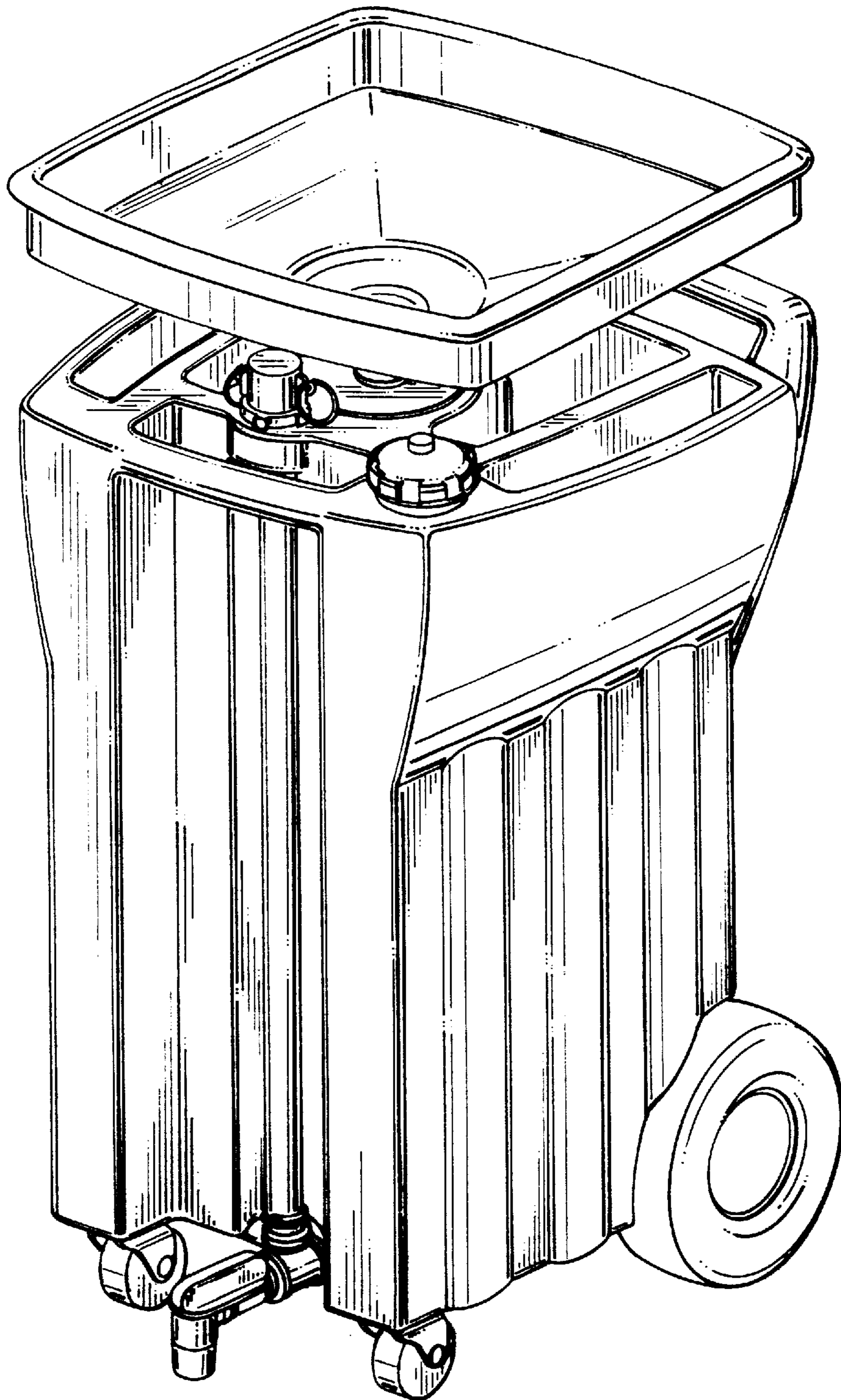


Fig.6