



US00D395438S

**United States Patent** [19]  
**Armstrong**

[11] **Patent Number: Des. 395,438**

[45] **Date of Patent: \*\*Jun. 23, 1998**

[54] **BAND SAW**

[75] Inventor: **Mark C. Armstrong**, Sidney, Australia

[73] Assignee: **Sales & Marketing Services of Wi,**  
Oconomowoc, Wis.

[\*\*] Term: **14 Years**

[21] Appl. No.: **68,489**

[22] Filed: **Mar. 21, 1997**

[51] **LOC (6) Cl.** ..... **15-09**

[52] **U.S. Cl.** ..... **D15/134**

[58] **Field of Search** ..... D15/134; 83/814-819,  
83/72, 76.7

[56] **References Cited**

**U.S. PATENT DOCUMENTS**

D. 336,653 6/1993 Baird et al. .... D15/134

*Primary Examiner*—Antoine Duval Davis  
*Attorney, Agent, or Firm*—Donald J. Ersler

[57] **CLAIM**

The ornamental design for a band saw, as shown and described.

**DESCRIPTION**

FIG. 1 is a perspective view of a band saw incorporating my new design;

FIG. 2 is a left side elevation view thereof;

FIG. 3 is a right side elevation view thereof;

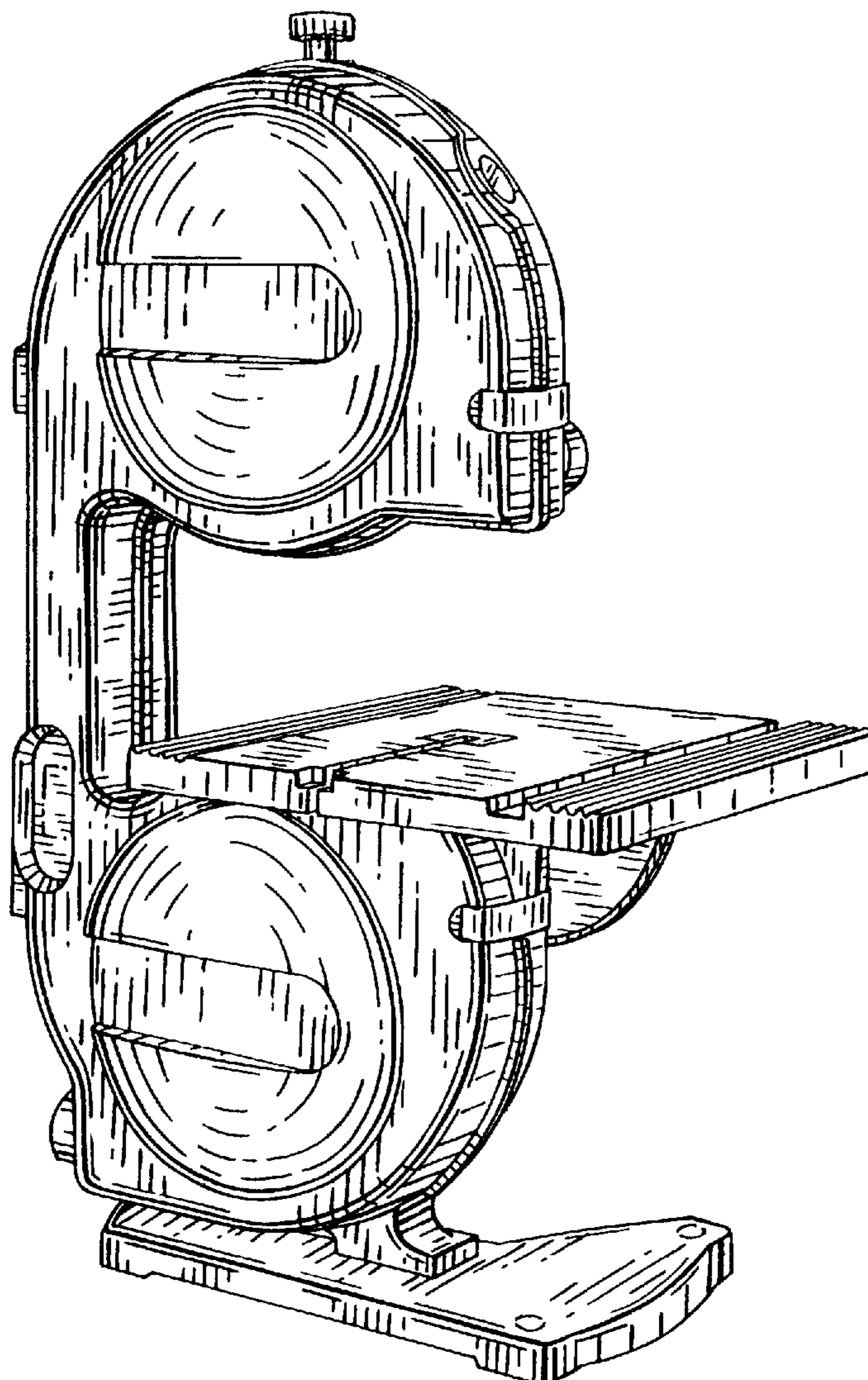
FIG. 4 is a front elevation view thereof;

FIG. 5 is a rear view thereof; and,

FIG. 6 is a top plan view thereof.

The broken line showing is for illustrative purposes only and forms no part of the claimed design.

**1 Claim, 4 Drawing Sheets**



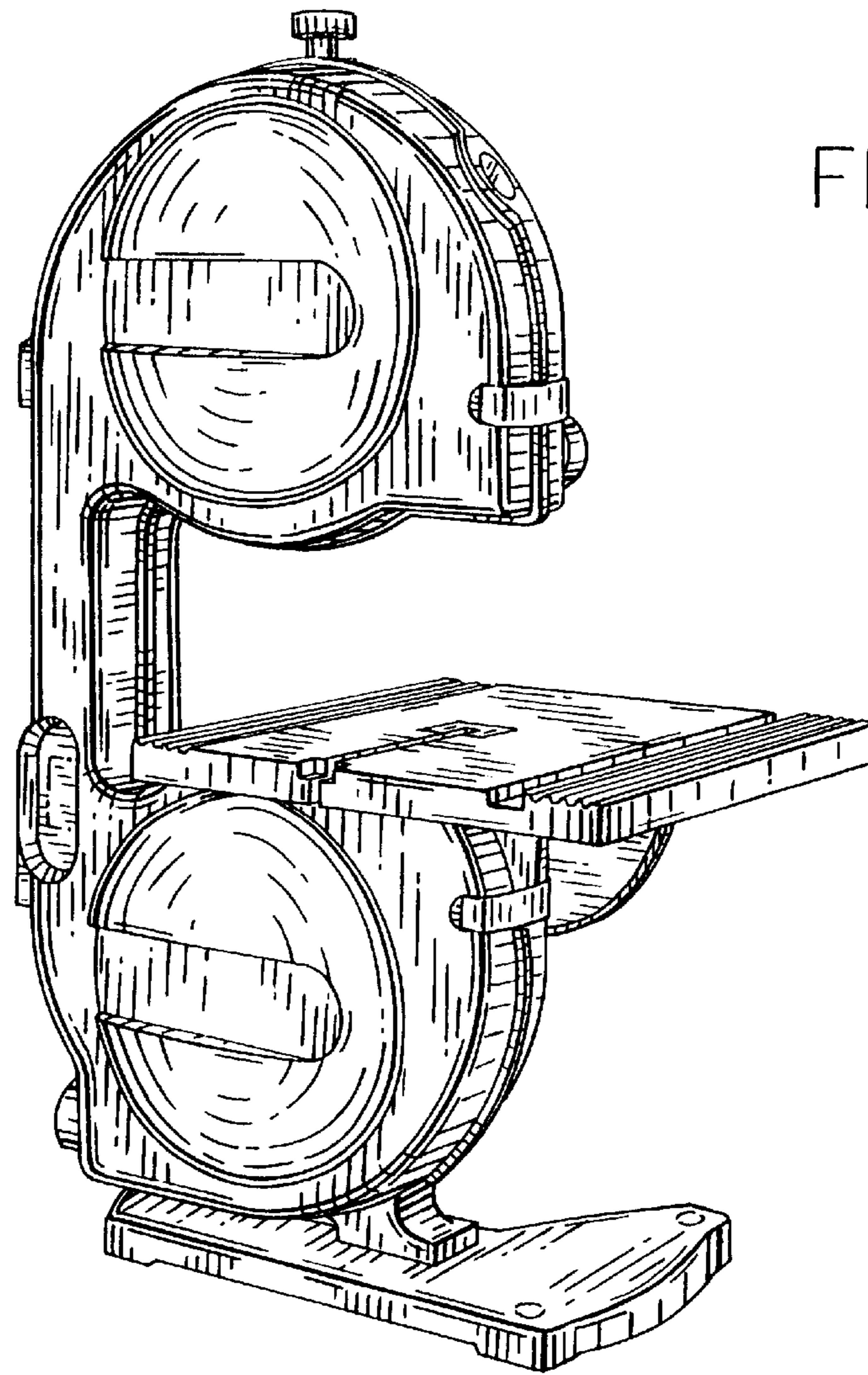


FIG. 1

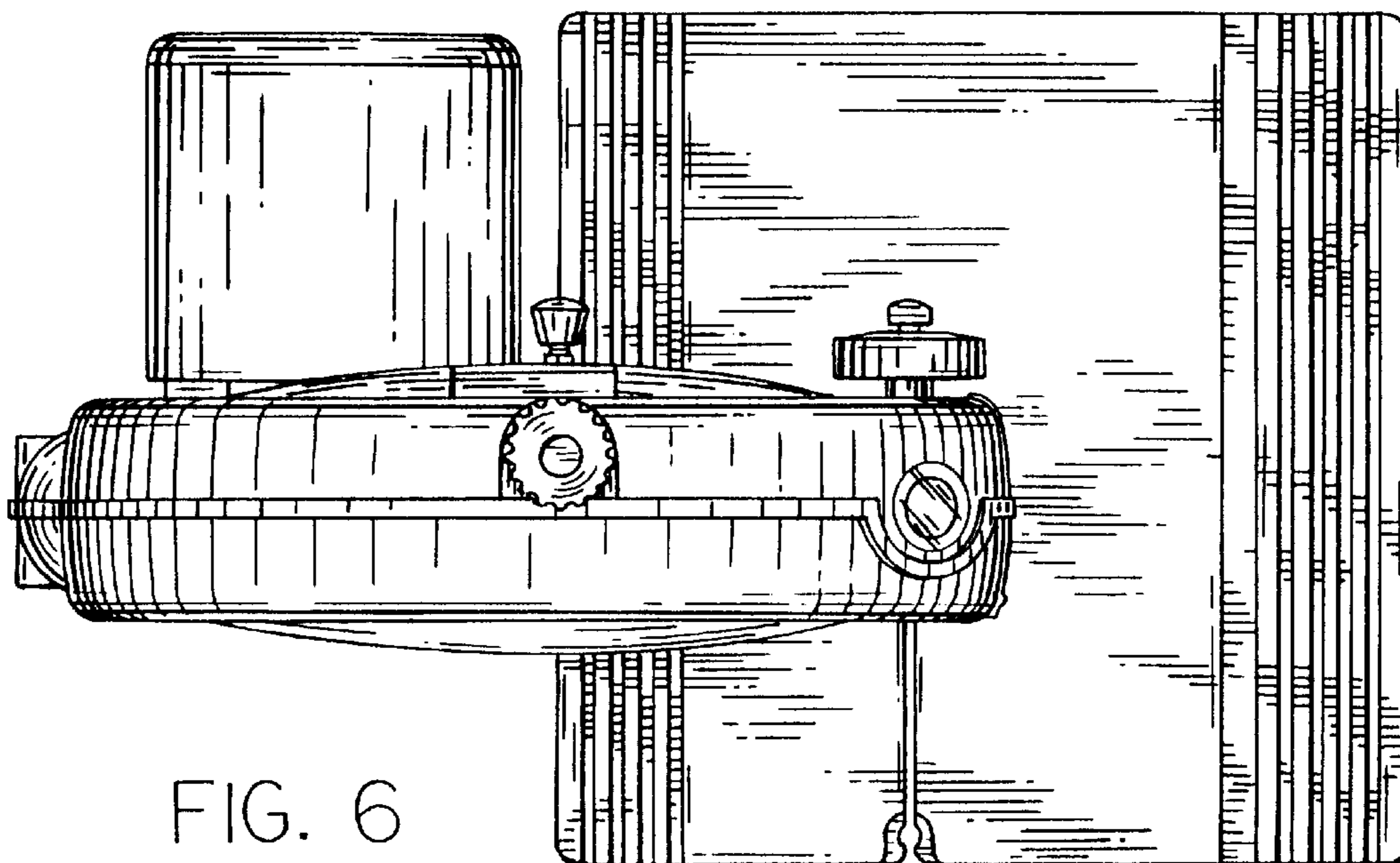


FIG. 6

FIG. 2

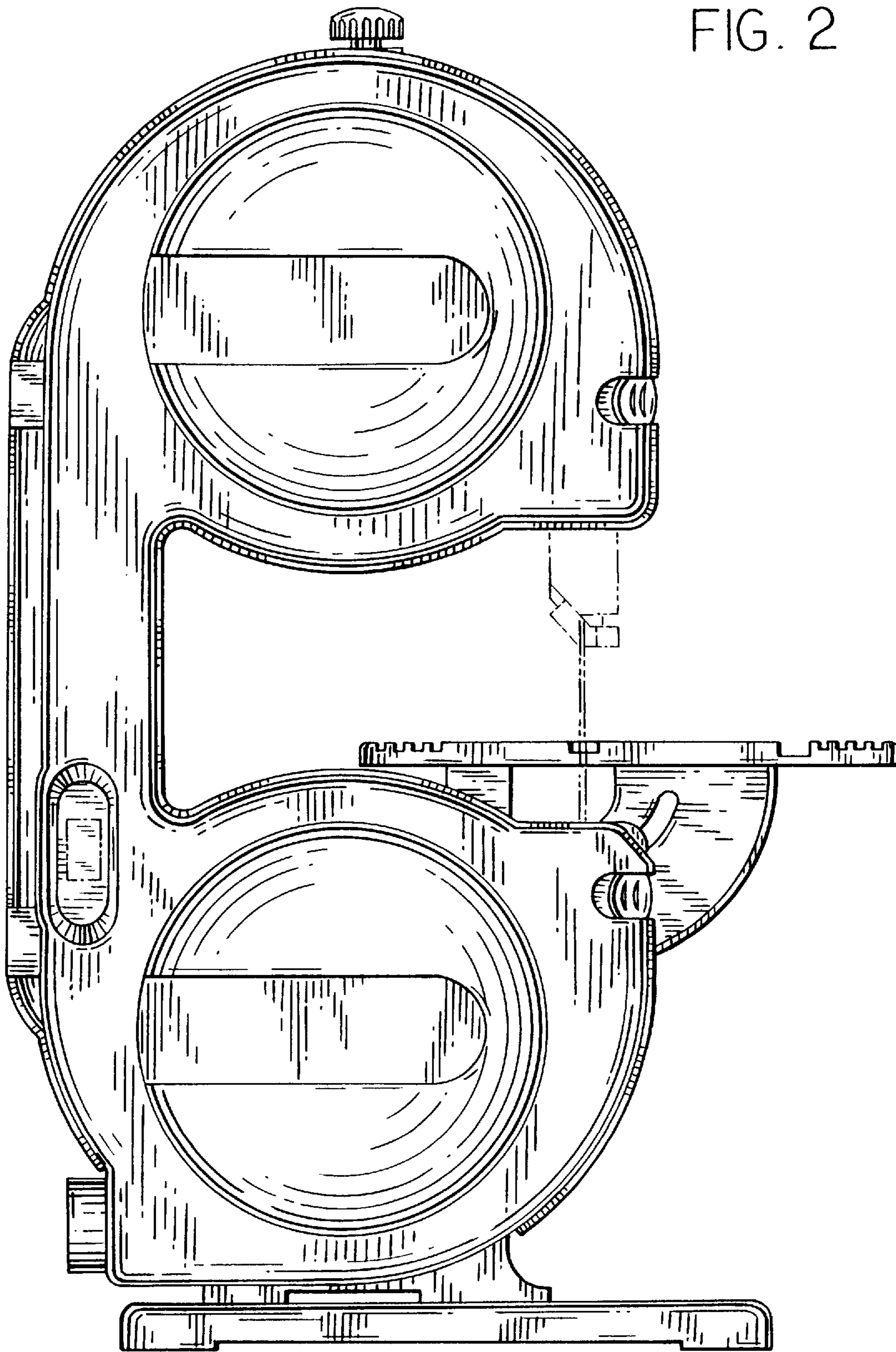


FIG. 3

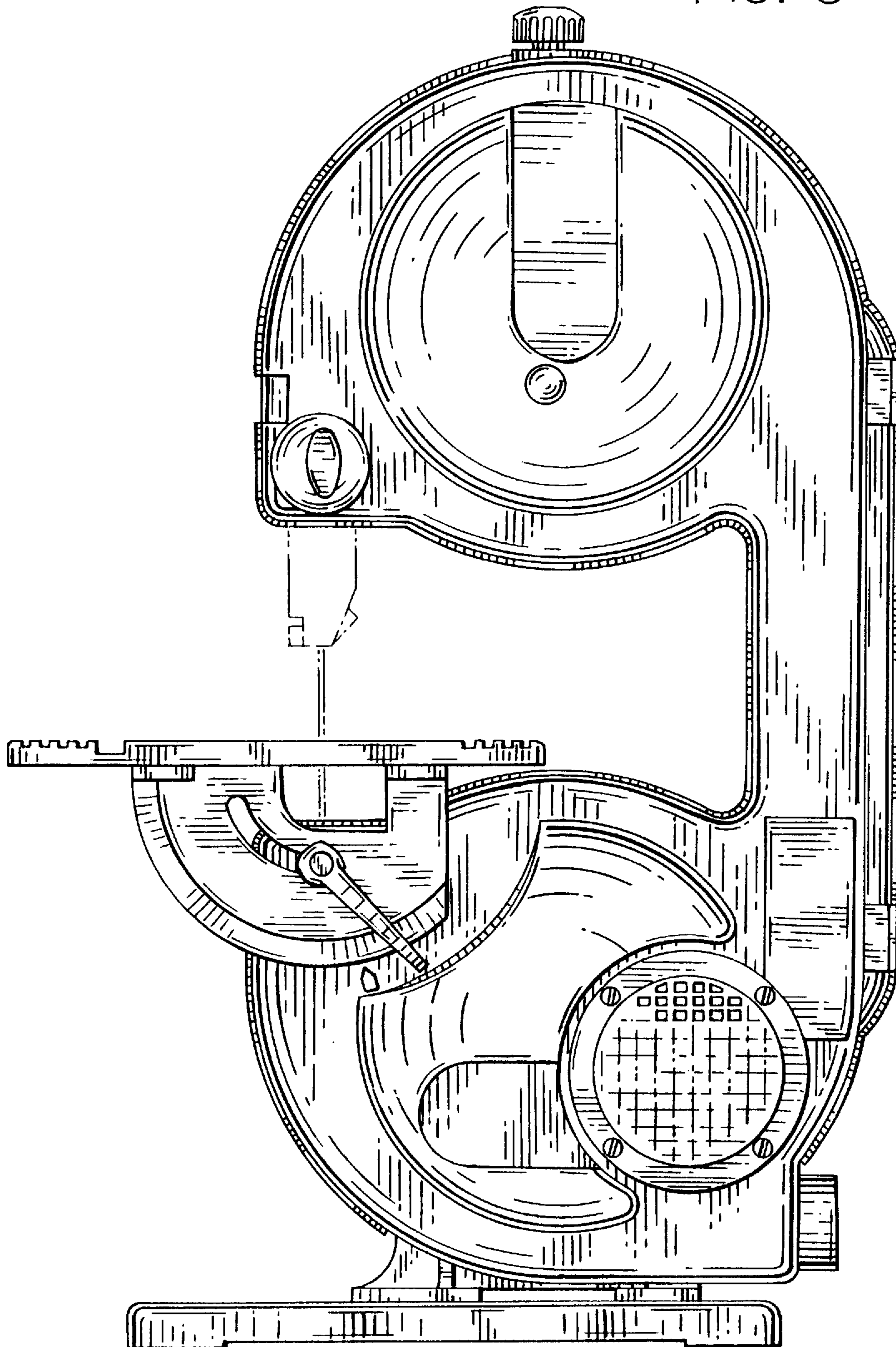


FIG. 4

