



US00D395437S

United States Patent [19]
Welsh

[11] **Patent Number: Des. 395,437**

[45] **Date of Patent: **Jun. 23, 1998**

[54] **UPPER RIB FOR A PLANER**

D. 326,667 6/1992 Juang D15/127

[75] Inventor: **Robert P. Welsh**, Hunt Valley, Md.

Primary Examiner—Antoine Duval Davis
Attorney, Agent, or Firm—Adan Ayala

[73] Assignee: **Black & Decker Inc.**, Newark, Del.

[**] Term: **14 Years**

[57] **CLAIM**

[21] Appl. No.: **64,928**

The ornamental design for an upper rib for a planer, as shown and described.

[22] Filed: **Jan. 15, 1997**

DESCRIPTION

[51] **LOC (6) Cl.** **15-09**

[52] **U.S. Cl.** **D15/127**

[58] **Field of Search** D15/126-127;
144/117.1, 114.1, 117 R, 144 R, 124-127 A,
154.5, 129, 130, 218, 225, 228, 230, 242.5,
245.1, 246.1, 250.2, 253.2, 252.1, 375;
408/115 R, 241 S; 409/125, 181; 606/79,
88, 172

FIG. 1 is a left side perspective view from the front of upper rib for a planer showing my new design;

FIG. 2 is a top plan view of my design; and,

FIG. 3 is a front elevational view of my design.

In the attached drawings, any broken line illustration is not part of the design sought to be patented.

[56] **References Cited**

U.S. PATENT DOCUMENTS

D. 323,834 2/1992 Fusiya et al. D15/133

1 Claim, 3 Drawing Sheets

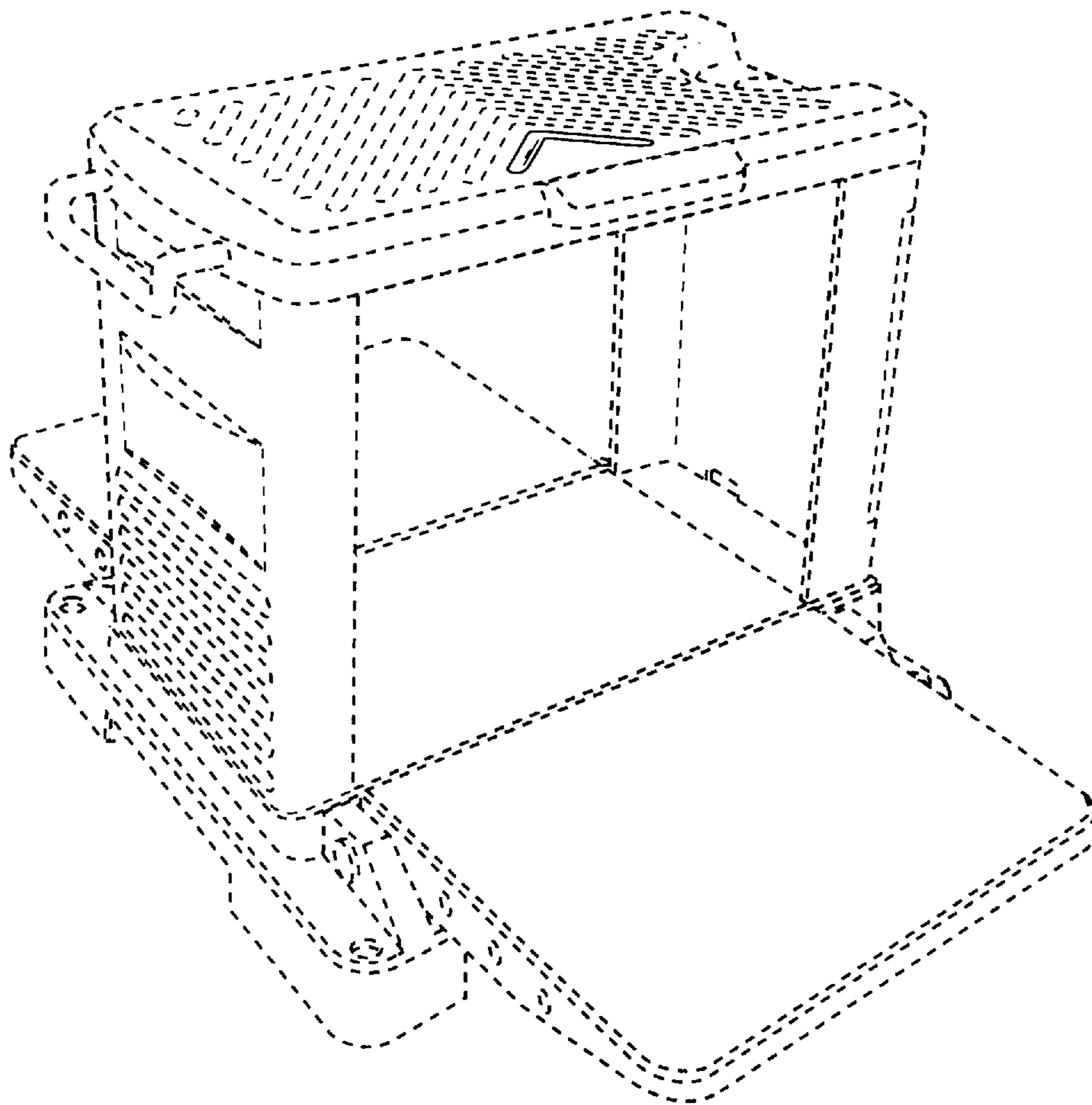


FIG. 1

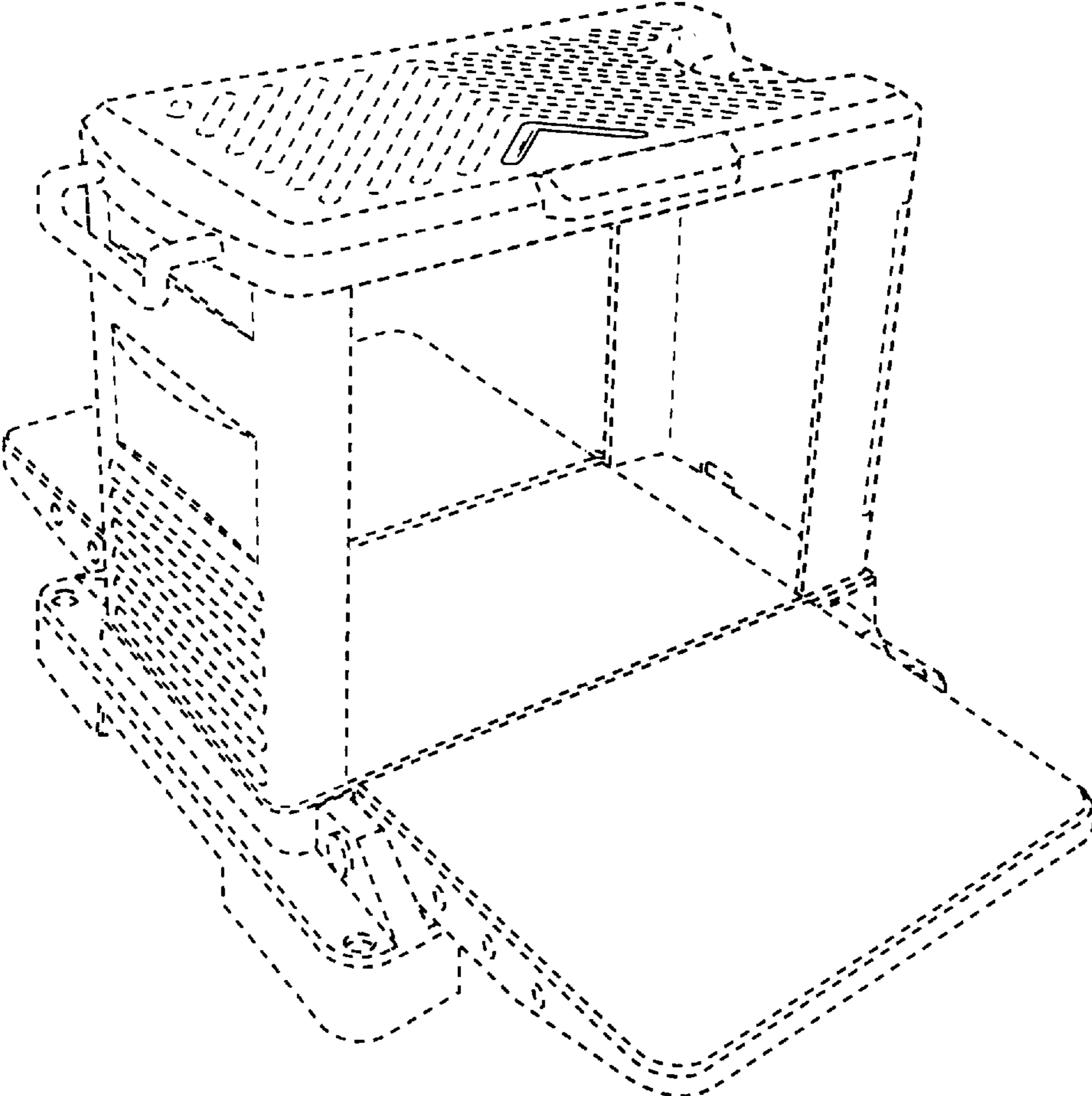


FIG. 2

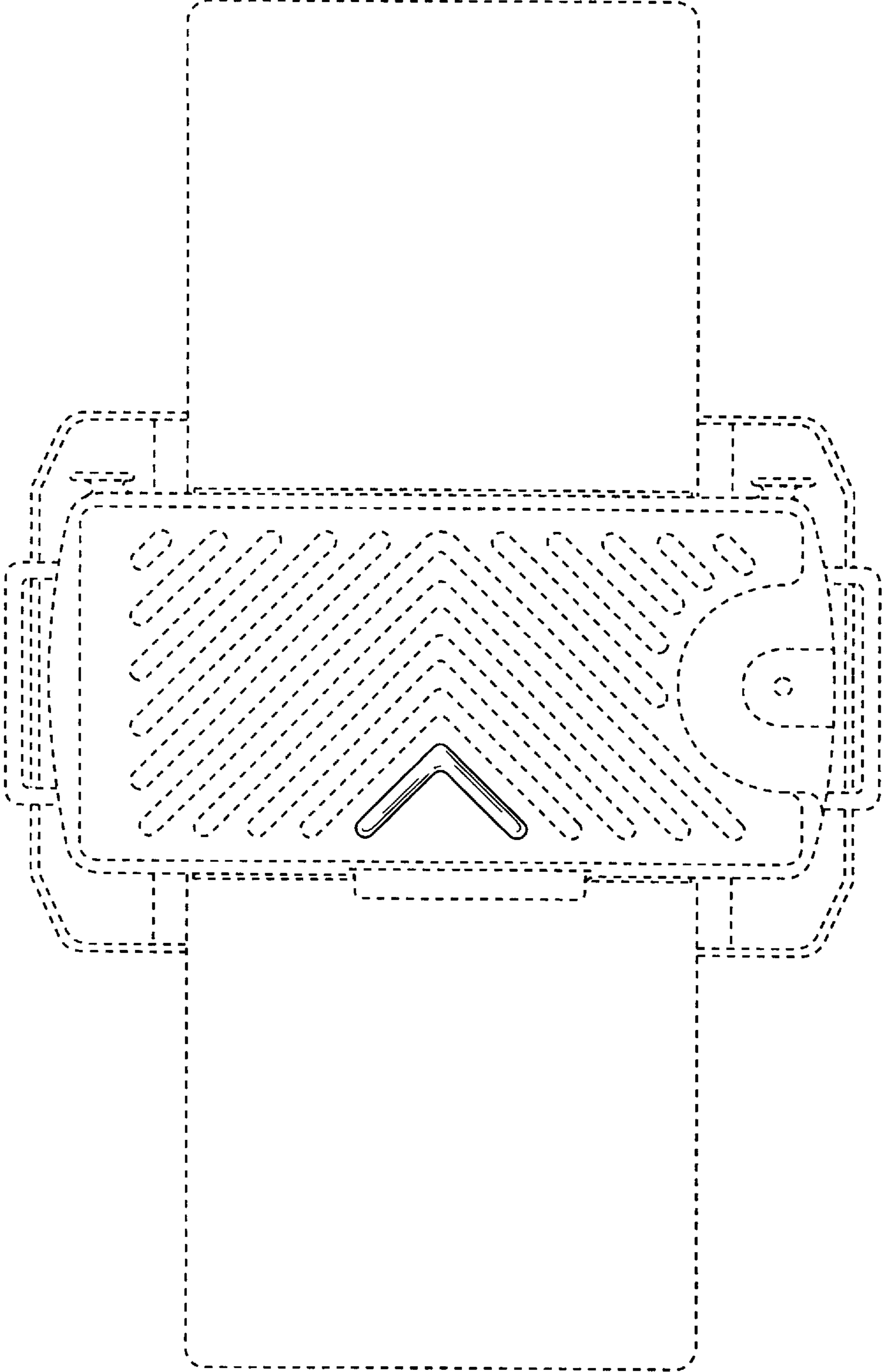


FIG. 3

