



US00D395432S

United States Patent [19]

Woolley et al.

[11] Patent Number: **Des. 395,432**

[45] Date of Patent: ****Jun. 23, 1998**

[54] **SOUND SYSTEM COMPRISING SPEAKERS AND MIXER-AMPLIFIER**

4,964,682 10/1990 Meyer 181/199 X

[75] Inventors: **Steve Woolley**, Burbank, Calif.; **Peter Harries**, Cambridge, England; **Roger F. Cox**, Chino Hills, Calif.

[73] Assignee: **Fender Musical Instruments Corporation**, Scottsdale, Ark.

[**] Term: **14 Years**

[21] Appl. No.: **62,730**

[22] Filed: **Nov. 22, 1996**

[51] **LOC (6) Cl.** **14-01**

[52] **U.S. Cl.** **D14/168; D14/172**

[58] **Field of Search** D14/124, 168, D14/172, 188-198, 204, 207-216; 181/144, 145, 147, 148, 153, 157, 198, 199; 381/24, 88, 90-91, 153, 159, 186, 188; 455/100, 128, 344, 347, 350, 351

[56] **References Cited**

U.S. PATENT DOCUMENTS

- D. 180,912 9/1957 Mossington D14/214
- D. 229,066 11/1973 Ekdahl et al. D14/213
- D. 340,930 11/1993 Christie D14/214
- D. 348,672 7/1994 Falkner et al. D14/215

OTHER PUBLICATIONS

Radio electronics, vol. XXIII, issue 11, p. 41, French Speaker Aug. 1952.

Primary Examiner—Sandra L. Morris
Assistant Examiner—Nanda Bondade
Attorney, Agent, or Firm—Richard L. Gausewitz; Oppenheimer Poms Smith

[57] **CLAIM**

The ornamental design for a sound system comprising speakers and mixer-amplifier, as shown and described.

DESCRIPTION

FIG. 1 is a front view of a sound system comprising speakers and mixer-amplifier showing our new design, the rear view being a mirror image;
FIG. 2 is a top plan view thereof;
FIG. 3 is a right side elevational view thereof, the left side being a mirror image;
FIG. 4 is a bottom plan view thereof; and,
FIG. 5 is a perspective view thereof.
The broken line showing on FIGS. 1, 3, and 4 is for illustrative purposes only and forms no part of the claimed design.

1 Claim, 3 Drawing Sheets

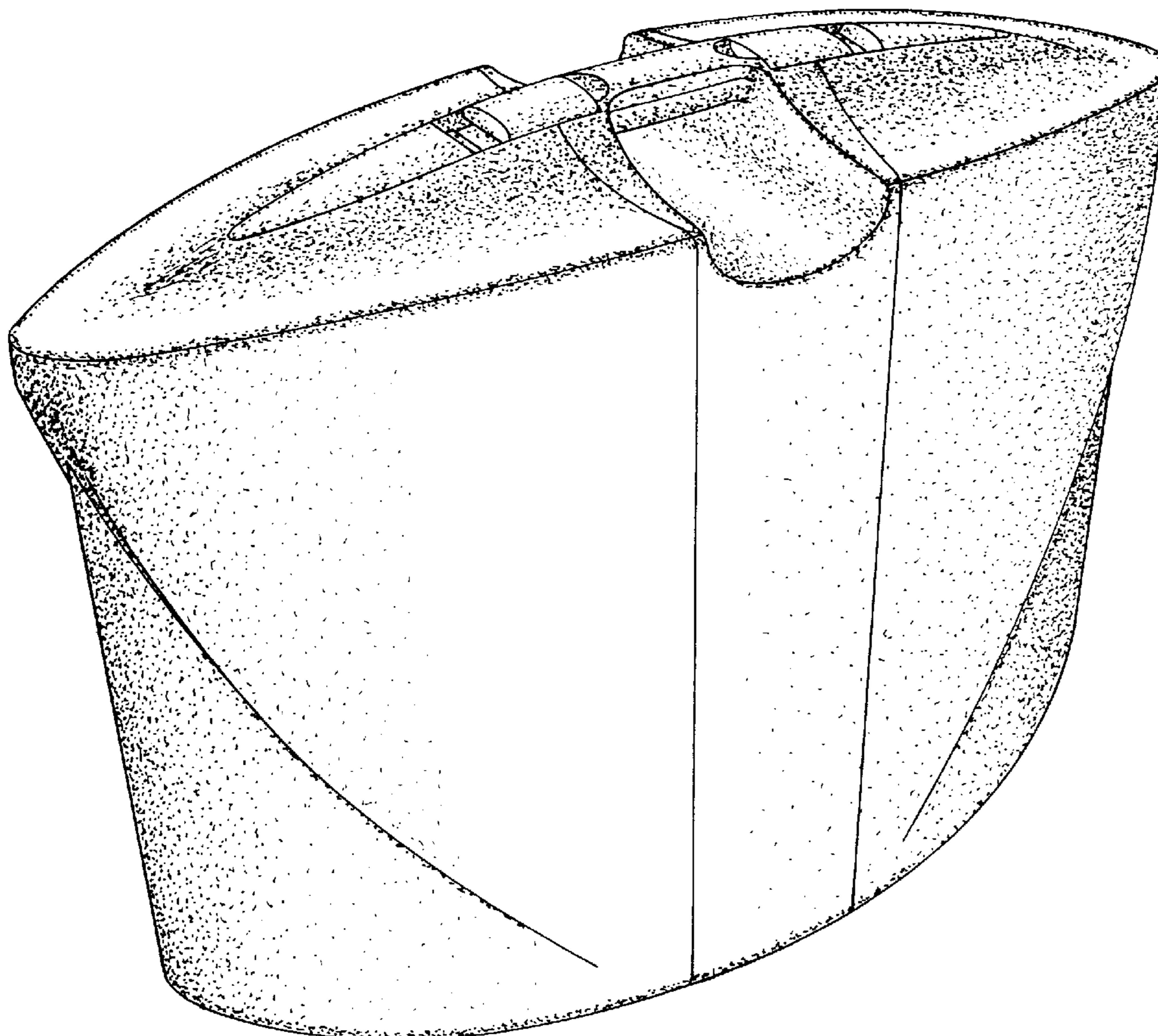


FIG. 2.

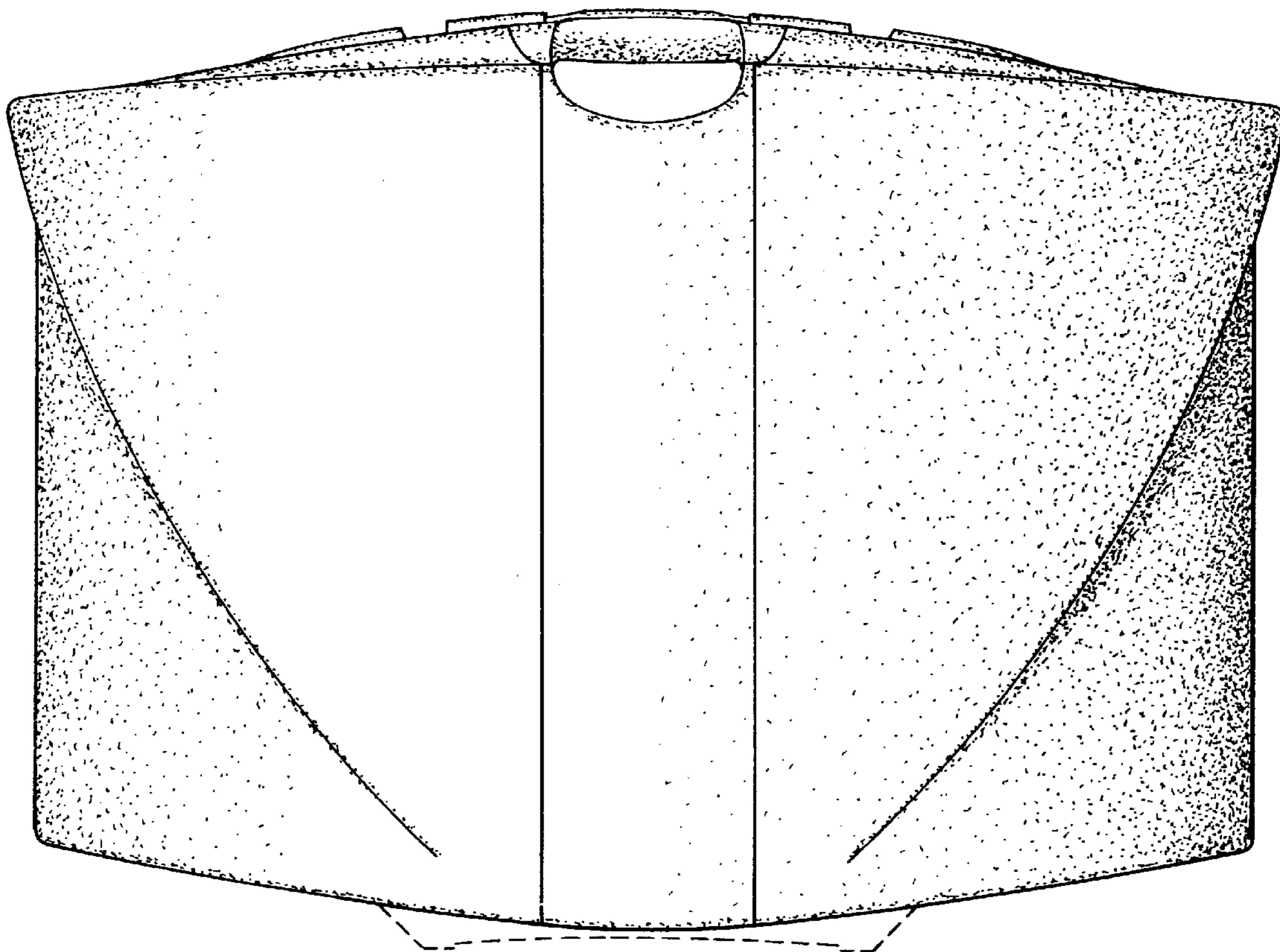
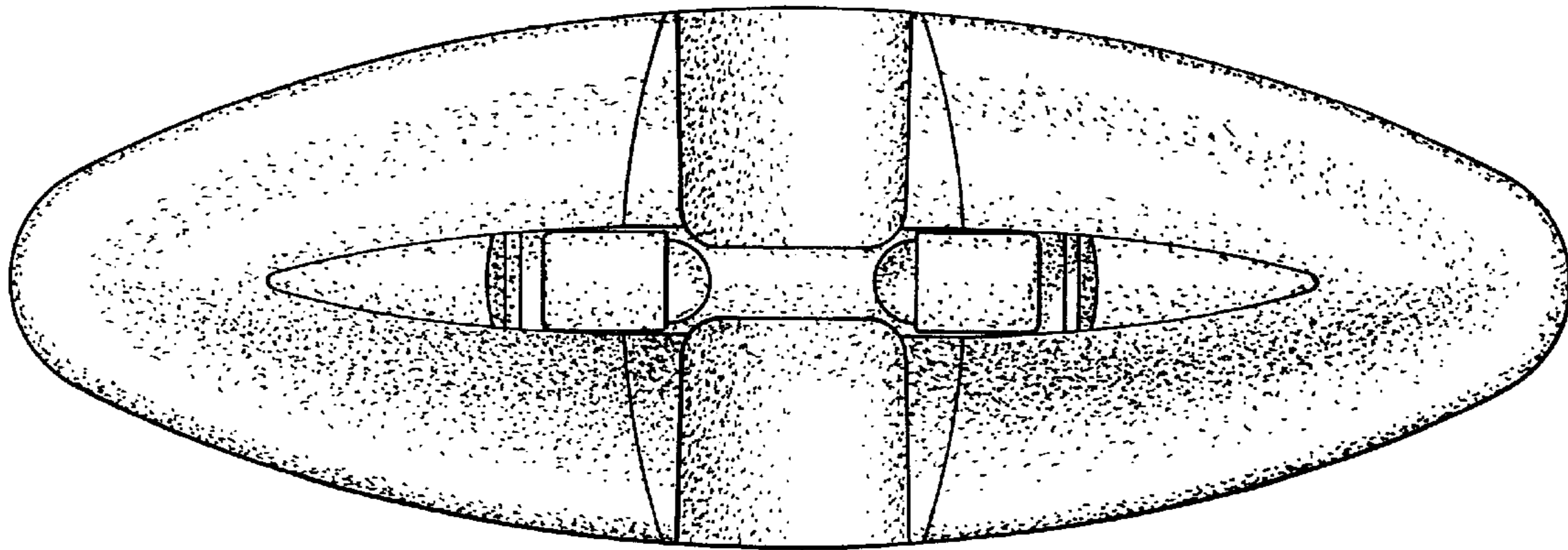


FIG. 1.

FIG. 3.

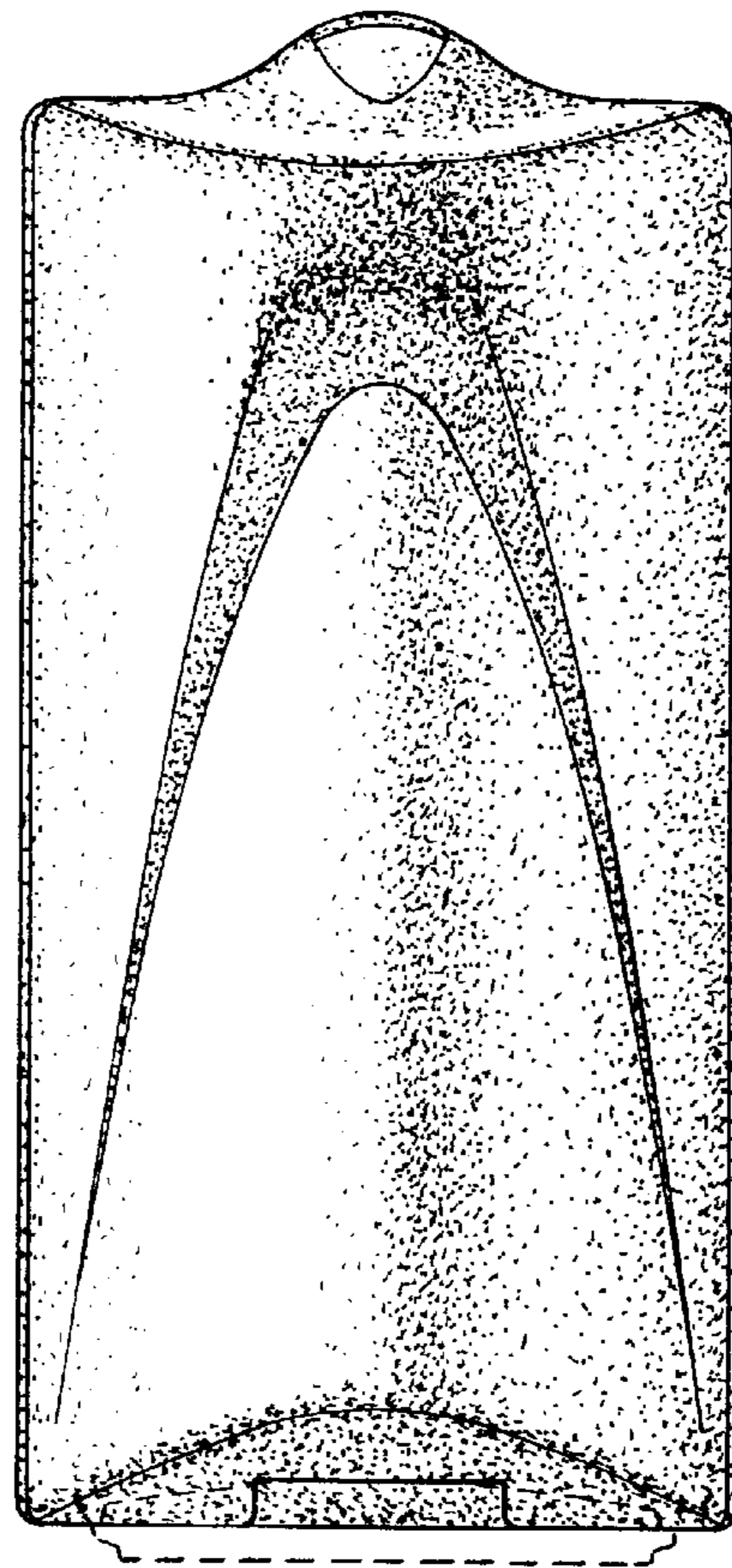
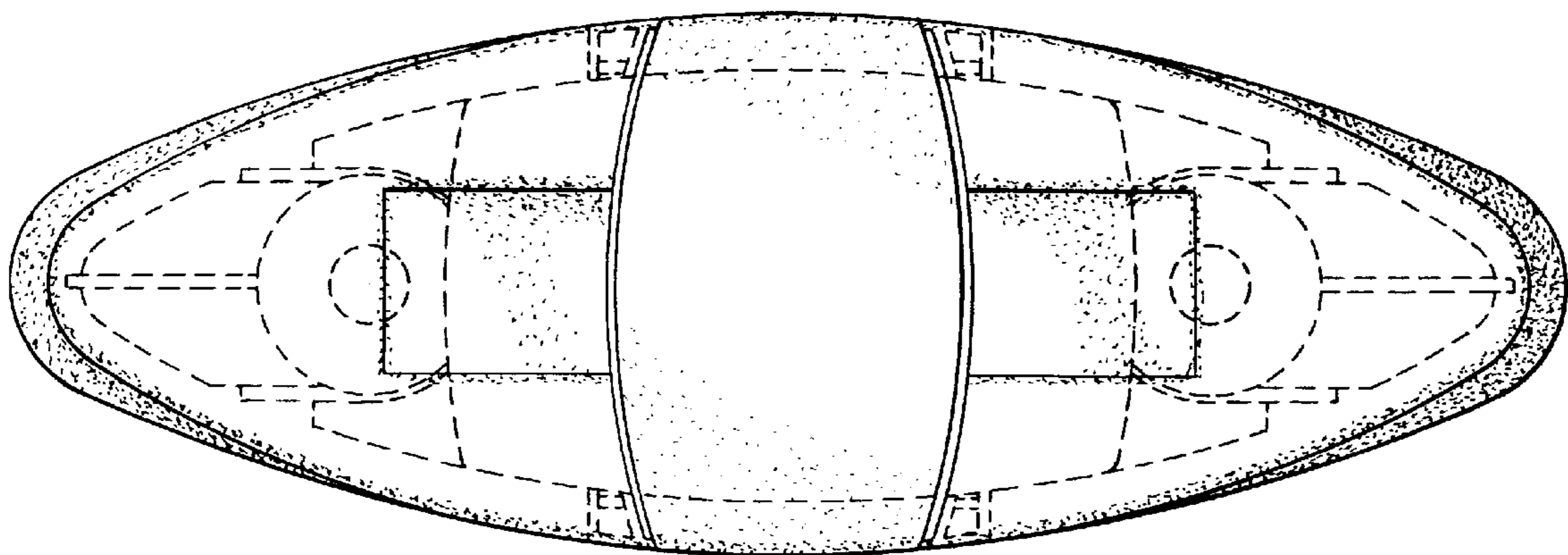


FIG. 4.



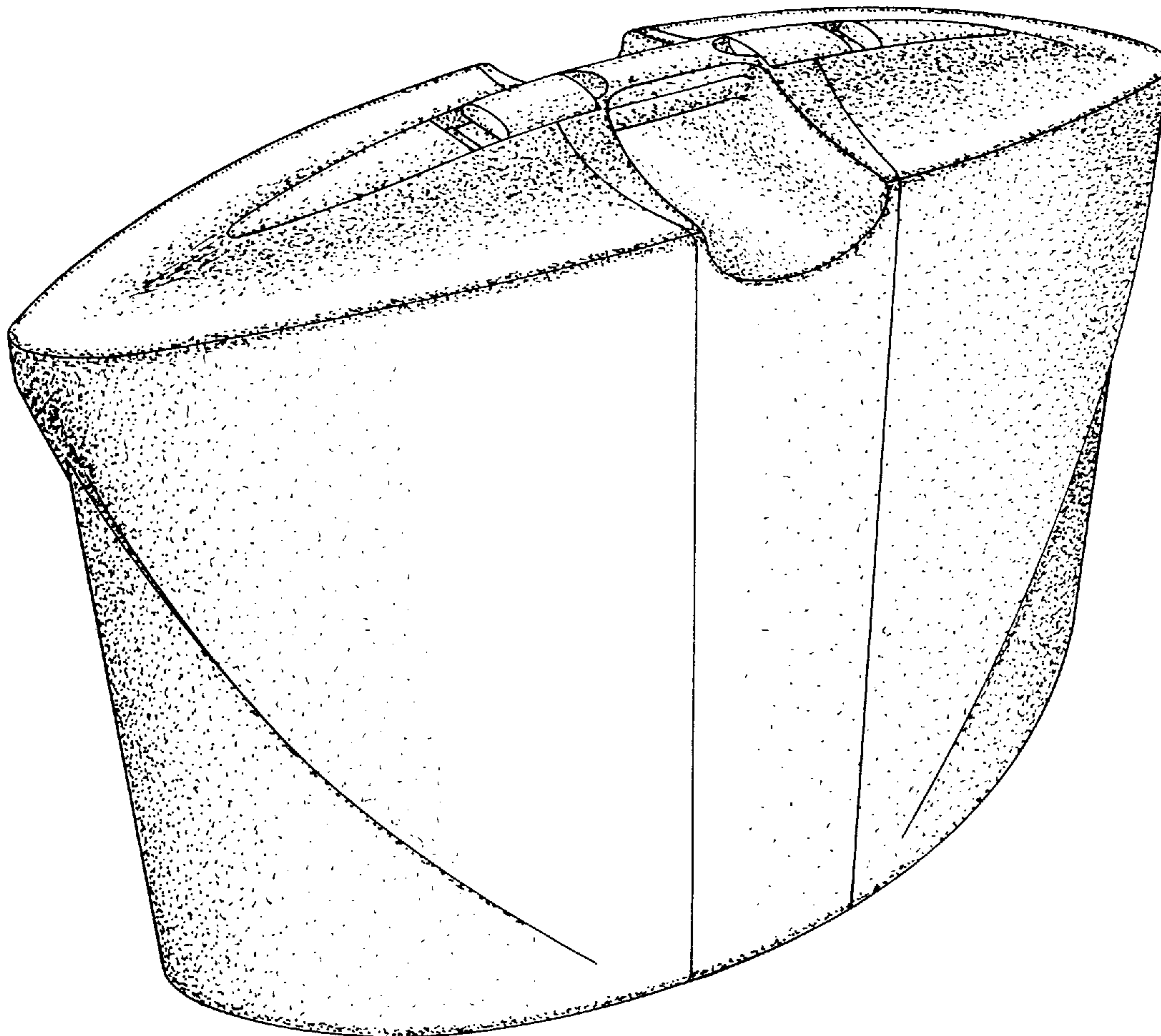


FIG. 5.