



US00D395430S

United States Patent [19]

[11] **Patent Number: Des. 395,430**

Tatenuma

[45] **Date of Patent: **Jun. 23, 1998**

[54] OPTICAL DISK CARTRIDGE

[75] Inventor: **Ikuo Tatenuma**, Tochigi, Japan

[73] Assignee: **Sony Corporation**, Tokyo, Japan

[**] Term: **14 Years**

[21] Appl. No.: **47,046**

[22] Filed: **Nov. 27, 1995**

[51] **LOC (6) Cl.** **14-99**

[52] **U.S. Cl.** **D14/121**

[58] **Field of Search** D14/121, 120,
D14/100, 114, 299, 122; 242/348, 348.4,
341; 360/132, 133; 369/291; 206/309, 310,
312, 313, 307, 308.1; D3/218

[56] **References Cited**

U.S. PATENT DOCUMENTS

D. 197,892	4/1964	Pastor	D14/121
D. 242,465	11/1976	Heidecker et al.	D14/121
D. 293,507	1/1988	Ogusu	D14/121
D. 325,468	4/1992	Ohba	D3/35
4,084,690	4/1978	Pulse	D14/120 X
4,746,013	5/1988	Suzuki et al.	206/309
4,780,868	10/1988	Vignal	206/309 X
4,862,448	8/1989	Tanaka et al.	360/133 X

OTHER PUBLICATIONS

Hong Kong Enterprise, Oct. 1992, p. 285.

Primary Examiner—Prabhakar G. Deshmukh
Attorney, Agent, or Firm—Foley & Lardner

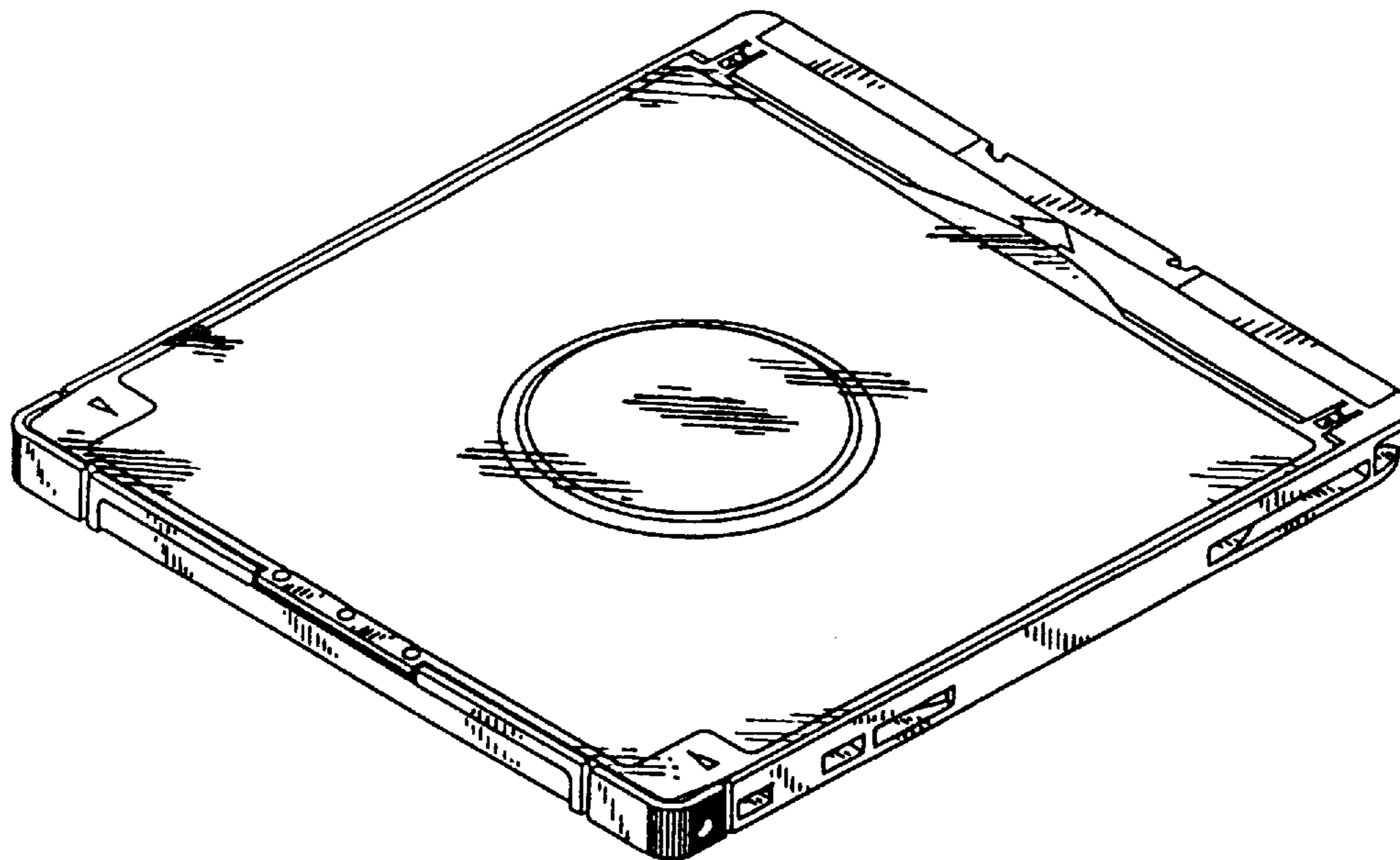
[57] **CLAIM**

The ornamental design for an optical disk cartridge, as shown and described.

DESCRIPTION

FIG. 1 is a perspective view of an optical disk cartridge showing my new design;
 FIG. 2 is a top plan view thereof;
 FIG. 3 is a left side elevational view thereof;
 FIG. 4 is a front elevational view thereof;
 FIG. 5 is a bottom plan view thereof;
 FIG. 6 is a right side elevational view thereof;
 FIG. 7 is a rear elevational view thereof;
 FIG. 8 is a perspective view thereof, wherein the front cover is in the open position;
 FIG. 9 is a rear elevational view thereof, wherein the rear sliding cover is in the open position; and,
 FIG. 10 is a sectional elevational view thereof; taken along line 10—10 of FIG. 4.

1 Claim, 3 Drawing Sheets



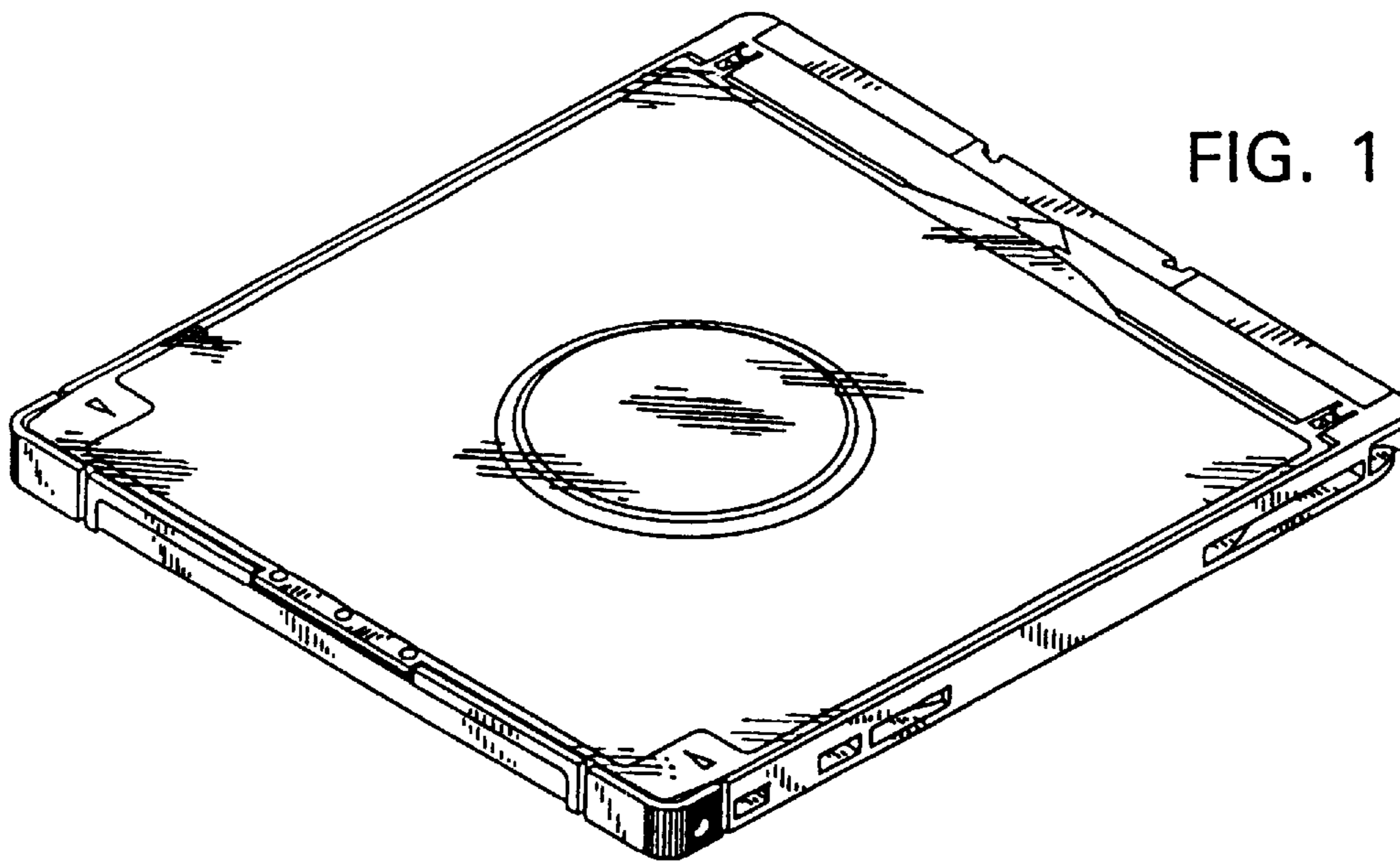


FIG. 1

FIG. 2



FIG. 3

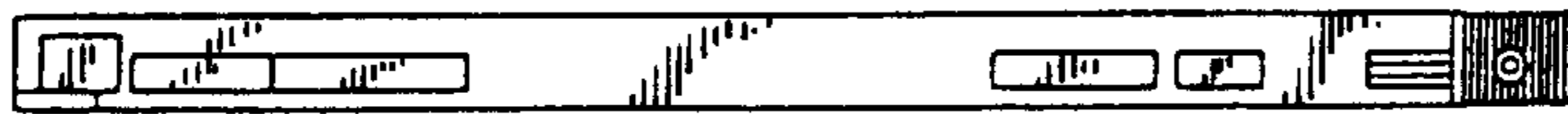


FIG. 4

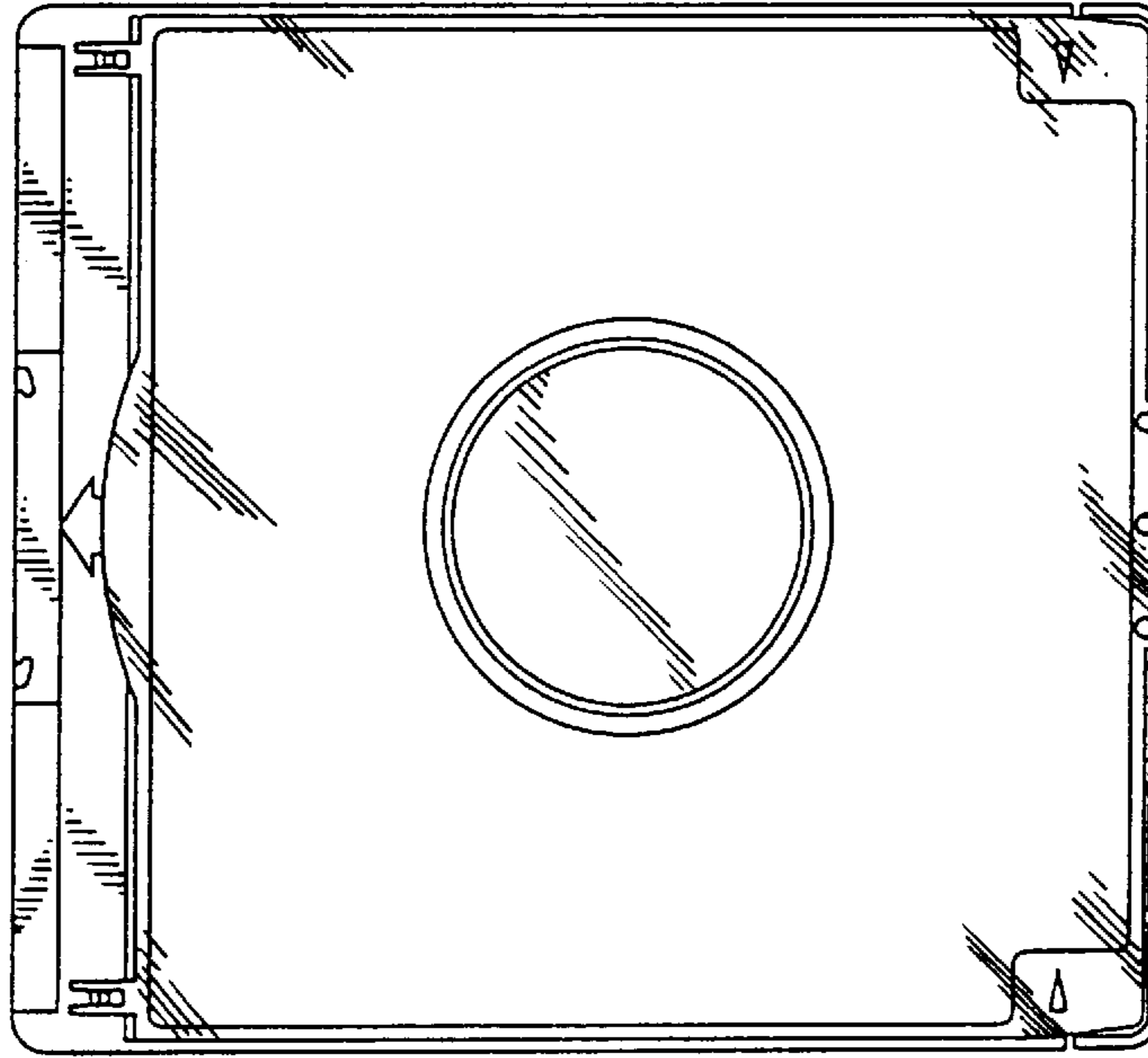


FIG. 6

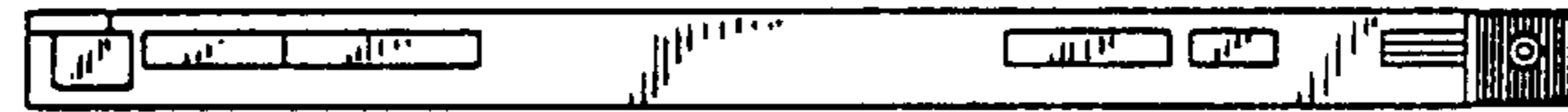


FIG. 7

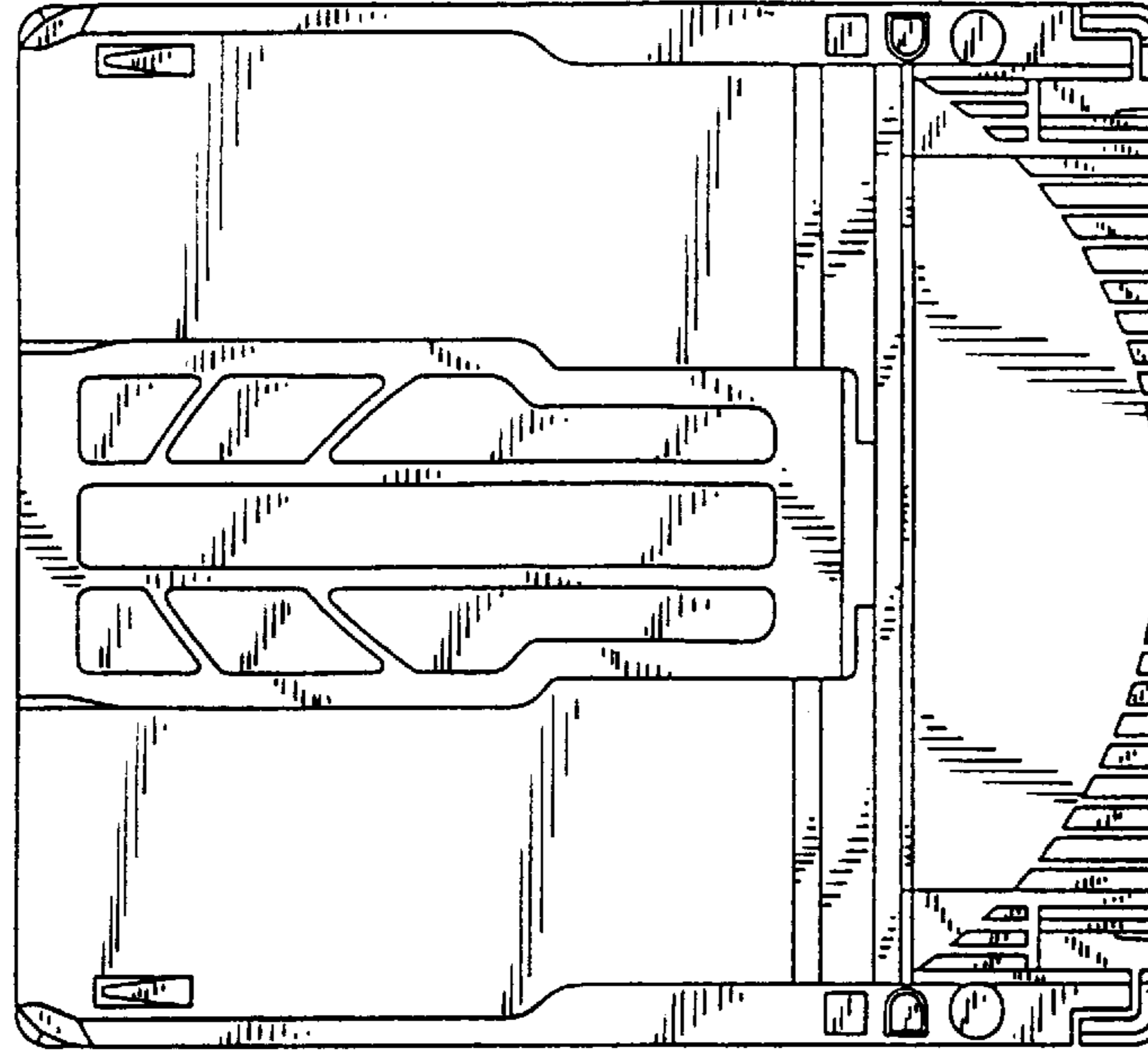


FIG. 5



FIG. 9

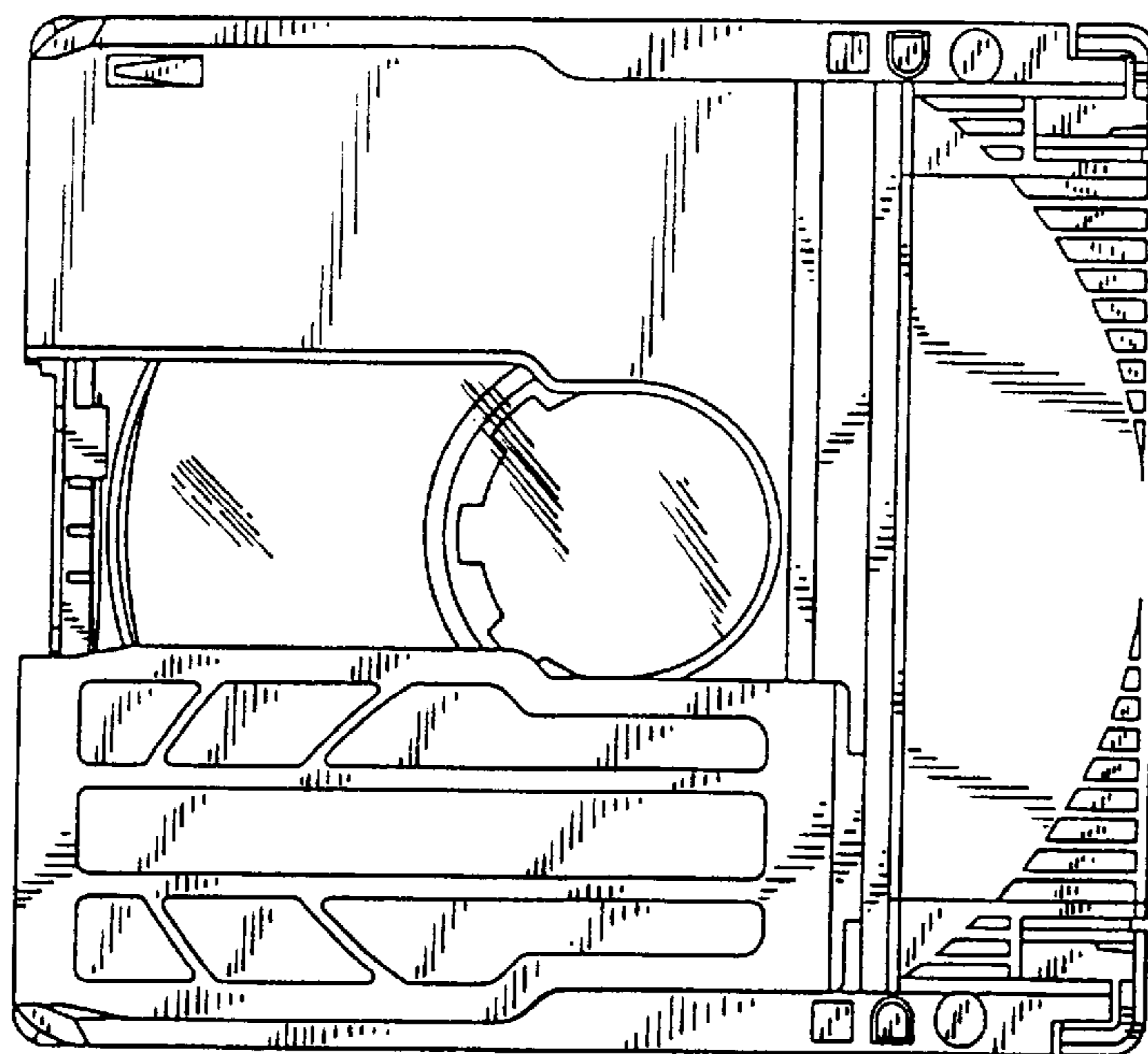


FIG. 8

