



US00D395420S

# United States Patent [19]

Gogan et al.

[11] Patent Number: Des. 395,420

[45] Date of Patent: \*\*Jun. 23, 1998

[54] LUGGAGE RACK

4,993,731 2/1991 Fuller ..... 280/202

[75] Inventors: Donald M. Gogan, Brookfield;  
Thomas G. Parsons, Dousman, both of  
Wis.

[73] Assignee: Harley-Davidson Motor Company,  
Milwaukee, Wis.

[\*\*] Term: 14 Years

[21] Appl. No.: 60,868

[22] Filed: Oct. 9, 1996

### Related U.S. Application Data

[63] Continuation-in-part of Ser. No. 41,653, Jul. 20, 1995,  
abandoned.

[51] LOC (6) Cl. .... 12-16

[52] U.S. Cl. .... D12/407

[58] Field of Search ..... D12/407, 408;  
224/412-417, 924; 297/383, 195.12, 352;  
280/288.4

### [56] References Cited

#### U.S. PATENT DOCUMENTS

D. 203,960	3/1966	Stone	.....	D12/407
D. 208,895	10/1967	Lalati	.....	D12/407
D. 230,965	3/1974	Hellzen	.....	D12/407
D. 244,928	7/1977	Oakes	.....	D12/407
D. 255,561	6/1980	Pold et al.	.....	D12/407
D. 276,331	11/1984	Heiman et al.	.....	D12/407
D. 374,422	10/1996	Gogan	.....	D12/407
4,032,189	6/1977	Benavente et al.	.....	297/352
4,174,796	11/1979	Nakumura	.....	224/413

### OTHER PUBLICATIONS

Custom Chrome 1994 Catalog, pp. 623-624.  
V-Twin 1993 Catalog, p. 511.  
Harley-Davidson 1992 Accessories Catalog, pp. 10, 13,  
18-19, 24-25, 30, 37, 40, 47 & 63.  
Harley-Davidson 1993 Accessories Catalog, p. 20.  
Harley-Davidson 1995 Parts and Accessories Catalog, pp.  
41, 63, 73 and 82.  
"Sissy Bars, Racks & Bags," from *Hot Road Bikes*, pp.  
67-68, Jan., 1996.  
Drag Specialties Catalog, 1995 p. 6, The Fender Luggage  
Racks, ©1995.

Primary Examiner—Melody N. Brown  
Attorney, Agent, or Firm—Michael, Best & Friedrich LLP

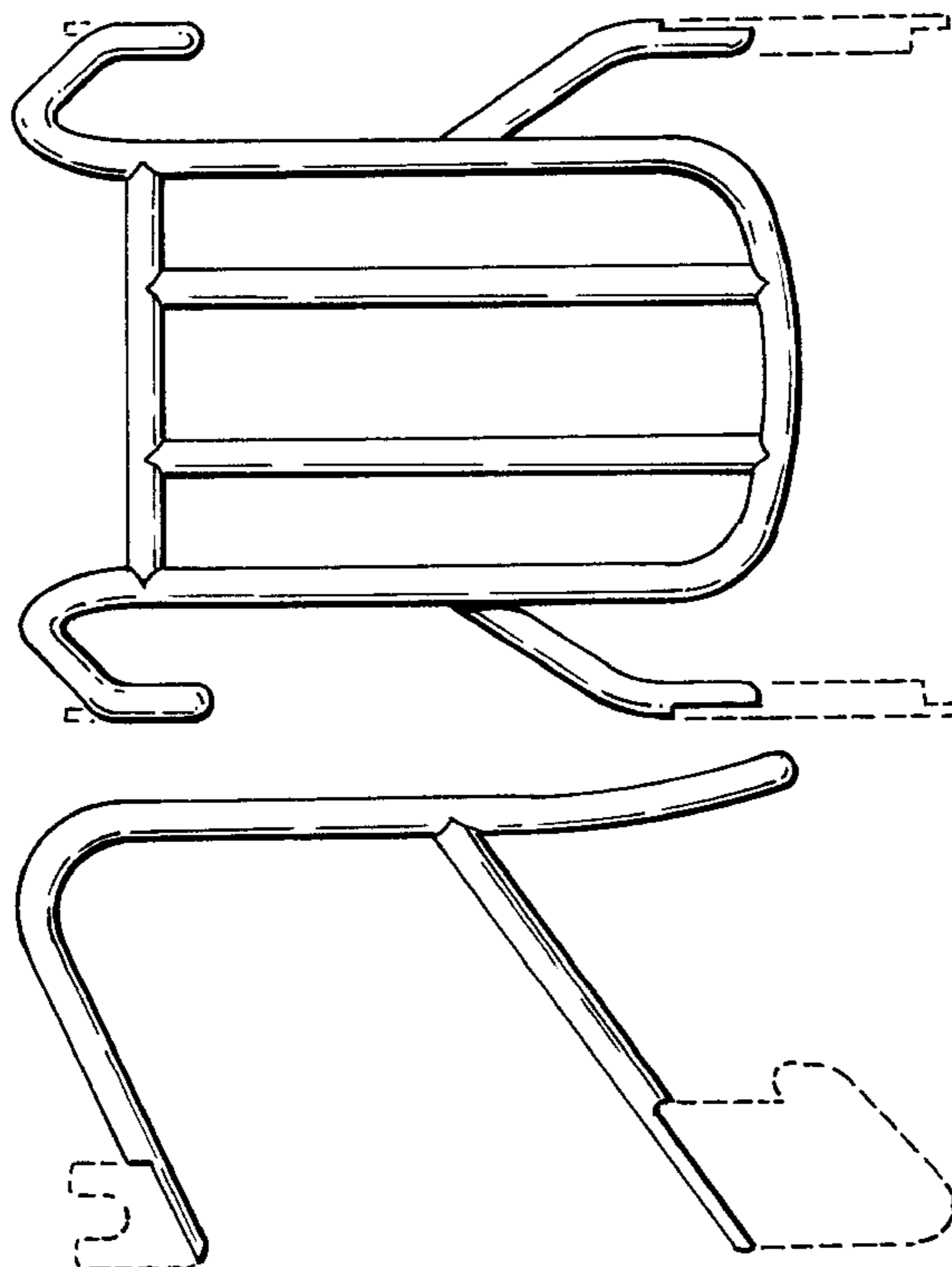
### [57] CLAIM

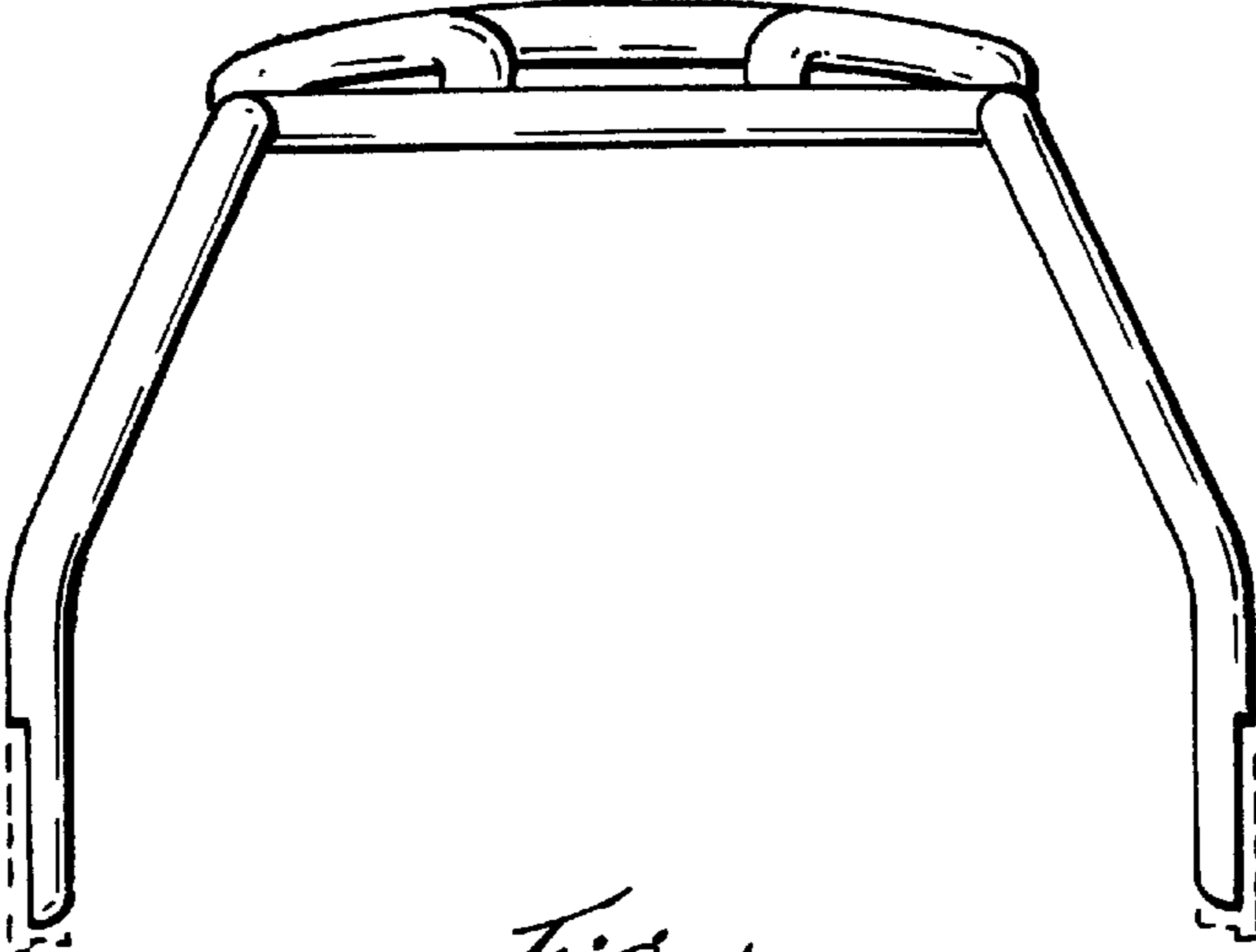
The ornamental design for a luggage rack, as shown and  
described.

### DESCRIPTION

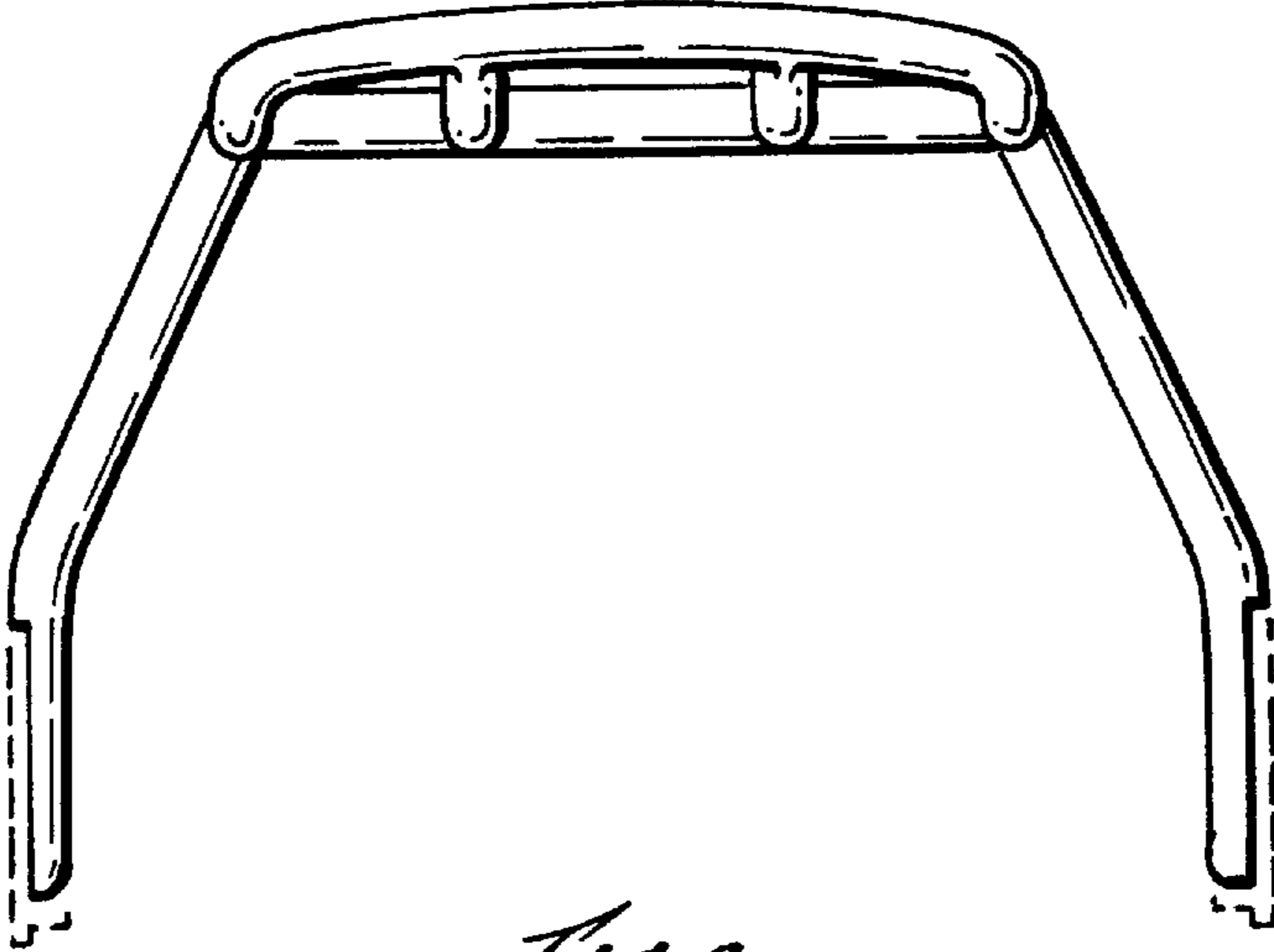
FIG. 1 is a front view of a luggage rack embodying the  
present invention;  
FIG. 2 is a rear view of the luggage rack of FIG. 1;  
FIG. 3 is an inverted right side view of the luggage rack of  
FIG. 1;  
FIG. 4 is a top view of the luggage rack of FIG. 1; and,  
FIG. 5 is a left side view of the luggage rack of FIG. 1.  
The broken lines shown in all views of the drawing are for  
illustrative purposes only and form no part of the claimed  
design. The bottom view of the luggage rack is not visible  
in its normal or intended use.

1 Claim, 2 Drawing Sheets

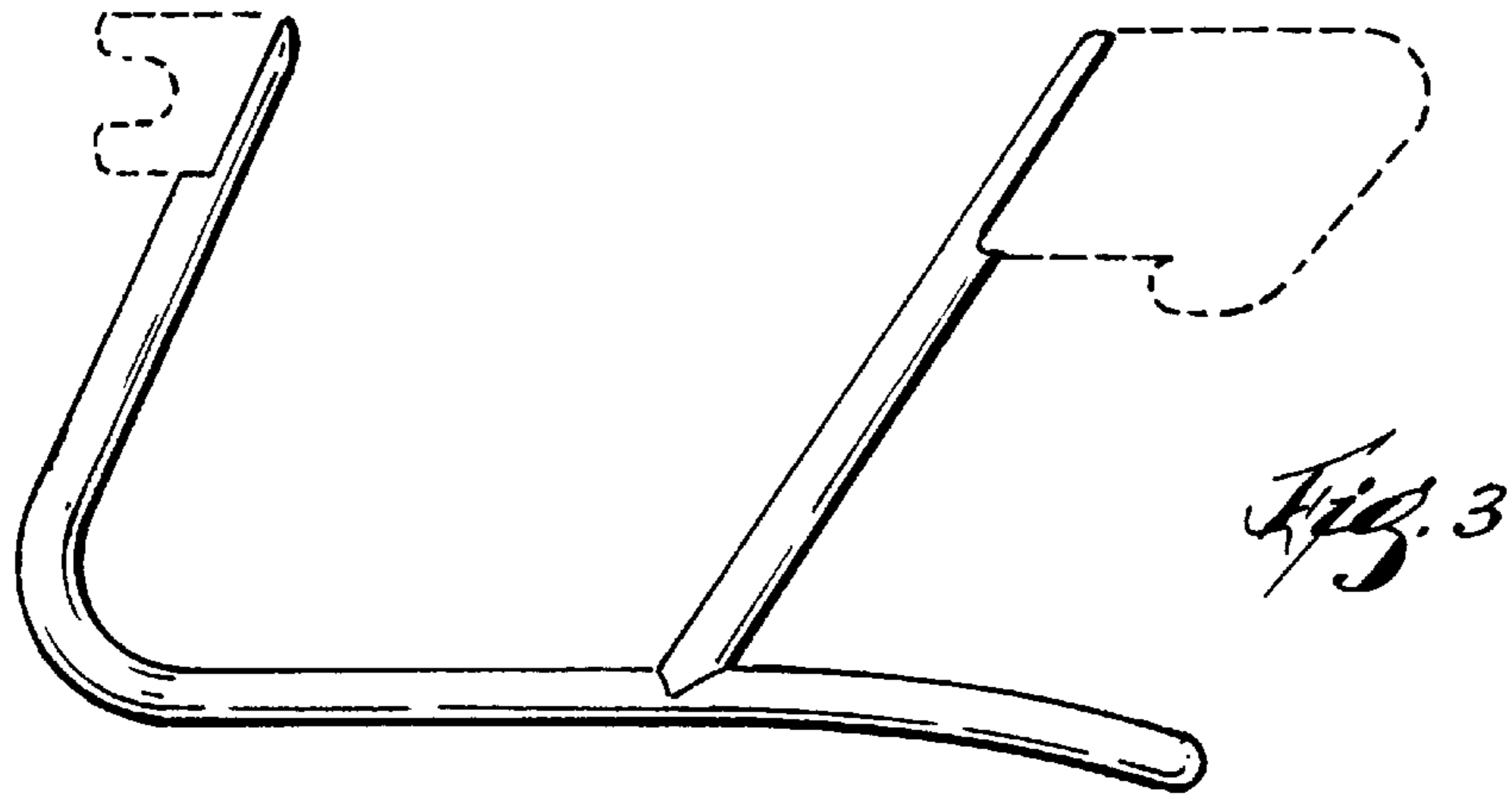




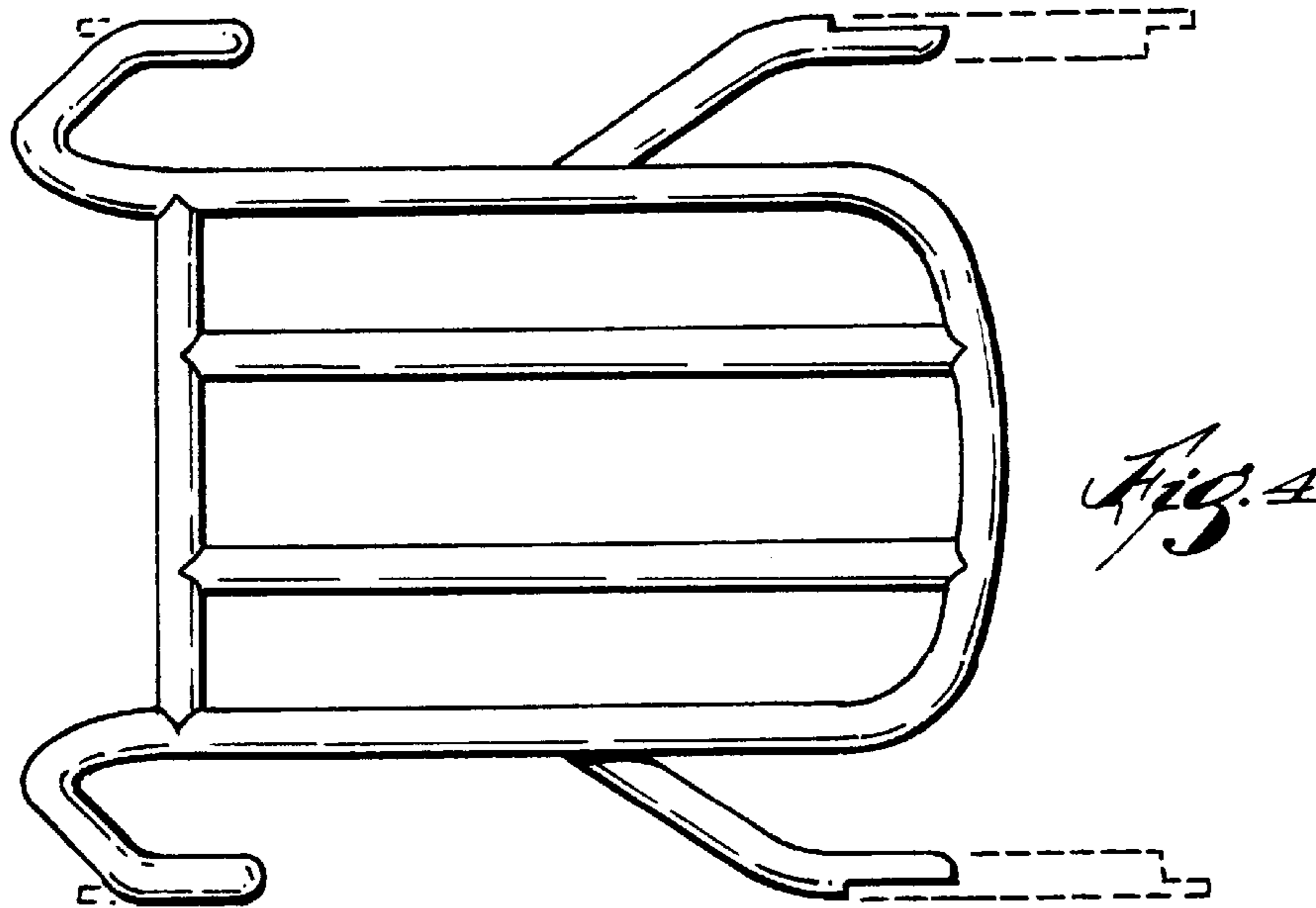
*Fig. 1*



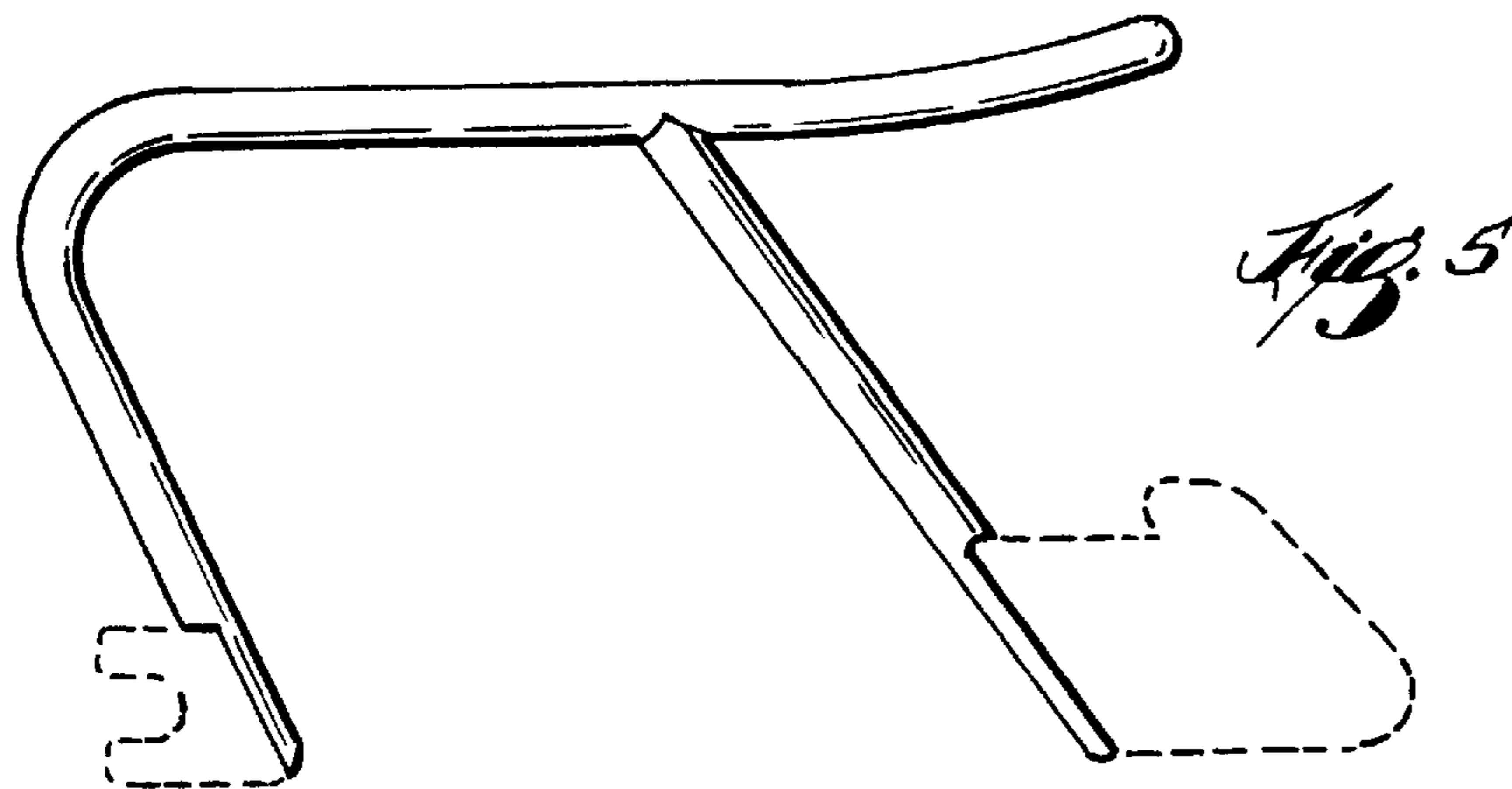
*Fig. 2*



*Fig. 3*



*Fig. 4*



*Fig. 5*