



US00D395417S

United States Patent [19]
Kim

[11] **Patent Number: Des. 395,417**

[45] **Date of Patent: **Jun. 23, 1998**

[54] **VEHICLE ANTI-THEFT COVER**

[76] Inventor: **Ki Il Kim**, 255 S. Grand Ave., Suite 2004, Los Angeles, Calif. 90012

[**] Term: **14 Years**

[21] Appl. No.: **72,340**

[22] Filed: **Jun. 13, 1997**

[51] **LOC (6) Cl.** **12-16**

[52] **U.S. Cl.** **D12/177**

[58] **Field of Search** D12/177; 74/558.5, 74/558; 2/209.11, 209.12, 195.1-195.3; 5/440, 636, 652; 70/209; 280/731, 743.1

[56] **References Cited**

U.S. PATENT DOCUMENTS

3,618,979	11/1971	Gulette	280/737
4,287,621	9/1981	Kertz	5/636
5,131,290	7/1992	Atkinson	74/558.5
5,507,205	4/1996	Riumi	74/558

Primary Examiner—Melody N. Brown
Attorney, Agent, or Firm—Irving Keschner

[57] **CLAIM**

The ornamental design for a vehicle anti-theft cover, as shown and described.

DESCRIPTION

FIG. 1 is a perspective view of a vehicle anti-theft cover showing my new design, the broken lines are shown for illustrative purposes only and form no part of the claimed design;

FIG. 2 is a left side view of the ornamental design of the present invention, the right side view being a mirror image thereof;

FIG. 3 is a front view of the ornamental design of the present invention;

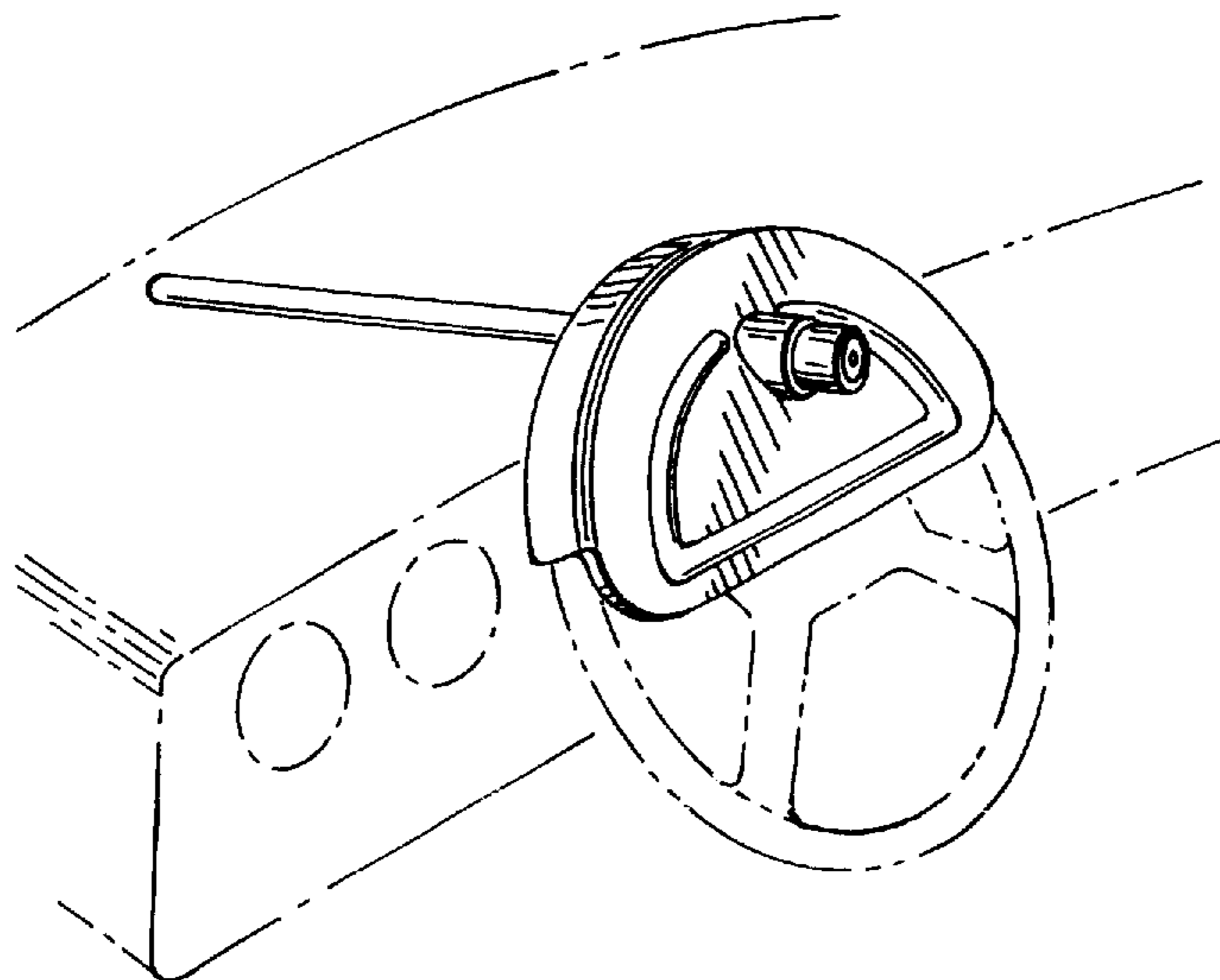
FIG. 4 is a rear view of the ornamental design of the present invention;

FIG. 5 is a top view of the ornamental design of the present invention;

FIG. 6 is a bottom view of the ornamental design of the present invention; and,

FIG. 7 is a perspective view of the ornamental design of the present invention without the locking bar.

1 Claim, 3 Drawing Sheets



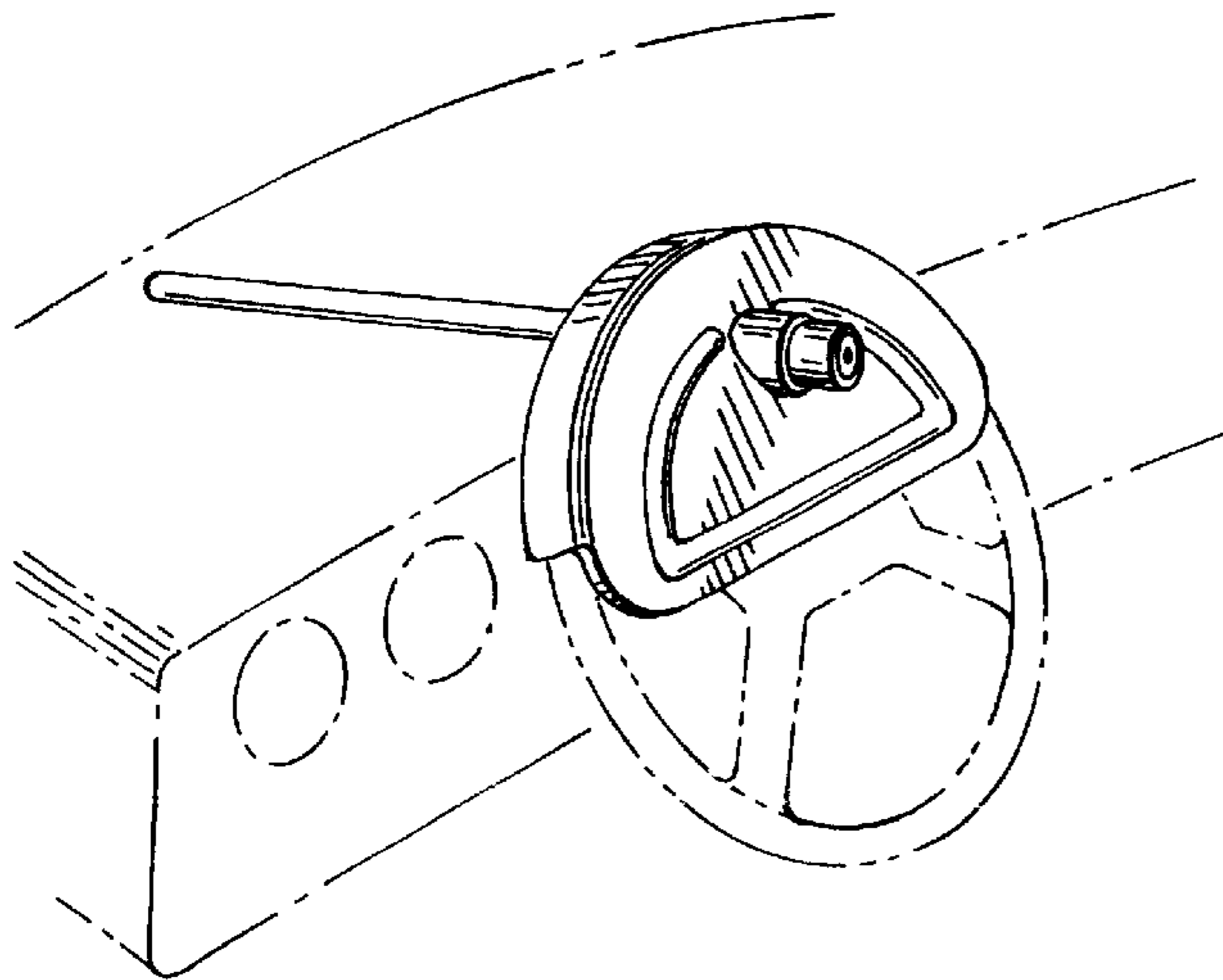


FIG. 1

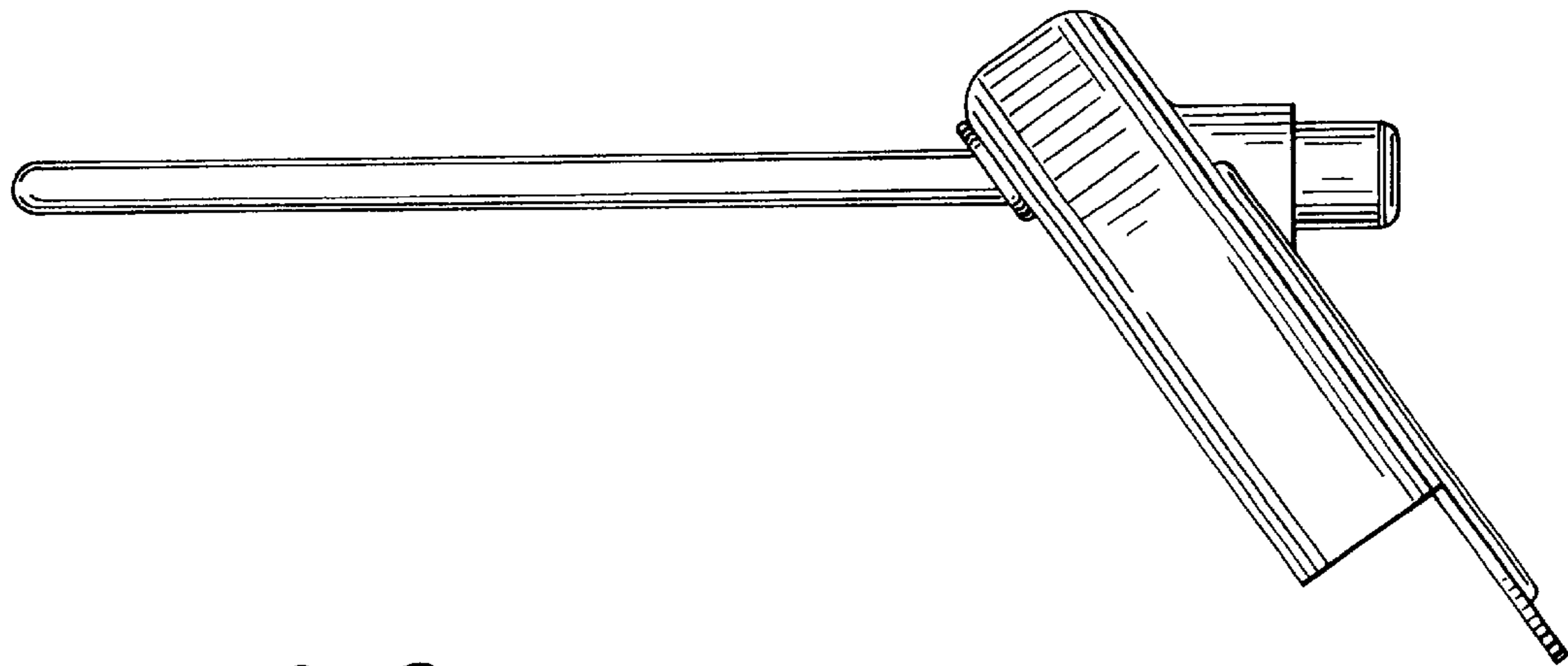
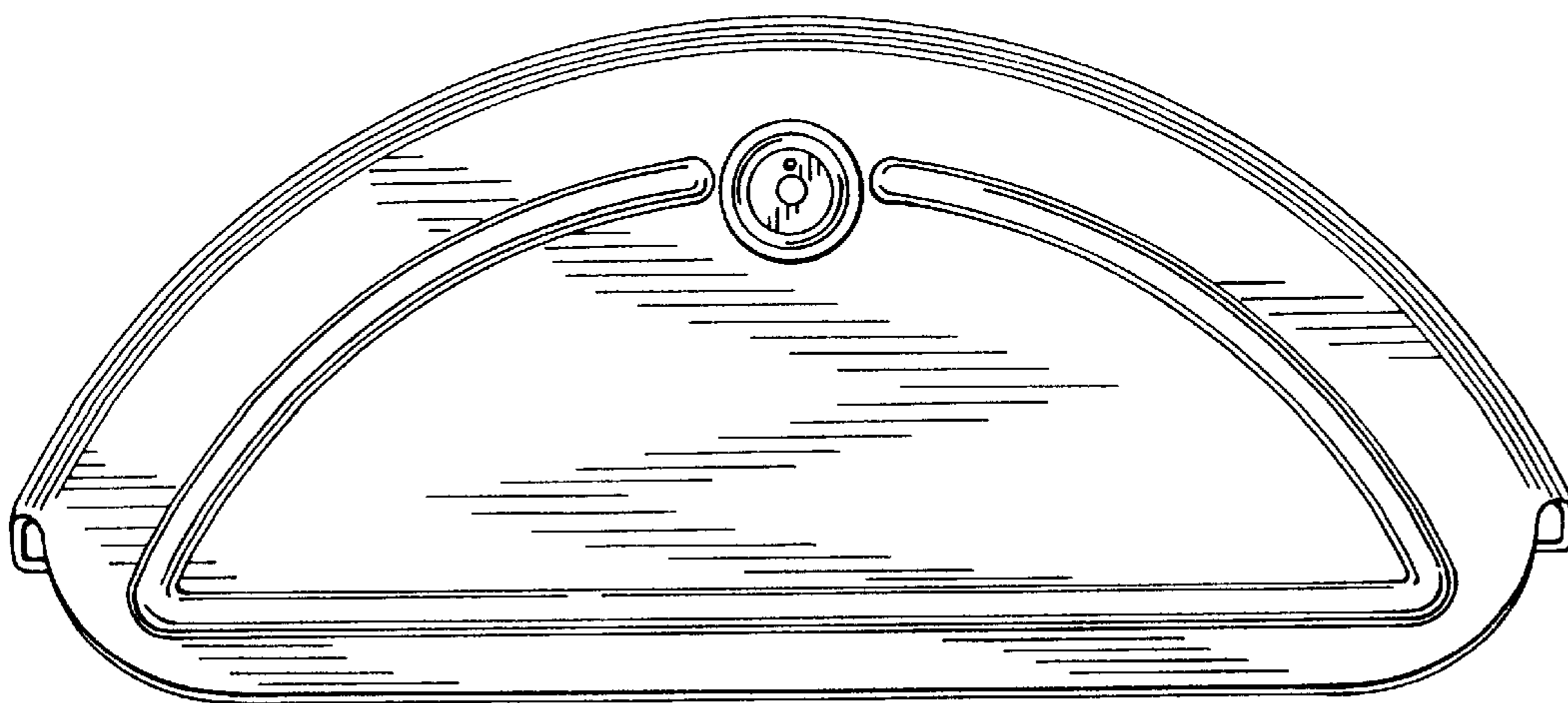


FIG. 2

FIG. 3



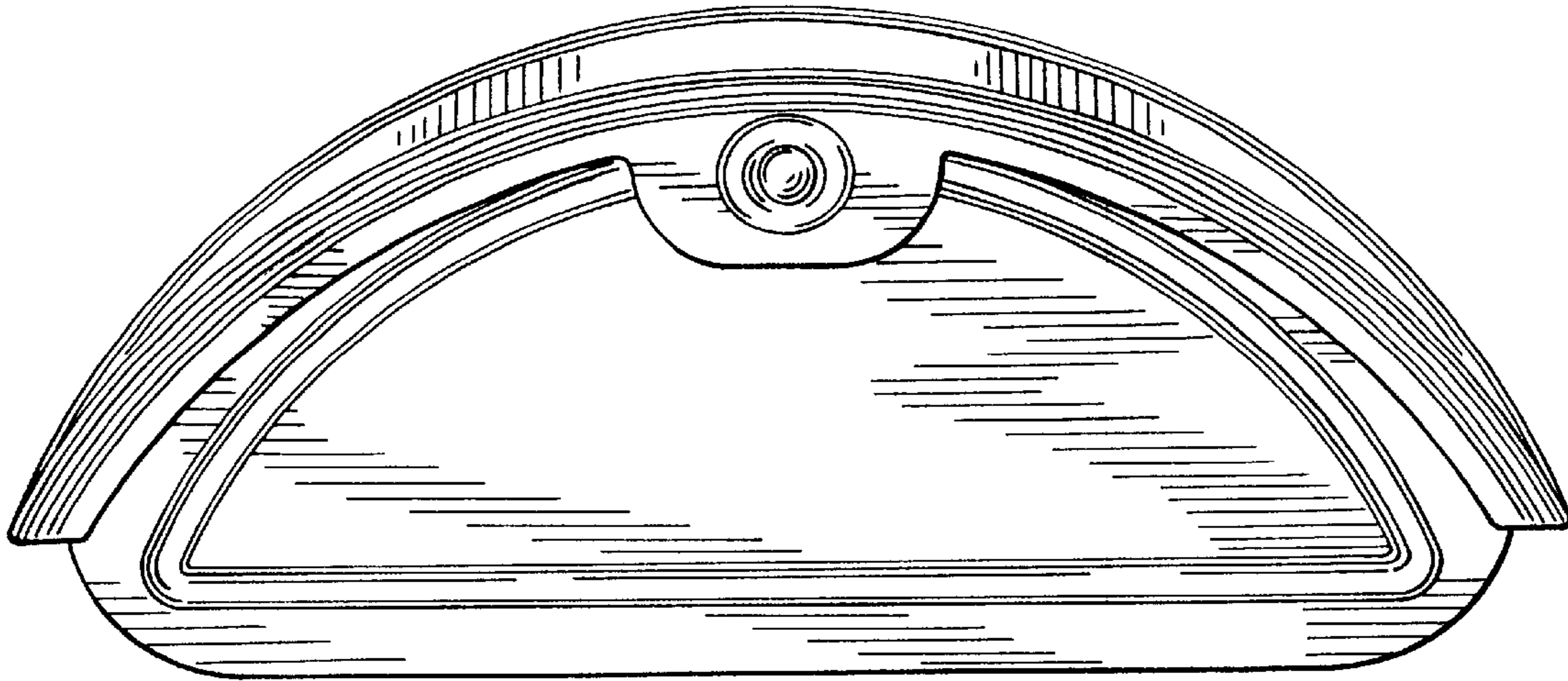


FIG. 4

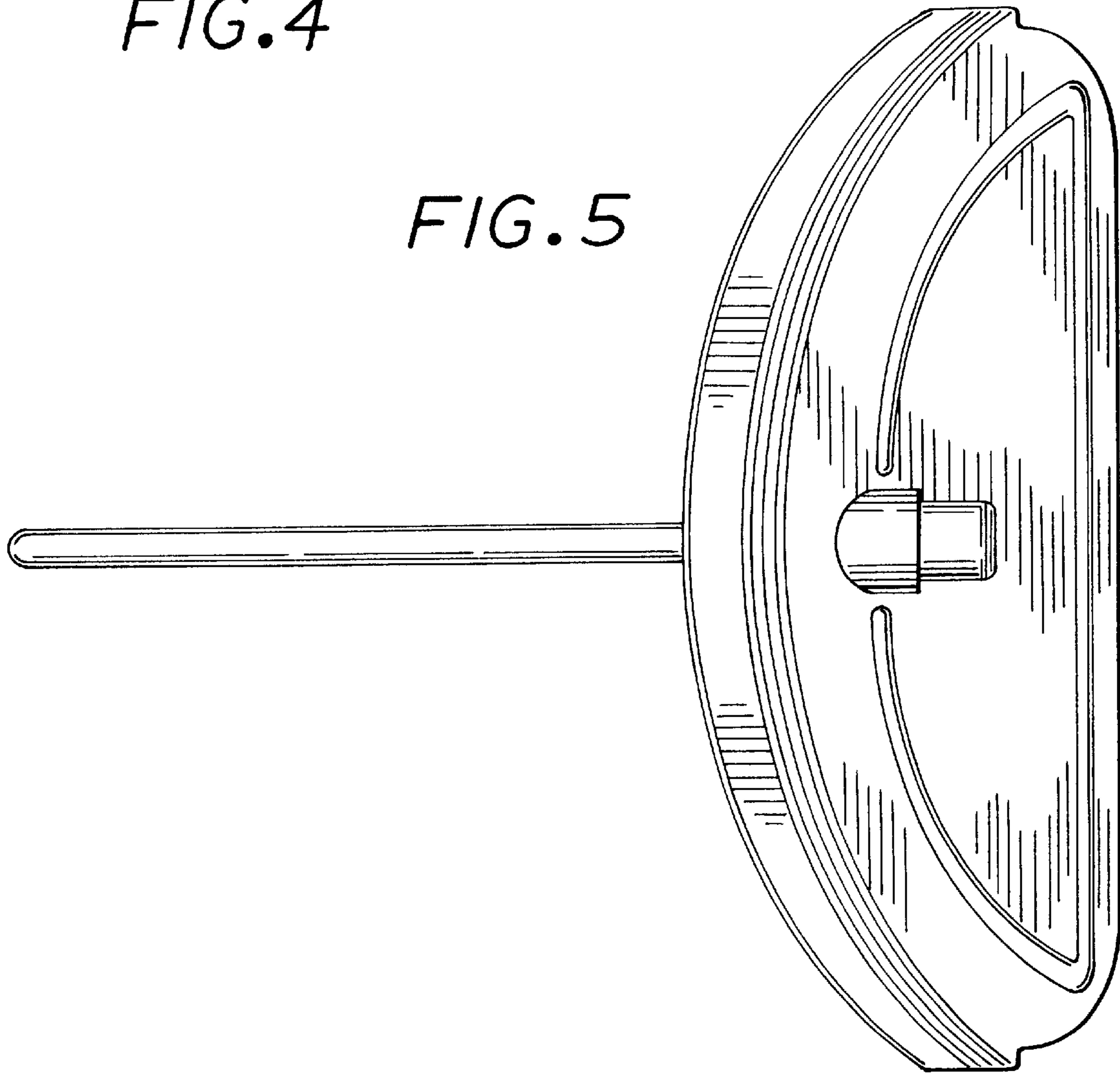


FIG. 5

FIG. 6

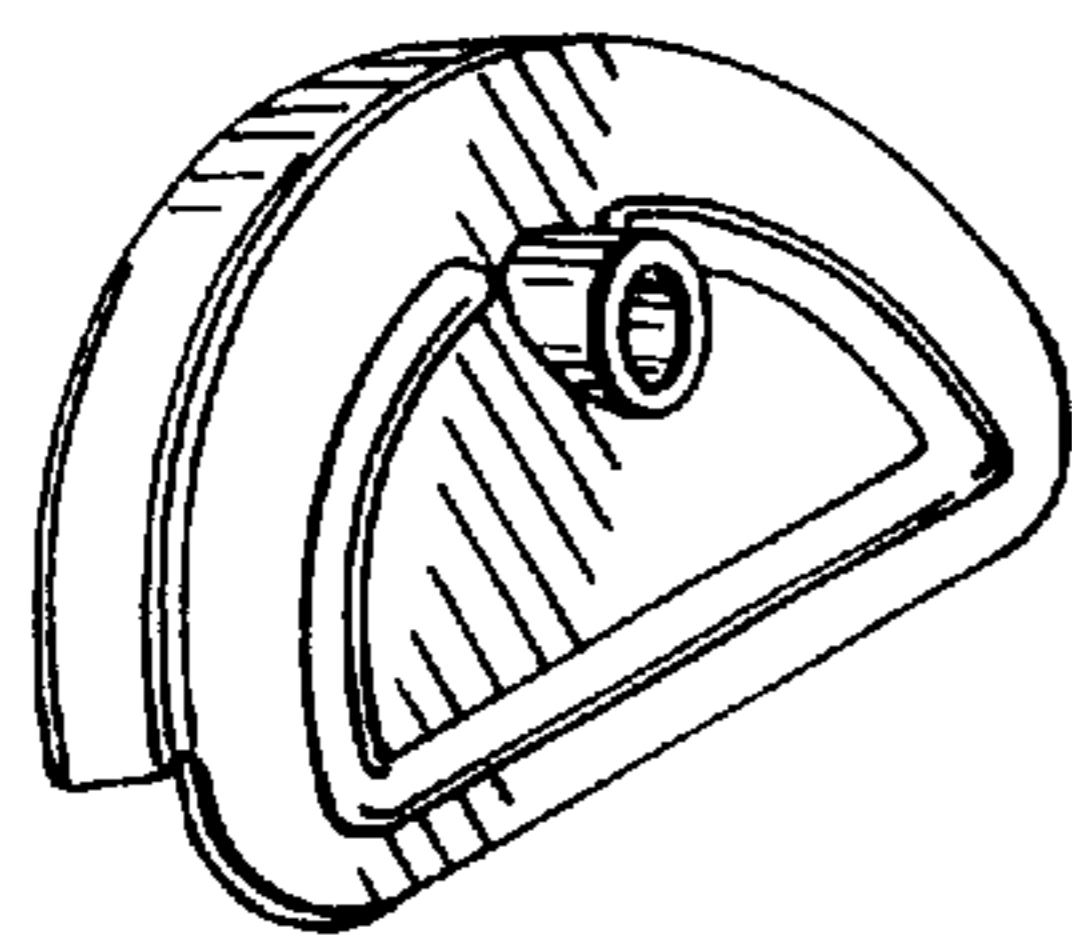
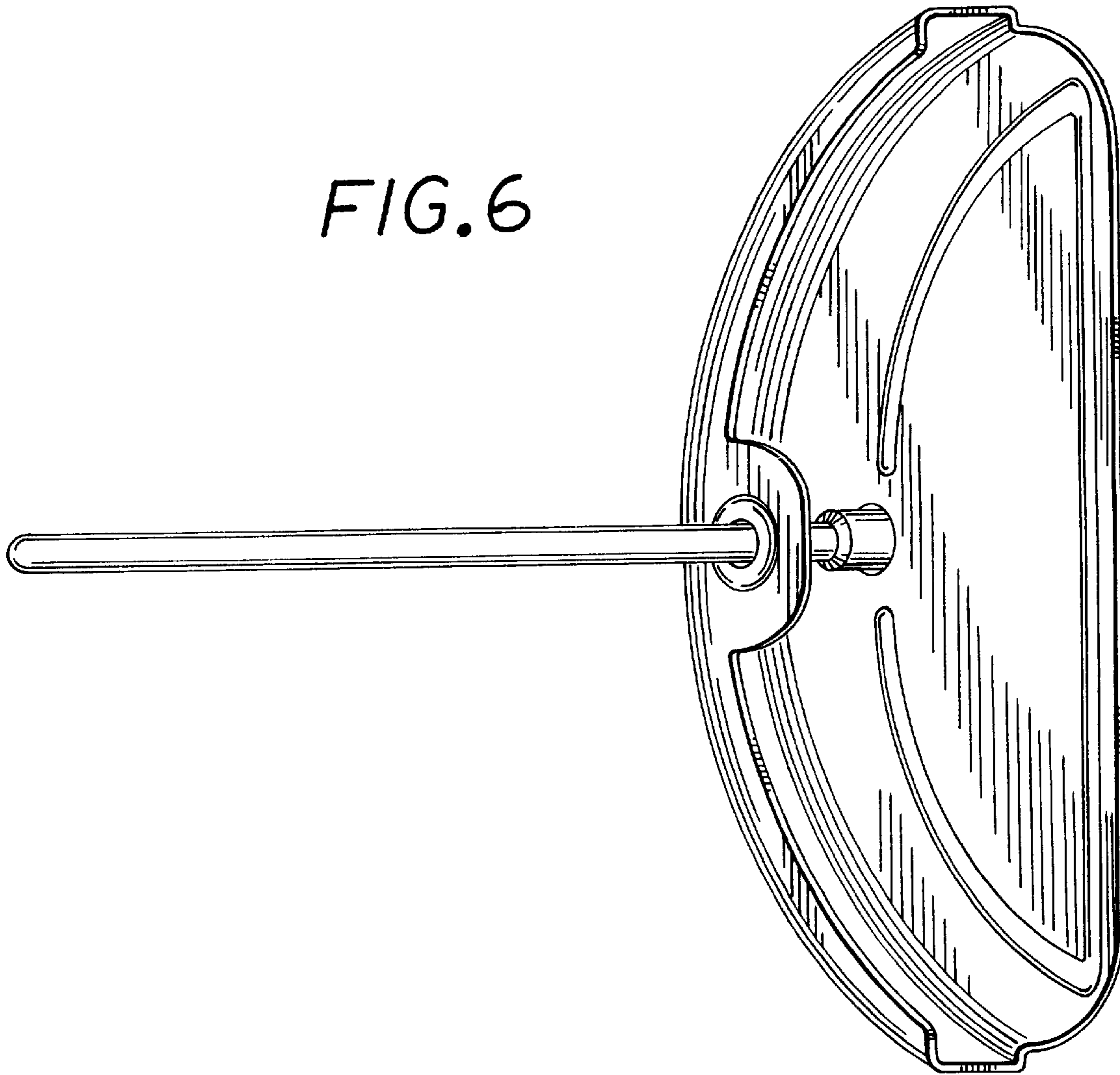


FIG. 7