



US00D395416S

**United States Patent** [19]  
**Shklyaver**

[11] **Patent Number: Des. 395,416**

[45] **Date of Patent: \*\*Jun. 23, 1998**

[54] **PUSH BUMPER FOR MOUNTING TO A BUMPER OF A VEHICLE**

D. 375,066 10/1996 Tisi ..... D12/169  
3,746,383 7/1973 Davis ..... D12/169

[76] Inventor: **Leo Shklyaver**, 840 E. 8th St.,  
Brooklyn, N.Y. 11230

*Primary Examiner*—Melody N. Brown  
*Attorney, Agent, or Firm*—Goodman & Teitelbaum, Esqs.

[\*\*] Term: **14 Years**

[57] **CLAIM**

The ornamental design for a push bumper for mounting to a bumper of a vehicle, as shown.

[21] Appl. No.: **59,573**

[22] Filed: **Sep. 13, 1996**

**DESCRIPTION**

[51] **LOC (6) Cl.** ..... **12-16**

[52] **U.S. Cl.** ..... **D12/169**

[58] **Field of Search** ..... D12/169; 293/102,  
293/113, 115, 120

FIG. 1 is a front perspective view of a push bumper for mounting to a bumper of a vehicle, showing my new design; FIG. 2 is a left side elevational view thereof; FIG. 3 is a front elevational view thereof; FIG. 4 is a rear elevational view thereof; FIG. 5 is a top plan view thereof; and, FIG. 6 is a bottom plan view thereof.

[56] **References Cited**

**U.S. PATENT DOCUMENTS**

D. 116,070 8/1939 Walklet ..... D12/169  
D. 236,260 8/1975 Allmand ..... D12/169

**1 Claim, 2 Drawing Sheets**

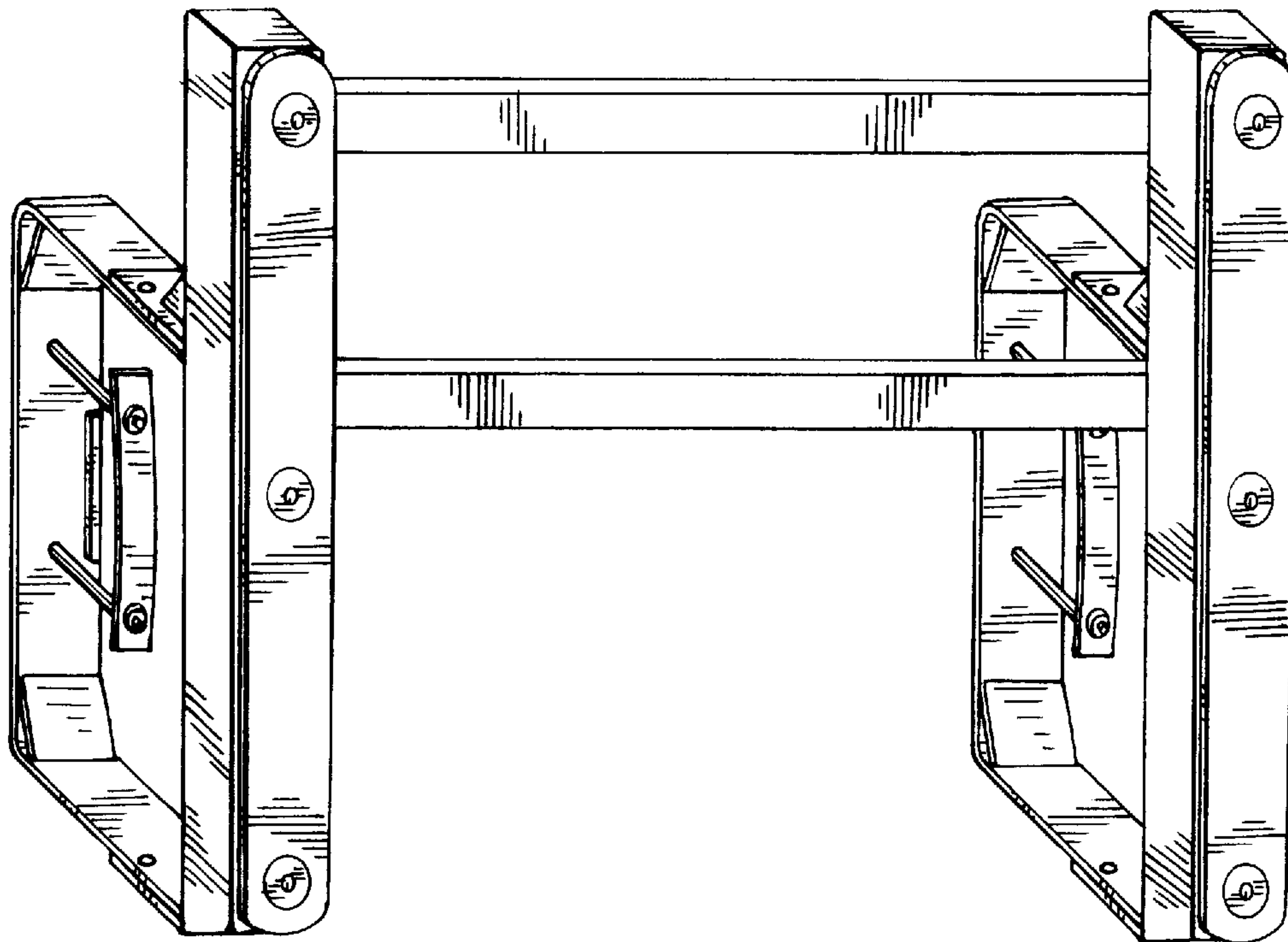


FIG. 2

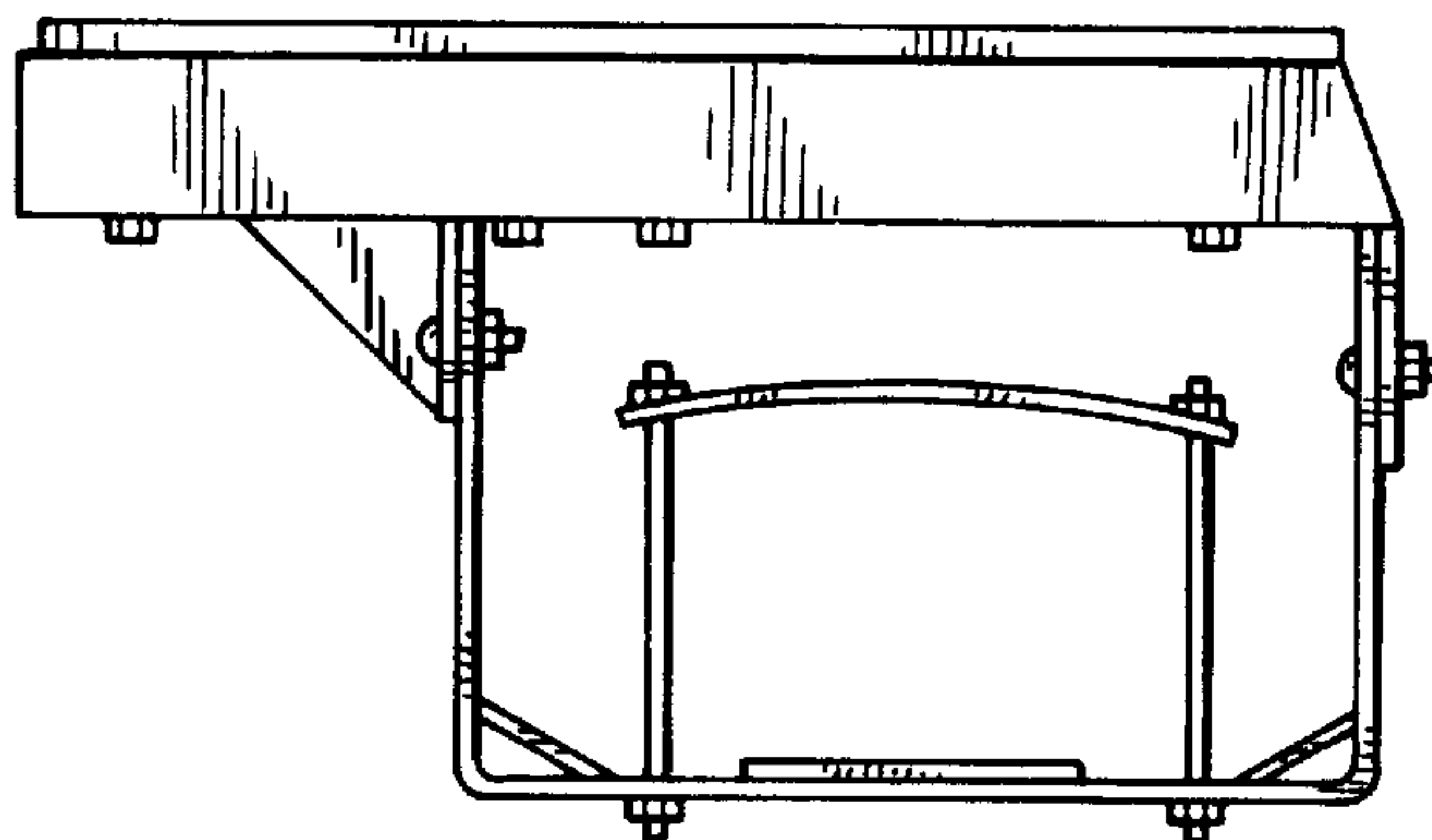


FIG. 1

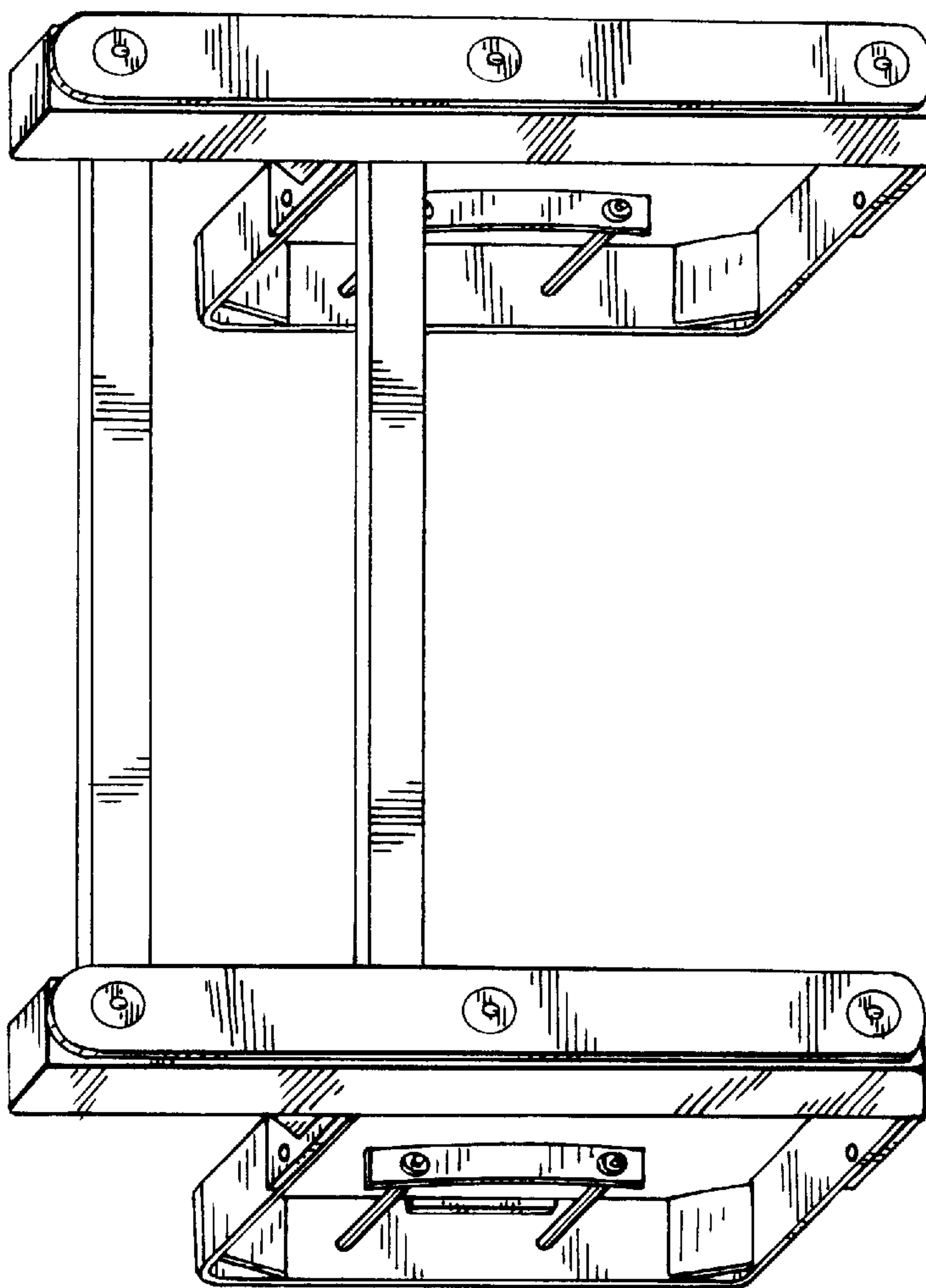


FIG. 4

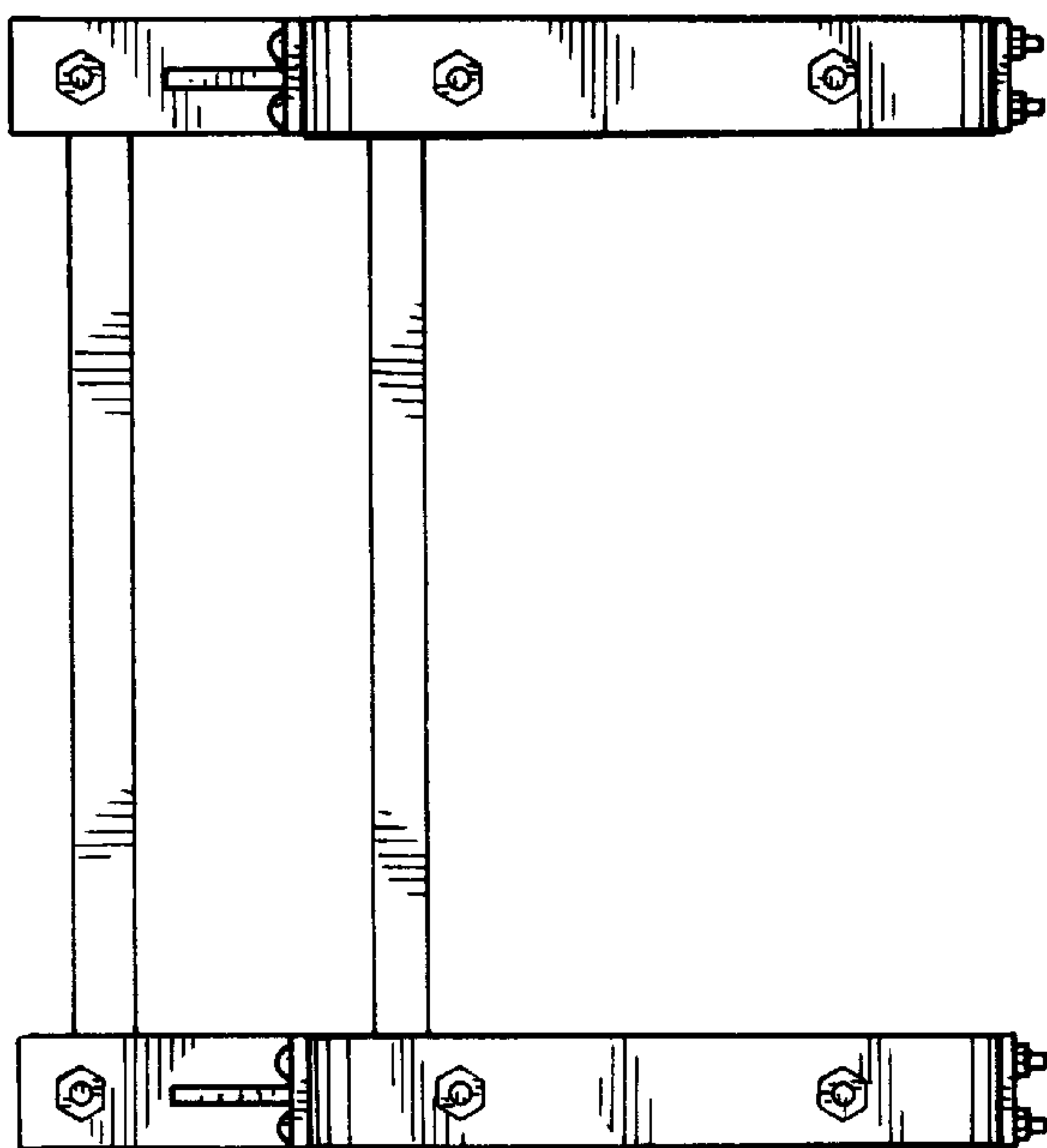


FIG. 6

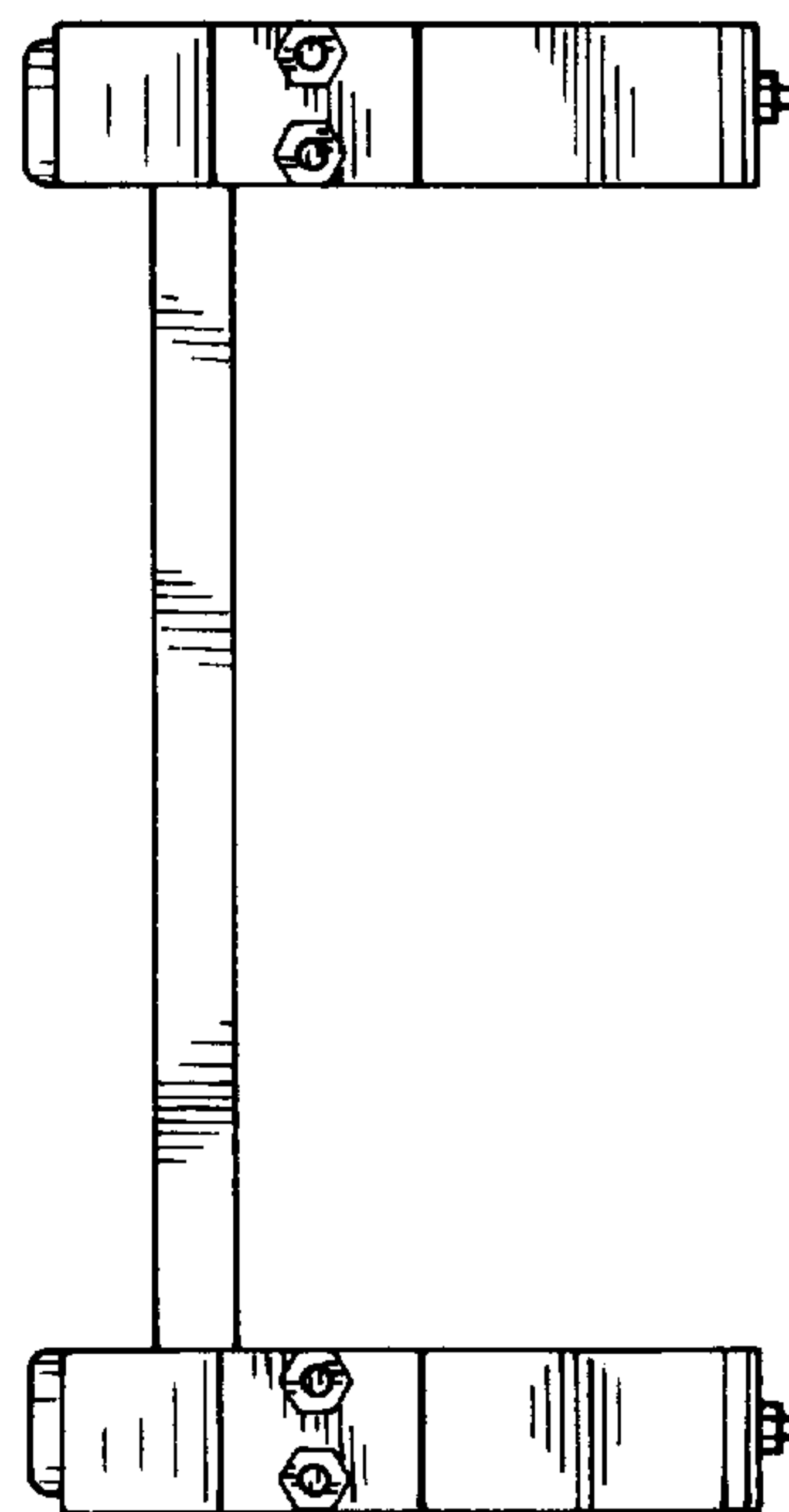


FIG. 3

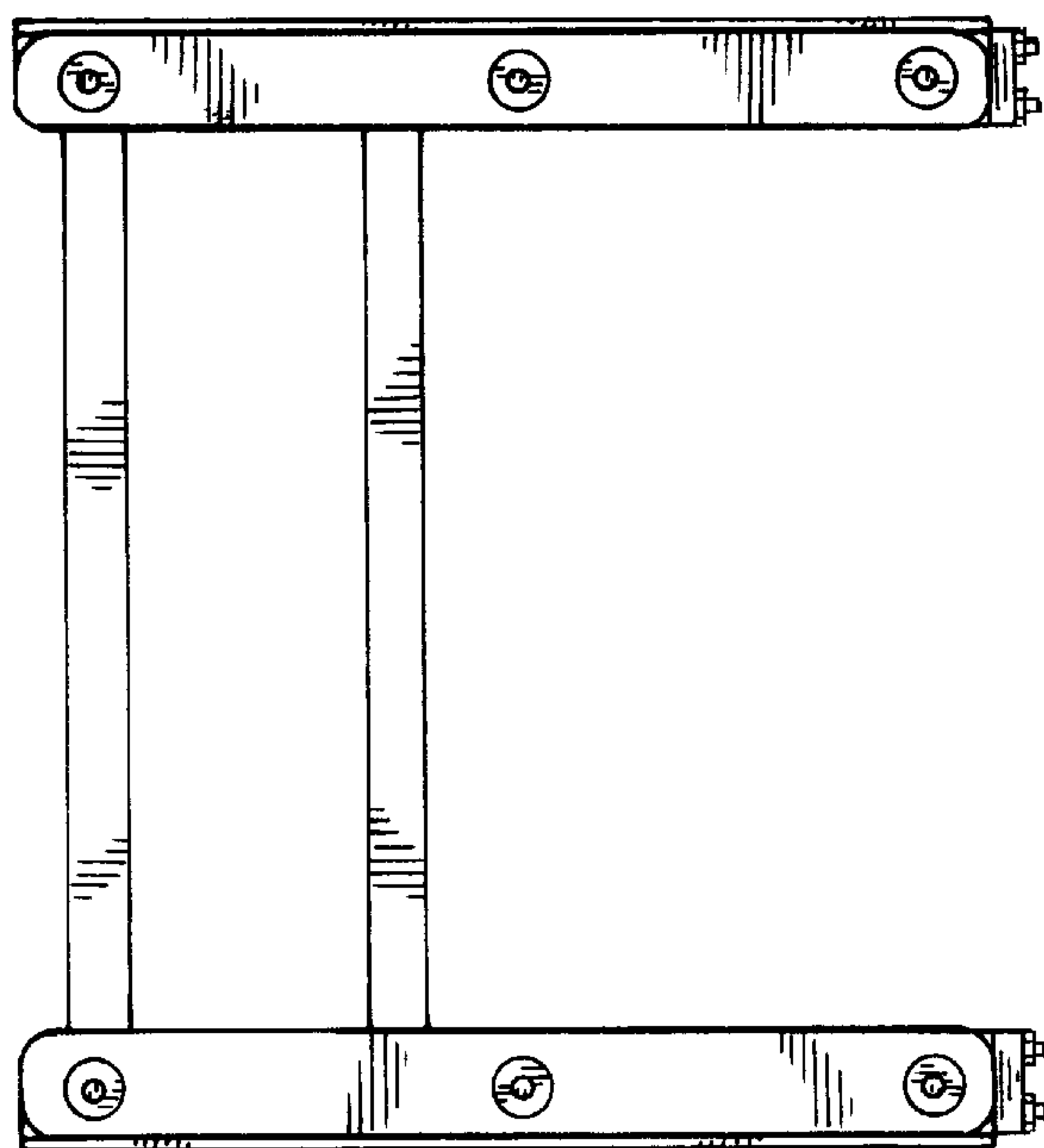


FIG. 5

