



US00D395415S

# United States Patent [19] Graas

[11] **Patent Number: Des. 395,415**

[45] **Date of Patent: \*\*Jun. 23, 1998**

[54] **TIRE TREAD**

5,309,965 5/1994 Williams ..... 152/209 R

[75] Inventor: **Maurice Graas**, Reichlange,  
Luxembourg

[73] Assignee: **The Goodyear Tire & Rubber  
Company**, Akron, Ohio

[\*\*] Term: **14 Years**

[21] Appl. No.: **67,843**

[22] Filed: **Mar. 21, 1997**

[51] **LOC (6) Cl.** ..... **12-15**

[52] **U.S. Cl.** ..... **D12/147**

[58] **Field of Search** ..... D12/136, 138,  
D12/140-152; 152/209 A, 209 B, 209 D,  
209 R

[56] **References Cited**

**U.S. PATENT DOCUMENTS**

D. 316,387	4/1991	Eromaki	.....	D12/147
D. 318,831	8/1991	Guermandi et al.	.....	D12/147
D. 340,014	10/1993	Grenie et al.	.....	D12/147
D. 341,113	11/1993	Binsfeld et al.	.....	D12/147
D. 344,477	2/1994	Lardo	.....	D12/146
D. 355,877	2/1995	Allison et al.	.....	D12/147
D. 364,134	11/1995	Himuro et al.	.....	D12/146
D. 370,445	6/1996	Wakamatsu et al.	.....	D12/147
D. 378,504	3/1997	Ochi et al.	.....	D12/147
D. 379,785	6/1997	Galante et al.	.....	D12/146
D. 380,711	7/1997	McKisson	.....	D12/147

**OTHER PUBLICATIONS**

Marshal Power Pace 765 Tire, 1995 Tread Design Guide, p. 44, Jan. 1995.

Toyo 800 Plus Tire, 1996 Tread Design Guide, p. 73, Feb. 1996.

*Primary Examiner*—James Gandy

*Assistant Examiner*—Robert M. Spear

*Attorney, Agent, or Firm*—T P Lewandowski

[57] **CLAIM**

The ornamental design for a tire tread, as shown and described.

**DESCRIPTION**

FIG. 1 is a perspective view of a tire tread, it being understood that the pattern repeats uniformly throughout the circumference of the tread;

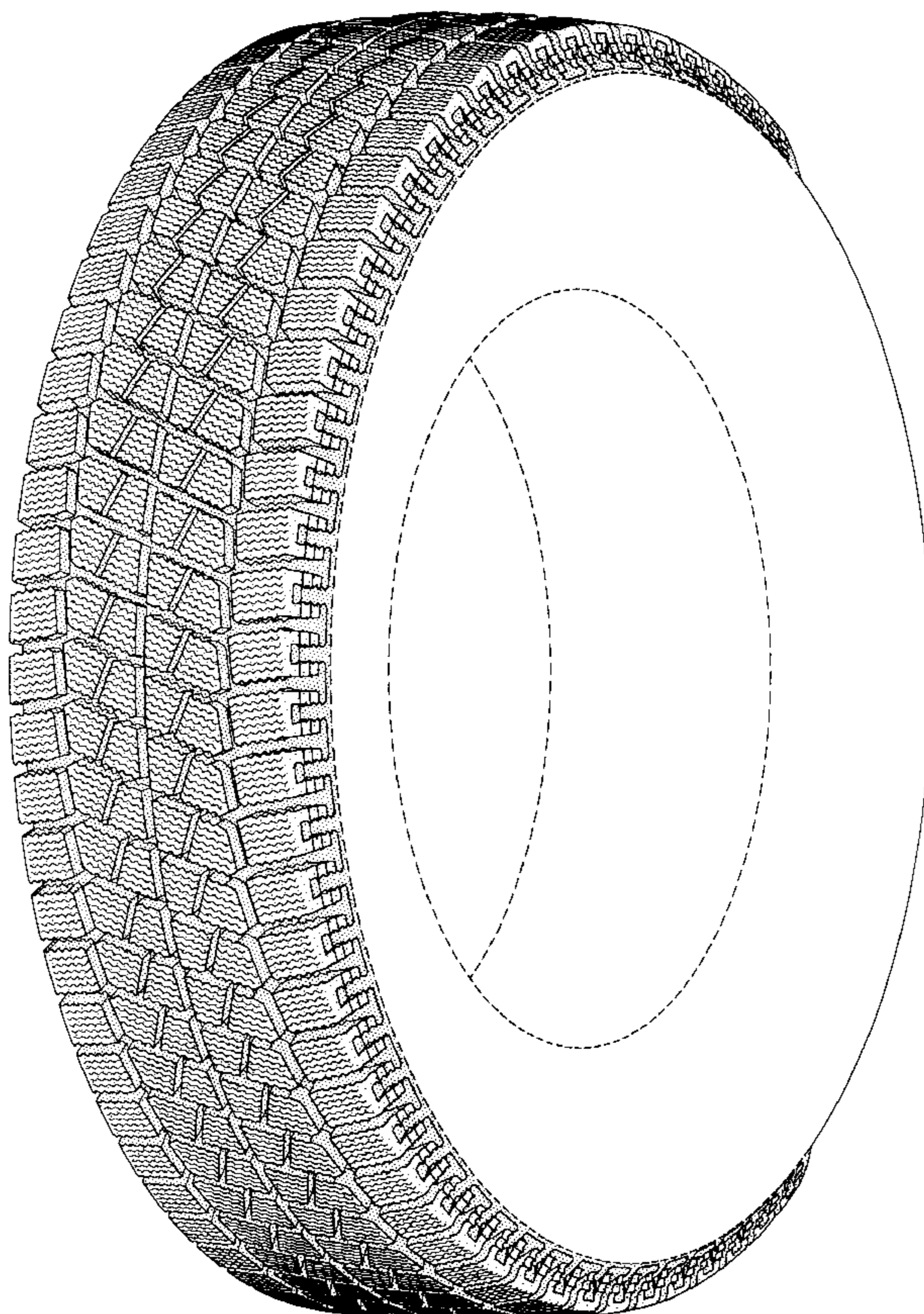
FIG. 2 is a front elevational view thereof;

FIG. 3 is a side elevational view thereof, the opposite side elevational view being identical thereto; and,

FIG. 4 is an enlarged fragmentary front perspective view thereof.

In the drawings, the broken lines defining the inner bead of the sidewall and the peripheral boundary between the tire tread and the sidewall are for illustrative purposes only and form no part of the claimed design.

**1 Claim, 4 Drawing Sheets**



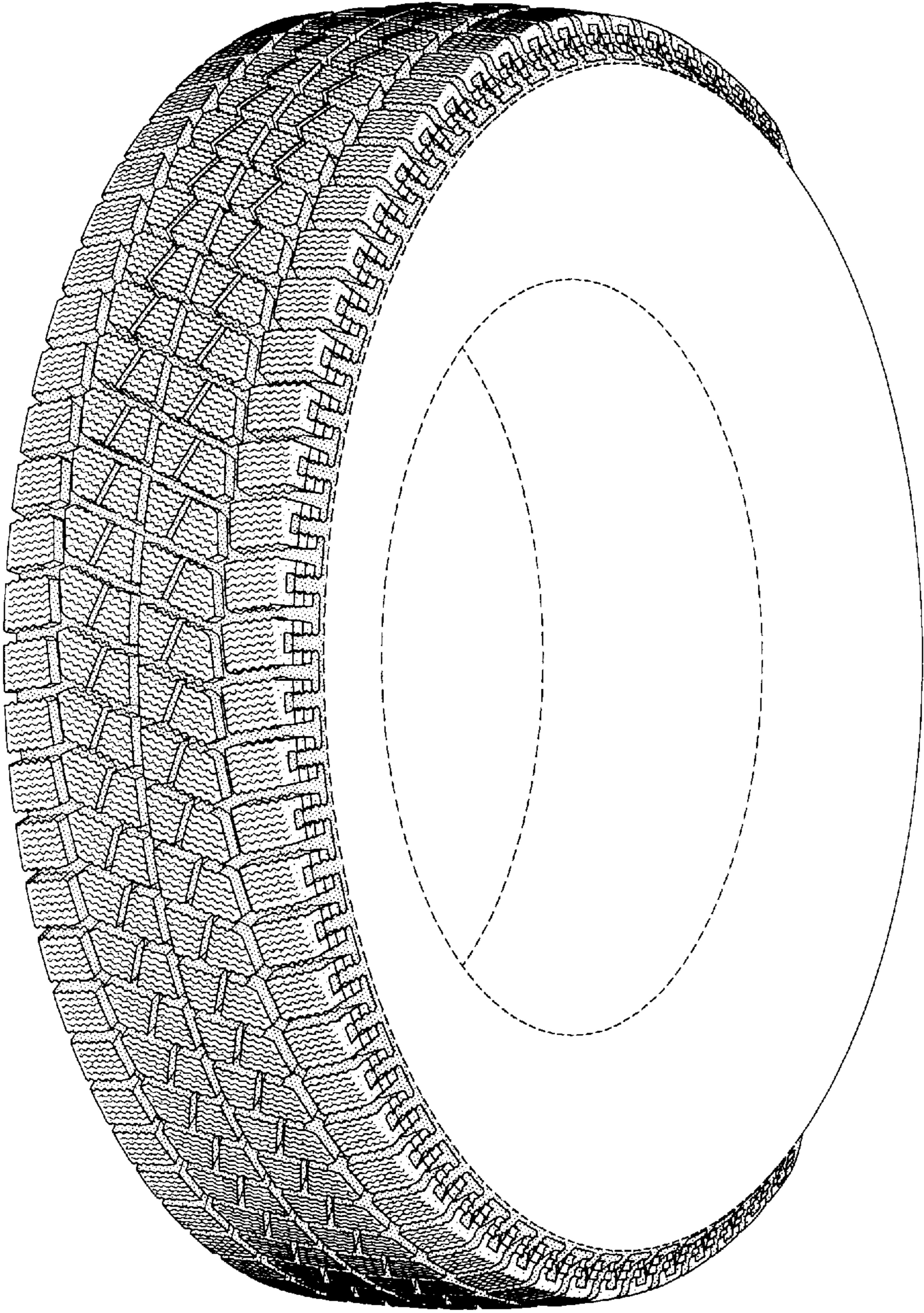


FIG-1

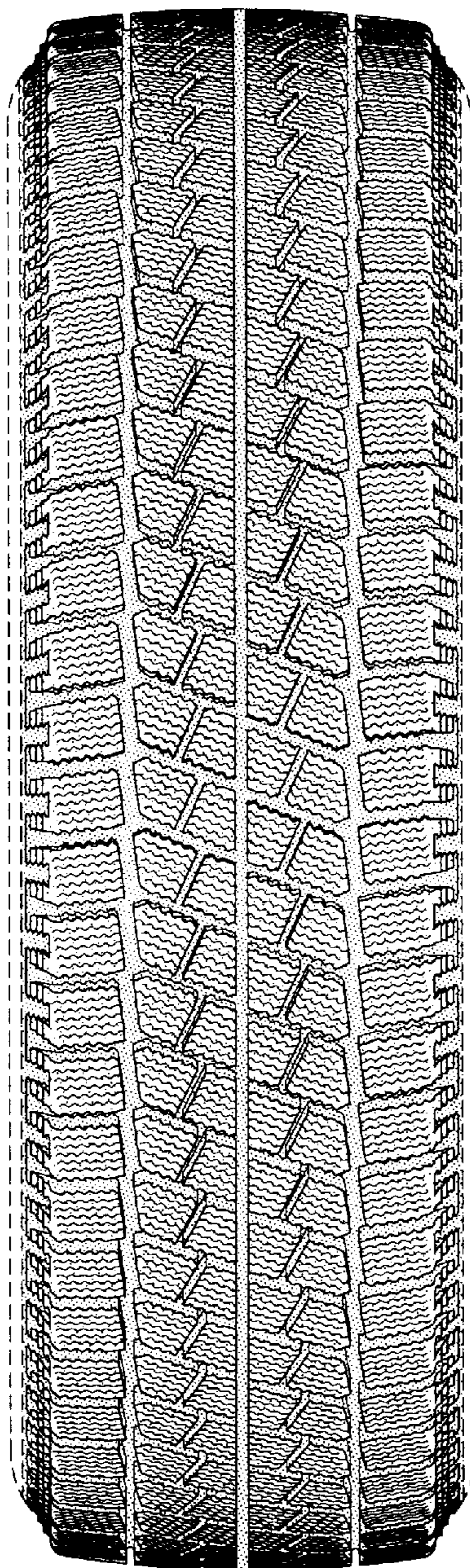


FIG-2

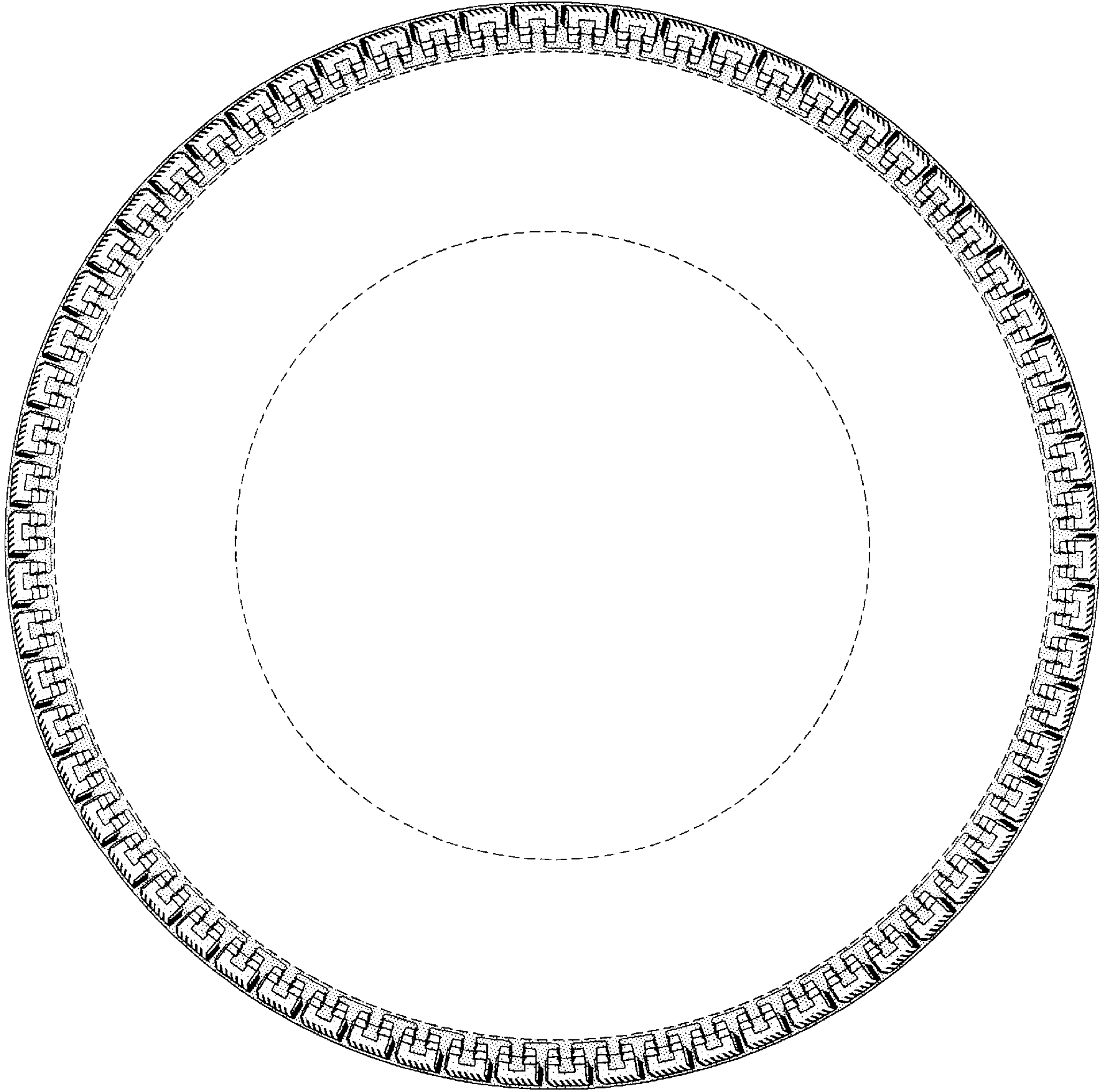


FIG-3

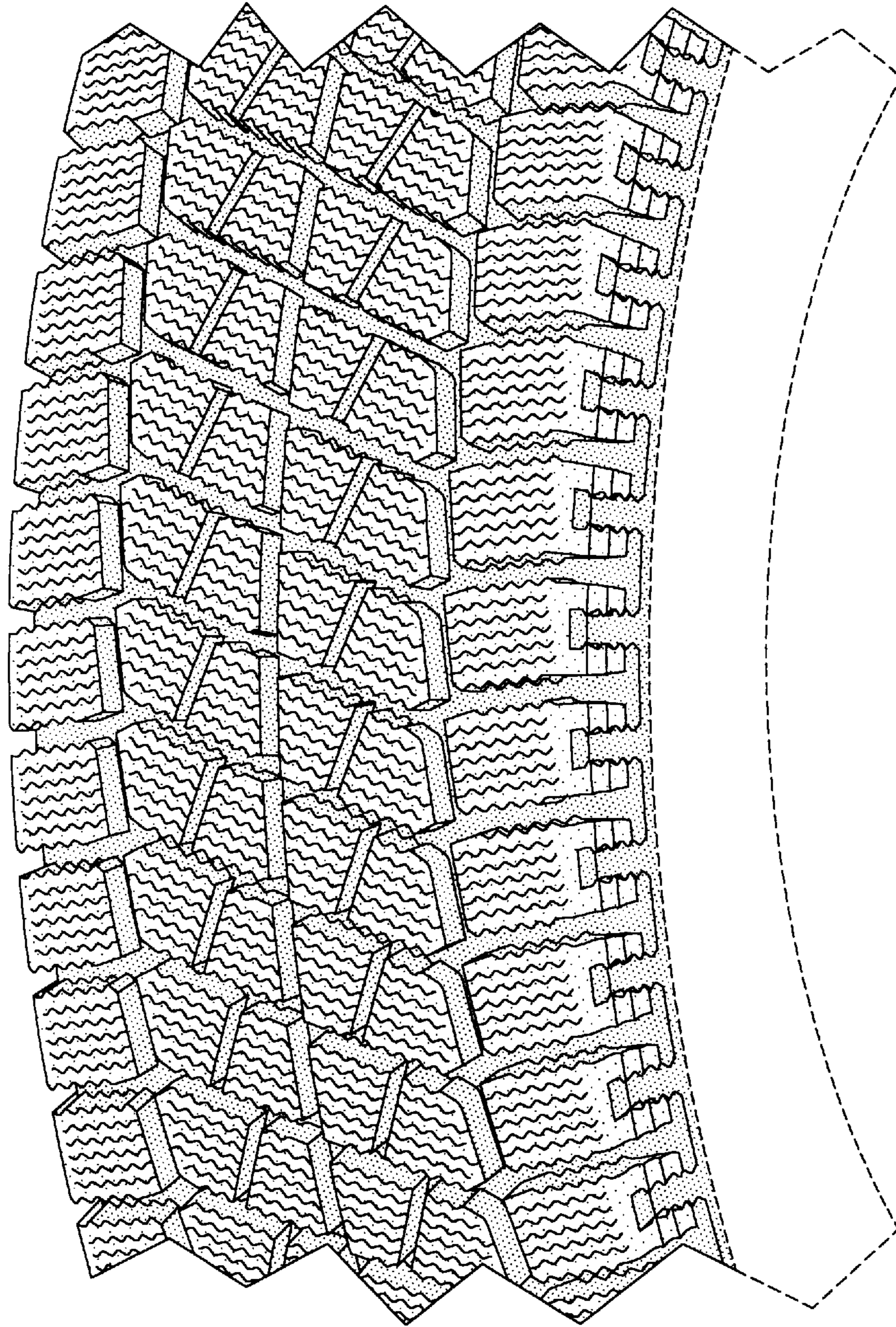


FIG-4