



US00D395413S

United States Patent [19]
Wu

[11] **Patent Number: Des. 395,413**

[45] **Date of Patent: **Jun. 23, 1998**

[54] **THREE-WHEELED ELECTRICAL CART**

D. 381,293 7/1997 Cheng D12/1

[76] Inventor: **Donald P. H. Wu**, No. 169, Ken Tzu
Ku, Shang Ken Tsun, Hsin Feng Hsiang
Hsinchu Hsien, Taiwan

Primary Examiner—Melody N. Brown
Attorney, Agent, or Firm—W. Wayne Liauh

[**] Term: **14 Years**

[57] **CLAIM**

The ornamental design for a three-wheeled electrical cart, as shown and described.

[21] Appl. No.: **70,925**

[22] Filed: **Apr. 29, 1997**

DESCRIPTION

[51] **LOC (6) Cl.** **12-14**

[52] **U.S. Cl.** **D12/85; D12/1**

[58] **Field of Search** D12/1, 85, 131;
280/DIG. 5; 180/211, 215, 216, 907, 65.1,
231

FIG. 1 is a front view of a three-wheeled electrical cart showing my new design;

FIG. 2 is a rear view of the three-wheeled electrical cart;

FIG. 3 is a left side view of the three-wheeled electrical cart;

FIG. 4 is a right side view of the three-wheeled electrical cart;

FIG. 5 is a top view of the three-wheeled electrical cart;

FIG. 6 is a bottom view of the three-wheeled electrical cart;

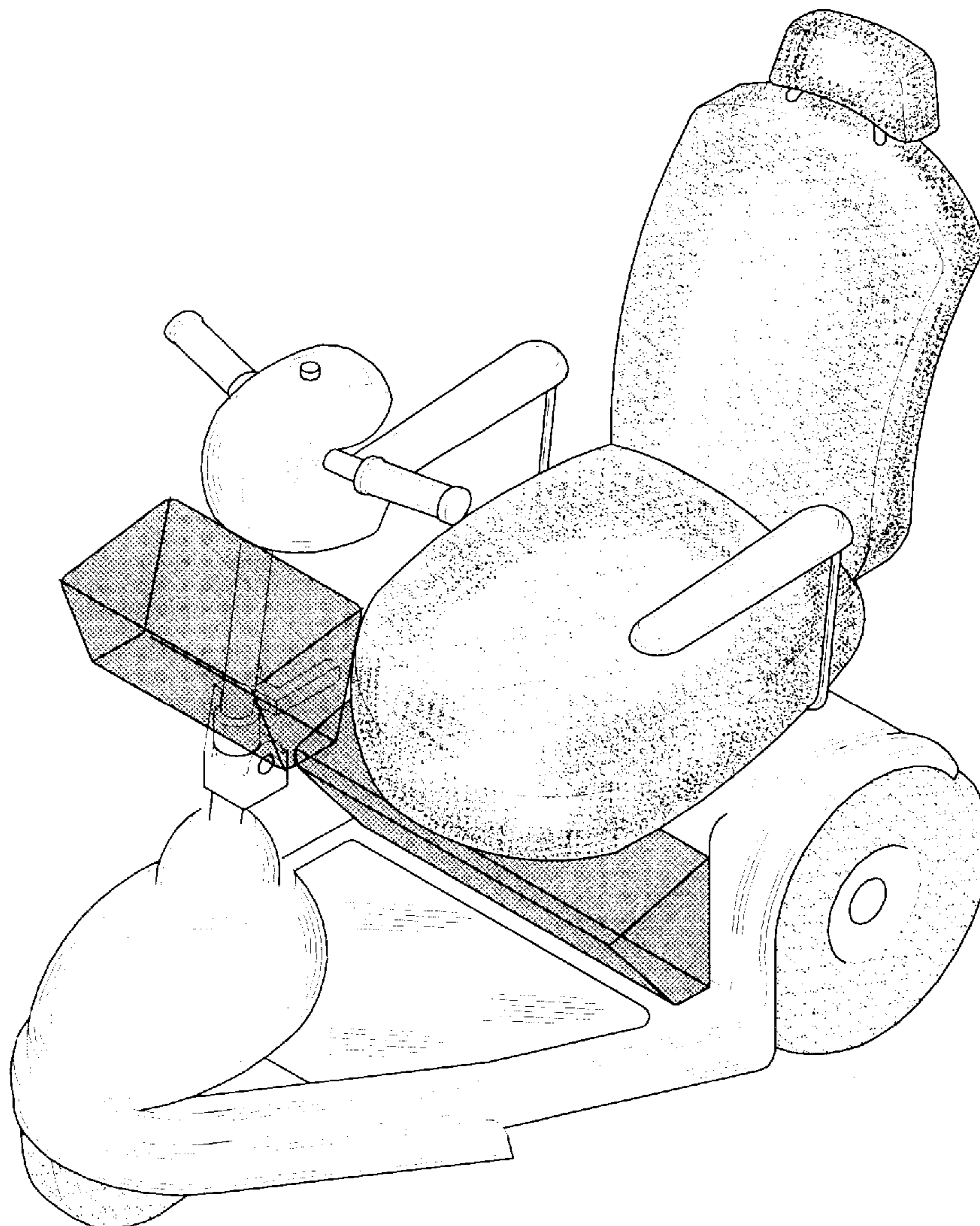
and,
FIG. 7 is a perspective view of the three-wheeled electrical cart.

[56] **References Cited**

U.S. PATENT DOCUMENTS

D. 285,671	9/1986	Thieme et al	D12/85
D. 303,101	8/1989	Shepard et al.	D12/85
D. 322,049	12/1991	Doman et al.	D12/85
D. 325,892	5/1992	Nesteruk et al.	D12/85

1 Claim, 7 Drawing Sheets



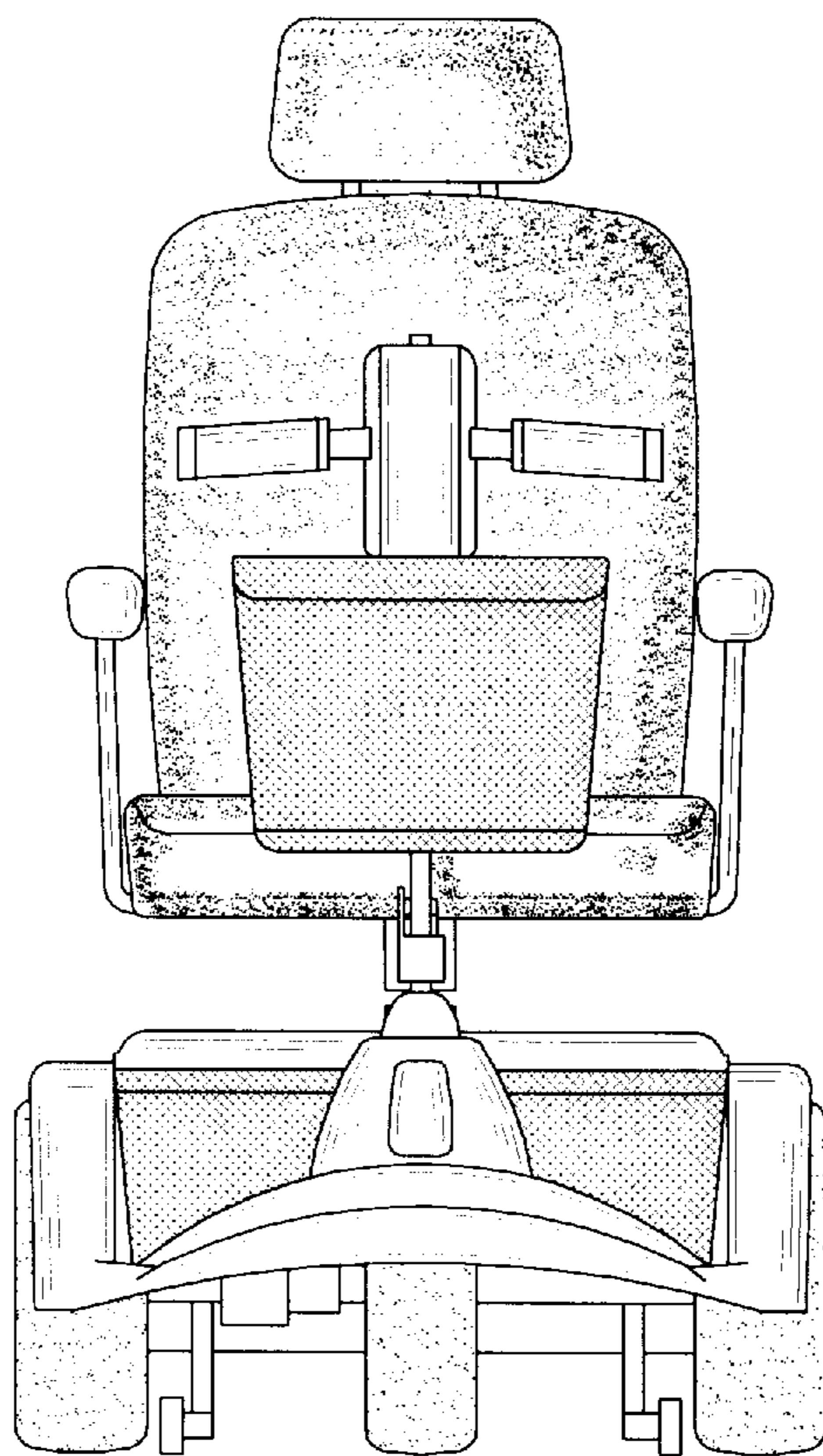


Fig. 1

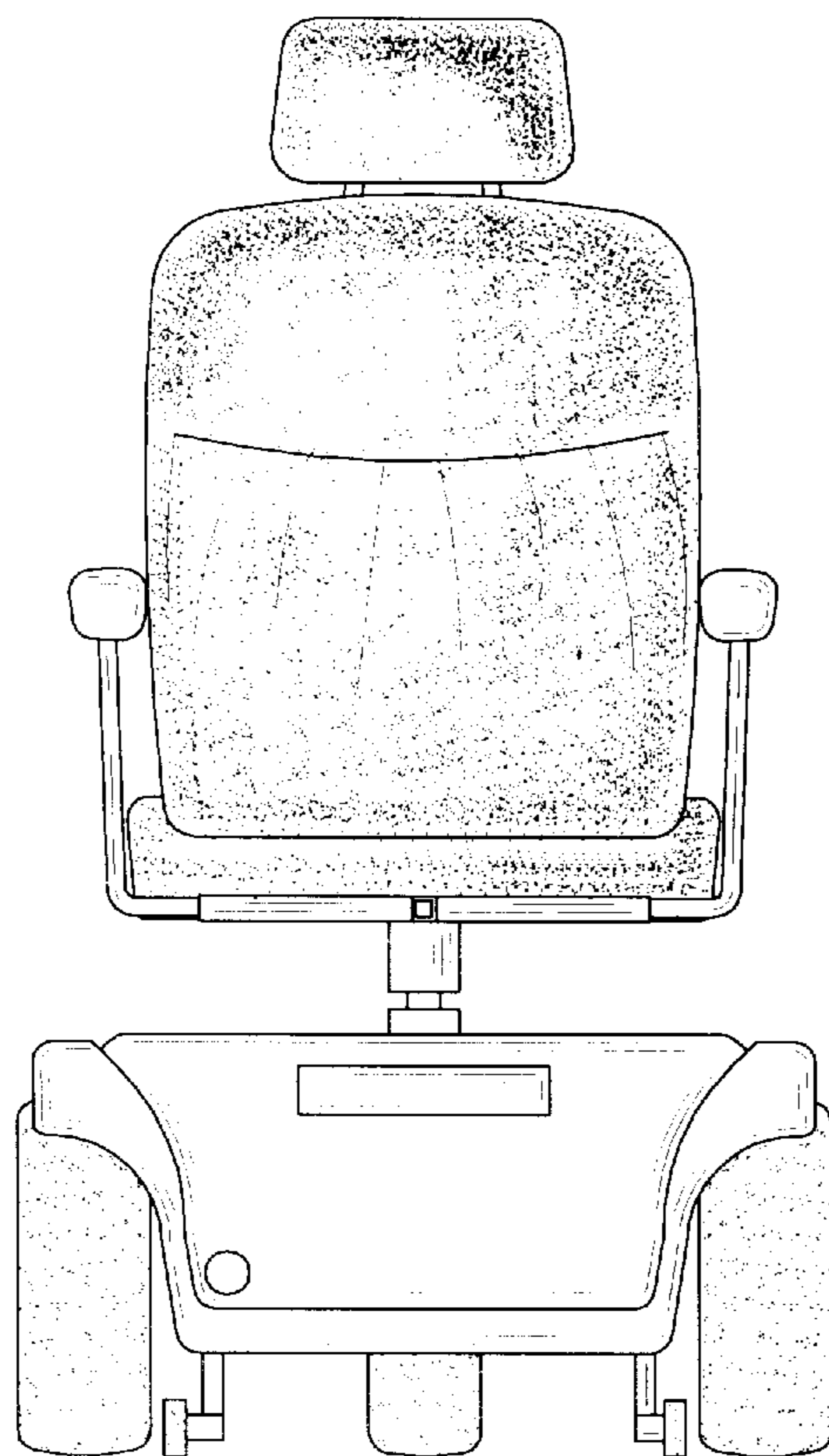


Fig. 2

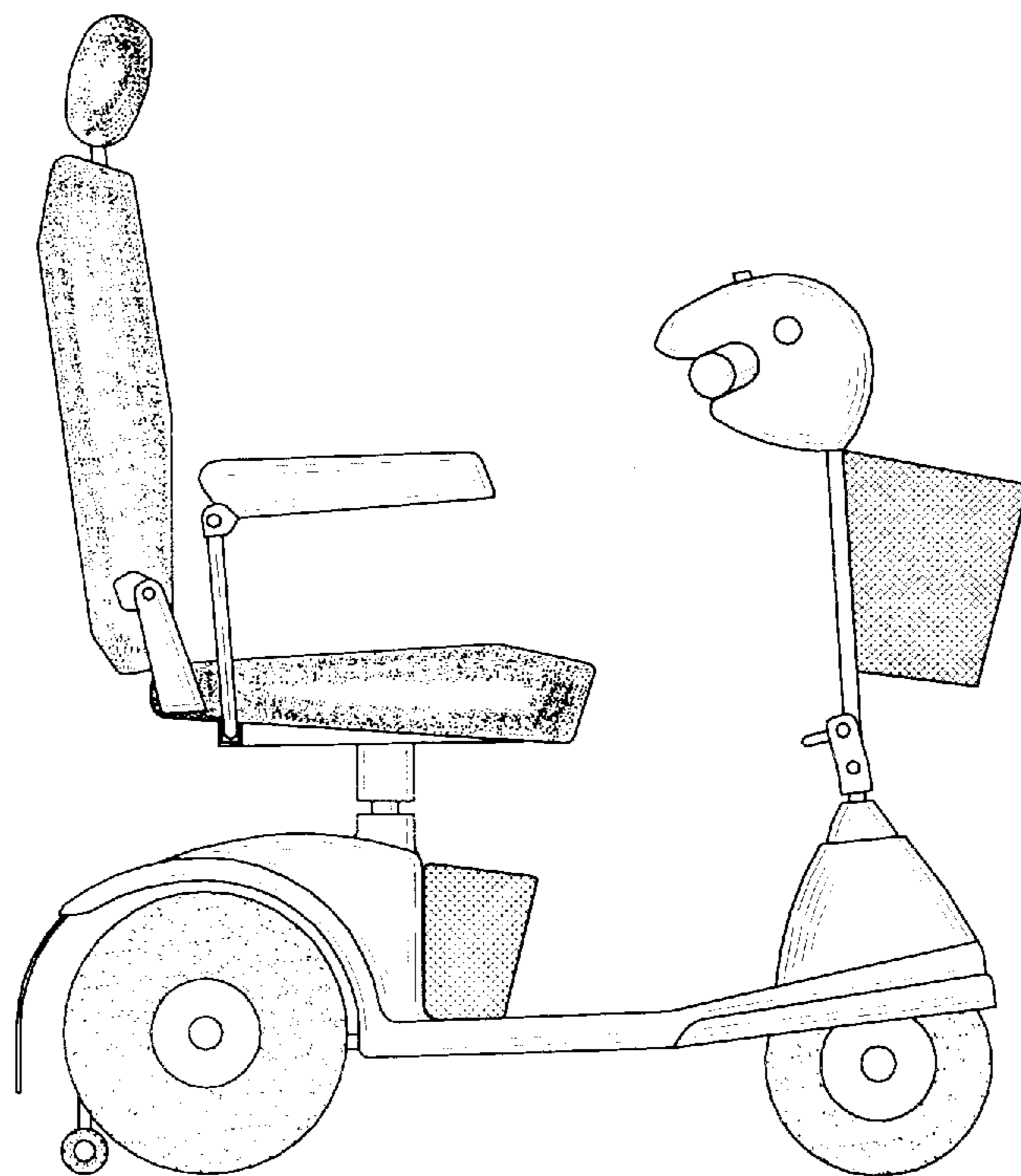


Fig. 3

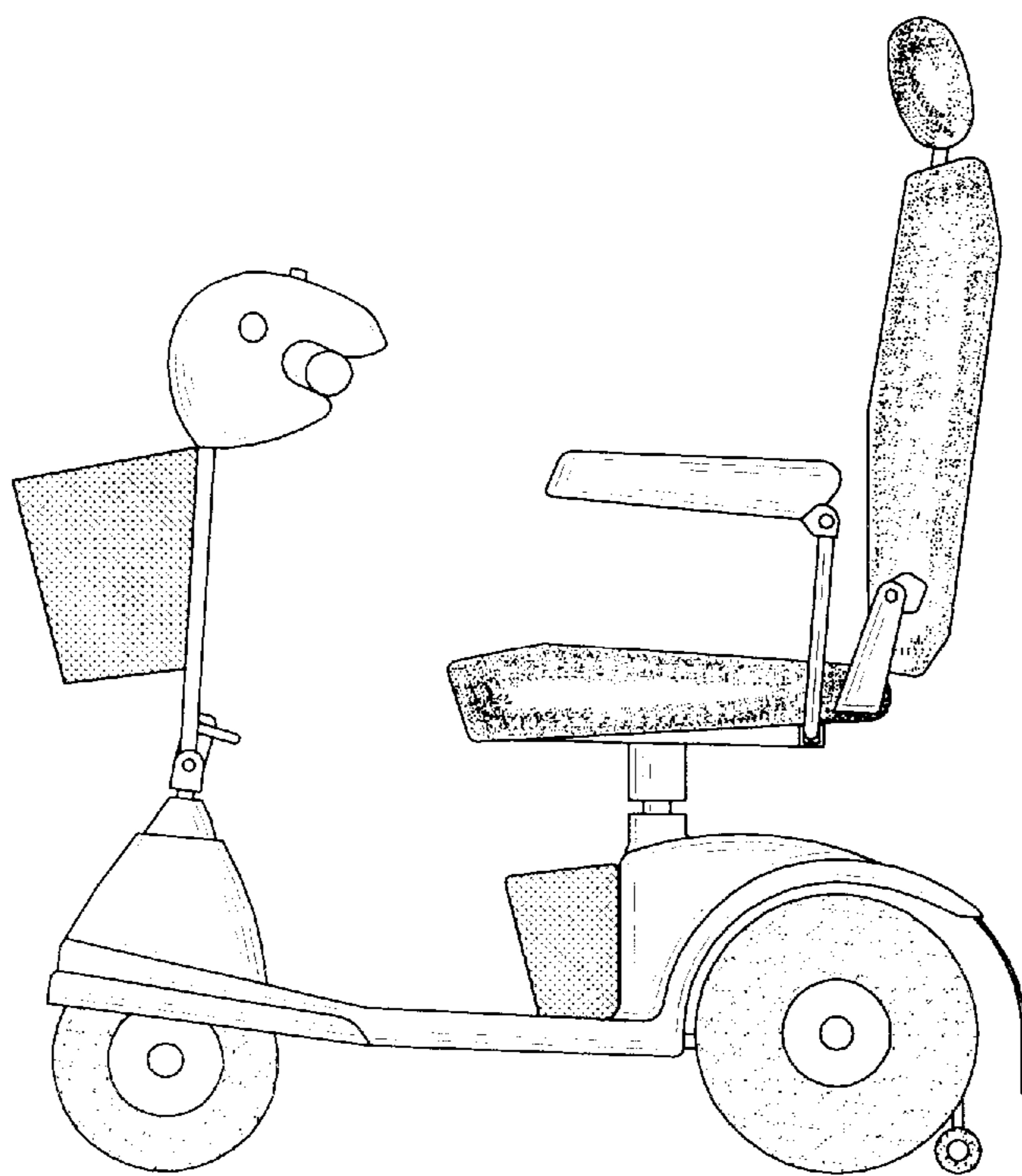


Fig.4

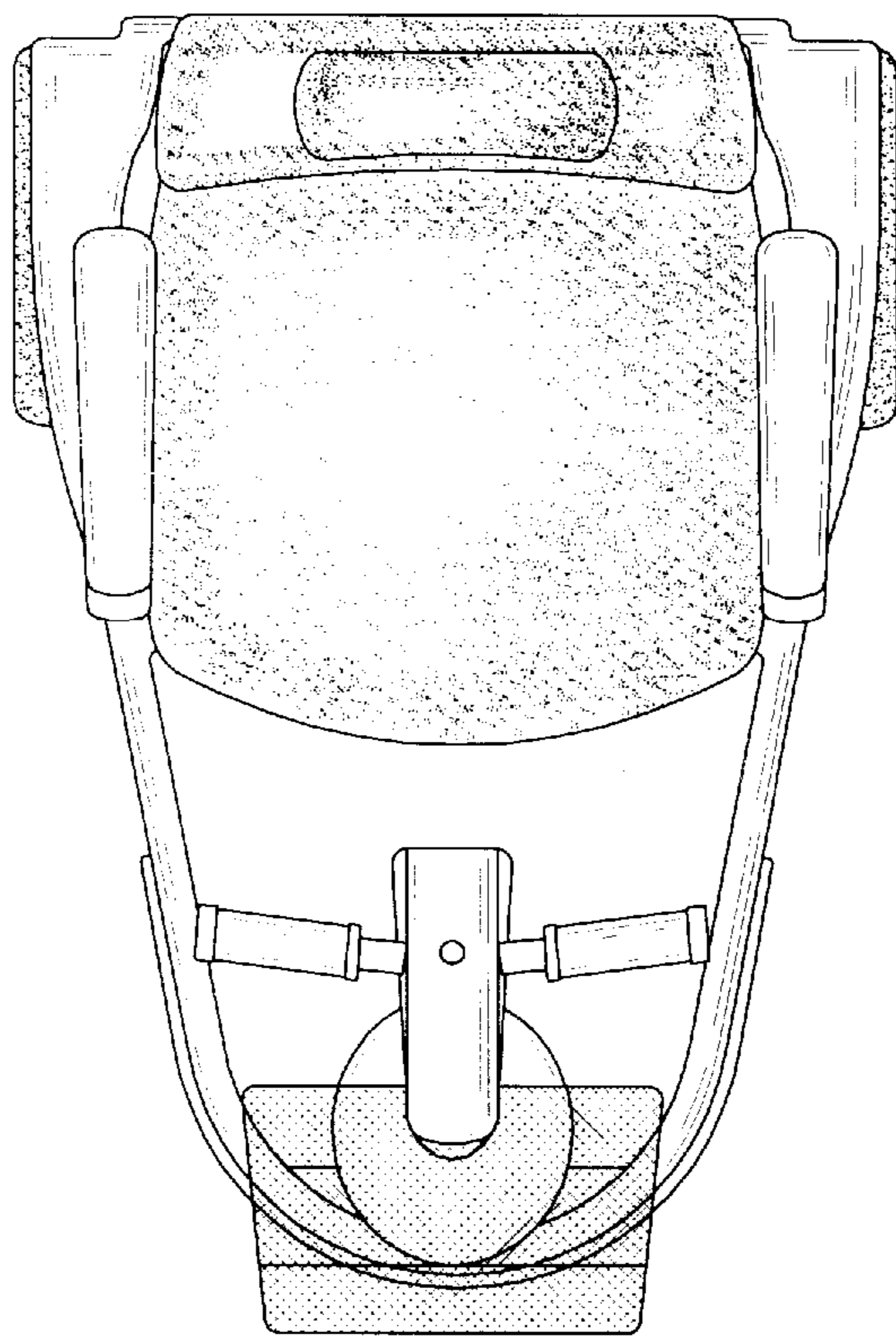


Fig. 5

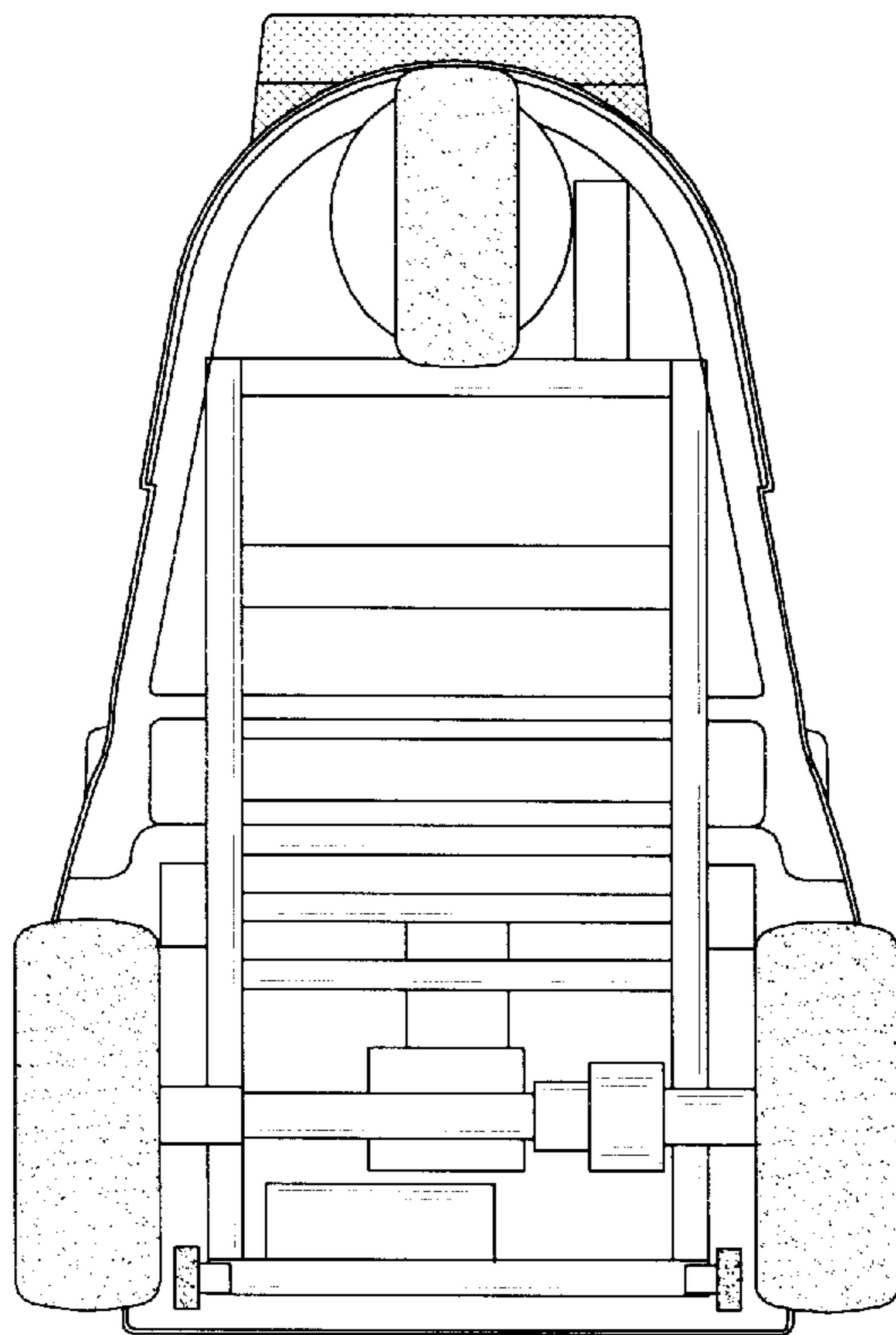


Fig. 6

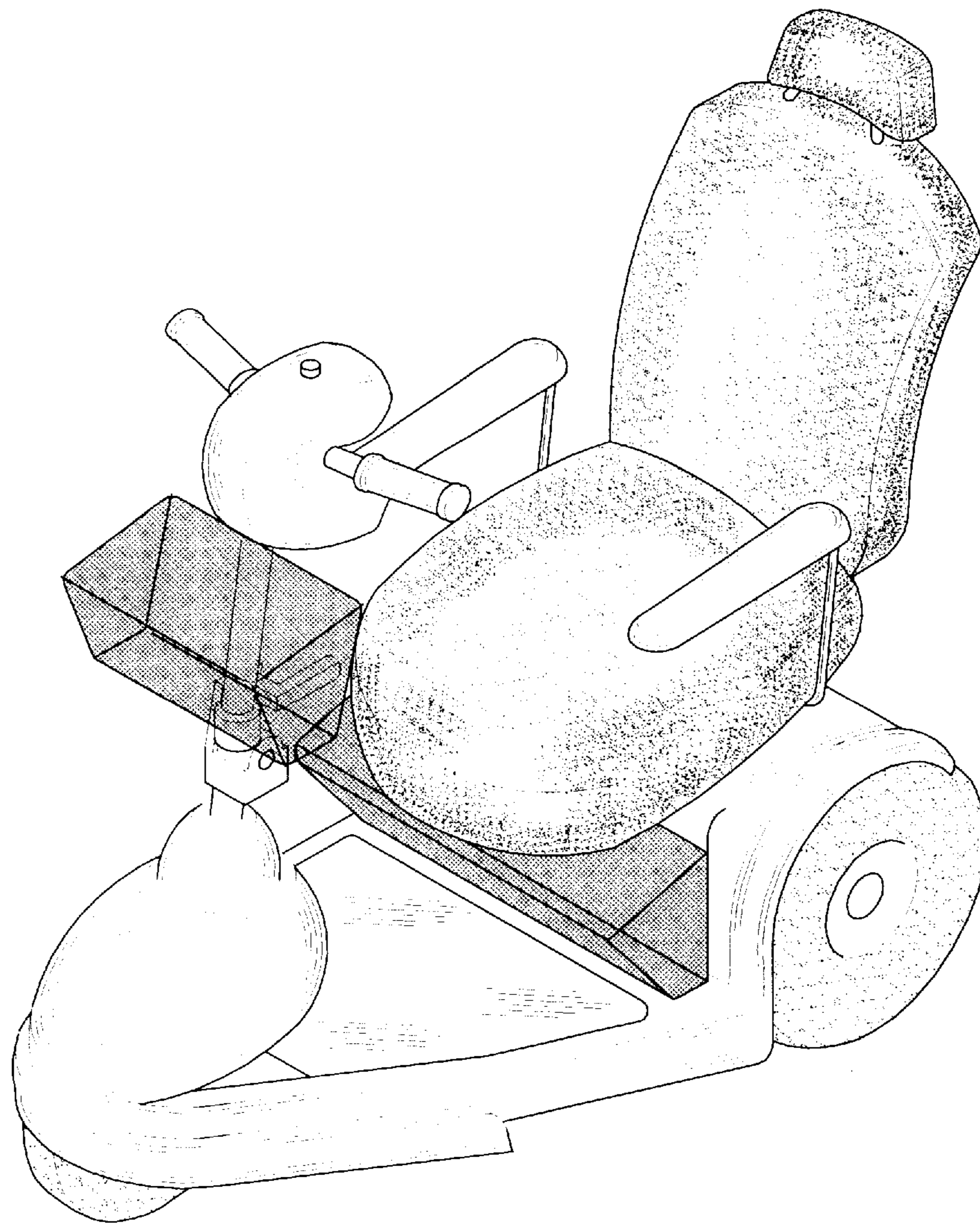


Fig. 7