



US00D395409S

# United States Patent [19]

Gironda et al.

[11] Patent Number: **Des. 395,409**

[45] Date of Patent: **\*\*Jun. 23, 1998**

[54] **VISUAL VEHICLE LOCATING INDICATOR**

3,380,428 4/1968 Abrams ..... D10/109

[76] Inventors: **Frank Gironda; Sharon E. Gironda**,  
both of 77 Coalbrook Crt., Woodbridge,  
Ontario, Canada, L4L 9B6

*Primary Examiner*—Marcus A. Jackson

[\*\*] Term: **14 Years**

[57] **CLAIM**

The ornamental design for a visual vehicle locating indicator, as shown.

[21] Appl. No.: **75,253**

**DESCRIPTION**

[22] Filed: **Aug. 14, 1997**

[51] **LOC (6) Cl.** ..... **10-05**

[52] **U.S. Cl.** ..... **D10/109**

[58] **Field of Search** ..... D10/104, 109,  
D10/110, 111, 114, 115; 116/28 A, 28 R,  
28.1, 29, 30, 63 P, 63 C

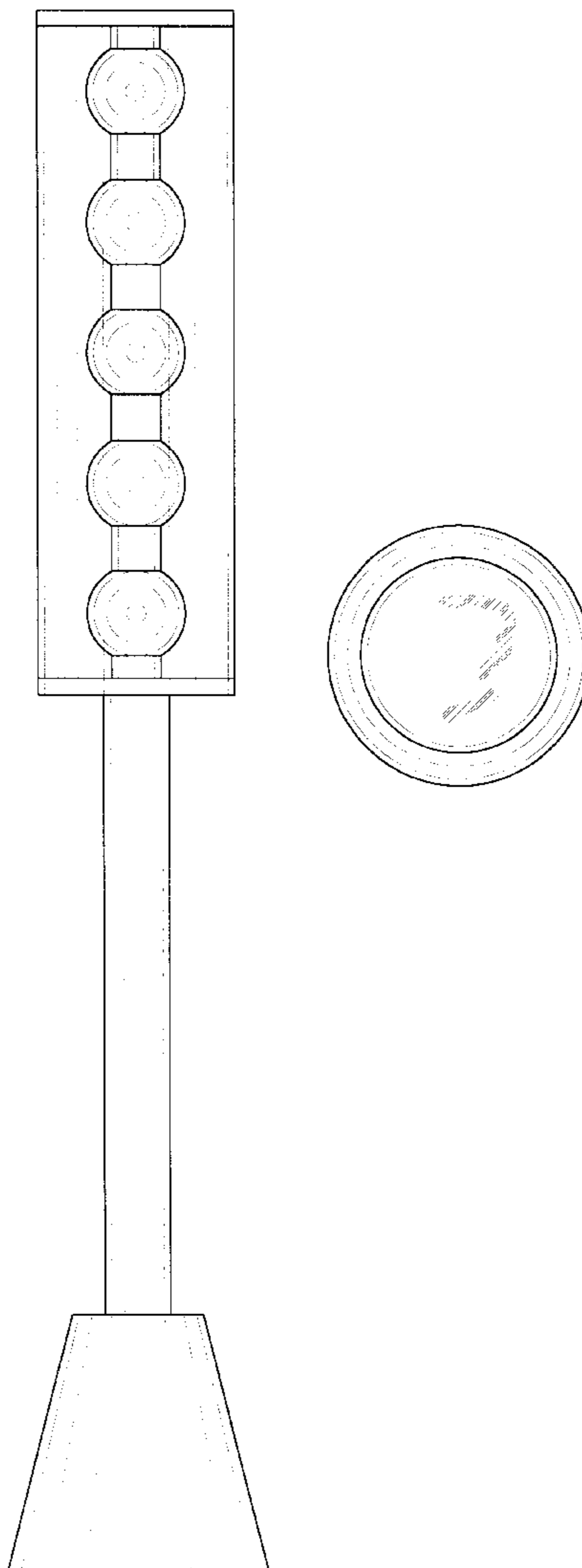
FIG. 1 is a front plan view of the visual vehicle locating indicator of the present invention;  
FIG. 2 is a back plan view of the visual vehicle locating indicator of FIG. 1;  
FIG. 3 is a left side plan view of the visual vehicle locating indicator of FIG. 1;  
FIG. 4 is a right side plan view of the visual vehicle locating indicator of FIG. 1;  
FIG. 5 is a top plan view of the visual vehicle locating indicator of FIG. 1; and,  
FIG. 6 is a bottom plan view of the visual vehicle locating indicator of FIG. 1.

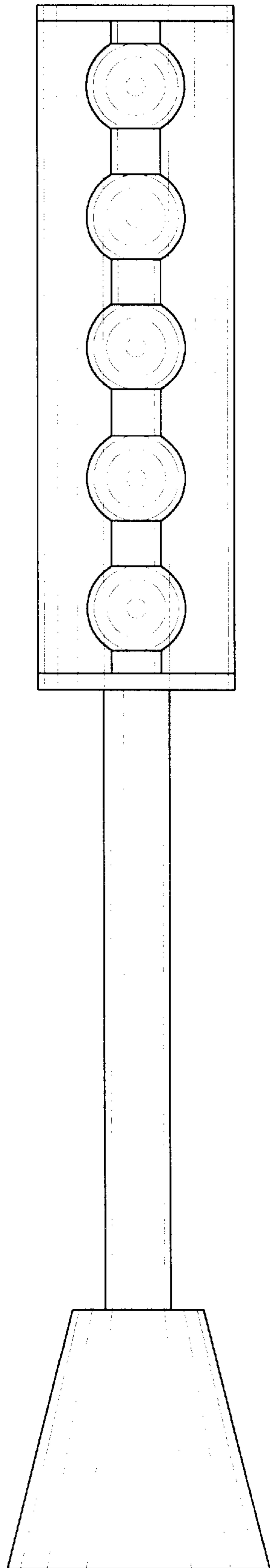
[56] **References Cited**

**U.S. PATENT DOCUMENTS**

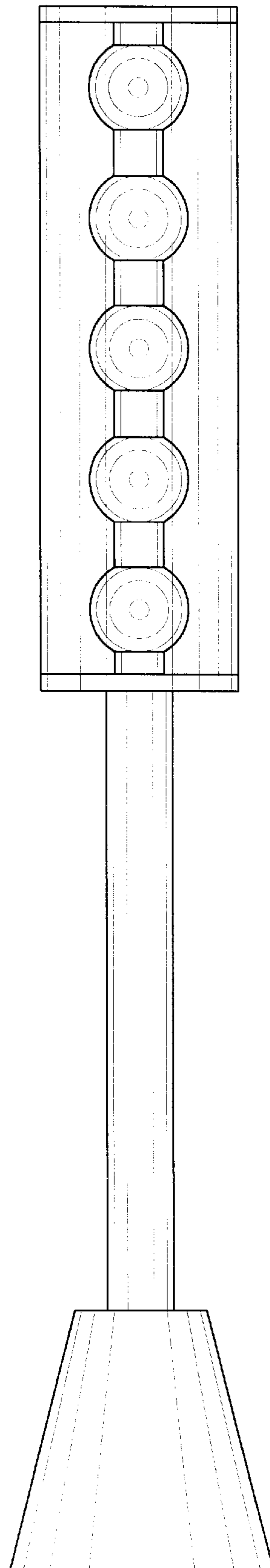
- D. 312,977 12/1990 Quante ..... D10/109
- D. 363,248 10/1995 Bogacki, III ..... D10/109
- D. 373,094 8/1996 Marderosian ..... D10/109
- D. 378,745 4/1997 Hollis ..... D10/109

**1 Claim, 3 Drawing Sheets**

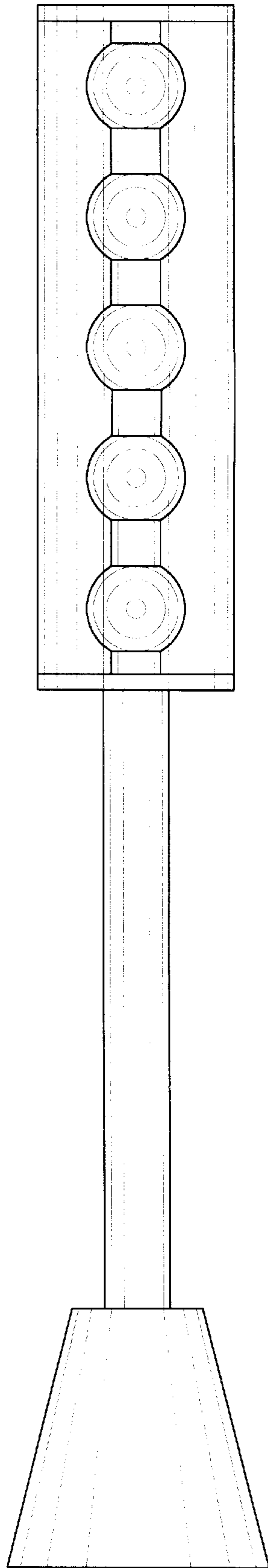




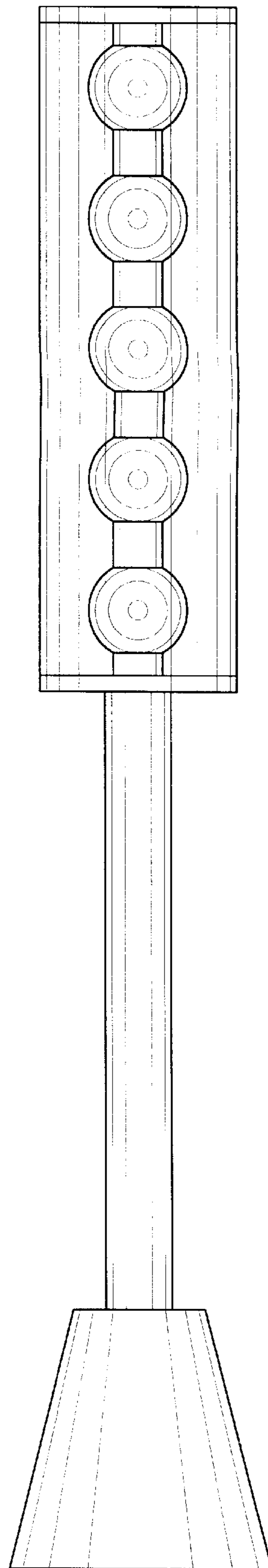
*Fig. 1*



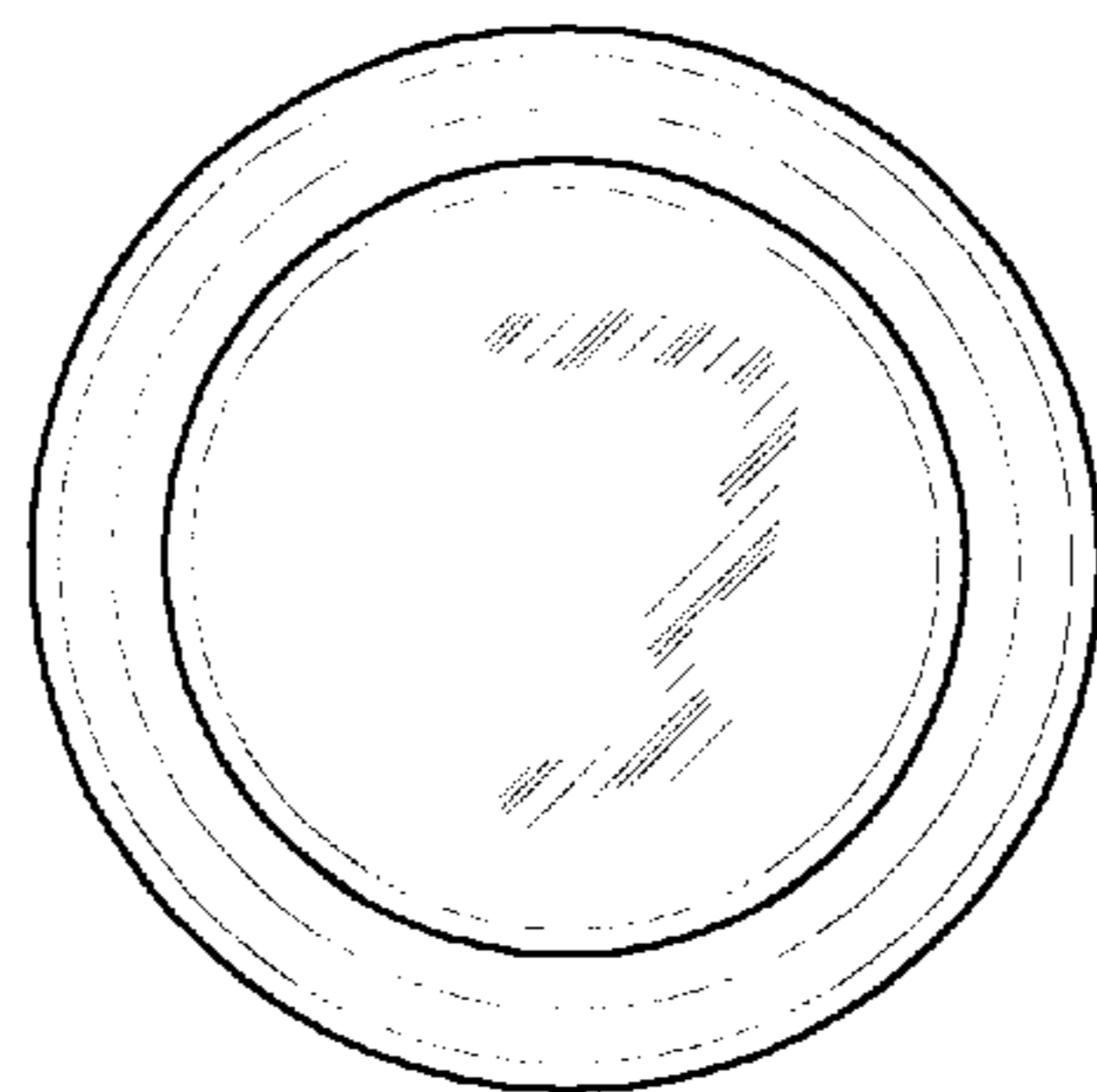
*Fig. 2*



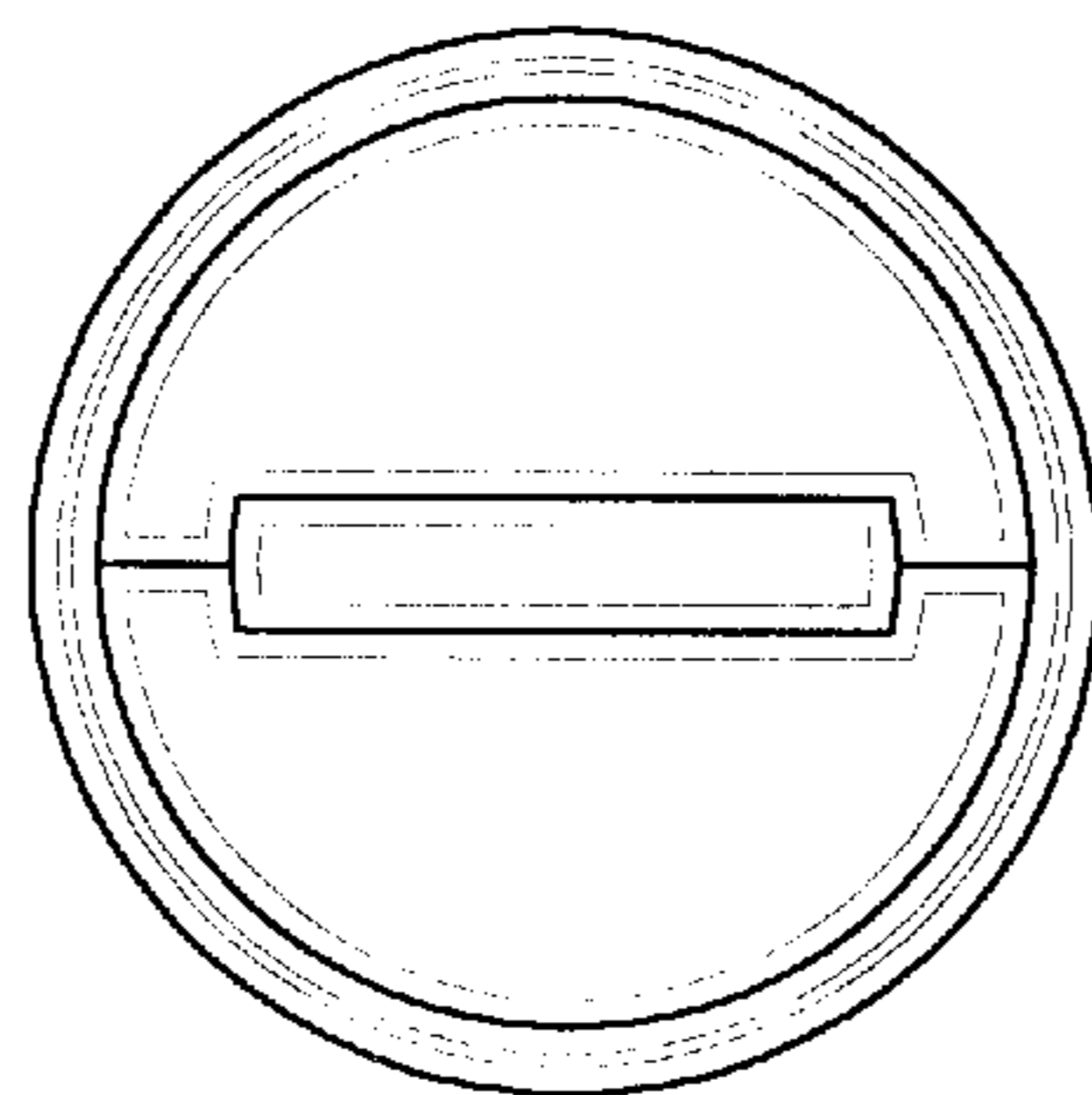
*Fig. 3*



*Fig. 4*



*Fig. 5*



*Fig. 6*