



US00D395408S

United States Patent [19]

[11] **Patent Number: Des. 395,408**

Wiesemann

[45] **Date of Patent: **Jun. 23, 1998**

[54] **POST LIGHT SENSOR HOUSING**

[75] Inventor: **David L. Wiesemann**, Pewaukee, Wis.

[73] Assignee: **Heath Compnay**, Benton Harbor, Mich.

[**] Term: **14 Years**

[21] Appl. No.: **69,881**

[22] Filed: **May 19, 1997**

[51] **LOC (6) Cl.** **10-05**

[52] **U.S. Cl.** **D10/106; D26/68**

[58] **Field of Search** D26/67-70, 113;
362/147, 153, 153.1, 431, 394, 421, 802;
D10/106

[56] **References Cited**

PUBLICATIONS

Electrical World, p. 86, post lantern with photocontrol, Sep. 1973.

Gearex Corp. low voltage garden lighting catalog, p. 5, model,#5804A post lantern with sensor, Aug. 1995.

Primary Examiner—Susan J. Lucas
Attorney, Agent, or Firm—O'Malley and Firestone

[57] **CLAIM**

The ornamental design for a post light sensor housing, as shown and described.

DESCRIPTION

FIG. 1 is a perspective view of a post light sensor housing showing my new design;

FIG. 2 is a top plan view thereof;

FIG. 3 is a front elevational view thereof;

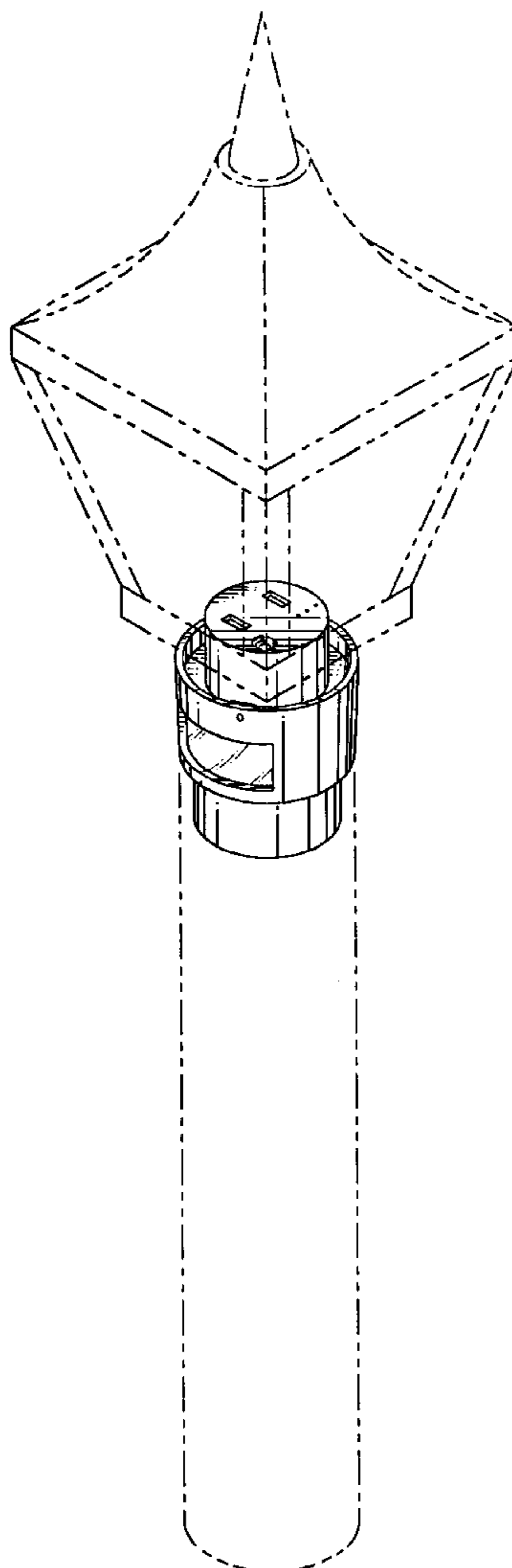
FIG. 4 is an side elevational view thereof, the opposite side being a mirror image;

FIG. 5 is a rear elevational view thereof; and,

FIG. 6 is a bottom plan view thereof.

The broken lines are shown for illustrative puposes only and form no part of the claimed design.

1 Claim, 2 Drawing Sheets



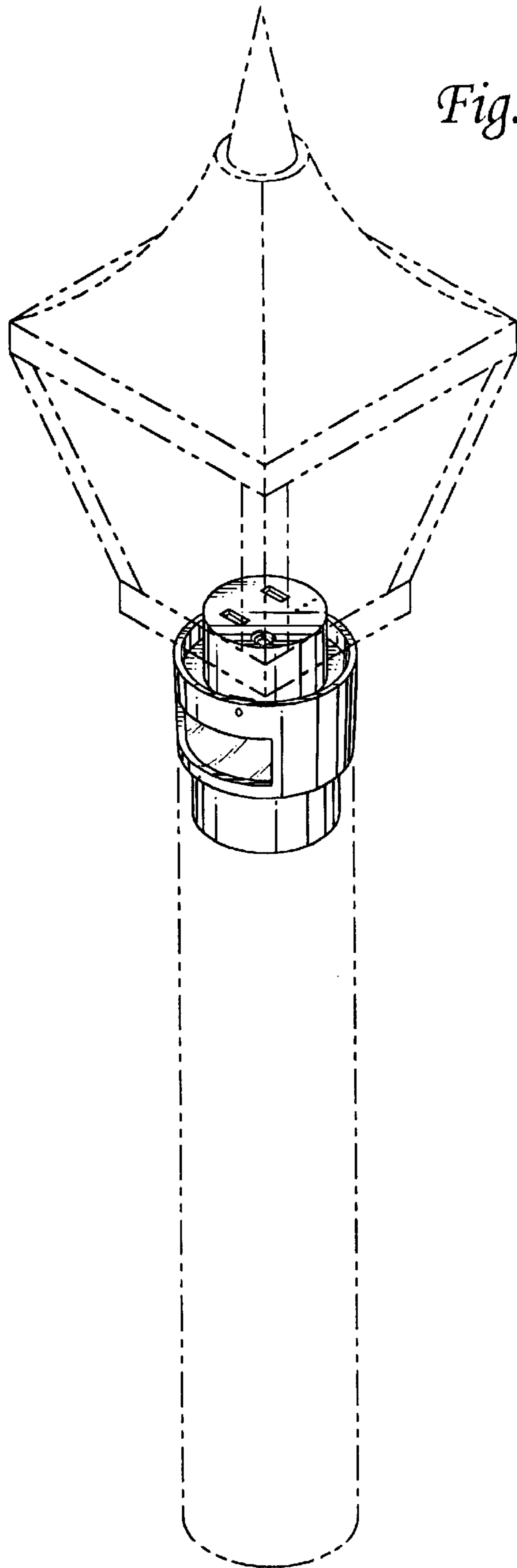


Fig. 1

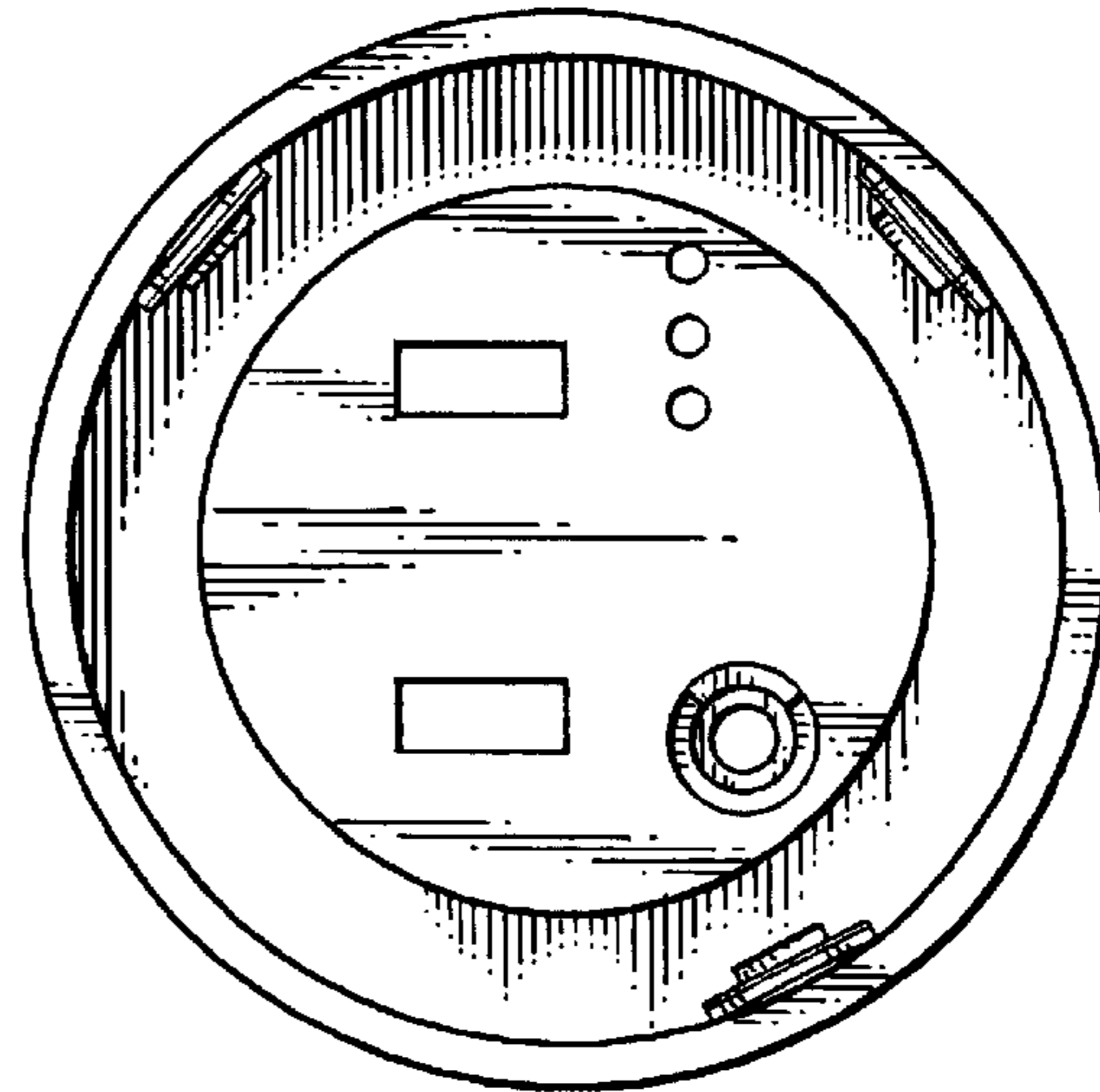


Fig. 2

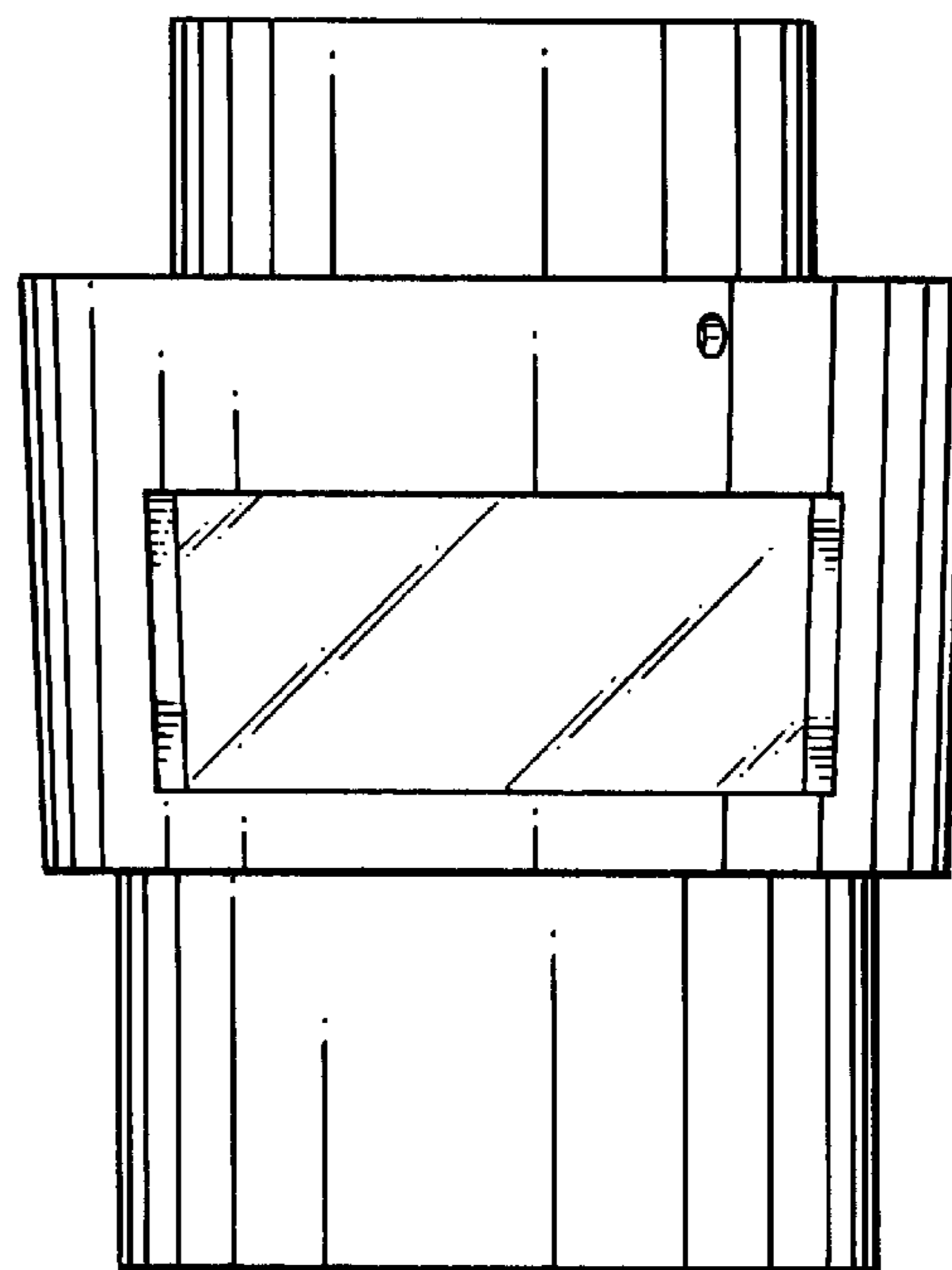


Fig. 3

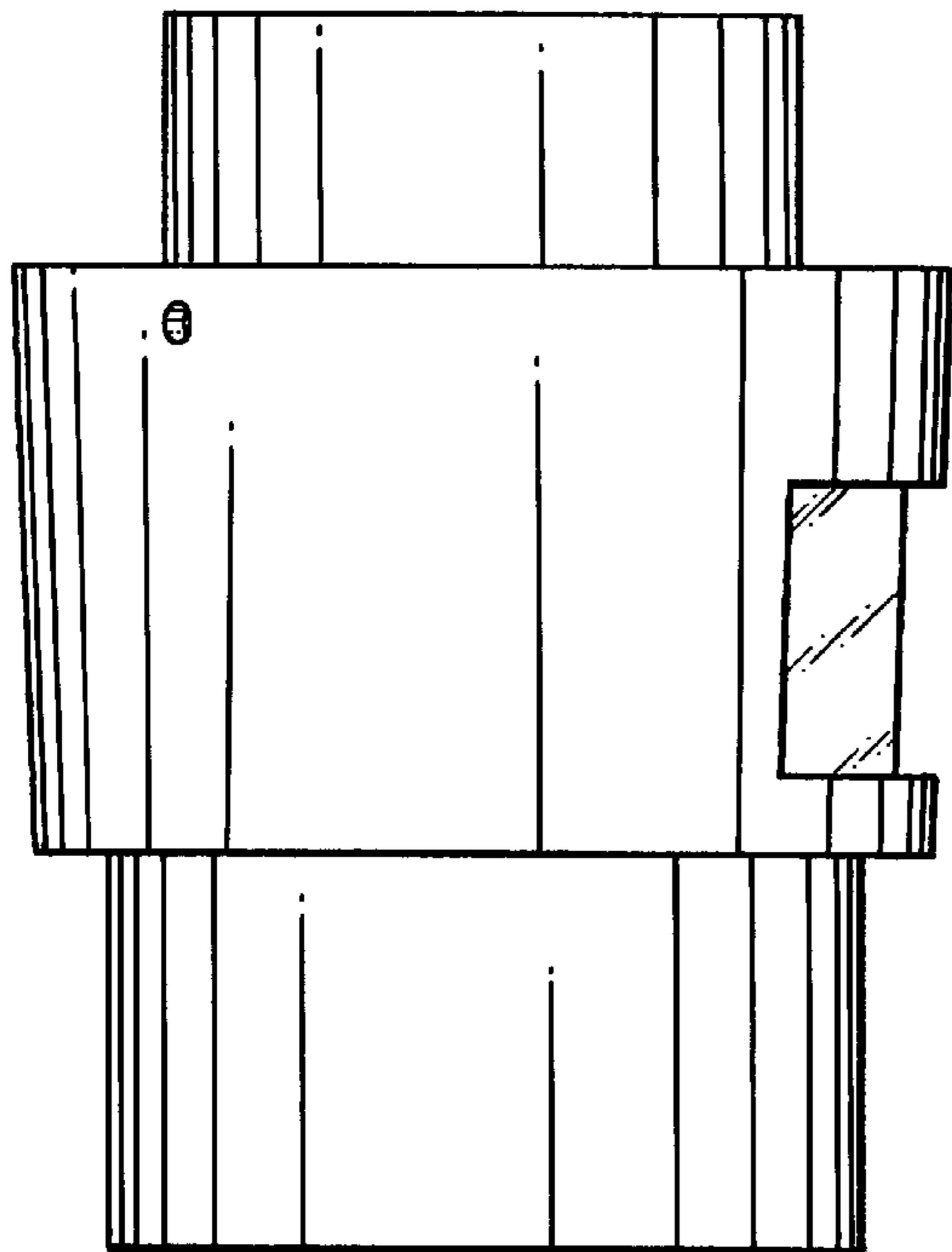


Fig. 4

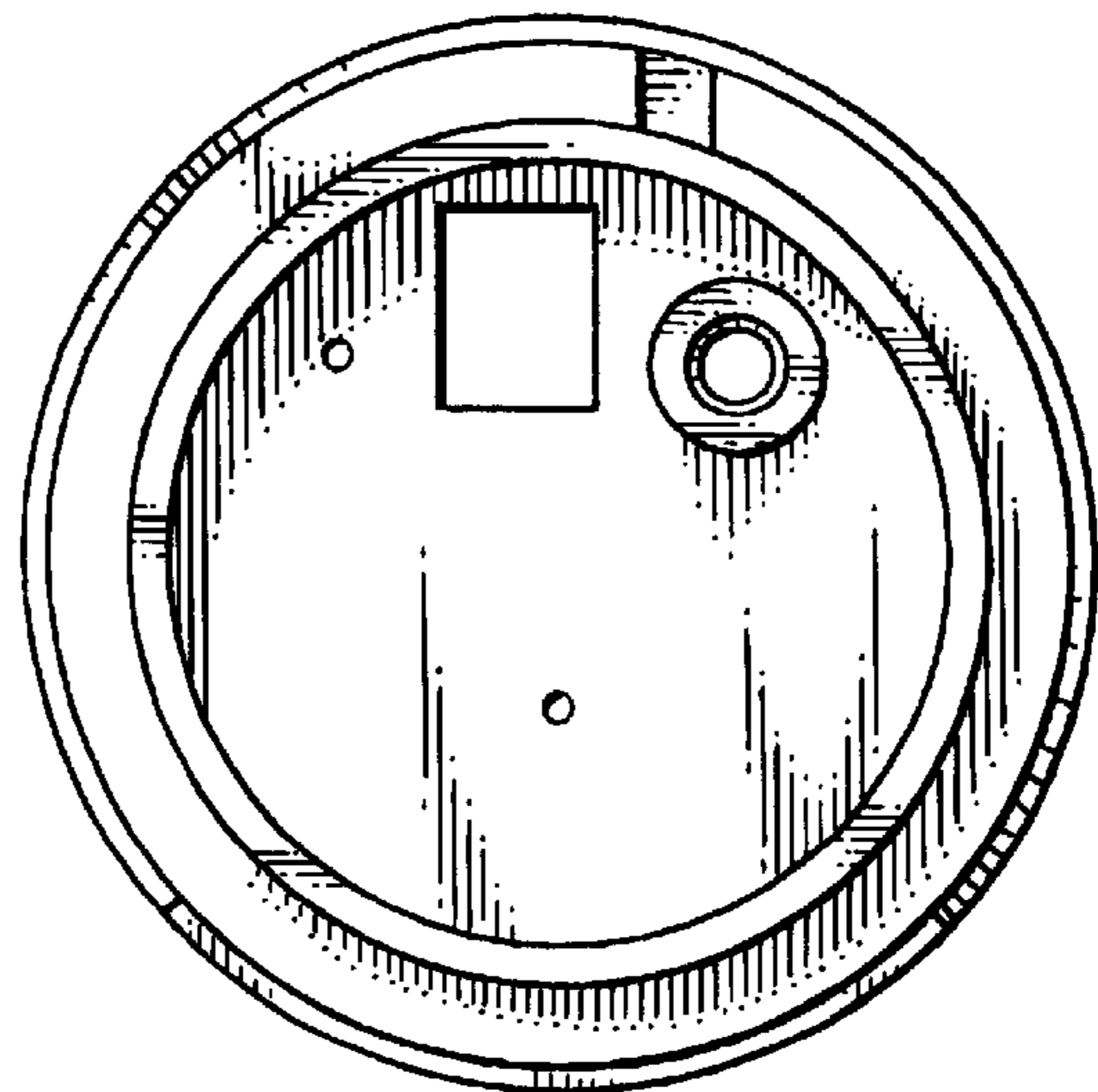


Fig. 6

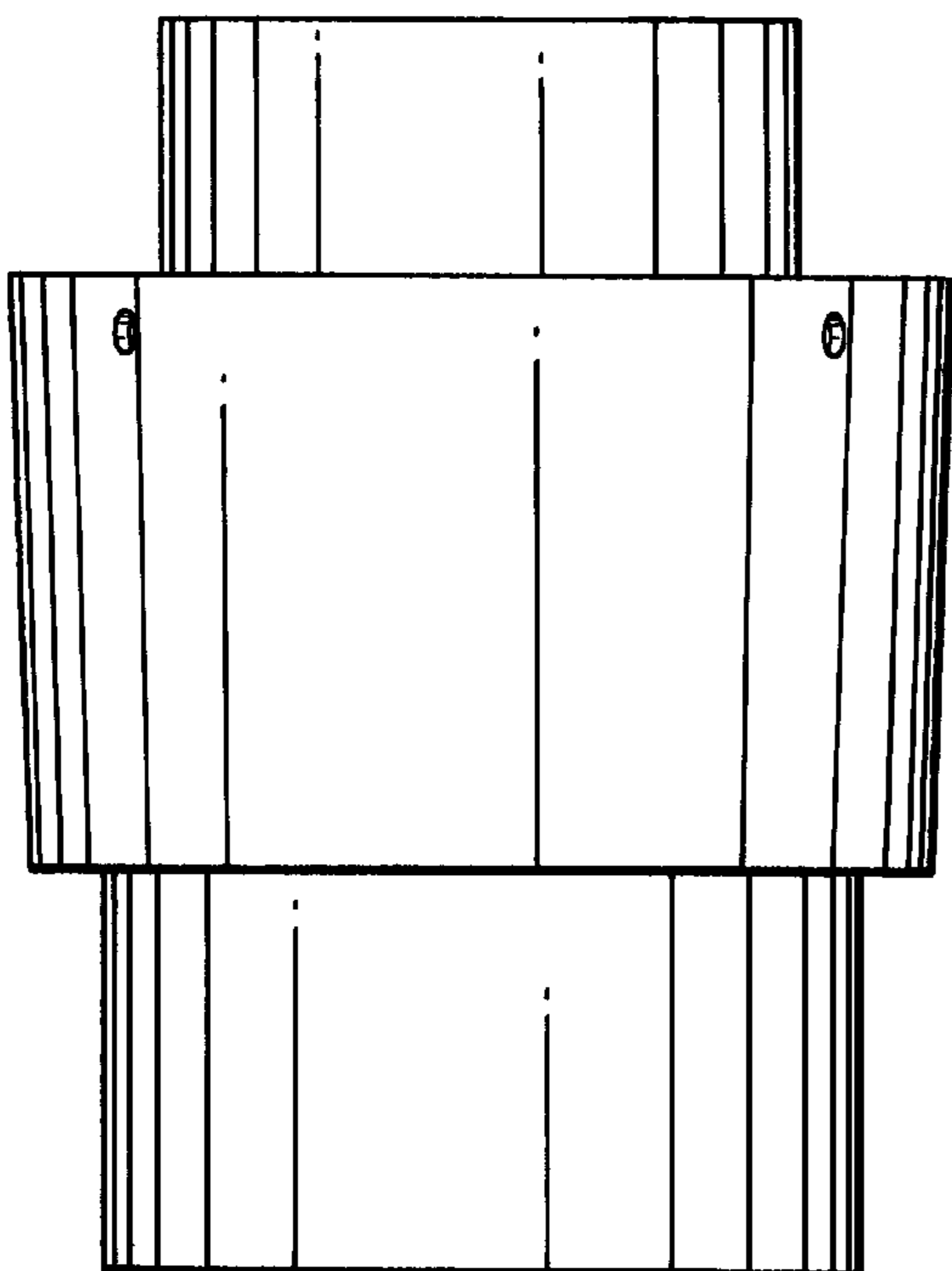


Fig. 5