



US00D395406S

United States Patent [19]

Bartosch

[11] Patent Number: **Des. 395,406**

[45] Date of Patent: ****Jun. 23, 1998**

[54] **WALL THERMOMETER OR TABLE THERMOMETER HAVING A METAL FRAME**

[75] Inventor: **Erich Bartosch**, Stadtprozelten, Germany

[73] Assignee: **Dr. Friedrichs Gruppe Produktions-u. Vertriebs GmbH**, Wertheim, Germany

[**] Term: **14 Years**

[21] Appl. No.: **63,692**

[22] Filed: **Dec. 13, 1996**

[30] **Foreign Application Priority Data**

Jul. 24, 1996 [DE] Germany M 96 06 433.1

[51] **LOC (6) Cl.** **10-04**

[52] **U.S. Cl.** **D10/57**

[58] **Field of Search** D10/57; 374/161, 374/208

[56] **References Cited**

U.S. PATENT DOCUMENTS

4,738,549 4/1988 Plimpton 374/208

Primary Examiner—Antoine Duval Davis
Attorney, Agent, or Firm—Dilworth & Barrese

[57] **CLAIM**

The ornamental design for a wall thermometer or table thermometer having a metal frame, as shown and described.

DESCRIPTION

FIG. 1 is a perspective view of a wall thermometer having a metal frame showing my new design;

FIG. 2 is a top plan view thereof;

FIG. 3 is a left side elevational view thereof in the direction of arrows 3—3 in FIG. 2;

FIG. 4 is a front elevational view thereof in the direction of arrows 4—4 in FIG. 3;

FIG. 5 is a perspective view of a table thermometer having a metal frame showing my new design;

FIG. 6 is a front elevational view of the table thermometer shown in FIG. 5; and,

FIG. 7 is a top plan view thereof in the direction of arrows 7—7 in FIG. 6.

1 Claim, 4 Drawing Sheets

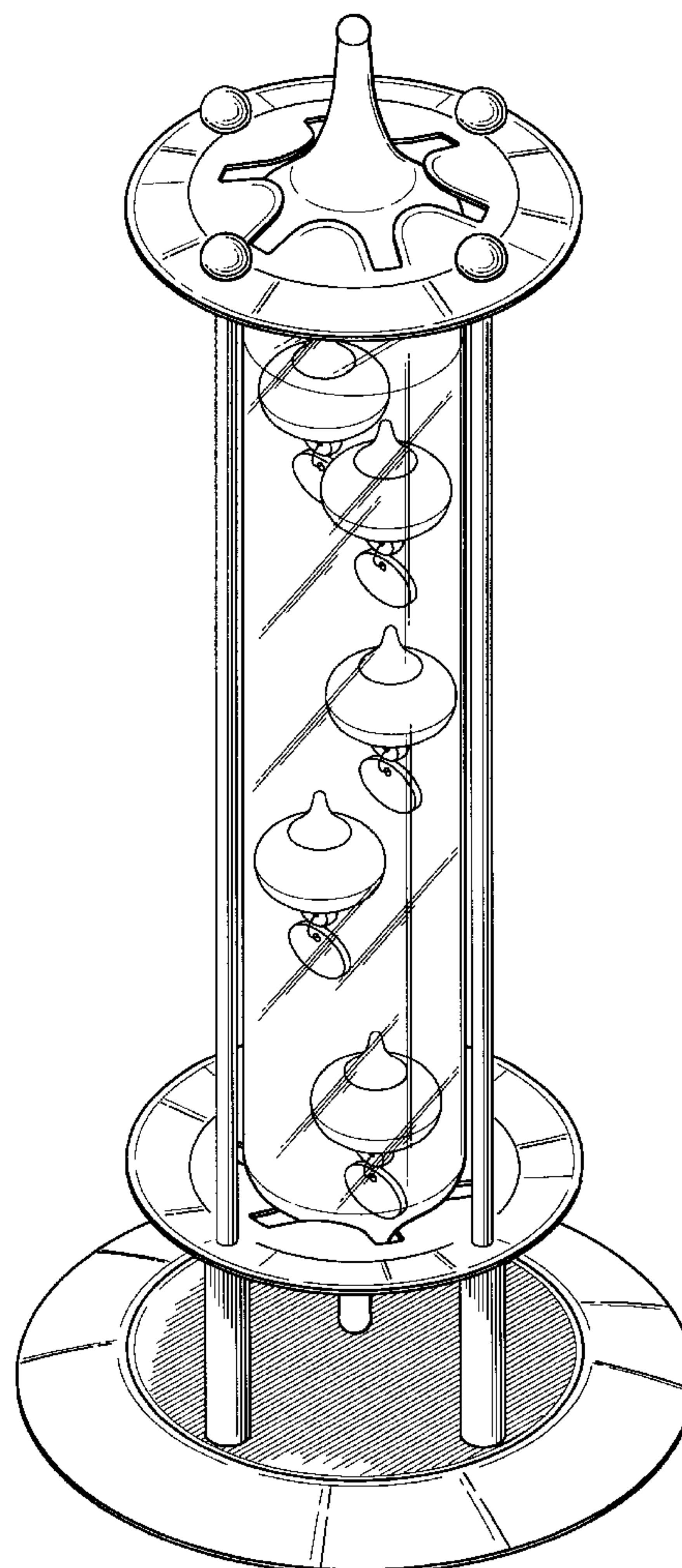
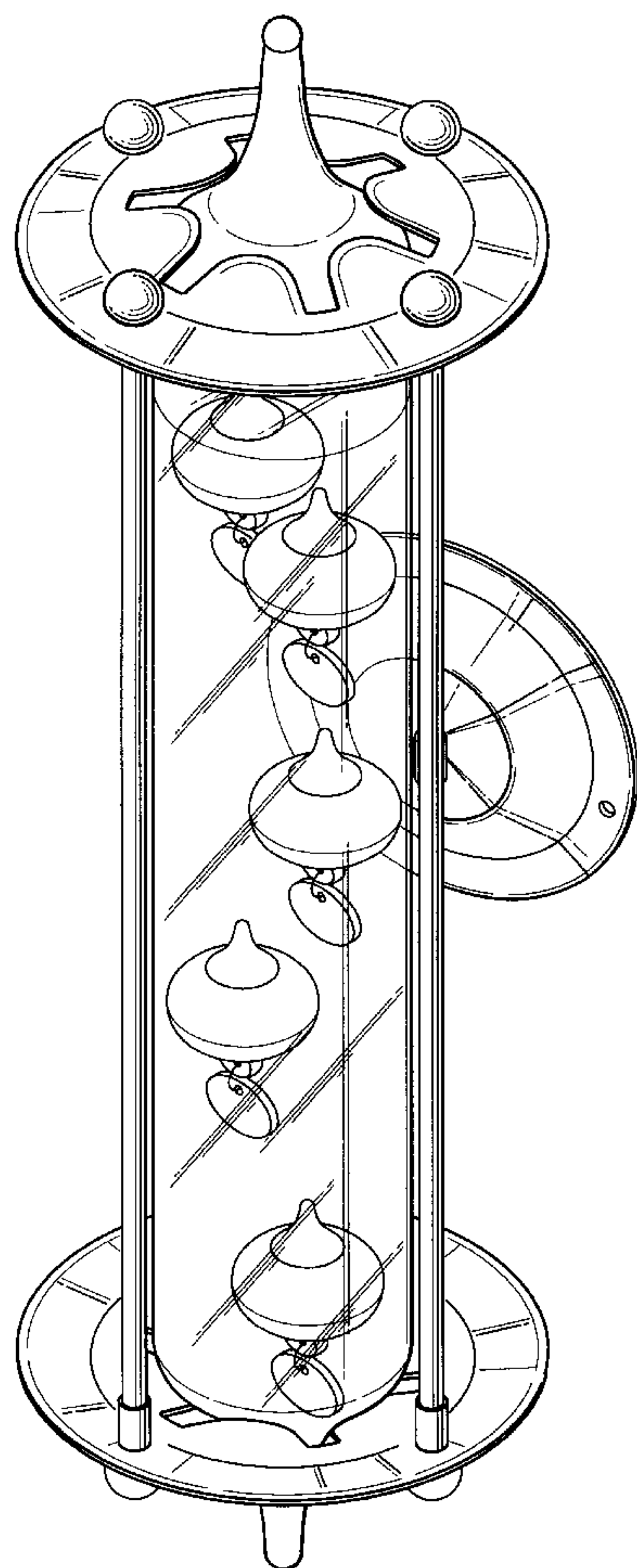
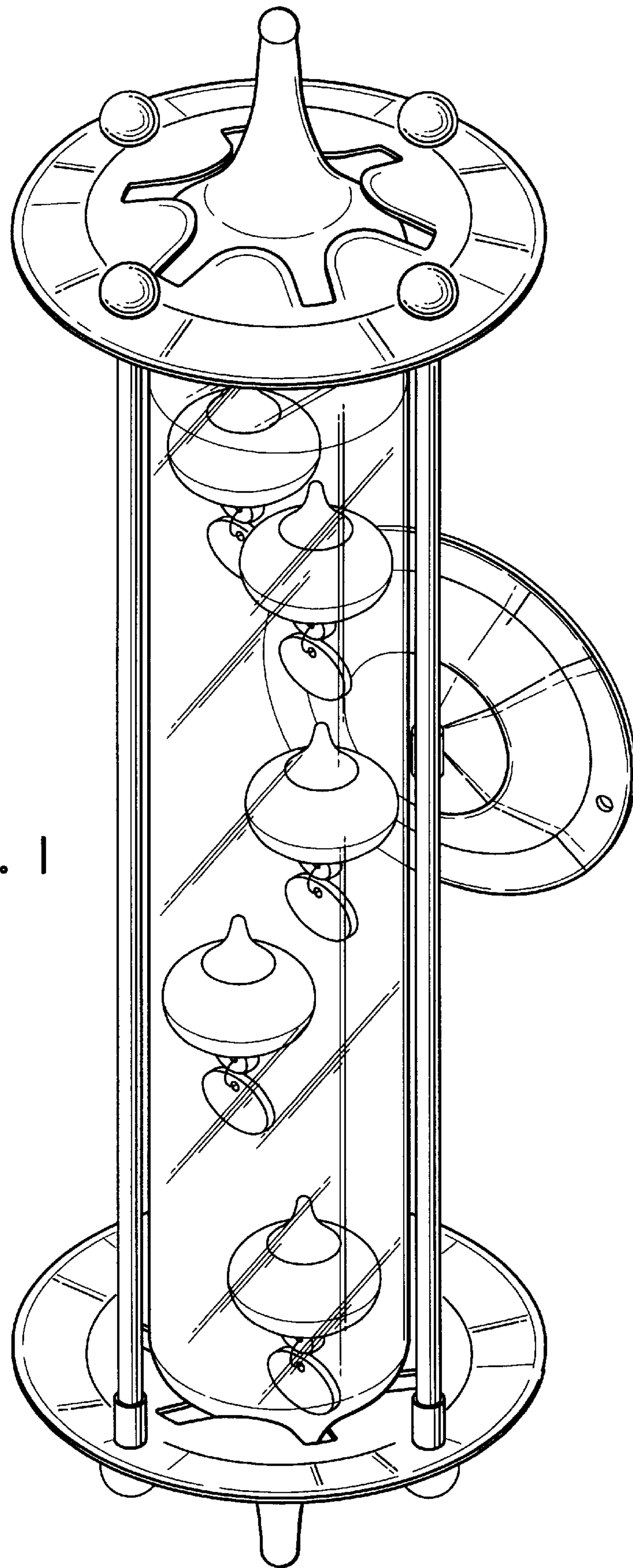
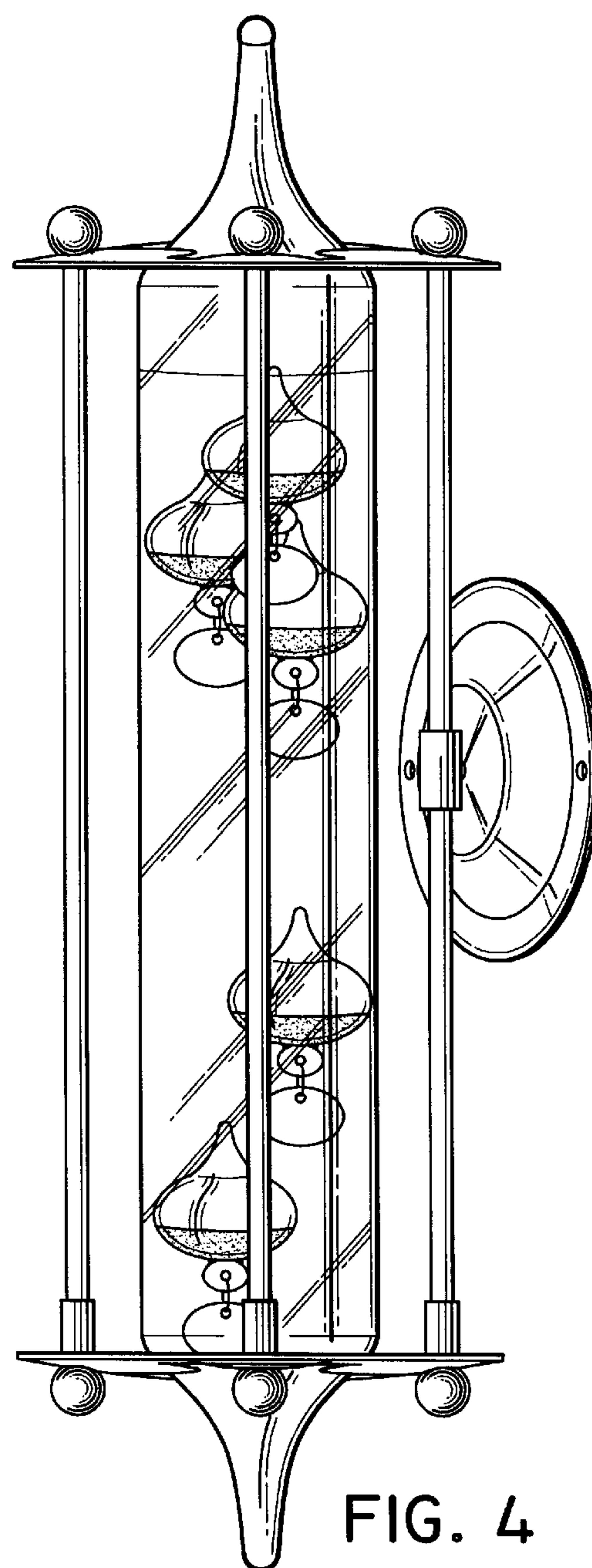
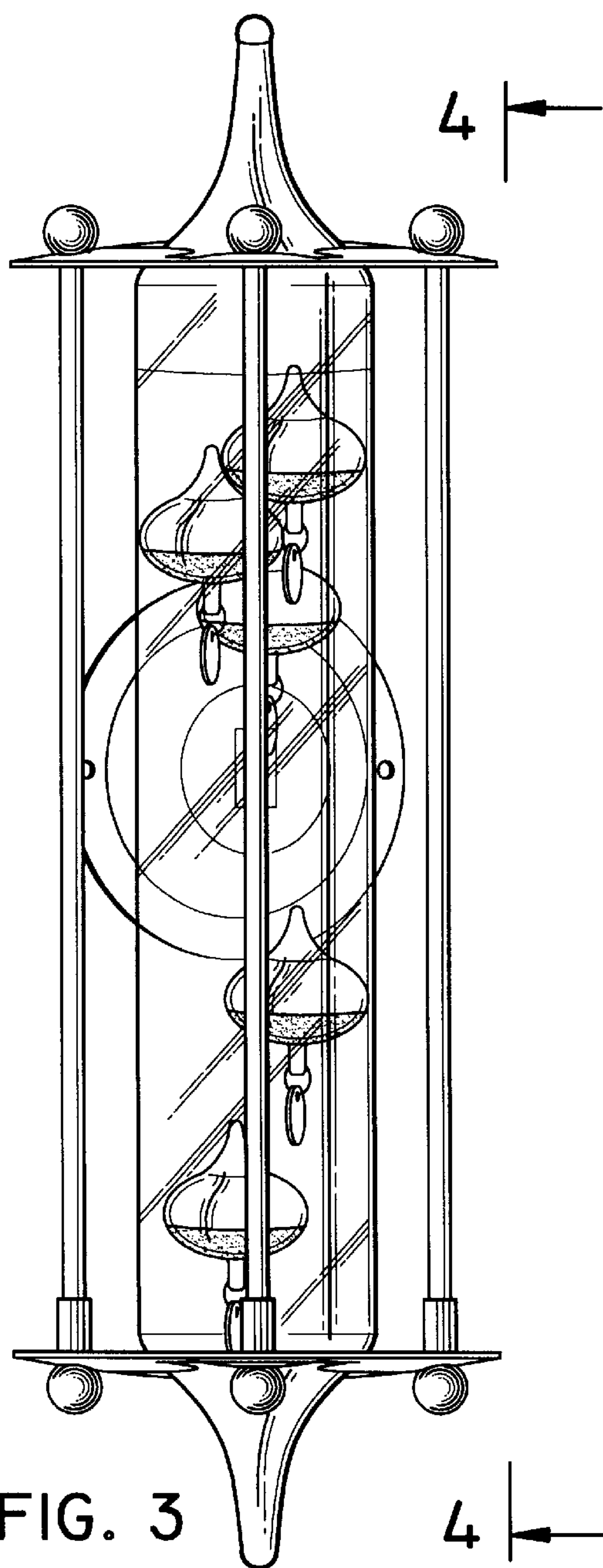
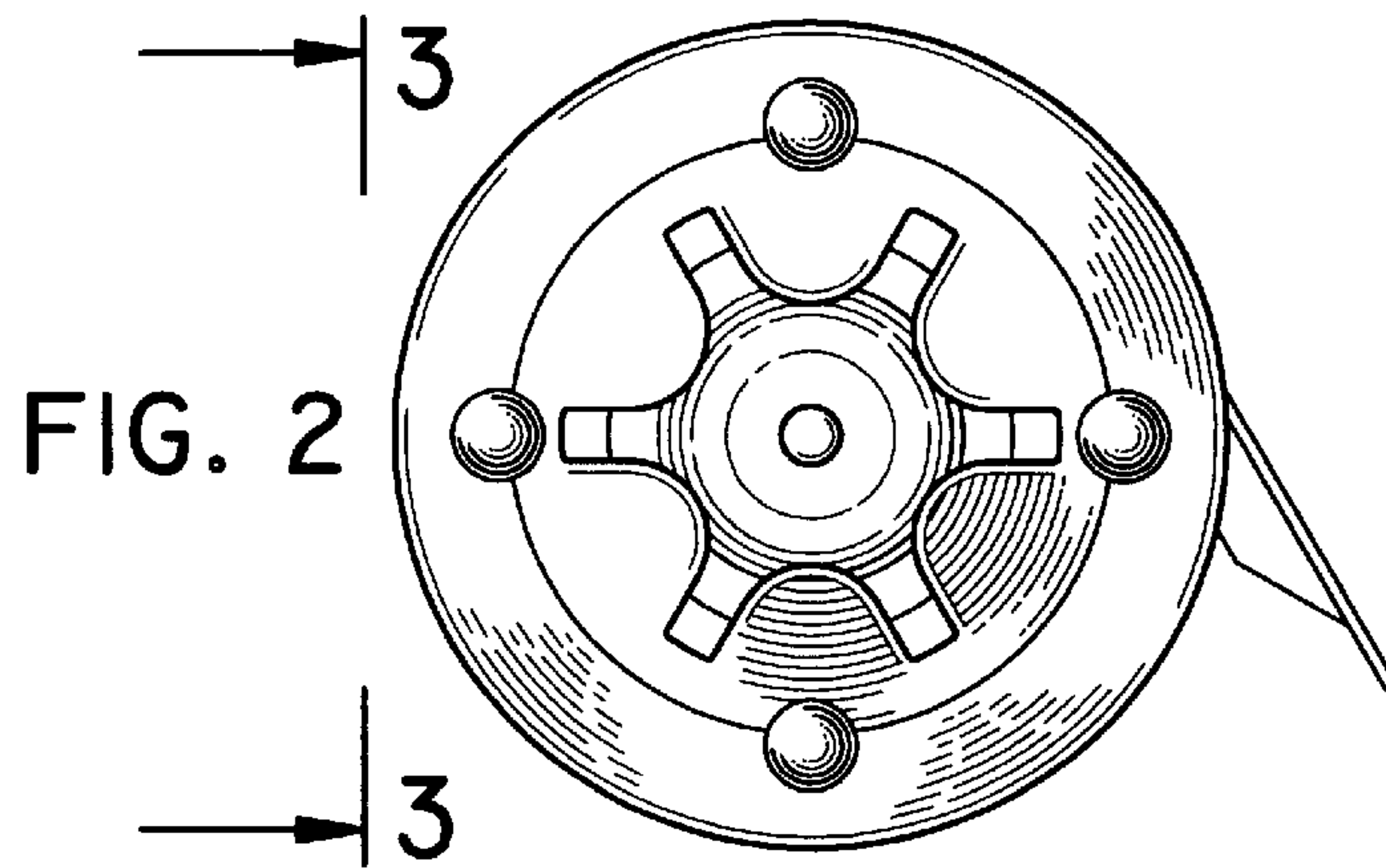
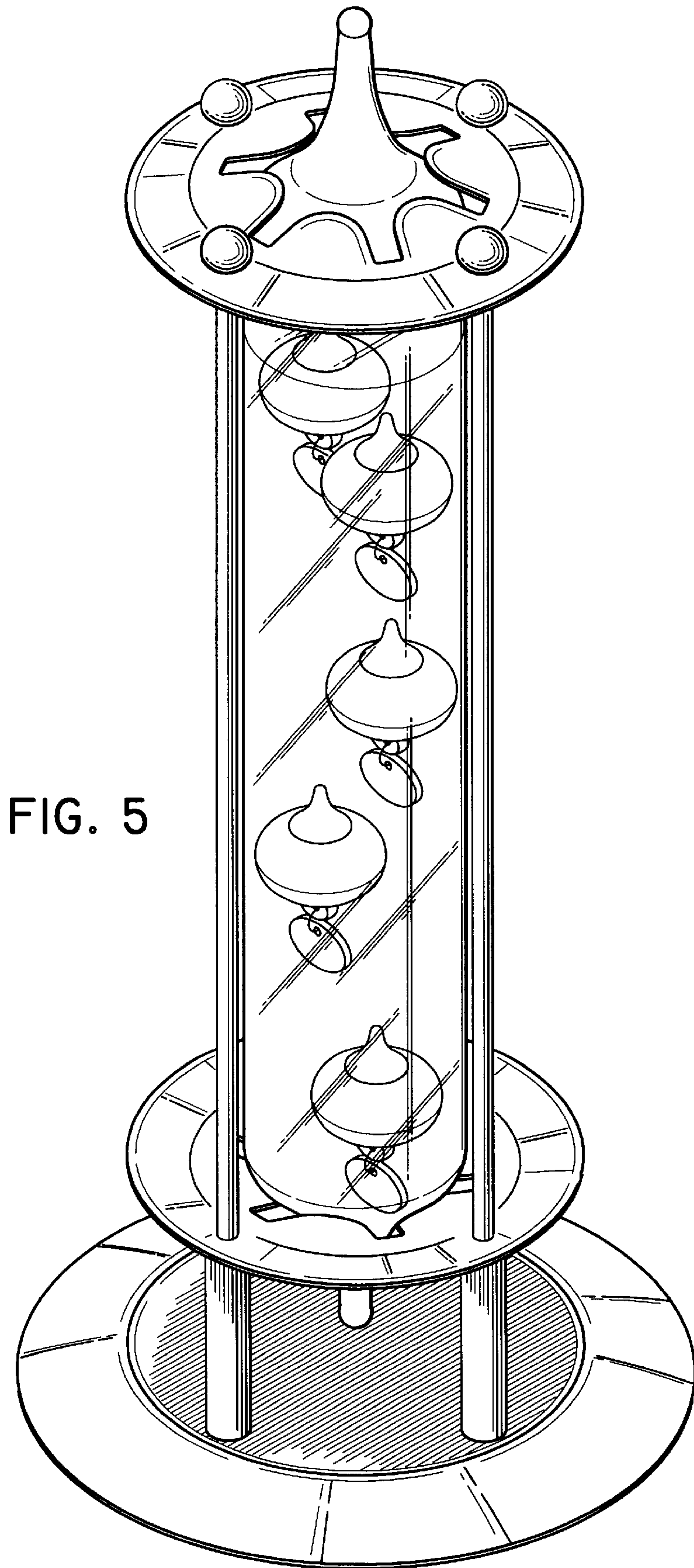


FIG. 1







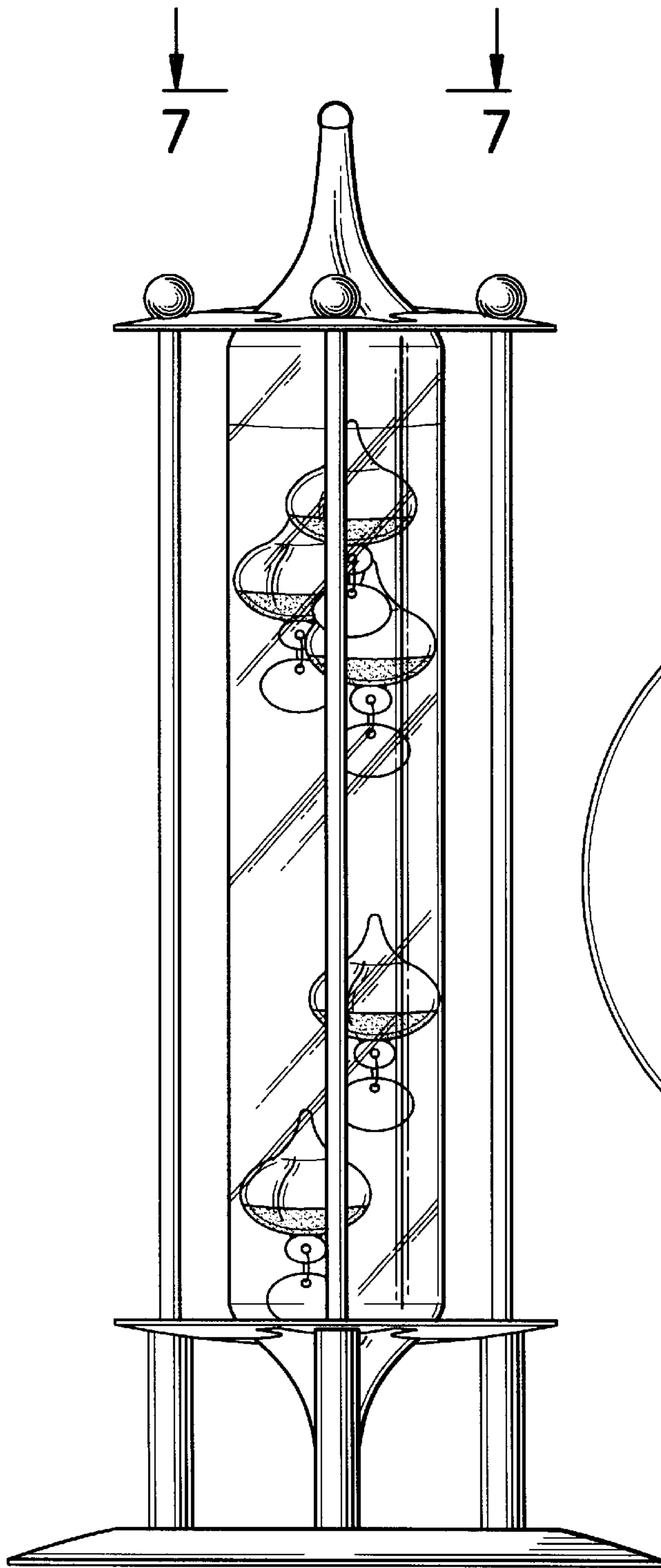


FIG. 6

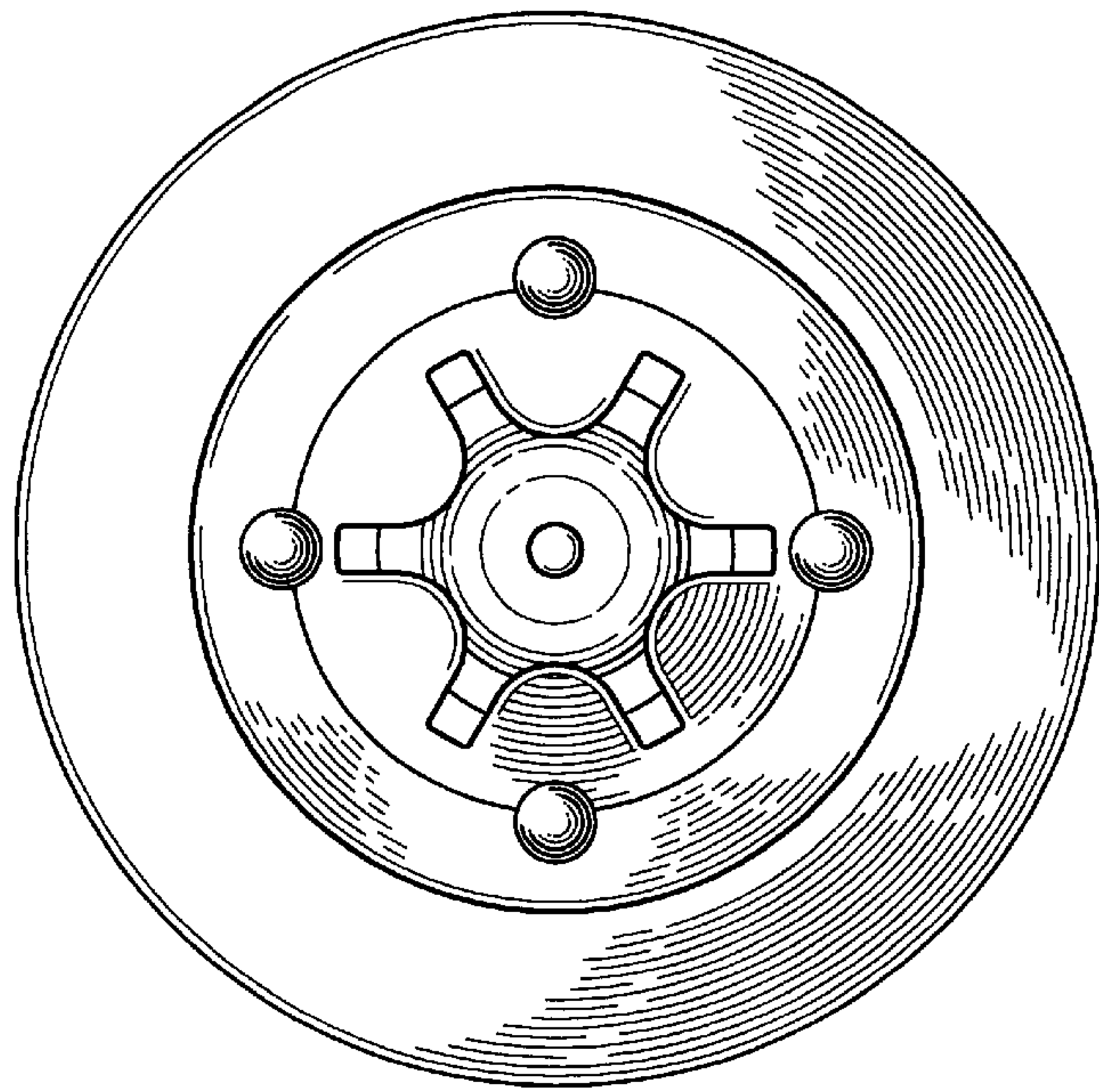


FIG. 7