



US00D395400S

United States Patent [19]

[11] Patent Number: **Des. 395,400**

Sharp et al.

[45] Date of Patent: ****Jun. 23, 1998**

[54] **CLOCK**

Attorney, Agent, or Firm—St. Onge Steward Johnston & Reens

[75] Inventors: **Rosemary Y. Sharp**, Bayville; **Brian Labrecque**, New York, both of N.Y.

[57] CLAIM

[73] Assignee: **Colibri Corporation, Linden Division**, New York, N.Y.

The ornamental design for a clock, as shown and described.

[**] Term: **14 Years**

DESCRIPTION

[21] Appl. No.: **60,684**

FIG. 1 is a front elevational view of a clock showing our new design;

[22] Filed: **Oct. 3, 1996**

FIG. 2 is a rear elevational view thereof;

Related U.S. Application Data

FIG. 3 is a front elevational view of another embodiment of our new design of FIGS. 1-2 with stained glass segments lined for color;

[62] Division of Ser. No. 46,701, Oct. 25, 1995.

[51] **LOC (6) Cl.** **10-01**

[52] **U.S. Cl.** **D10/29; D10/6**

[58] **Field of Search** **D10/1-40, 122-132; 368/276-277, 285, 316-317**

FIG. 4 is a rear elevational view of FIG. 3;

FIG. 5 is right side elevational view of both embodiments, the left side being a mirror image thereof;

[56] References Cited

U.S. PATENT DOCUMENTS

D. 240,717 7/1976 Felske D10/6

D. 321,656 11/1991 Aikawa D10/6

FIG. 6 is a top plan view of both embodiments; and,

FIG. 7 is a bottom plan view of both embodiments.

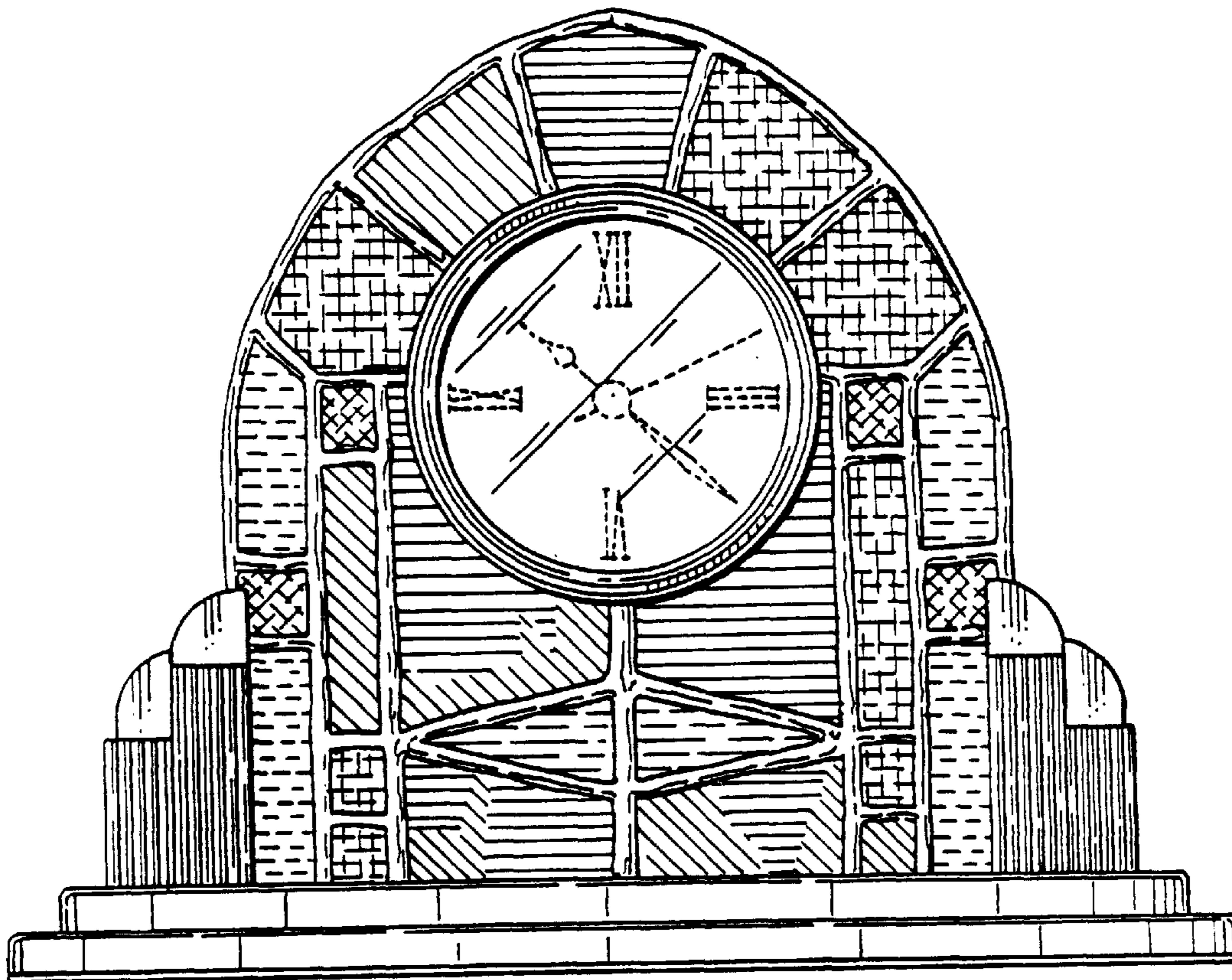
OTHER PUBLICATIONS

Home Furnishings Daily—Dec. 7, 1987—p. 74—Clock at Center—Left.

The broken line showings of FIGS. 1, 2, 7, 9, 11, 13, 17, and 19 are environmental only and form no part of the claimed design.

Primary Examiner—Nelson C. Holtje

1 Claim, 5 Drawing Sheets



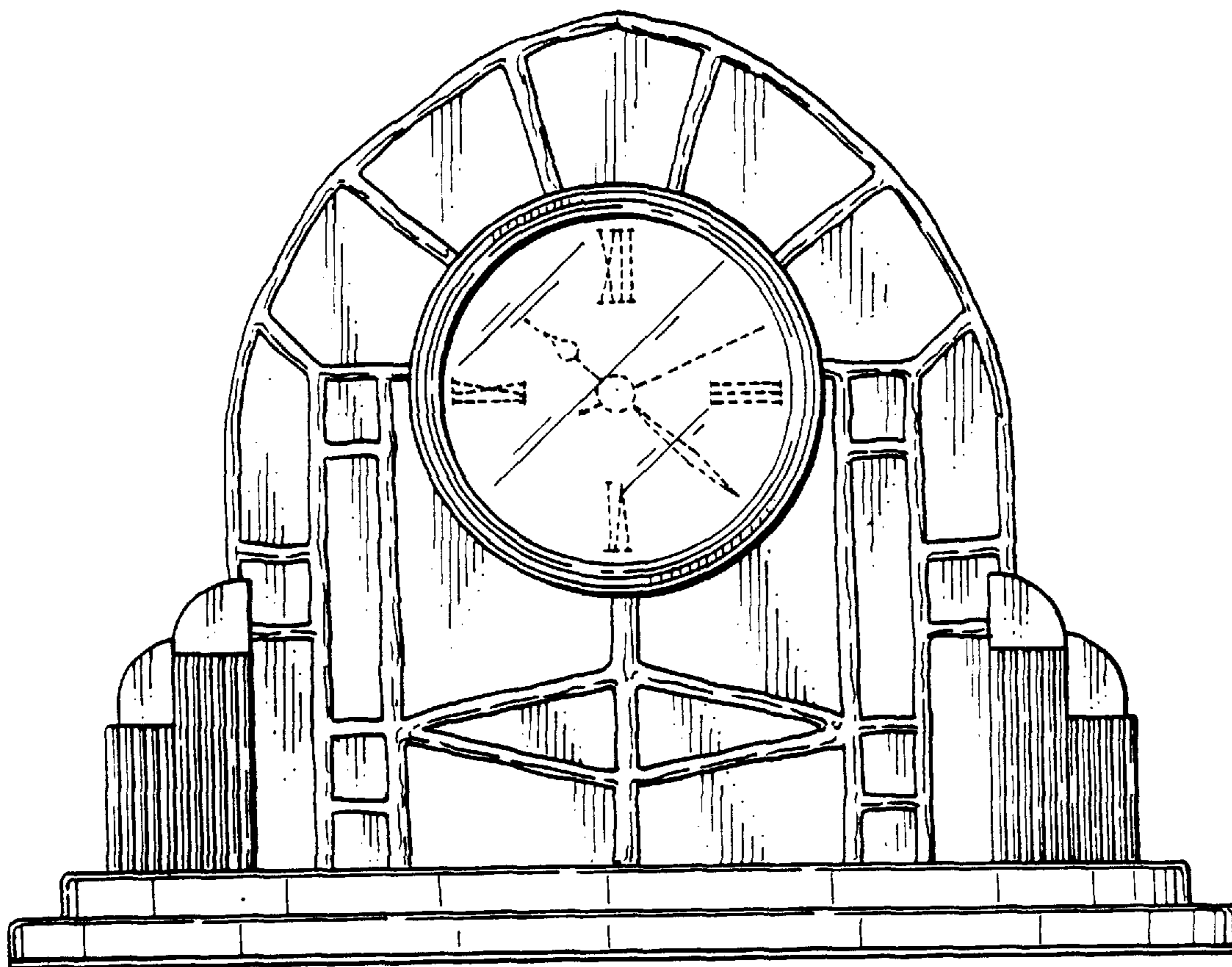


FIG. 1

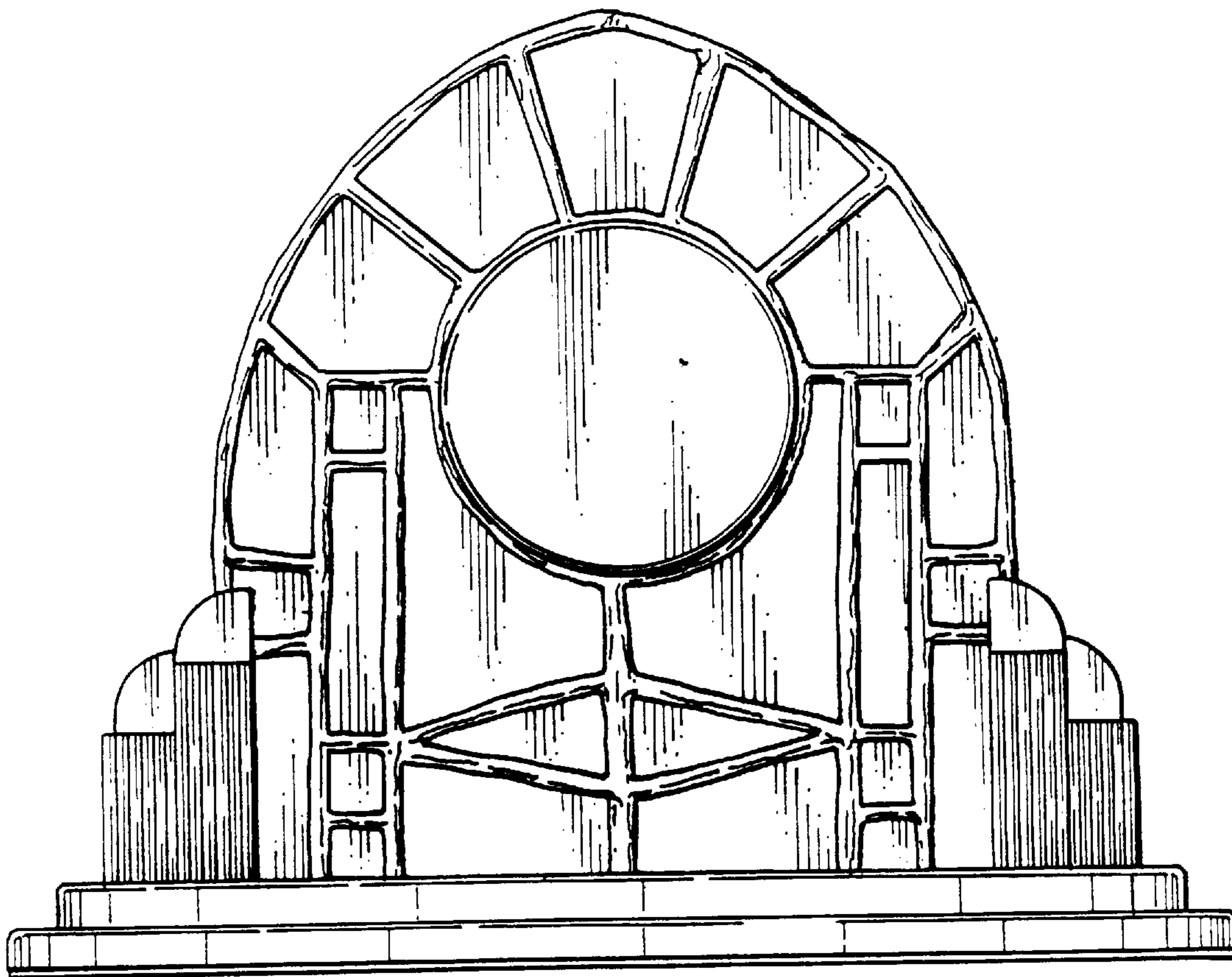
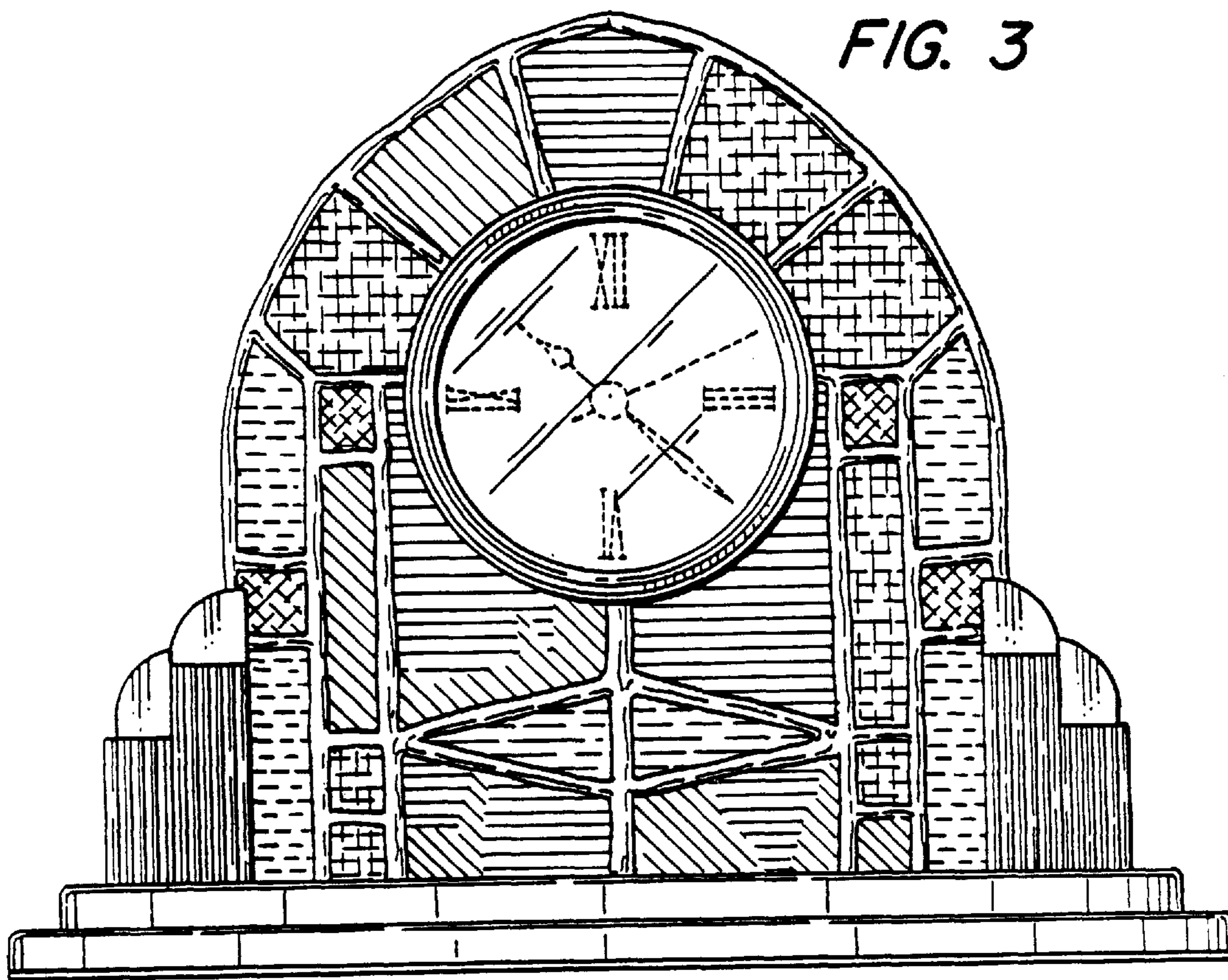


FIG. 2



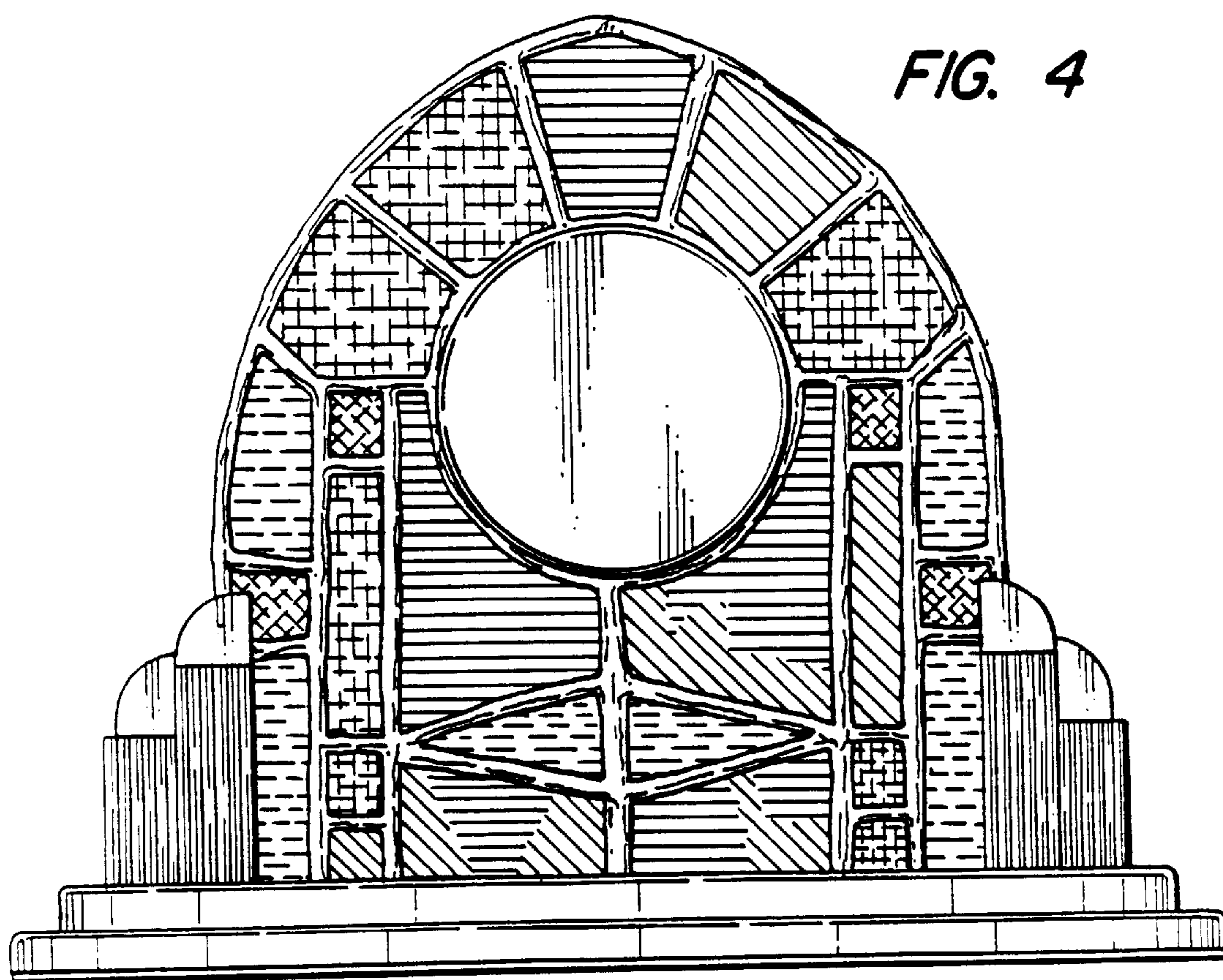


FIG. 4

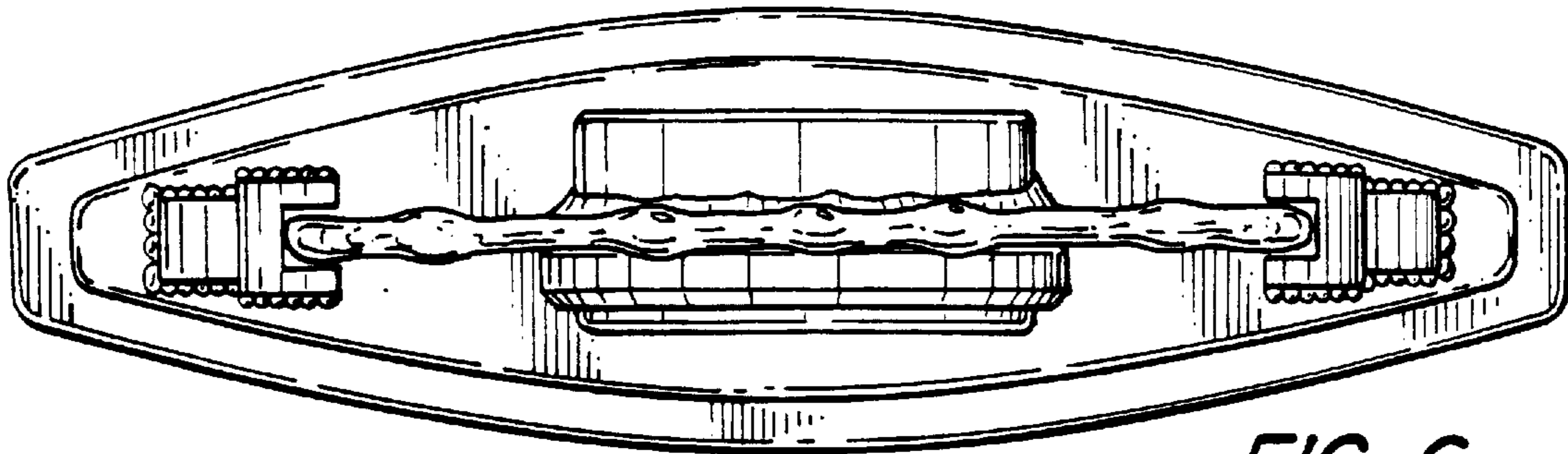


FIG. 6

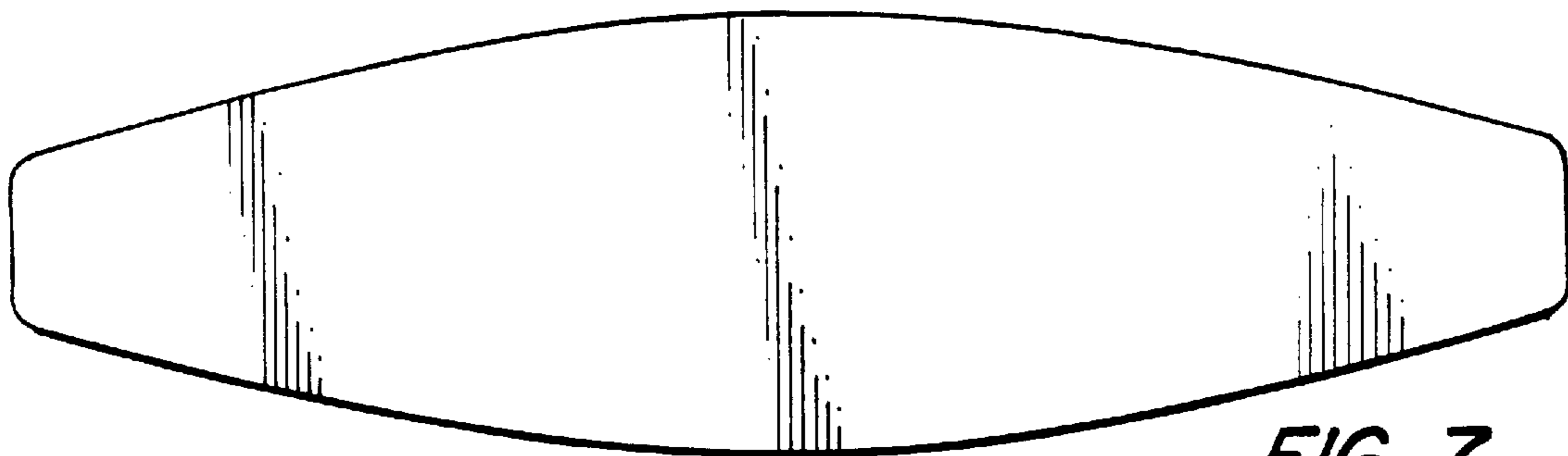


FIG. 7

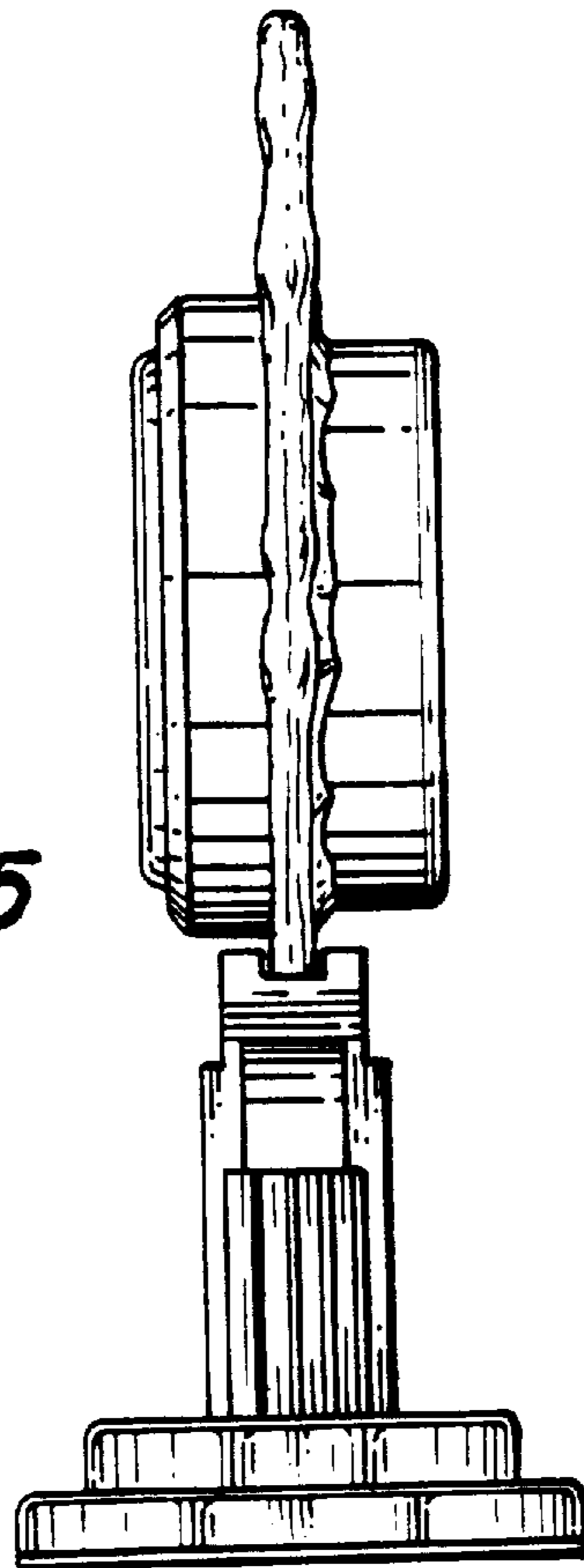


FIG. 5