



US00D395396S

# United States Patent [19]

[11] **Patent Number: Des. 395,396**

**Kuzma et al.**

[45] **Date of Patent: \*\*Jun. 23, 1998**

[54] **COMBINED BOTTLE AND CAP**

[75] Inventors: **Gene J. Kuzma; Douglas W. Weaver,**  
both of Columbus, Ohio

[73] Assignee: **GK Packaging, Inc.,** Columbus, Ohio

[\*\*] Term: **14 Years**

[21] Appl. No.: **71,094**

[22] Filed: **May 20, 1997**

[51] **LOC (6) Cl. .... 09-01**

[52] **U.S. Cl. .... D9/542; D9/563**

[58] **Field of Search .... D9/542, 543, 539,**  
D9/540, 563, 566, 550, 571-575, 544-546;  
215/382, 383, 384, 400

[56] **References Cited**

**U.S. PATENT DOCUMENTS**

- D. 25,048 1/1896 Sherwood ..... D9/544
- D. 282,050 1/1986 Beaver et al. .... D9/550 X
- D. 282,443 2/1986 Beaver et al. .... D9/563
- D. 292,773 11/1987 Carlson ..... D9/558 X
- D. 306,695 3/1990 Smith ..... D9/546 X
- D. 349,858 8/1994 Lonczak et al. .... D9/558
- D. 364,093 11/1995 Weaver, Jr. .... D9/563
- D. 366,620 1/1996 Kuzma et al. .... D9/542

*Primary Examiner*—Lucy Lieberman  
*Attorney, Agent, or Firm*—John L. Gray; Kegler, Brown,  
Hill & Ritter

[57] **CLAIM**

The ornamental design for a combined bottle and cap, as shown and described.

**DESCRIPTION**

FIG. 1 is a front elevation of a combined bottle and cap showing my new design, the rear elevation is the same; FIG. 2 is a right side elevation thereof, the left side elevation is the same;

FIG. 3 is a top plan view thereof;

FIG. 4 is a bottom plan view thereof;

FIG. 5 is a front elevation of a second embodiment of the combined bottle and cap, the rear elevation is the same; FIG. 6 is a right side elevation of FIG. 5, the left side elevation is the same;

FIG. 7 is a top plan view thereof;

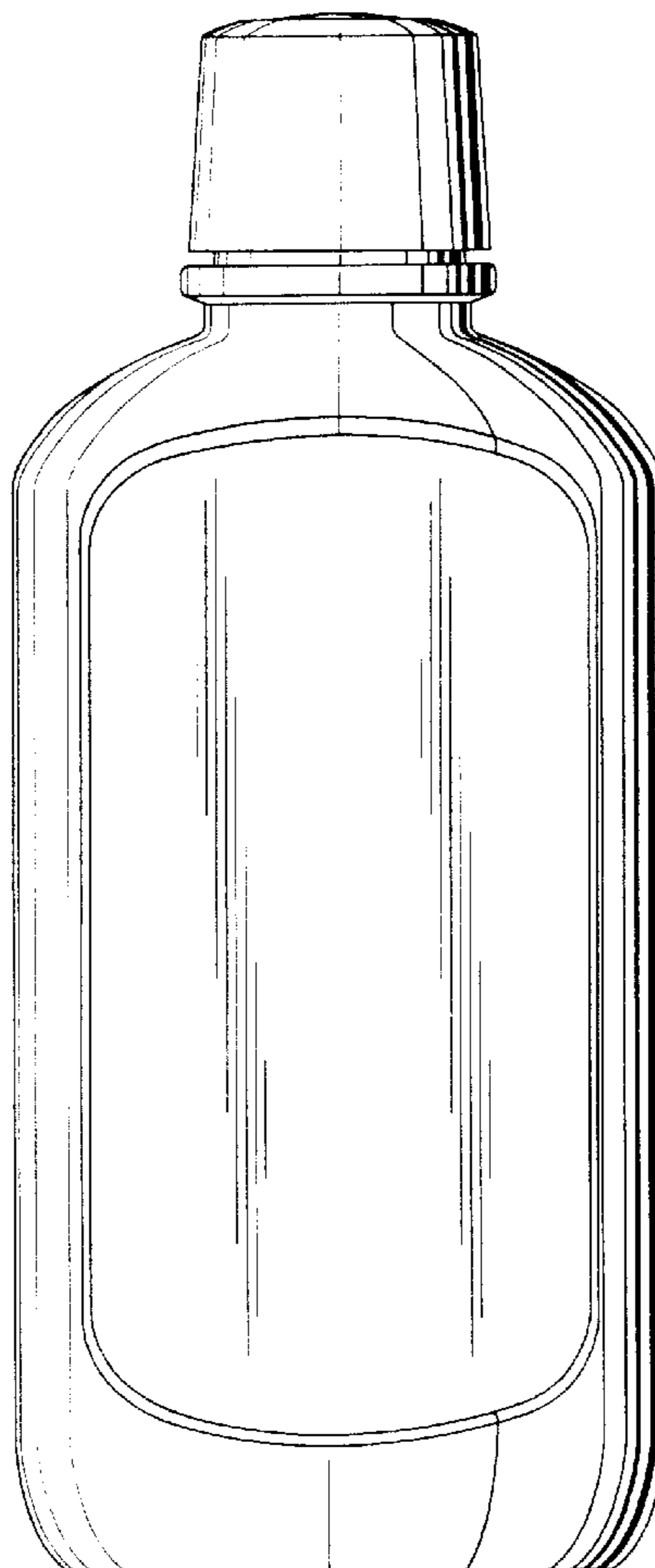
FIG. 8 is a bottom plan view thereof;

FIG. 9 is a front elevation of a third embodiment of the combined bottle and cap, the rear elevation is the same; FIG. 10 is a right side elevation of FIG. 9, the left side elevation is the same;

FIG. 11 is a top plan view thereof; and,

FIG. 12 is a bottom plan view thereof.

**1 Claim, 3 Drawing Sheets**



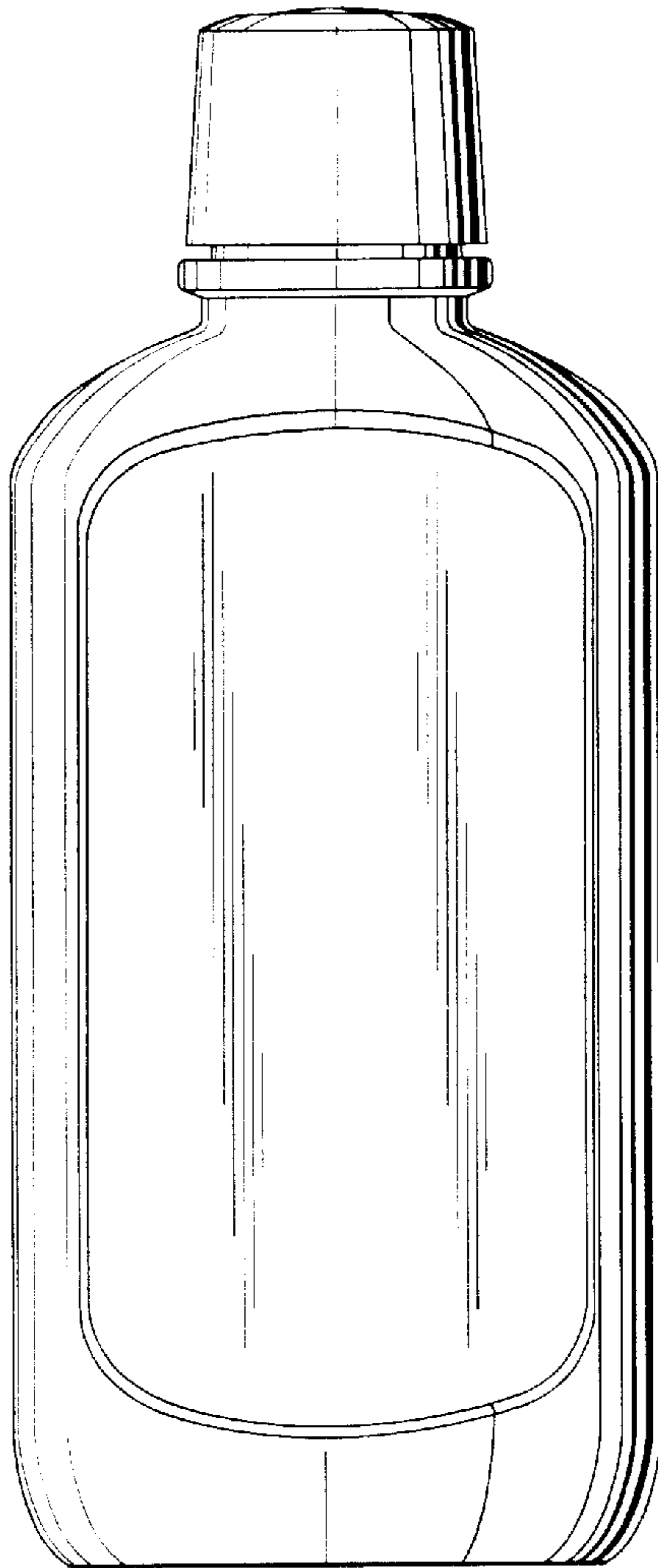


FIG. 1

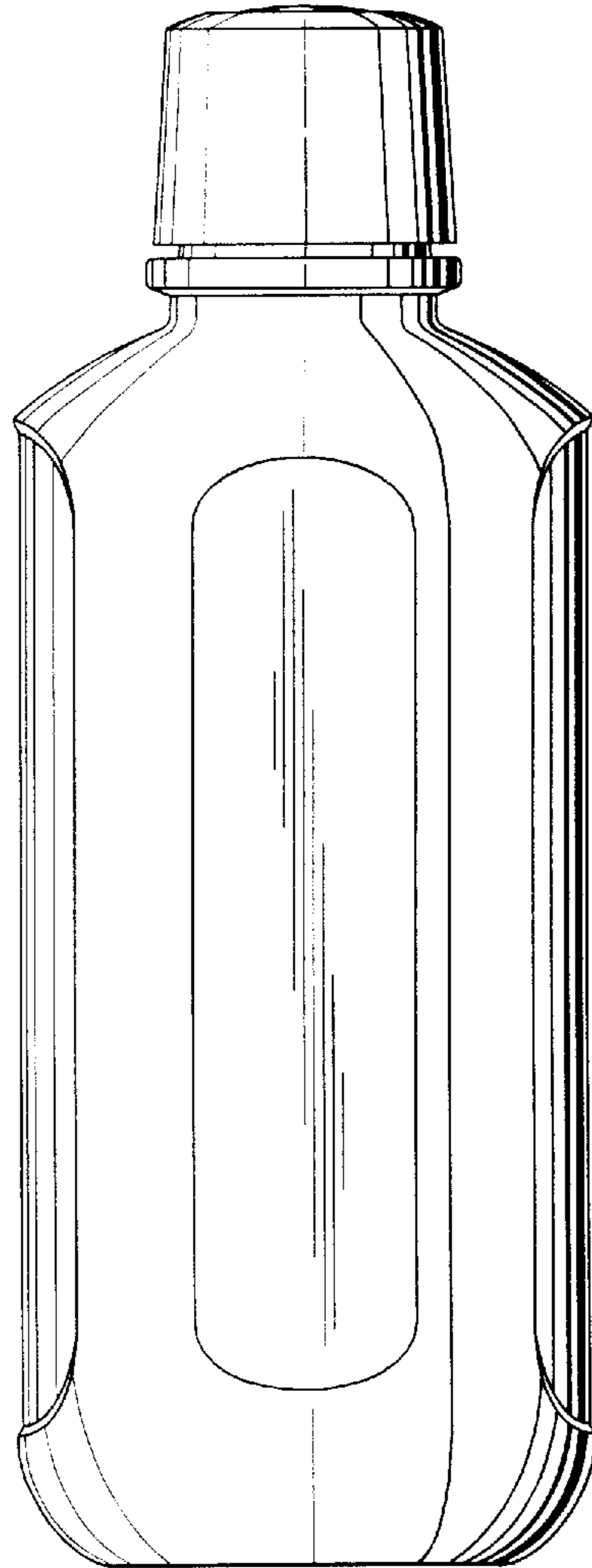


FIG. 2

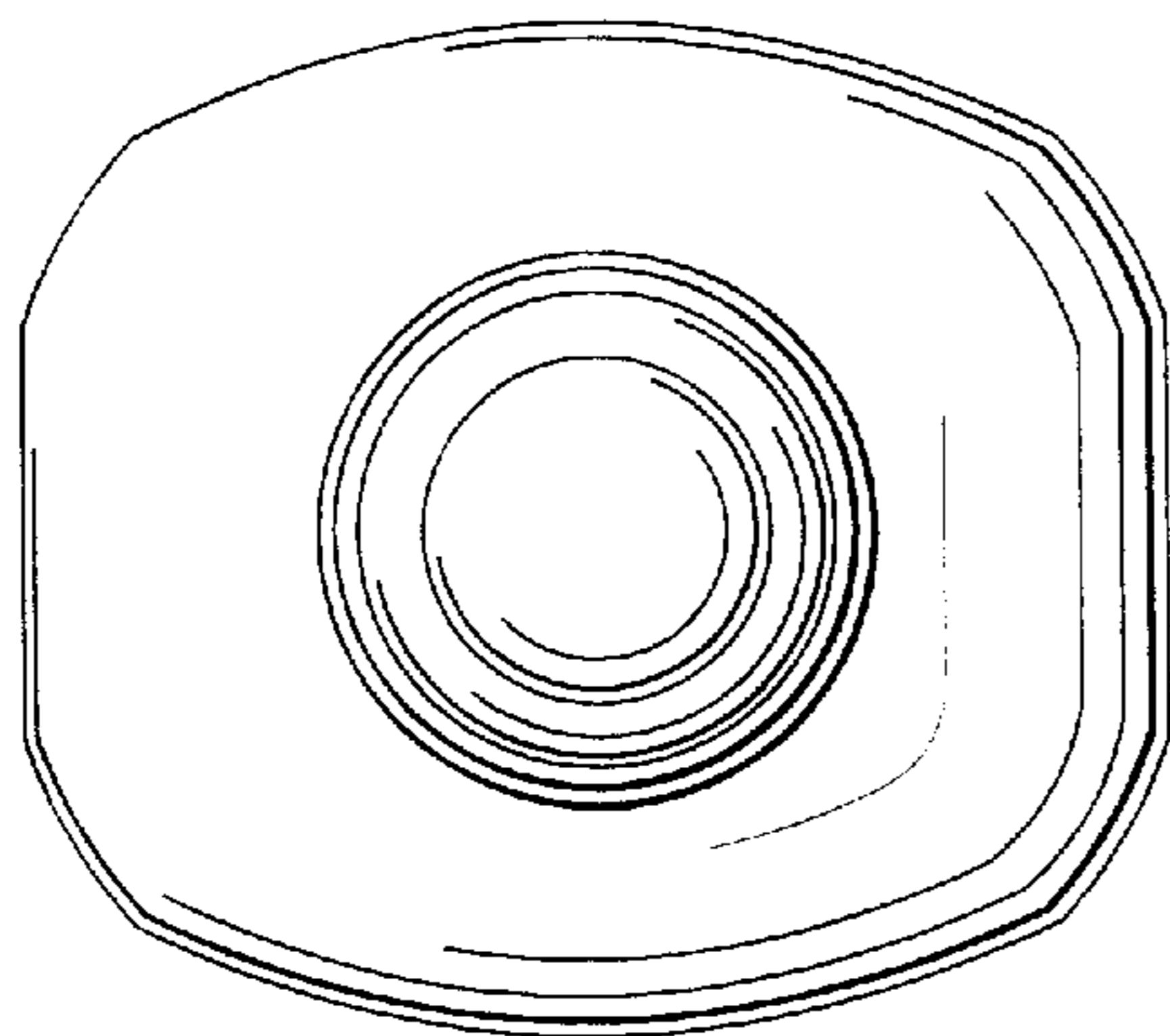


FIG. 3

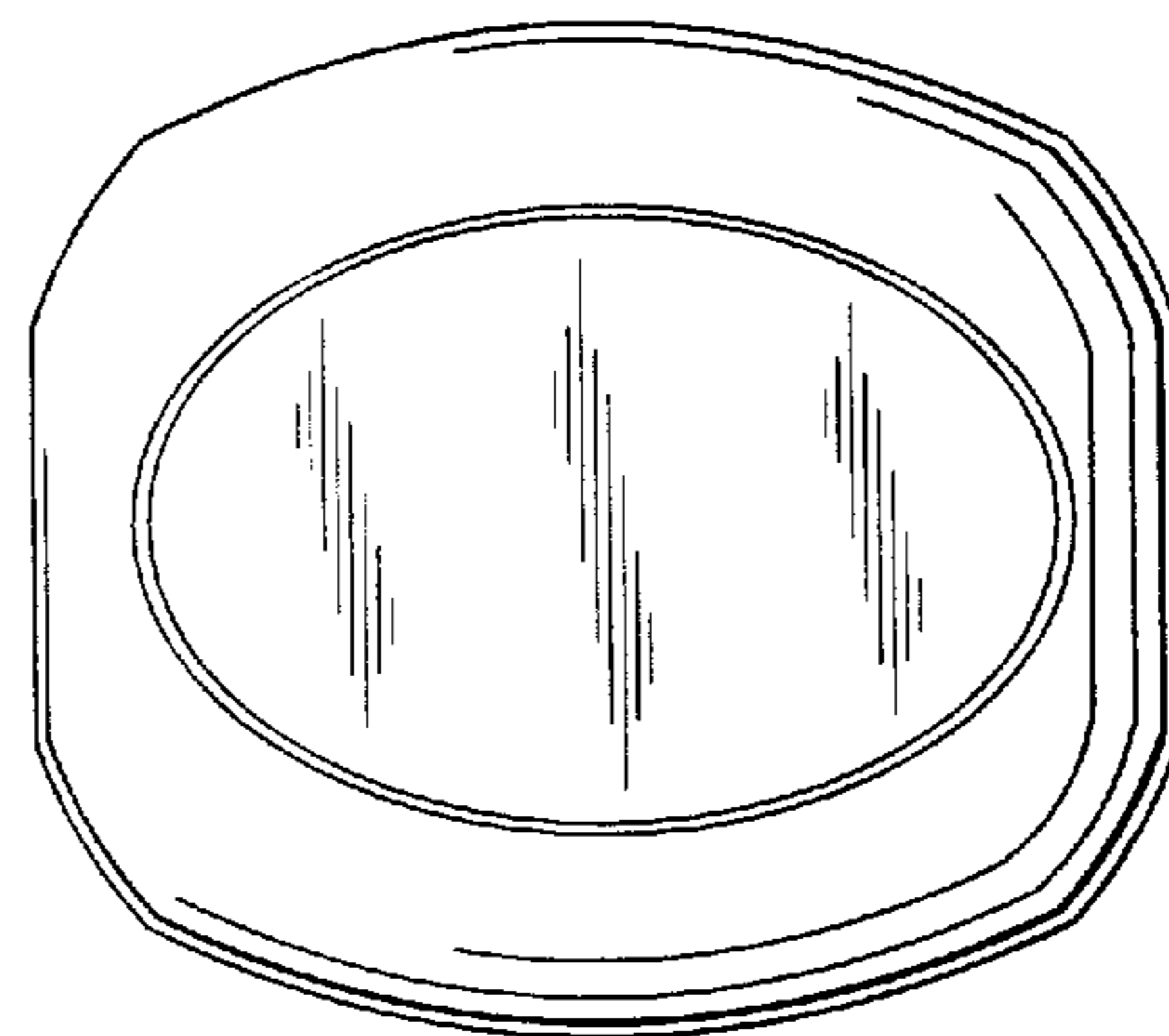


FIG. 4

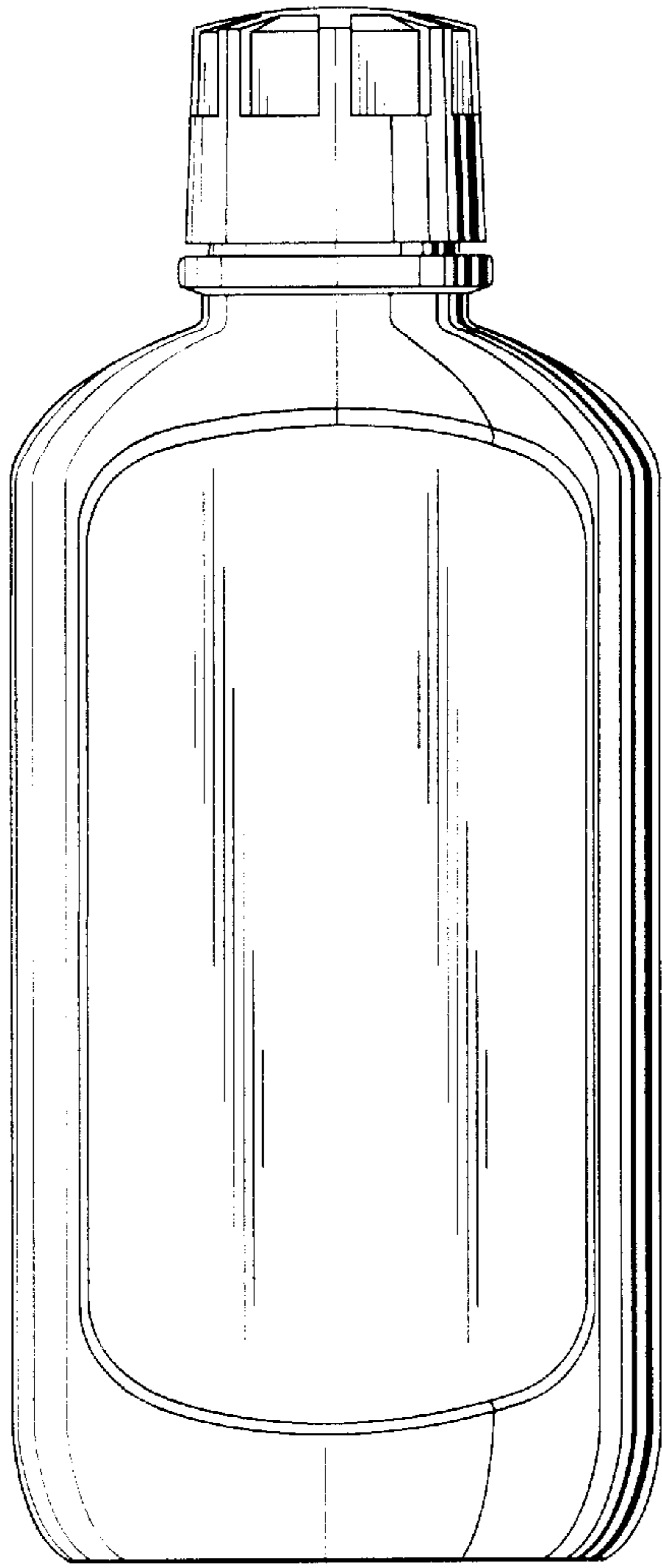


FIG. 5

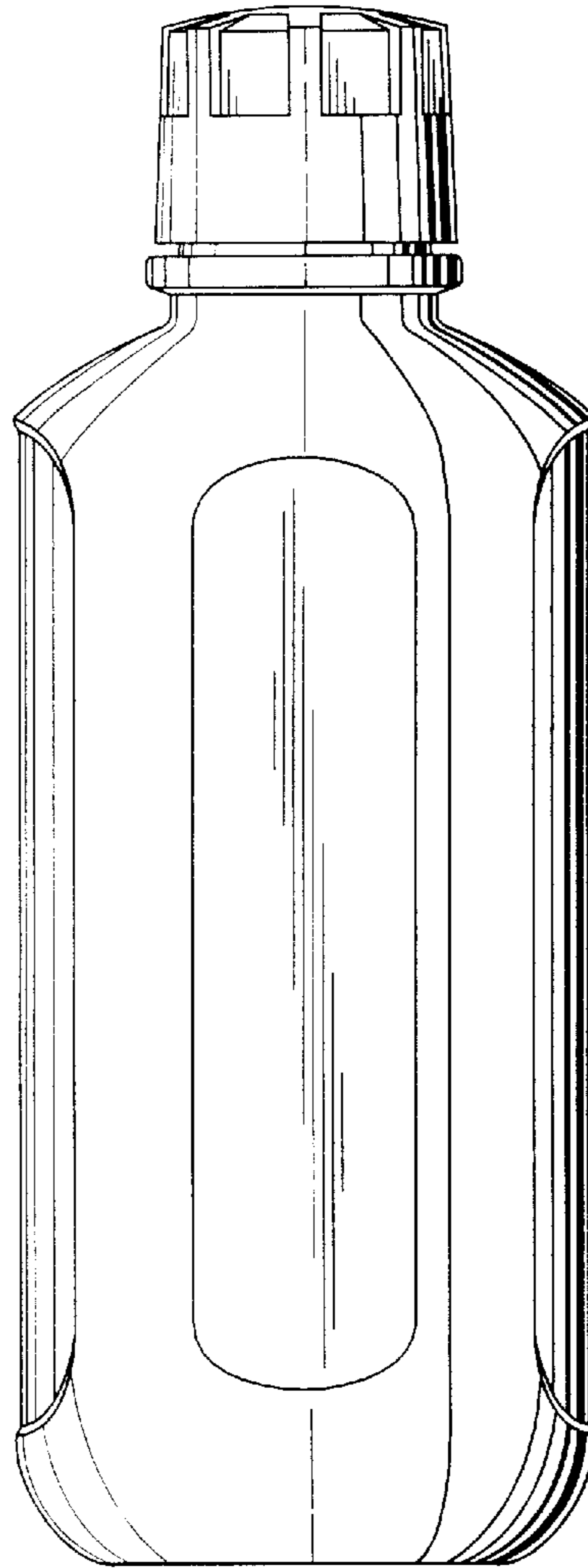


FIG. 6

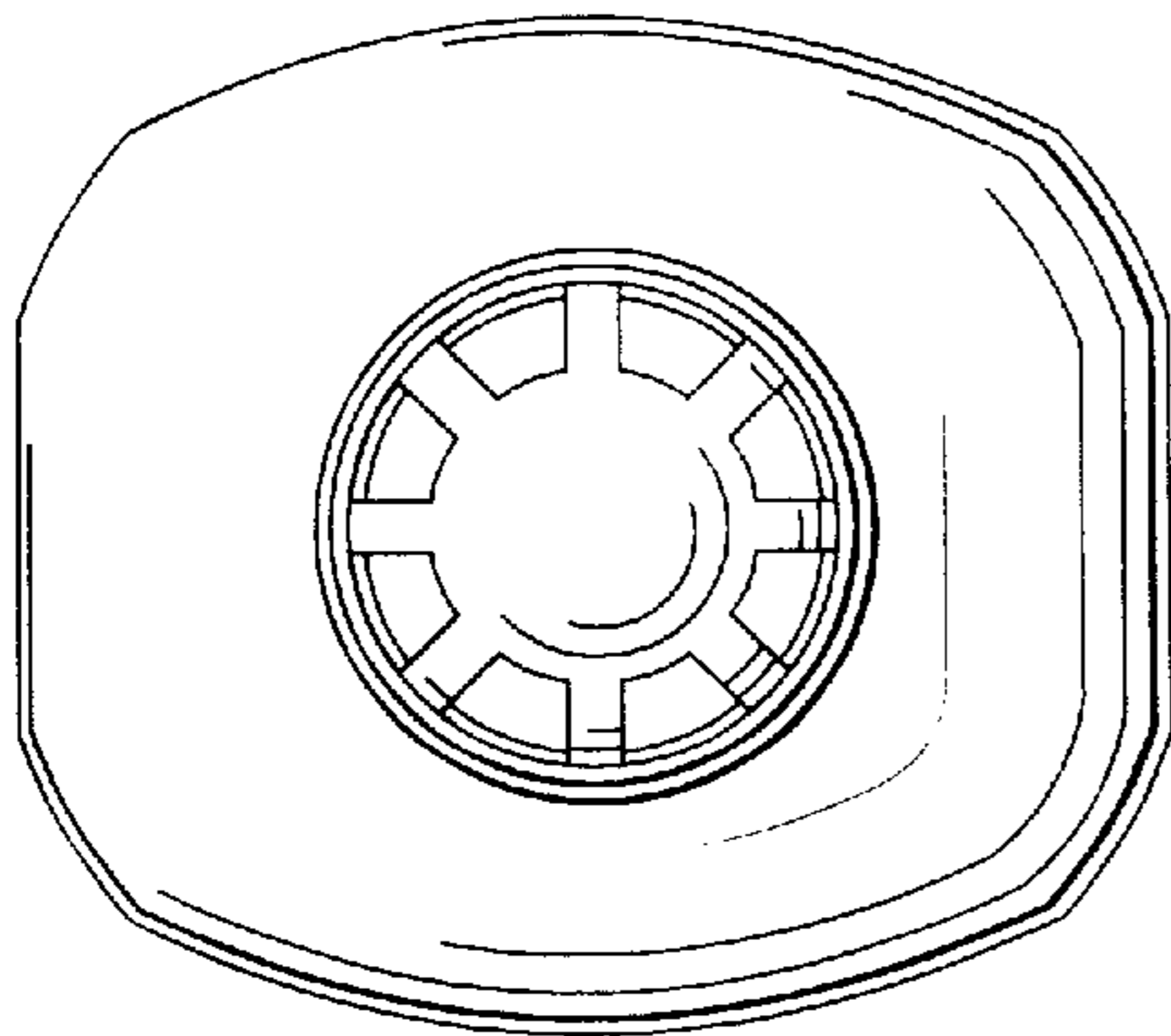


FIG. 7

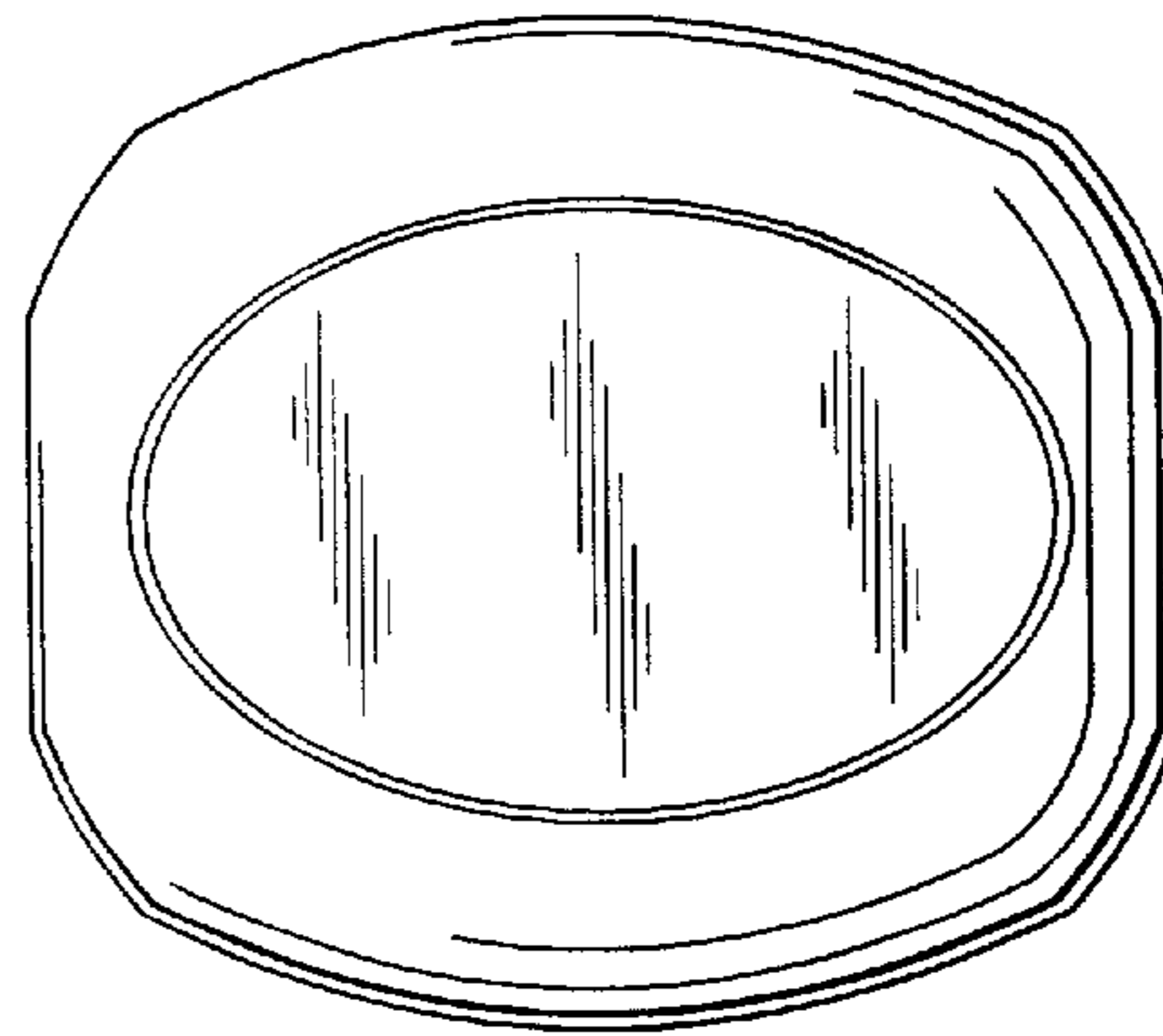


FIG. 8

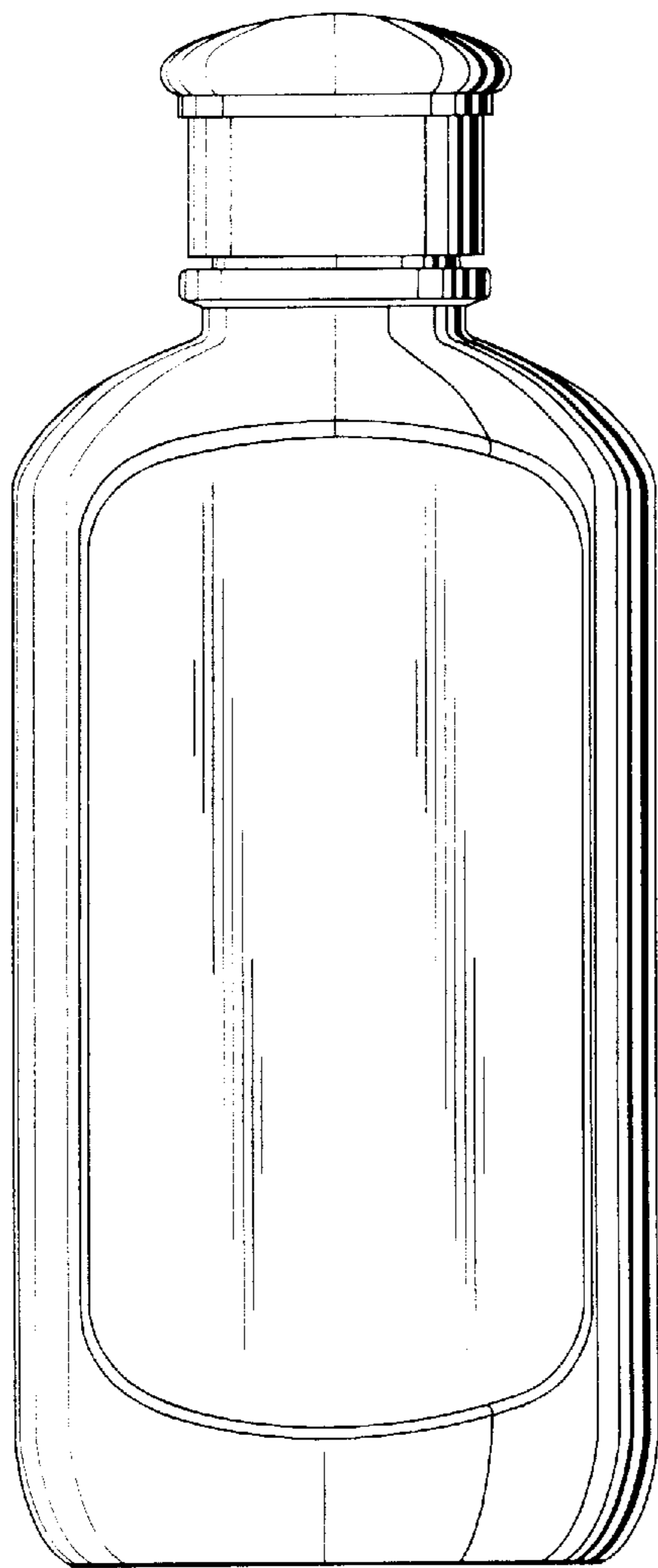


FIG. 9

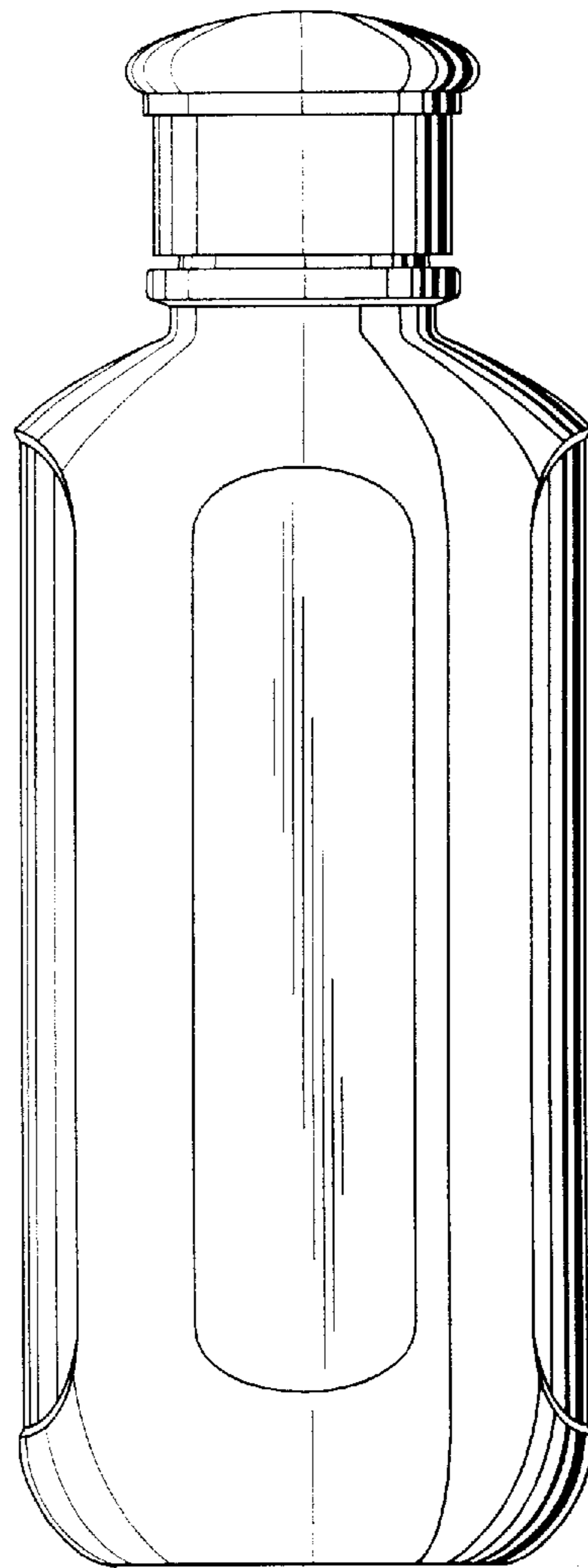


FIG. 10

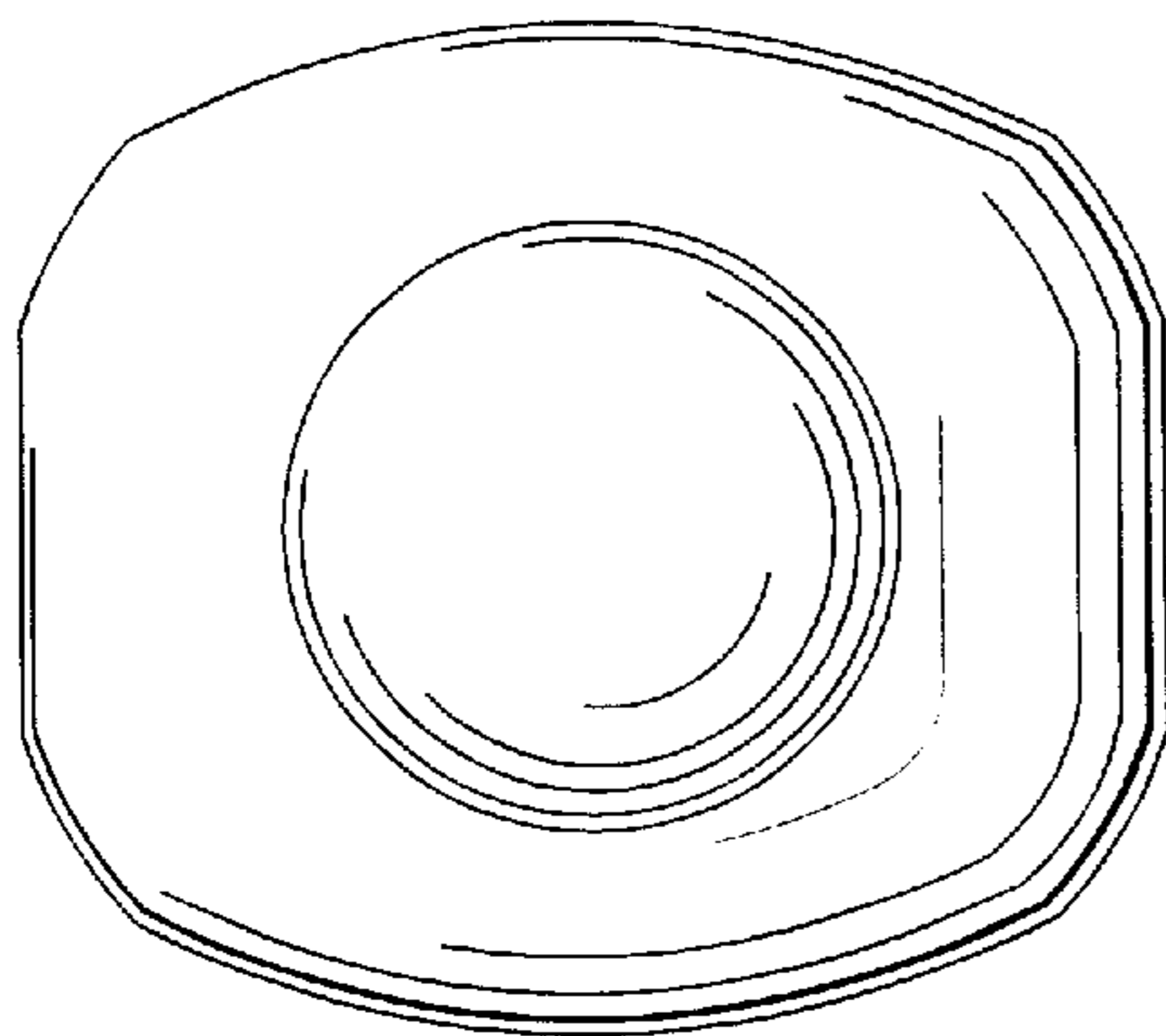


FIG. 11

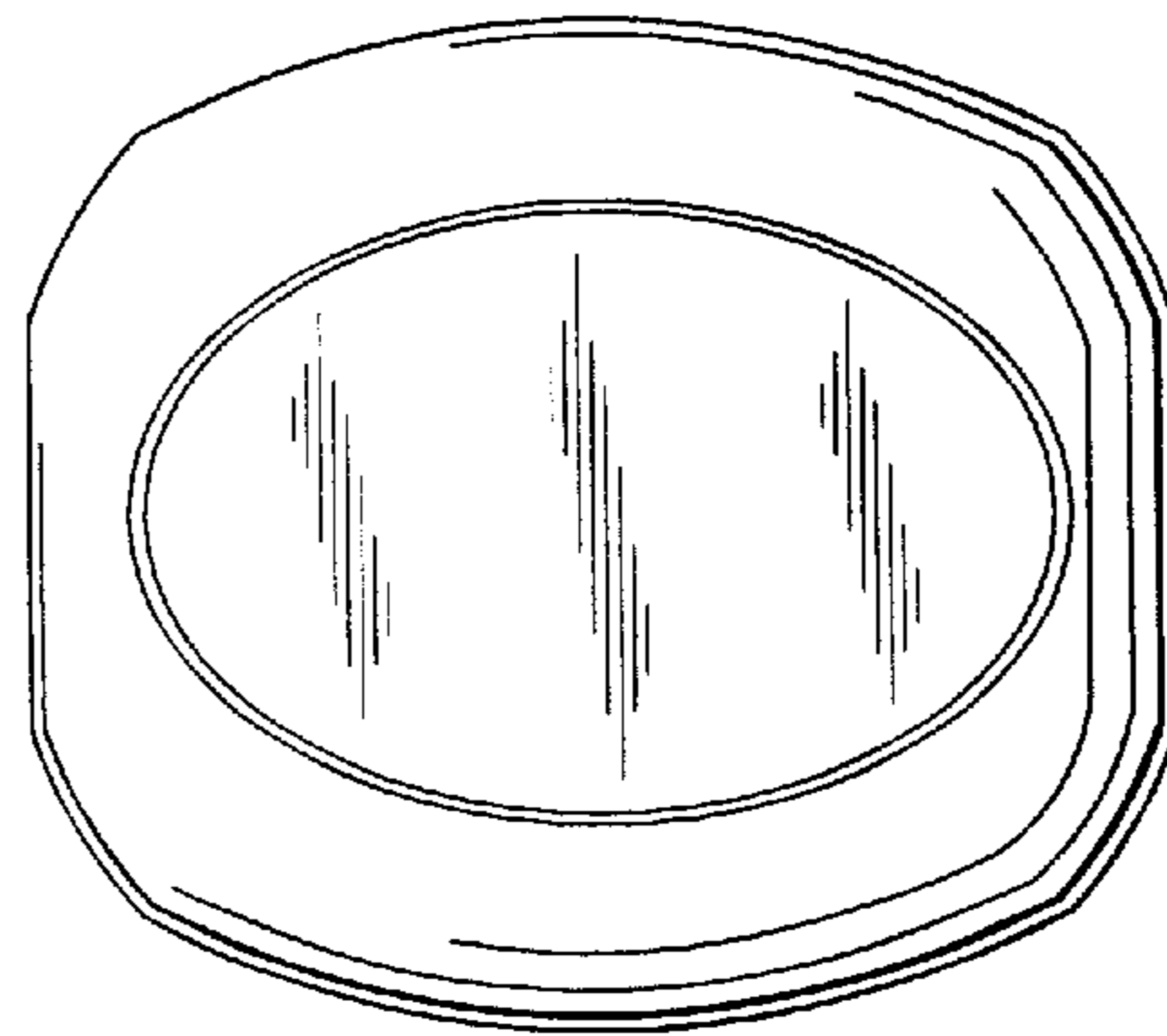


FIG. 12