



US00D395391S

United States Patent [19]

[11] **Patent Number: Des. 395,391**

Landis et al.

[45] **Date of Patent: **Jun. 23, 1998**

[54] **DISPLAY BOX**

[75] Inventors: **Kenneth J. Landis**, Hudson; **David A. Shack**, Beachwood, both of Ohio

[73] Assignee: **Allied Decals, Inc.**, Twinsburg, Ohio

[**] Term: **14 Years**

[21] Appl. No.: **75,003**

[22] Filed: **Aug. 14, 1997**

Related U.S. Application Data

[62] Division of Ser. No. 48,982, Jan. 11, 1996.

[51] **LOC (6) Cl.** **09-07**

[52] **U.S. Cl.** **D9/415; D9/432; D9/423**

[58] **Field of Search** D9/345, 341, 432, D9/423, 337, 422, 415; 206/232, 308.1, 308.2, 308.3, 307, 387.13, 472, 493, 806; 229/87.01, 87.18, 87.19; D3/273, 201, 218; D6/407

[56] **References Cited**

U.S. PATENT DOCUMENTS

D. 364,346	11/1995	Yamada	D9/432
1,830,342	11/1931	Stokes	229/87.18 X
4,648,507	3/1987	Komiyama et al.	206/232
5,096,058	3/1992	Juravin et al.	206/232
5,103,978	4/1992	Secor	206/308.3 X
5,353,921	10/1994	Tyra	206/6.1
5,370,223	12/1994	Leicht, Jr.	206/232
5,458,235	10/1995	Stone	206/232

Primary Examiner—Prabhakar G. Deshmukh
Attorney, Agent, or Firm—Renner, Otto, Boisselle & Sklar, P.L.L.

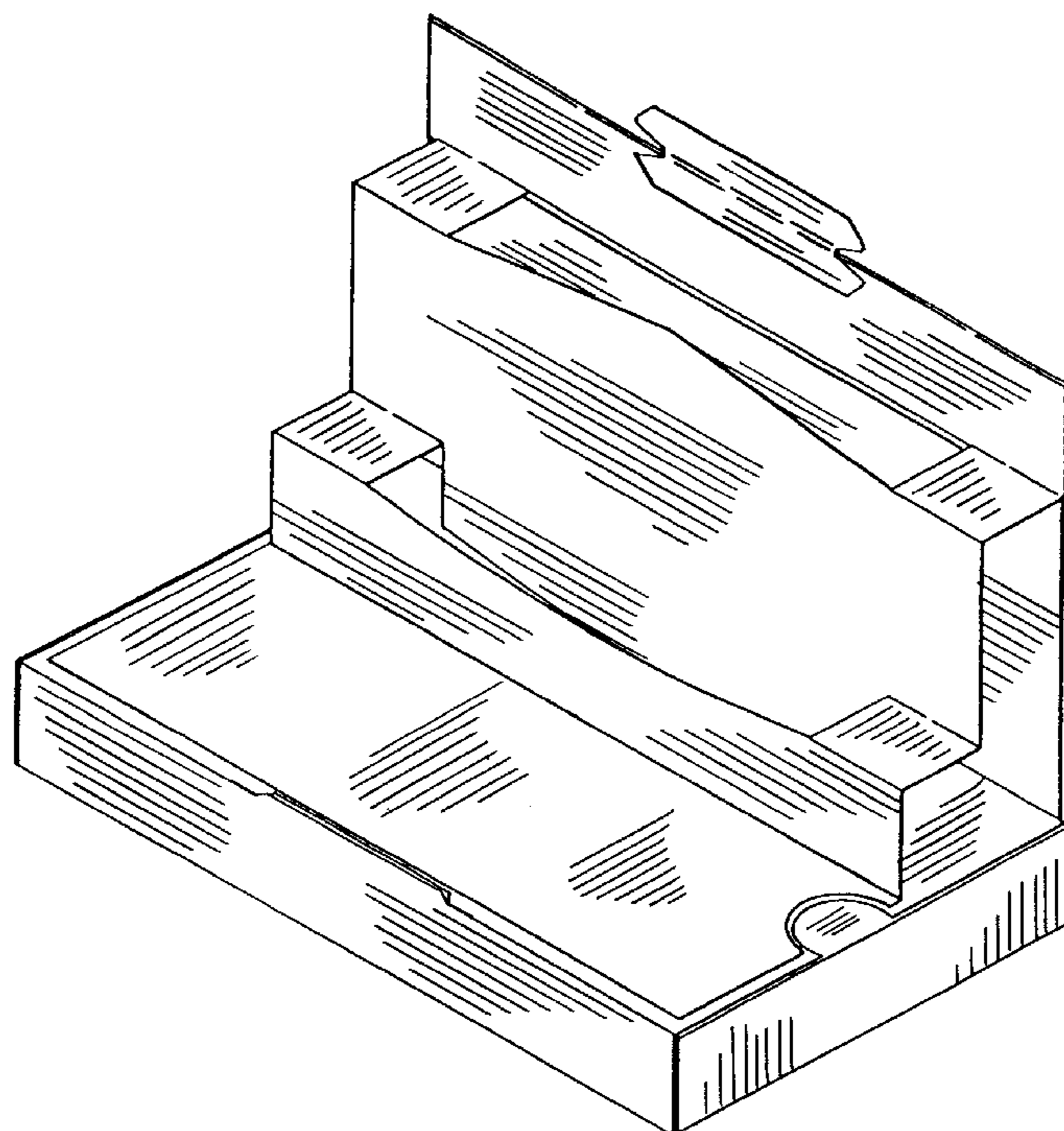
[57] **CLAIM**

The ornamental design of a display box, as shown and described.

DESCRIPTION

FIG. 1 is a perspective illustration of a display box showing our new design;
 FIG. 2 is a front elevation view of the box of FIG. 1;
 FIG. 3 is an end elevation view looking from the right end of FIG. 1;
 FIG. 4 is an end elevation view looking from the left end of FIG. 1;
 FIG. 5 is a top plan view of the box of FIG. 1;
 FIG. 6 is a bottom plan view of the box of FIG. 1;
 FIG. 7 is a rear elevation view of the box of FIG. 1;
 FIG. 8 is a perspective illustration of a second embodiment of the design of FIG. 1;
 FIG. 9 is a front elevation view of the box of FIG. 8;
 FIG. 10 is an end elevation view looking from the right end of FIG. 8;
 FIG. 11 is a top plan view of the box of FIG. 8;
 FIG. 12 is an end elevation view looking from the left end of the box of FIG. 8;
 FIG. 13 is a bottom plan view of the box of FIG. 8;
 FIG. 14 is a rear elevation view of the box of FIG. 8;
 FIG. 15 is a perspective illustration of a third embodiment of the design of FIG. 1;
 FIG. 16 is a front elevation view of the box of FIG. 15;
 FIG. 17 is an end elevation view looking from the right end of the box of FIG. 15;
 FIG. 18 is an end elevation view looking from the left end of the box of FIG. 15;
 FIG. 19 is a top plan view of the box of FIG. 15;
 FIG. 20 is a bottom plan view of the box of FIG. 15; and,
 FIG. 21 is a rear elevation view of the box of FIG. 15.

1 Claim, 6 Drawing Sheets



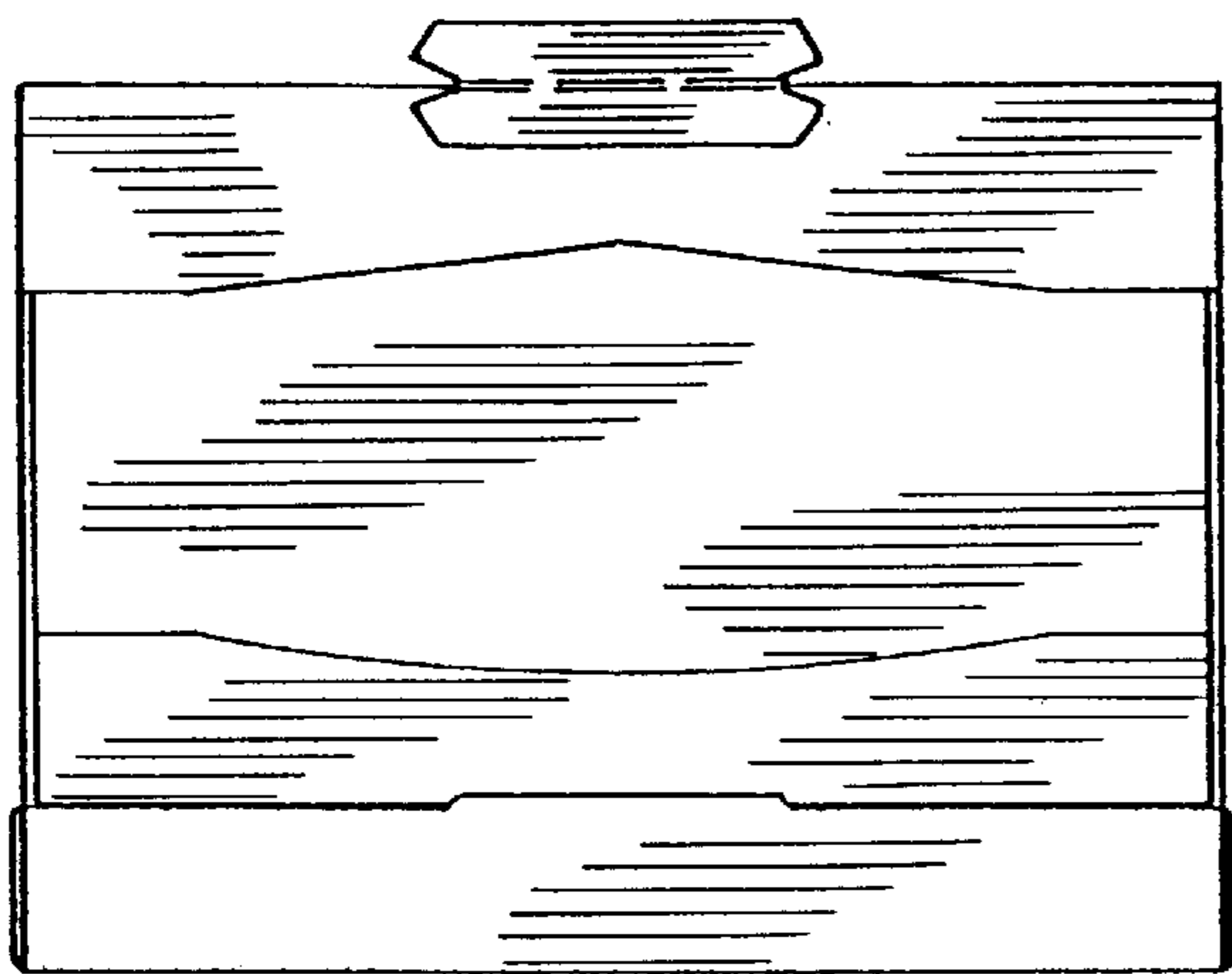
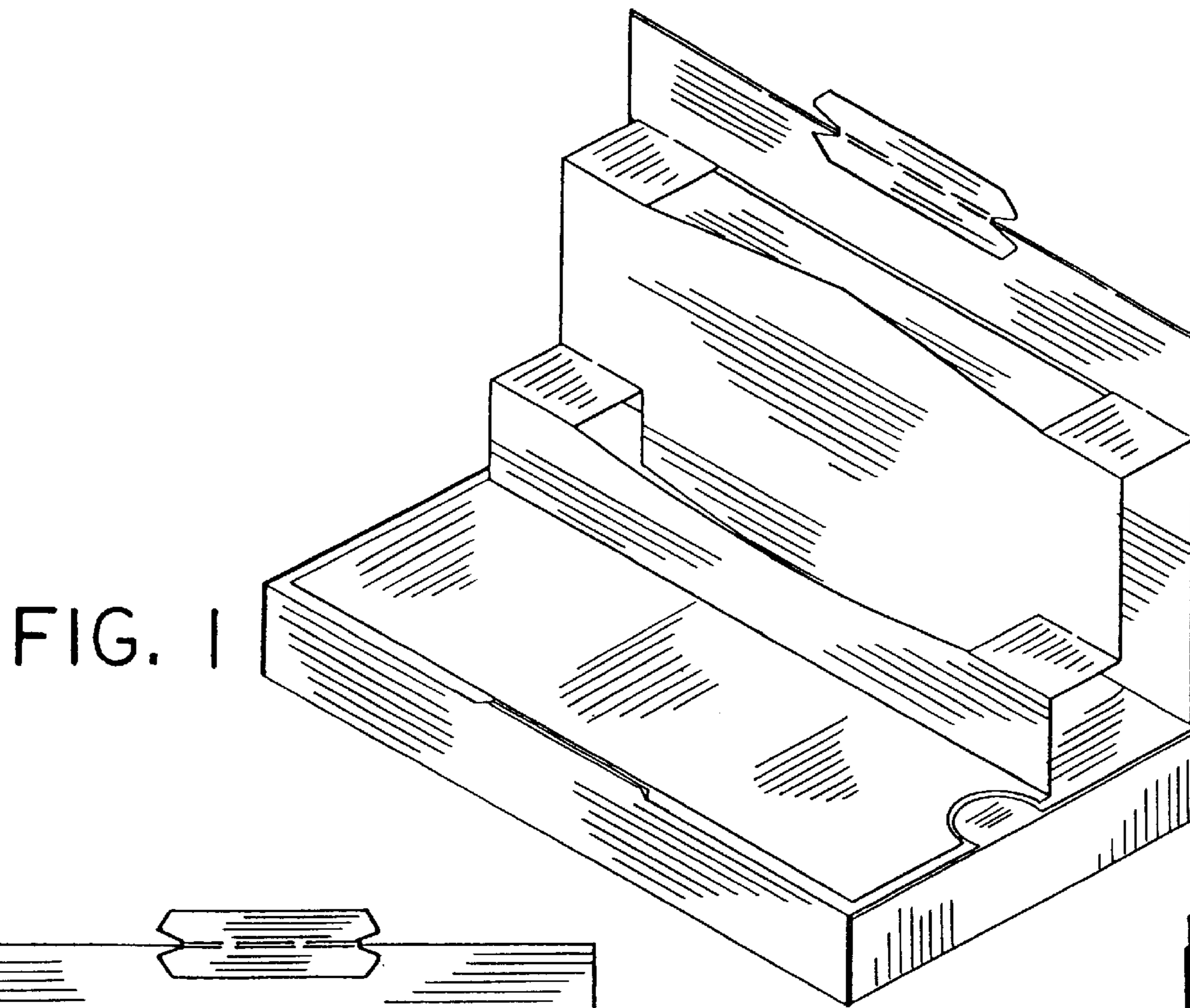


FIG. 2

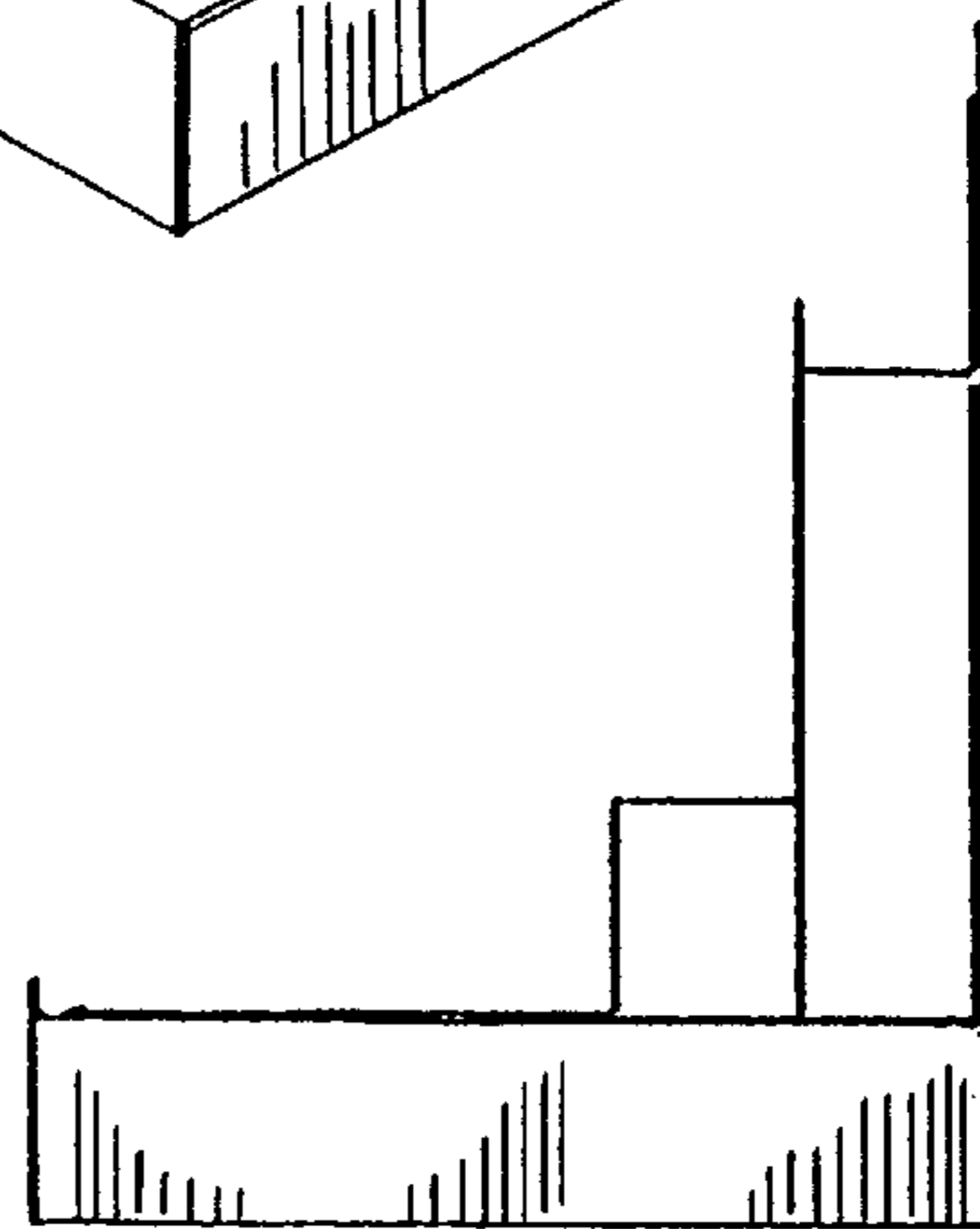


FIG. 3



FIG. 4

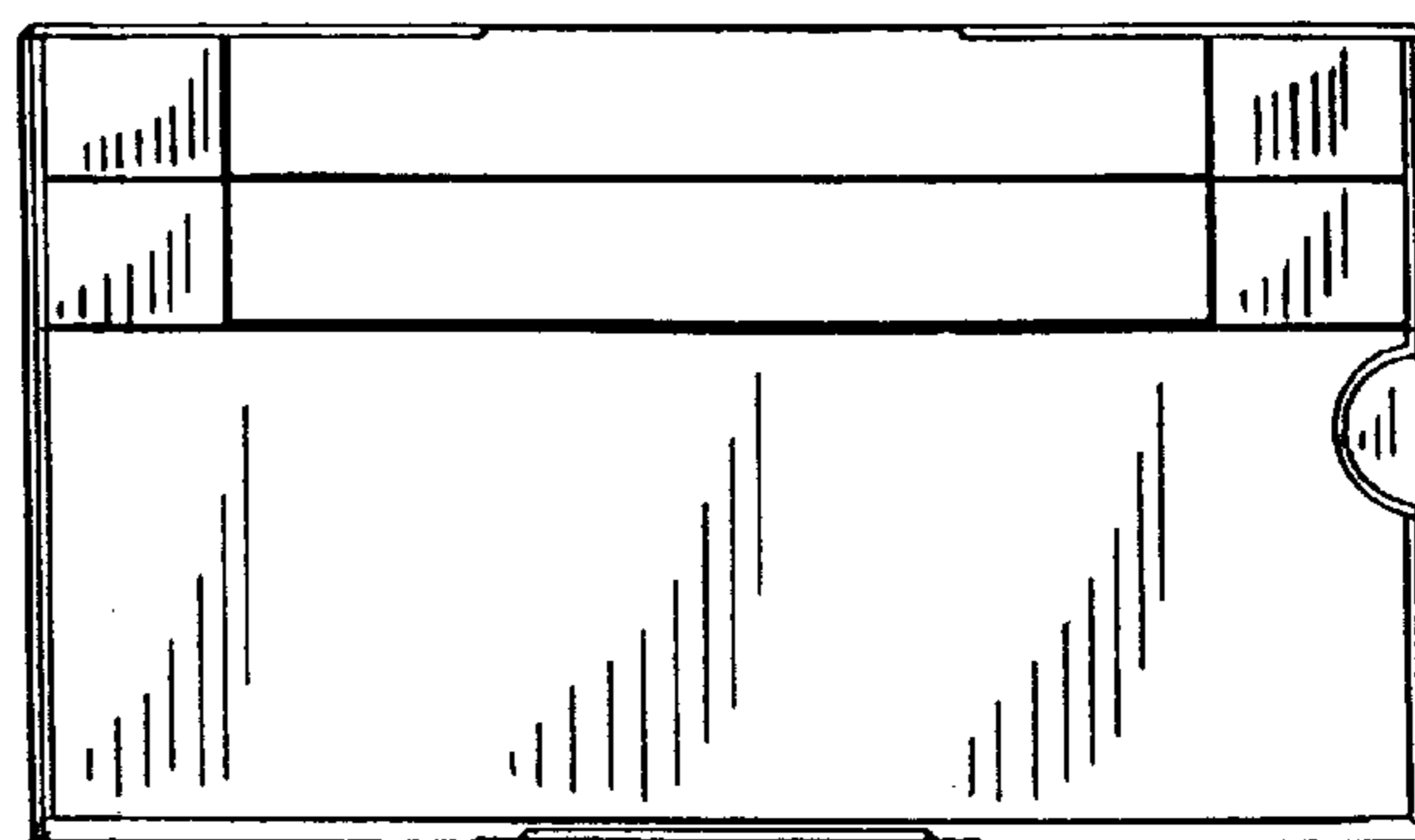


FIG. 5

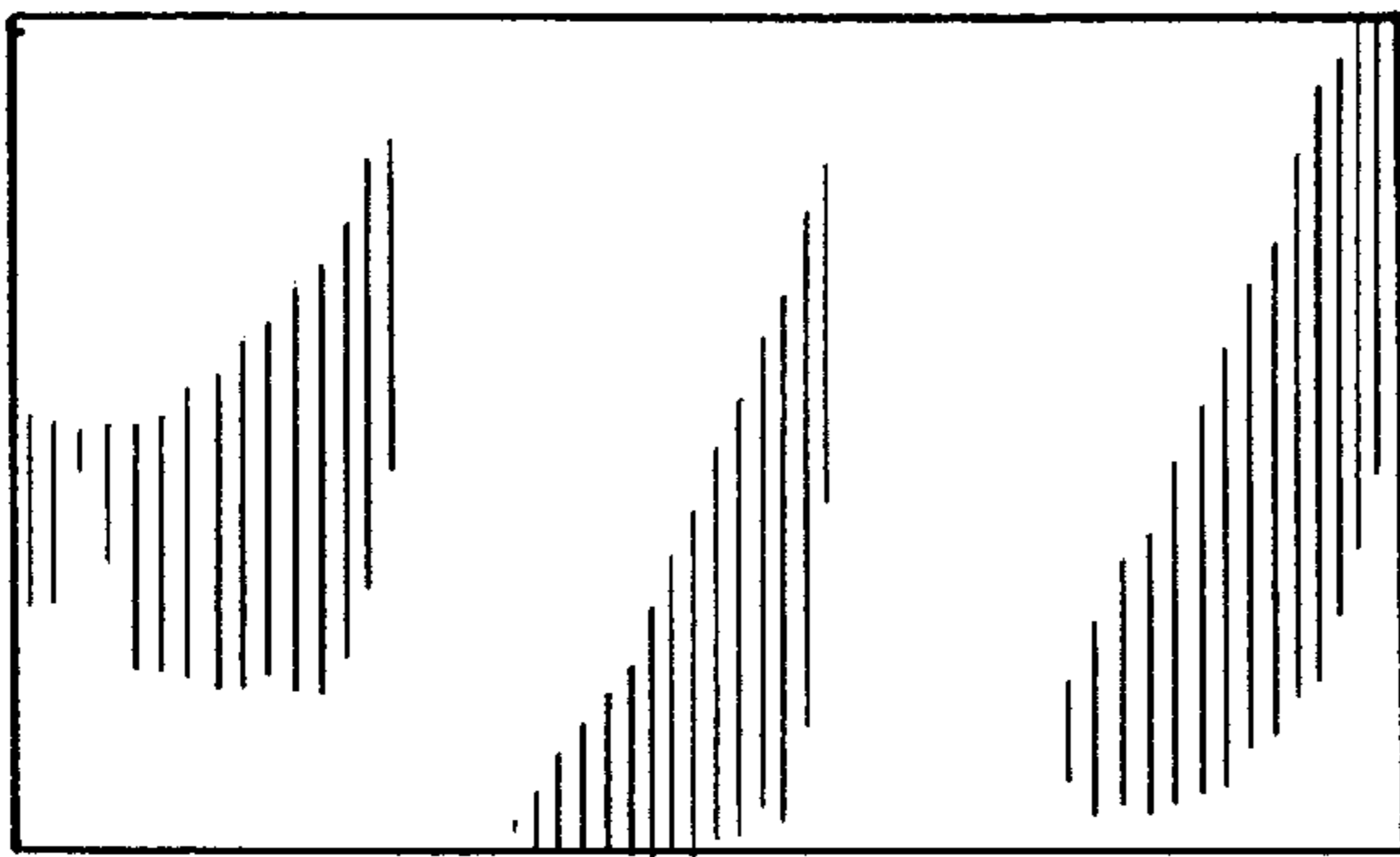


FIG. 6

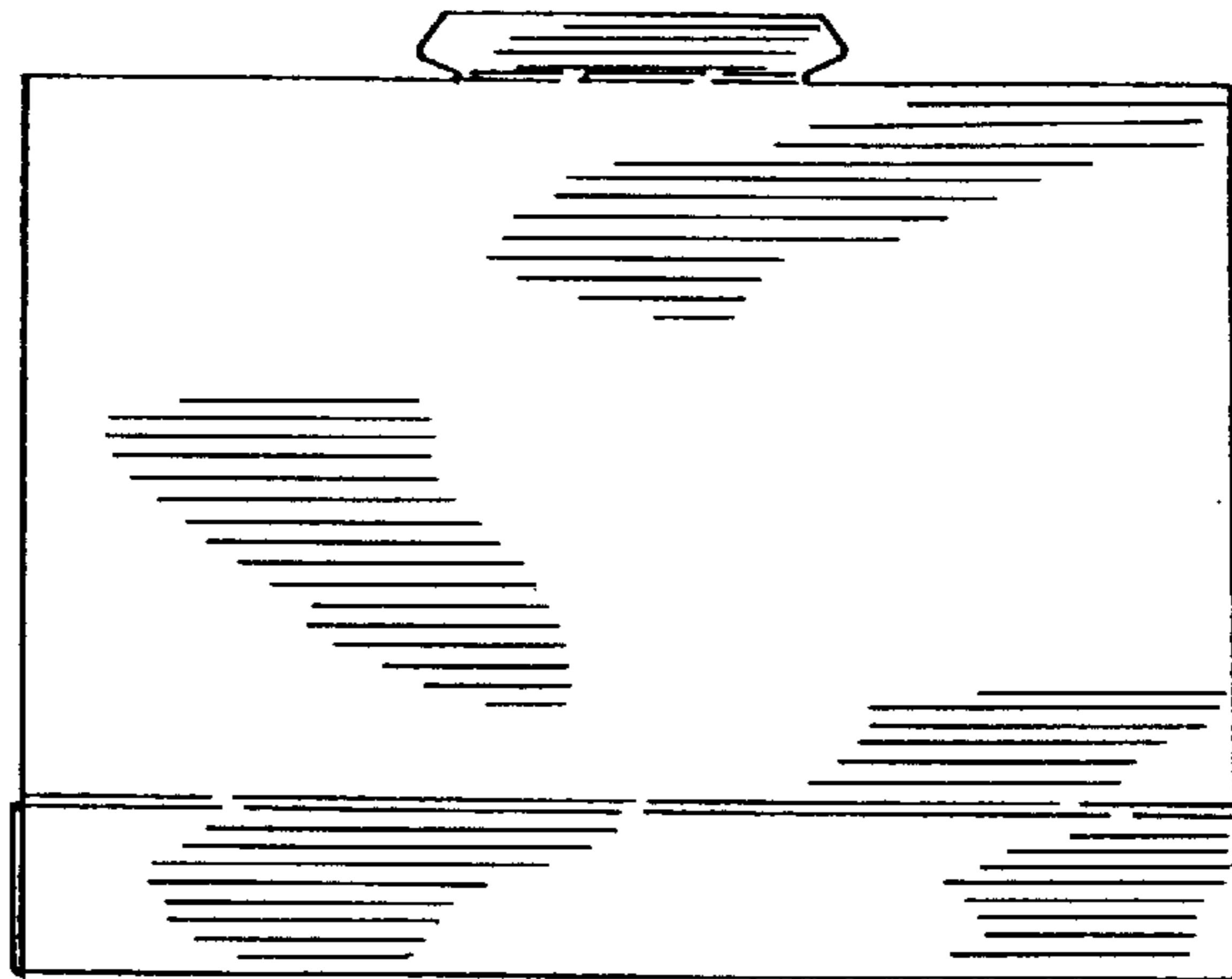


FIG. 7

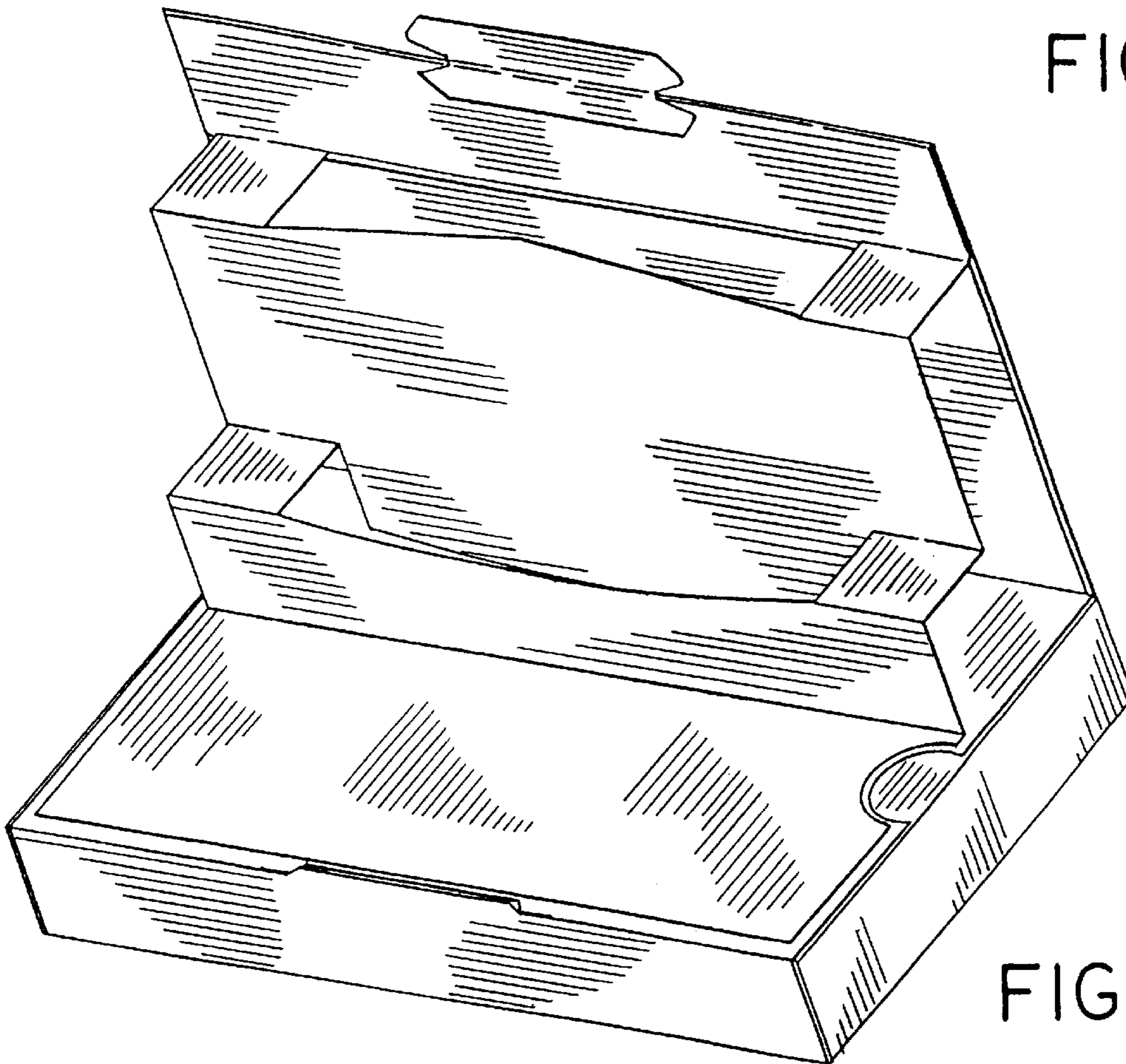


FIG. 8

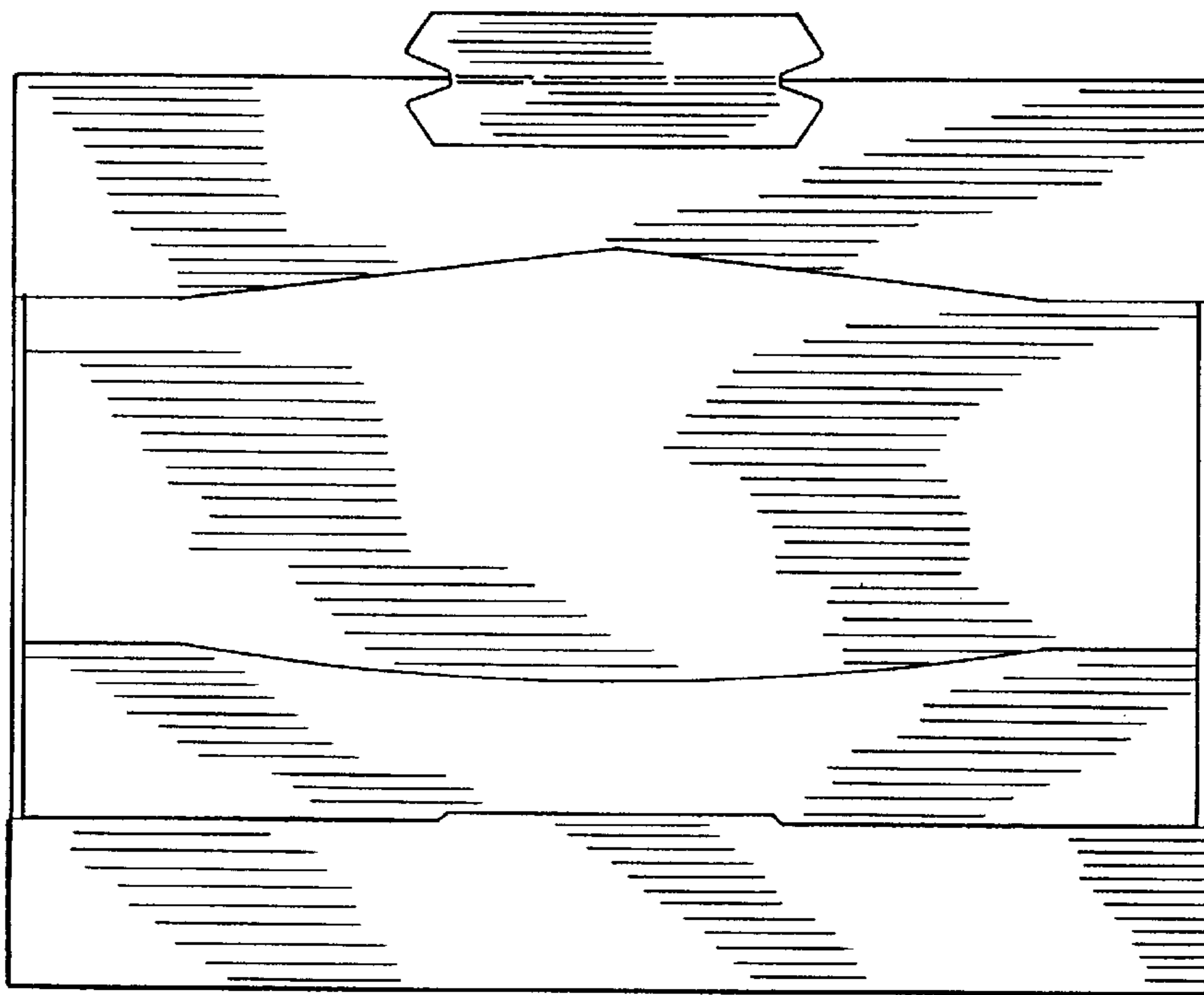


FIG. 9

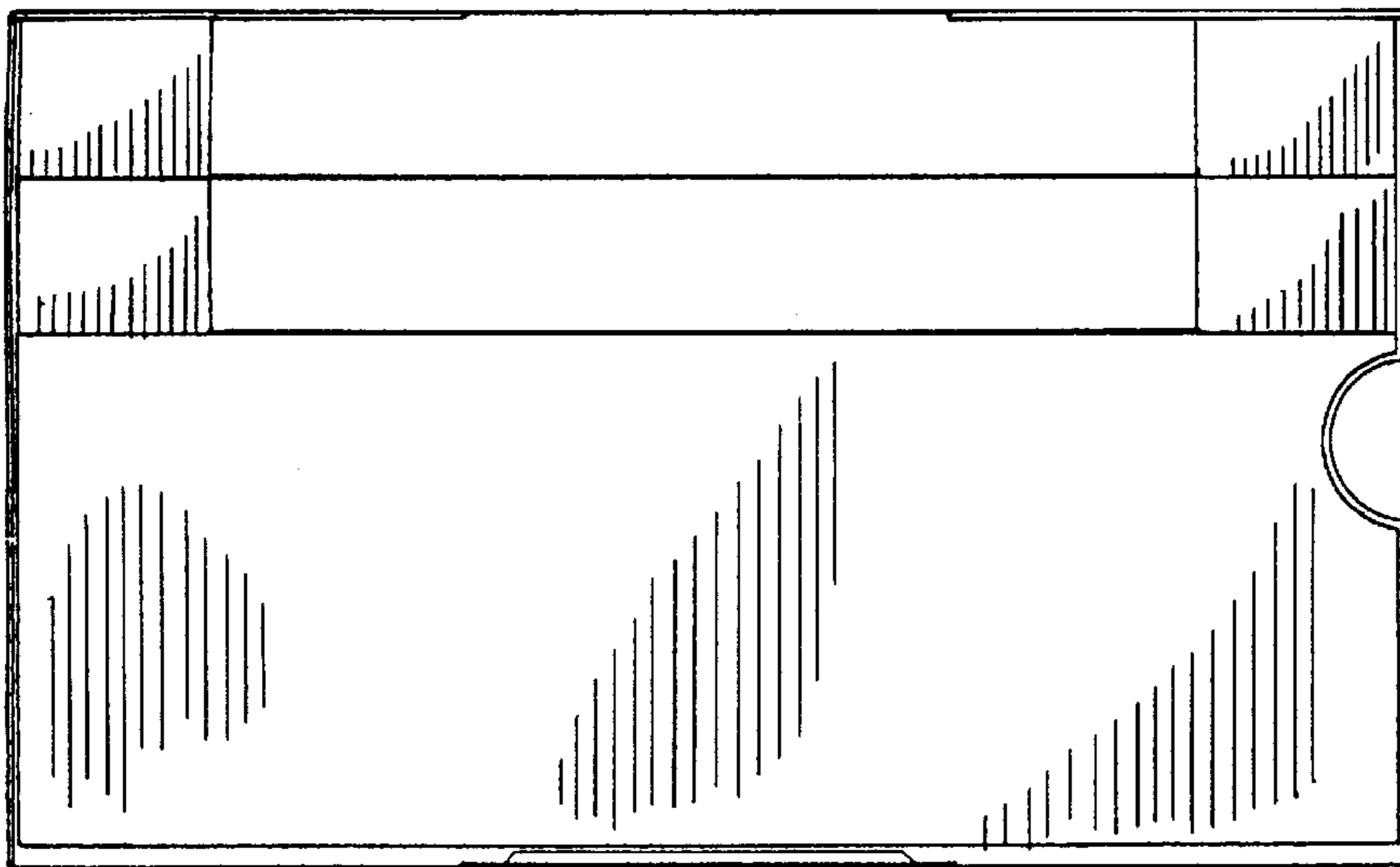
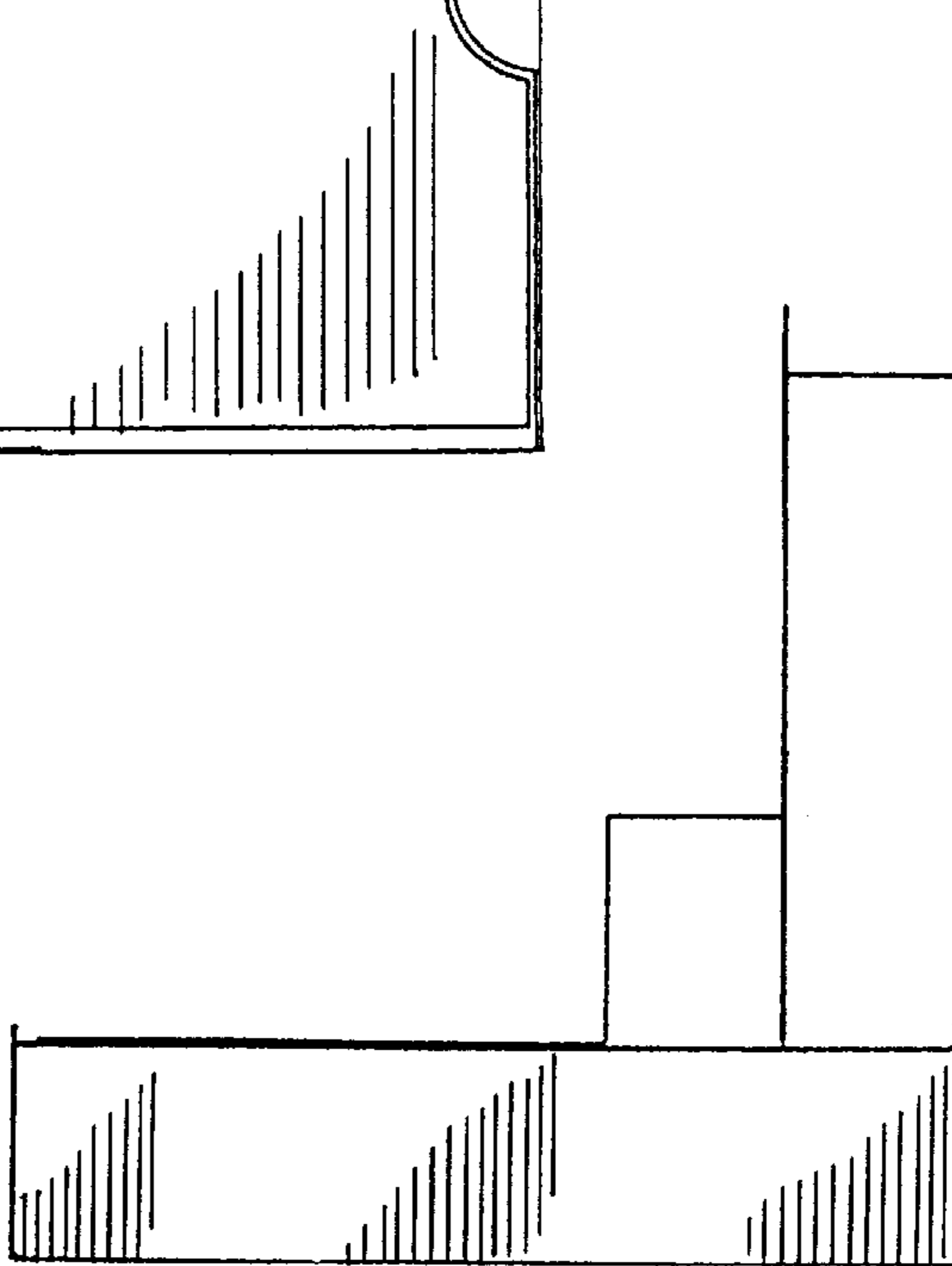
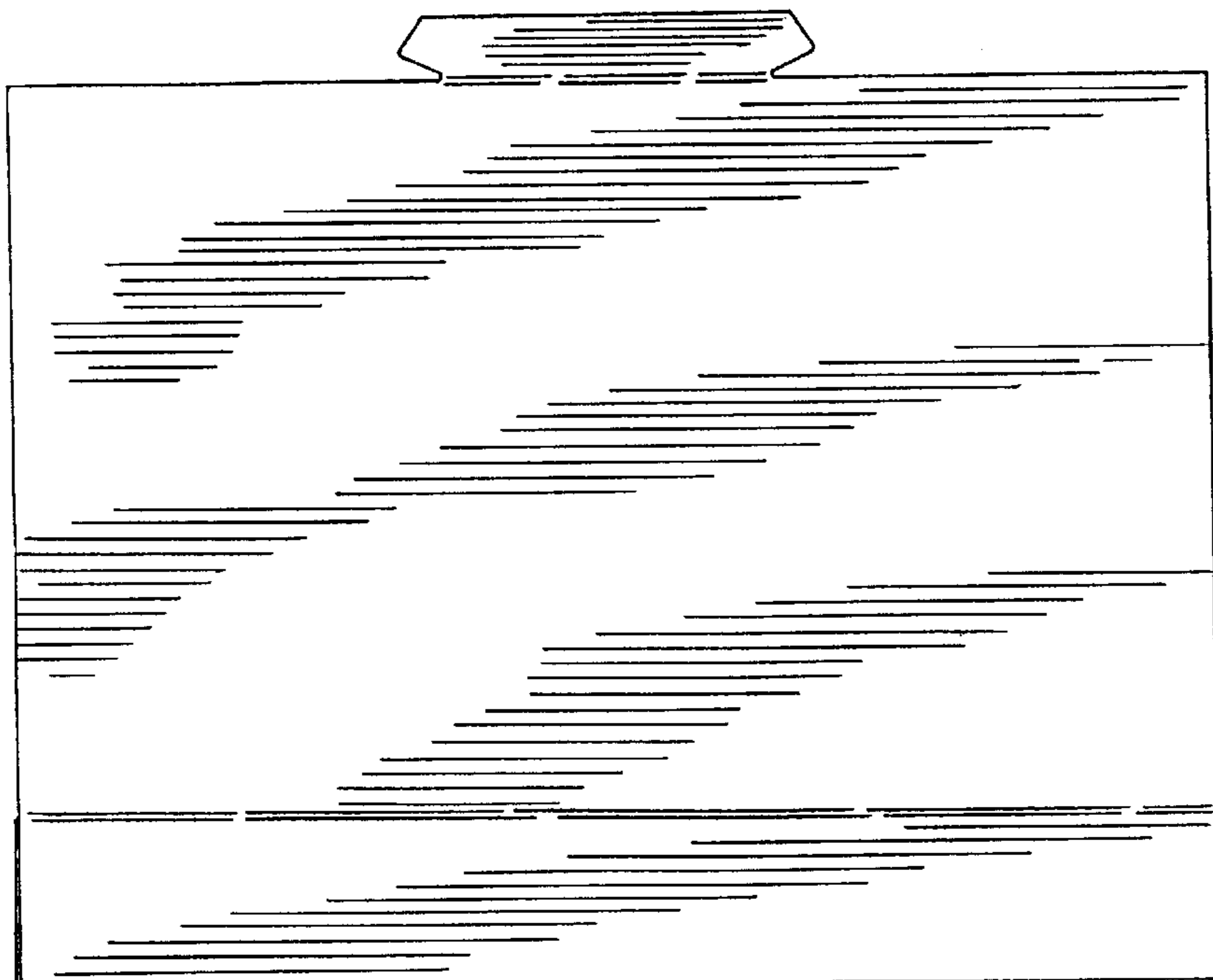
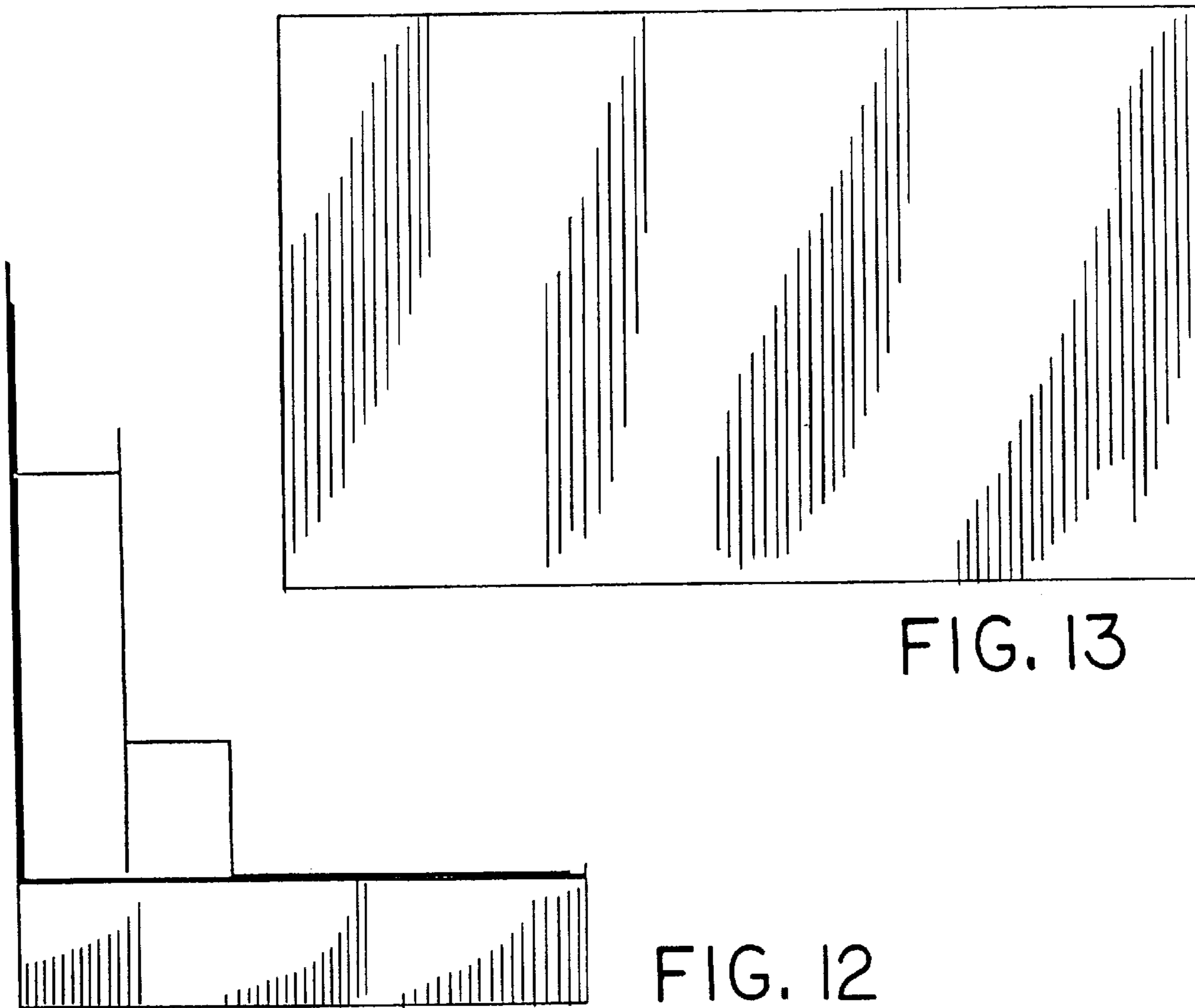


FIG. 10

FIG. 11





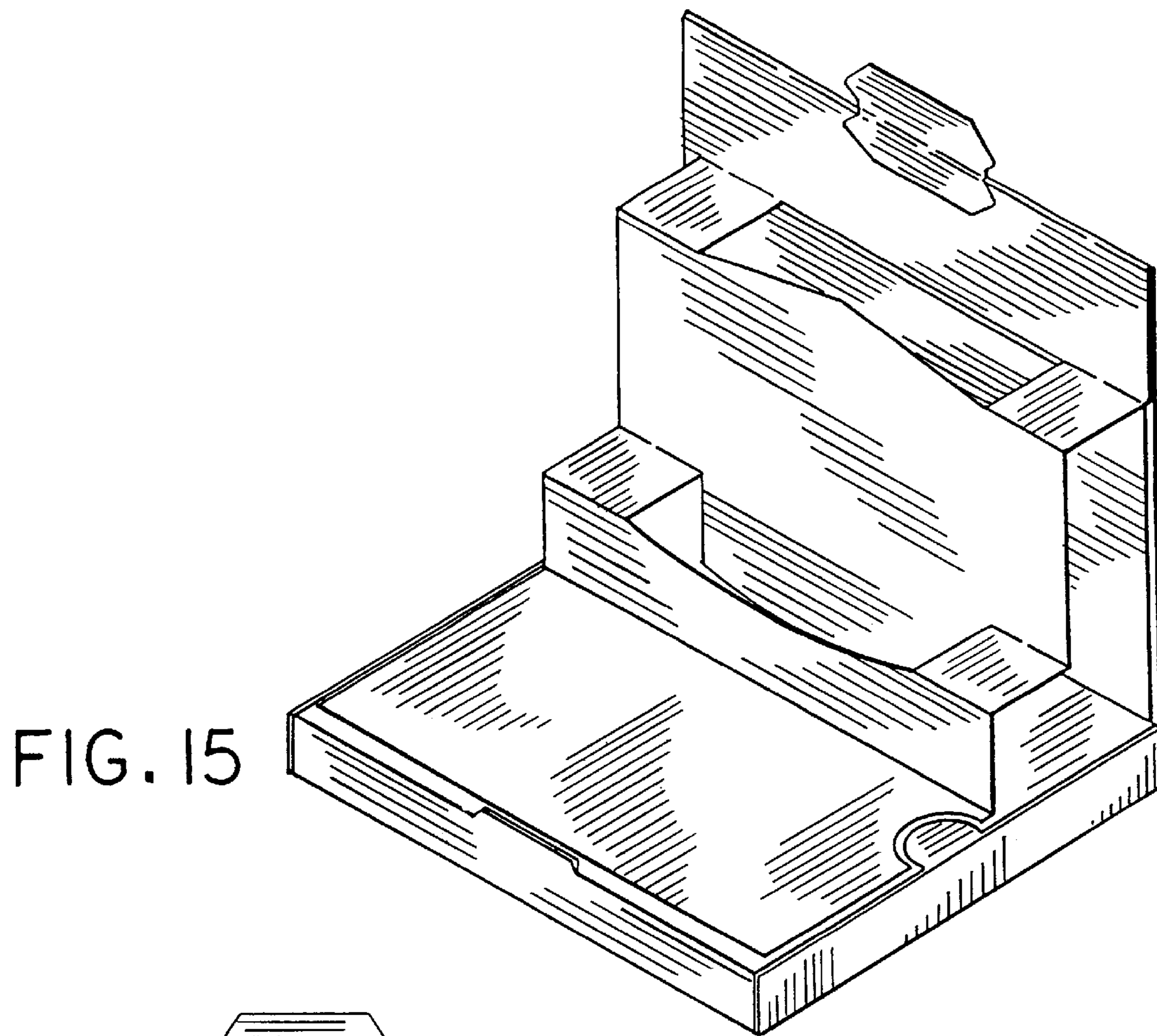


FIG. 15

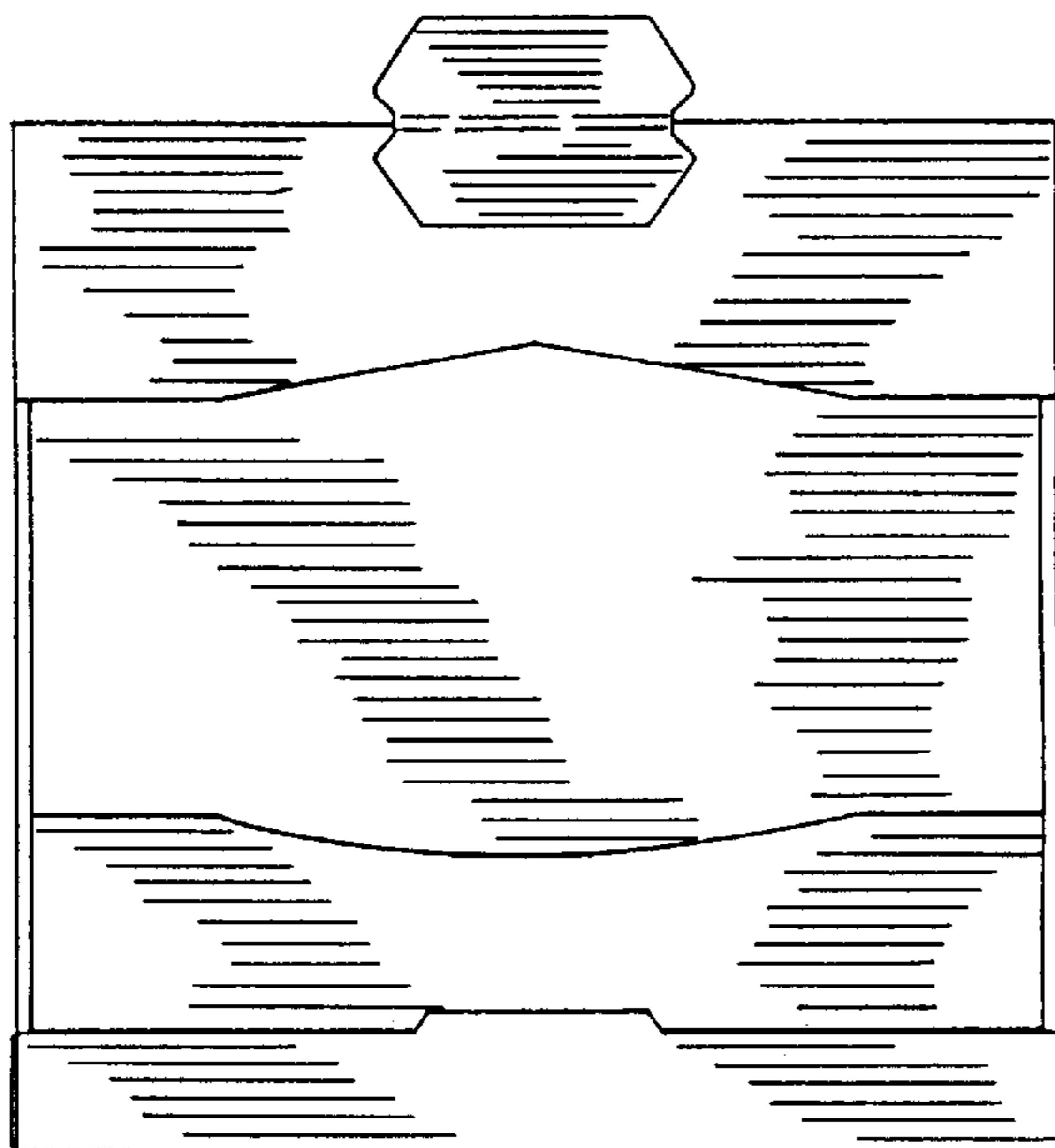


FIG. 16

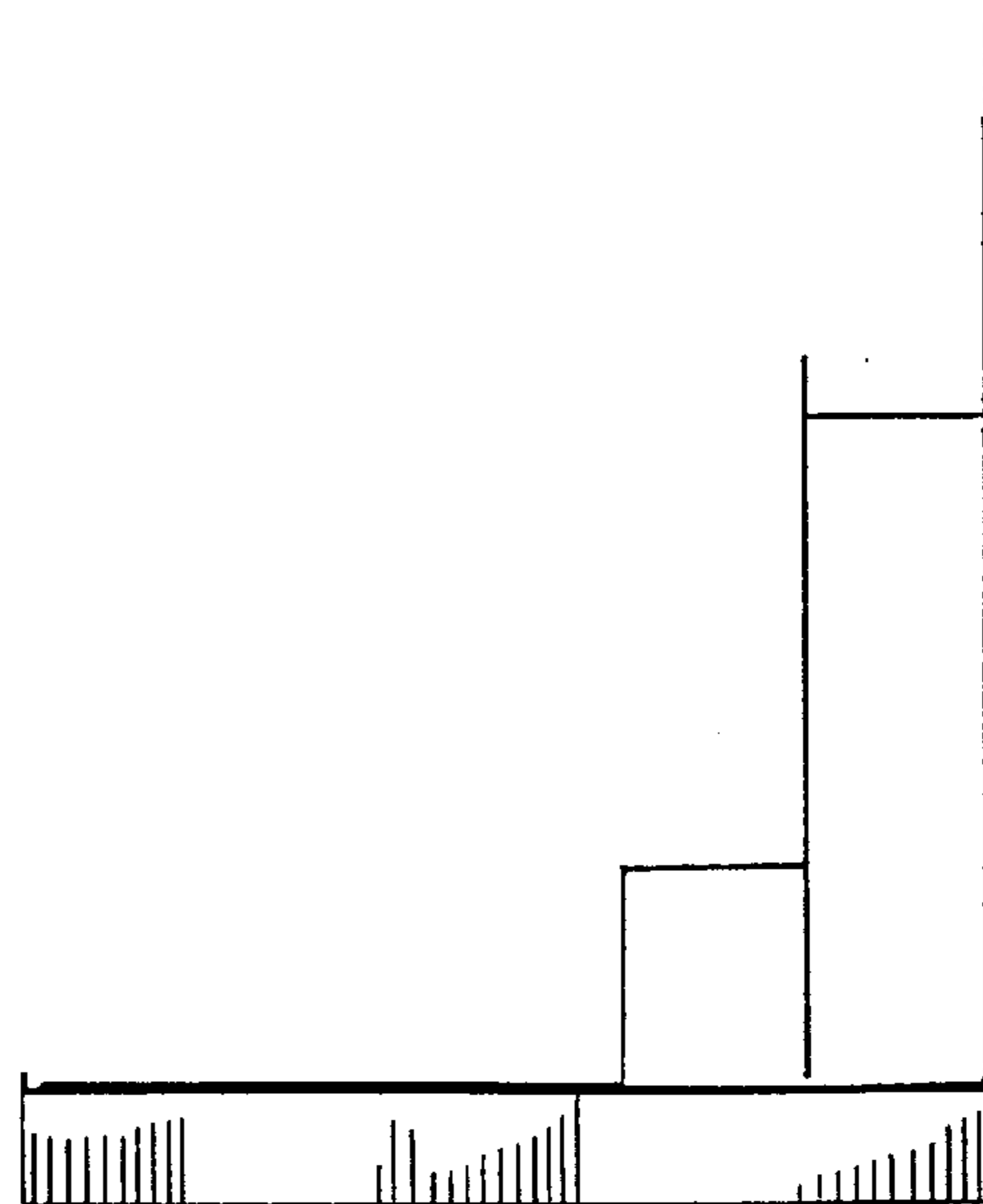


FIG. 17

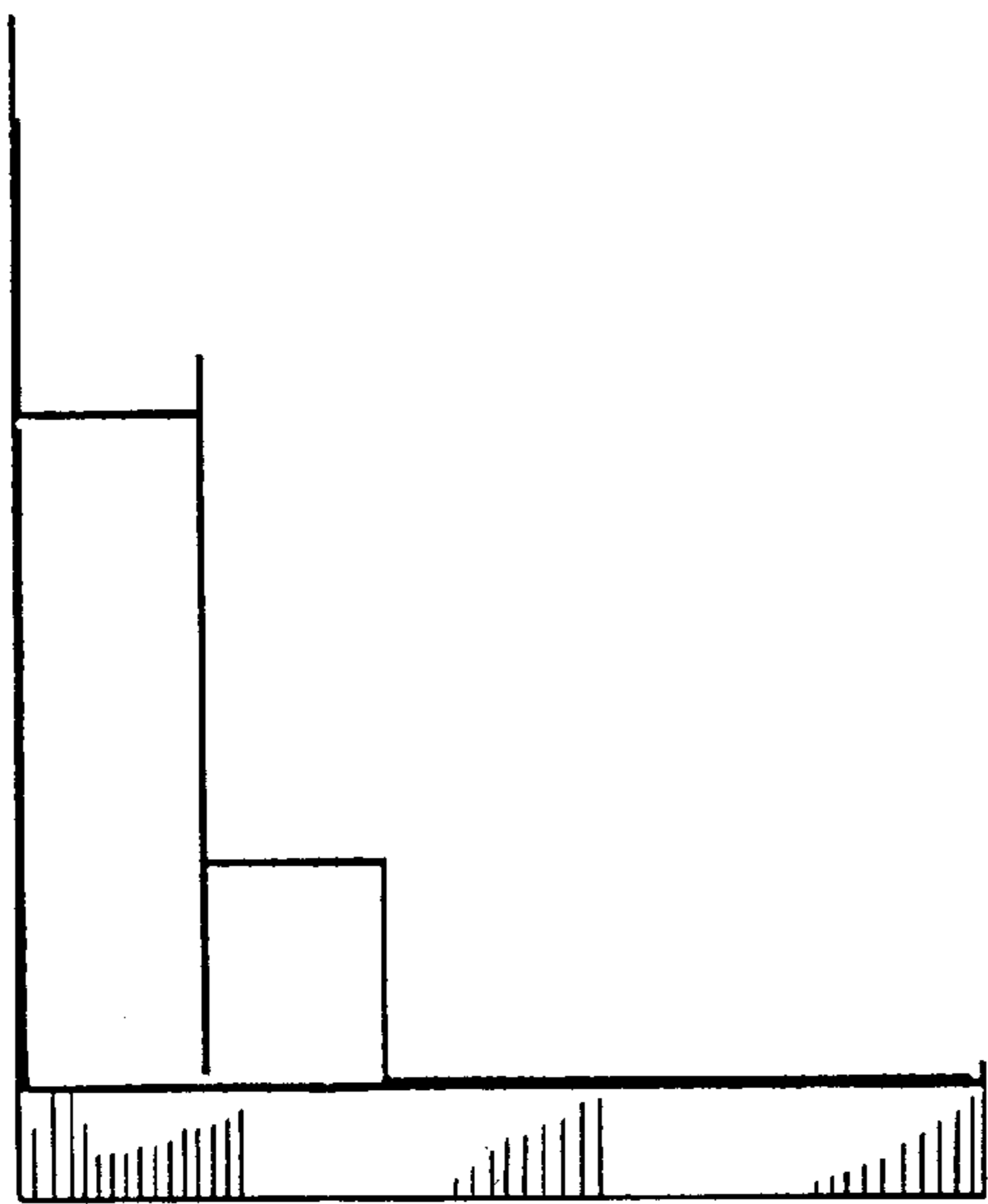


FIG. 18

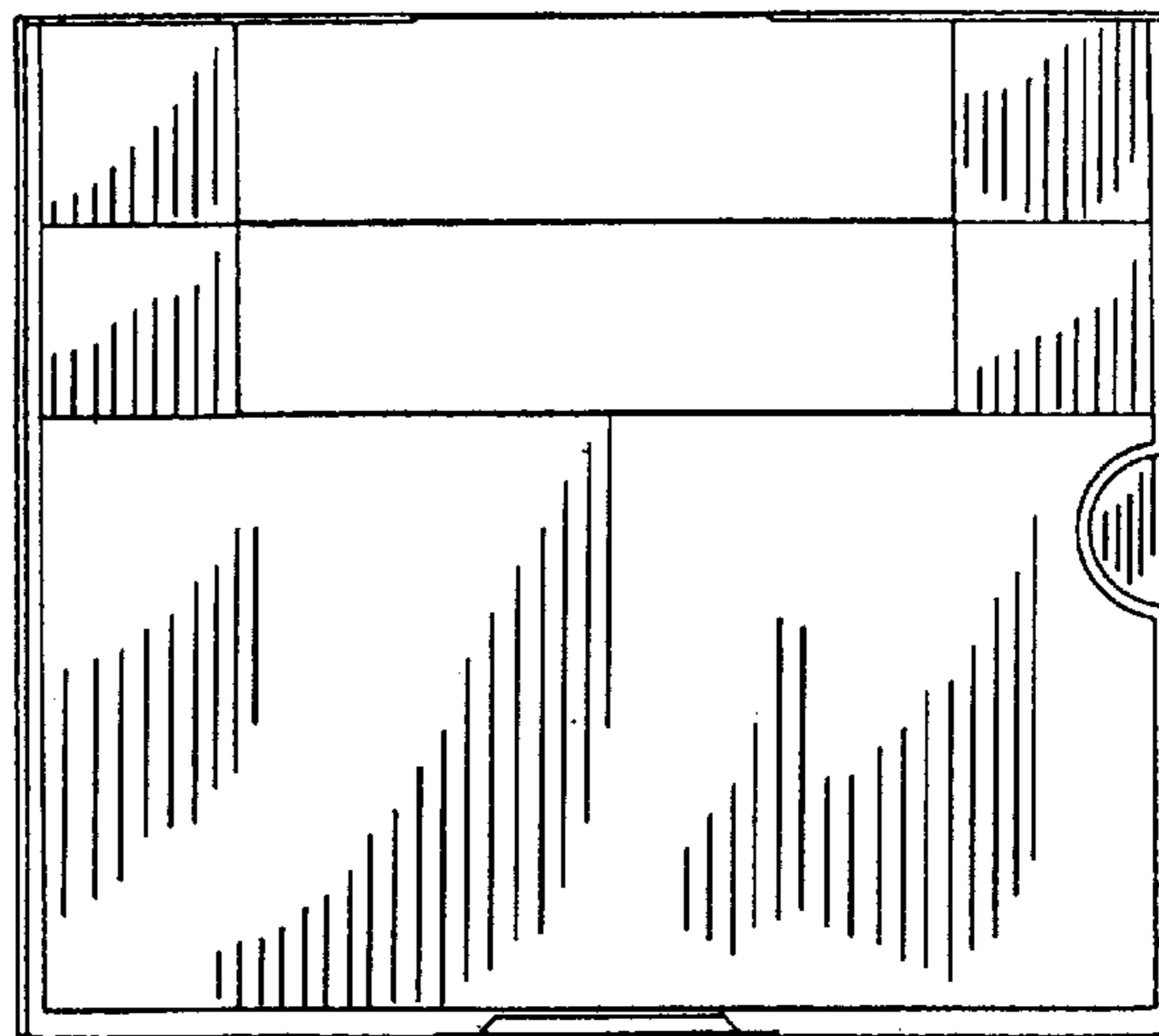


FIG. 19

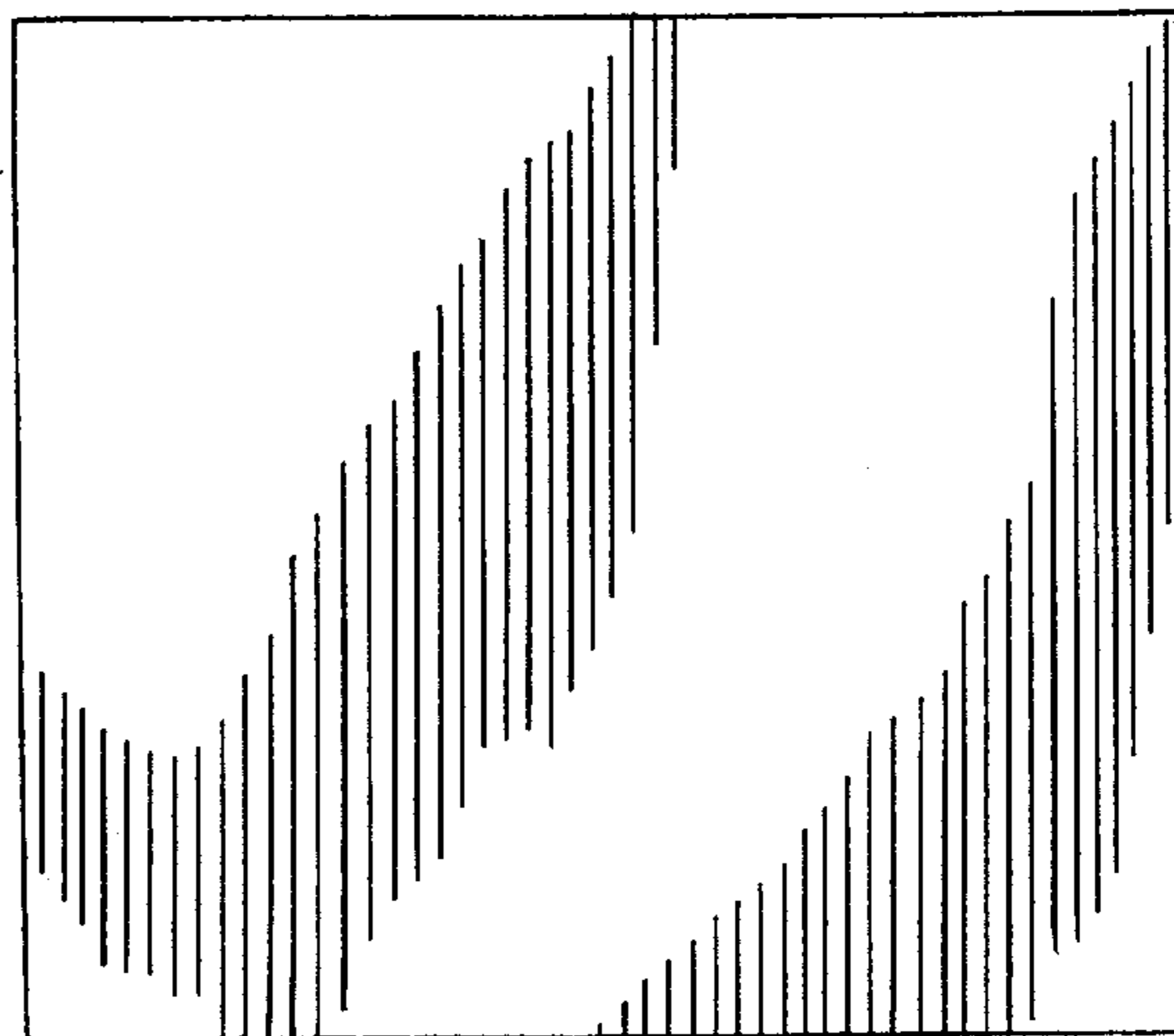


FIG. 20

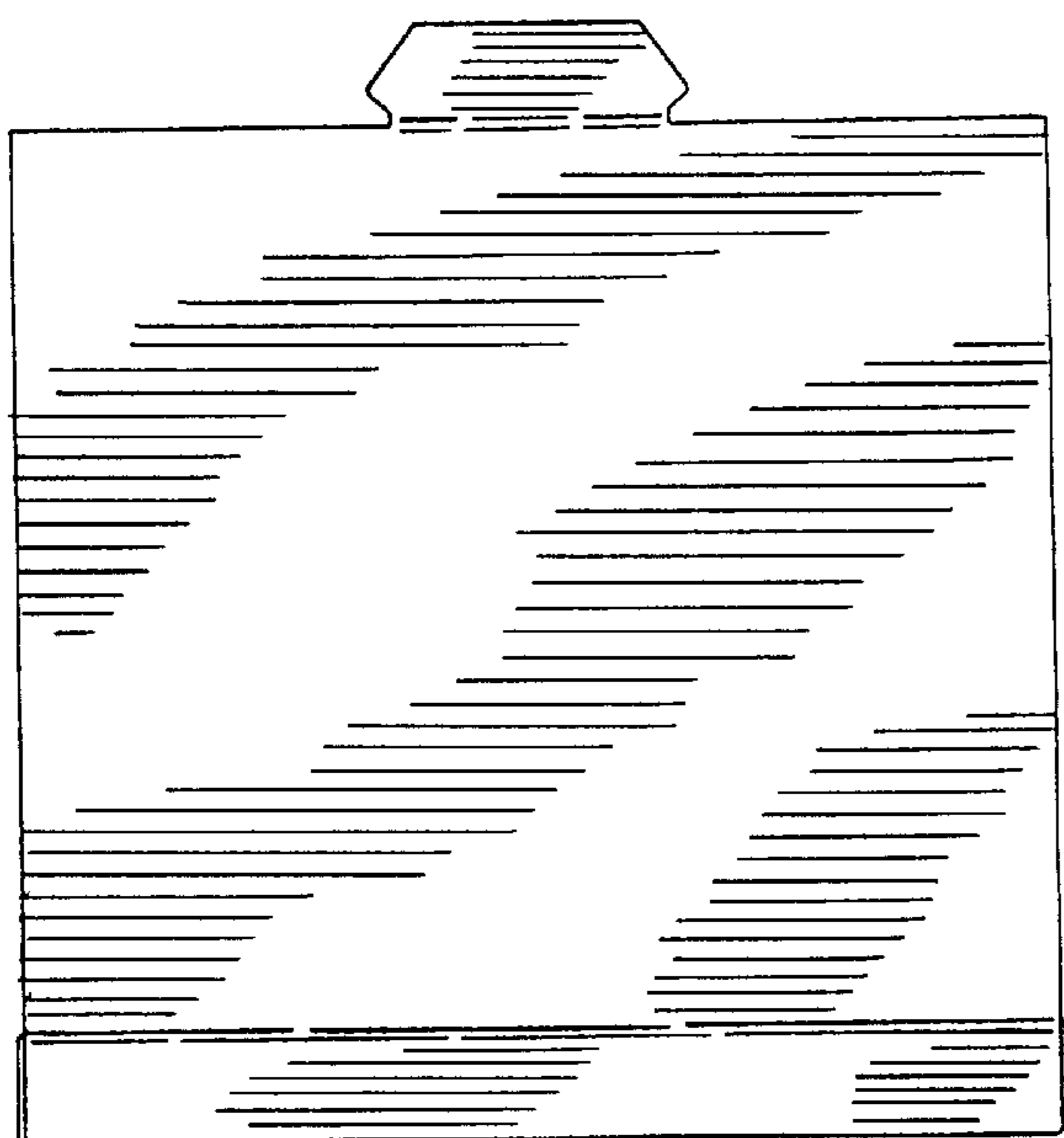


FIG. 21