



US00D395389S

United States Patent [19]

Liddie, Jr. et al.

[11] Patent Number: **Des. 395,389**

[45] Date of Patent: ****Jun. 23, 1998**

[54] **SPORT CAP HOLDER**

5,240,123 8/1993 Hawk 211/32

[76] Inventors: **Rupert A. Liddie, Jr.; Rupert A. Liddie, Sr.**, both of 2327 N. Wygant St., Portland, Oreg. 97217

OTHER PUBLICATIONS

Better Homes and Gardens, Jan. 1949, p. 152, dish holder, located in center of page.

[**] Term: **14 Years**

Primary Examiner—Holly Baynham
Attorney, Agent, or Firm—John D. Gugliotta

[21] Appl. No.: **51,416**

[57] CLAIM

[22] Filed: **Mar. 11, 1996**

The ornamental design for a sport cap holder, as shown and described.

[51] **LOC (6) Cl.** **08-05**

[52] **U.S. Cl.** **D8/370**

[58] **Field of Search** D8/370, 373; D6/556; 211/32; 248/309.1

DESCRIPTION

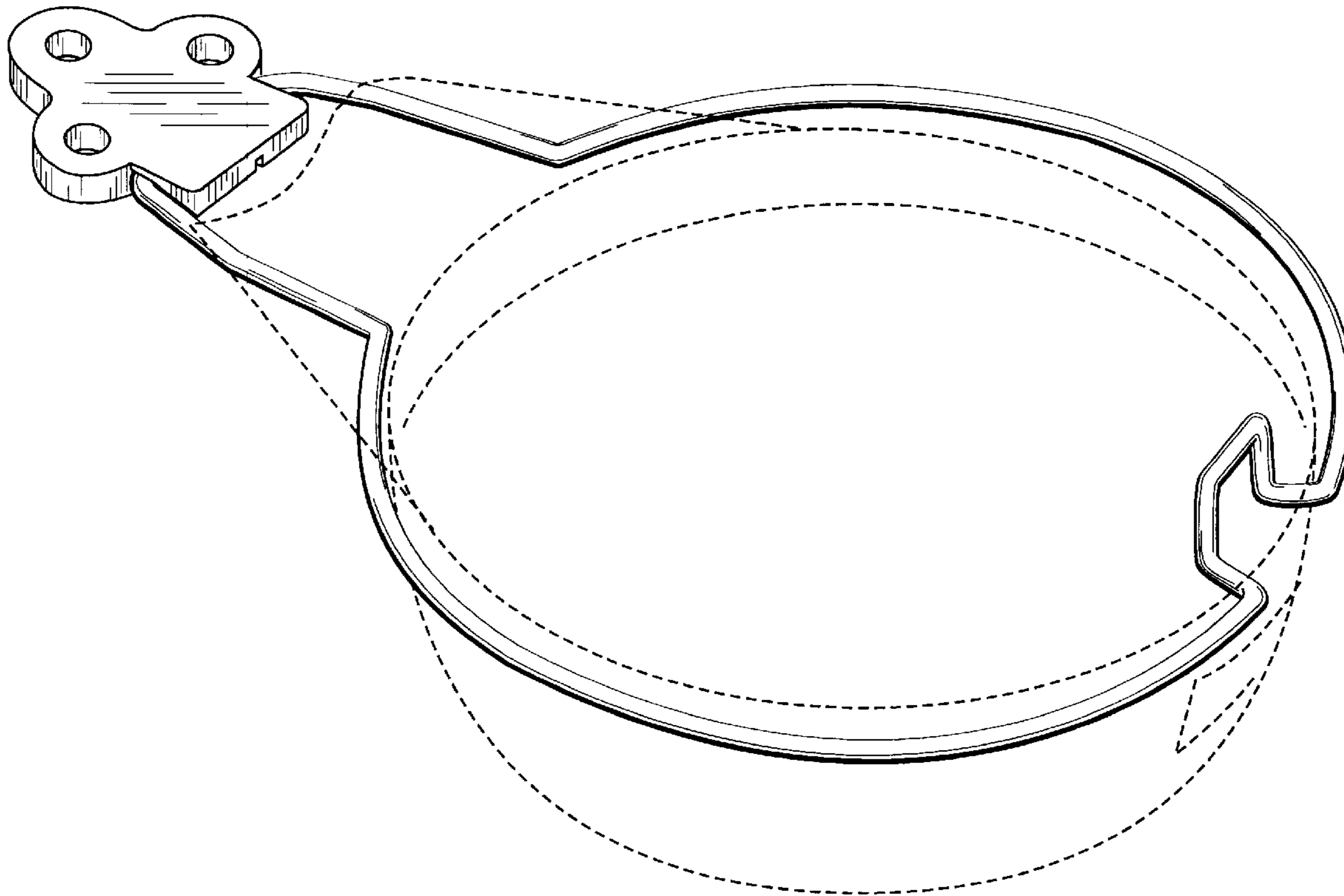
[56] References Cited

U.S. PATENT DOCUMENTS

1,379,605	5/1921	Allen .	
1,557,251	10/1925	Hamlin	211/32 X
1,700,823	2/1929	Dellinger	211/32
1,728,249	9/1929	Nagle	211/32
2,643,773	6/1953	Nicholson	211/32
3,046,049	7/1962	Paxton	296/97.5
5,092,472	3/1992	Jones	211/30

FIG. 1 is a perspective view of a sport cap holder showing my new design;
FIG. 2 is a front elevational view thereof;
FIG. 3 is a left side elevational view thereof, the opposite side being a mirror image;
FIG. 4 is a top plan view thereof; and,
FIG. 5 is a bottom plan view thereof.
The broken line showing of a cap is for illustrative purposes only and forms no part of the claimed design.

1 Claim, 3 Drawing Sheets



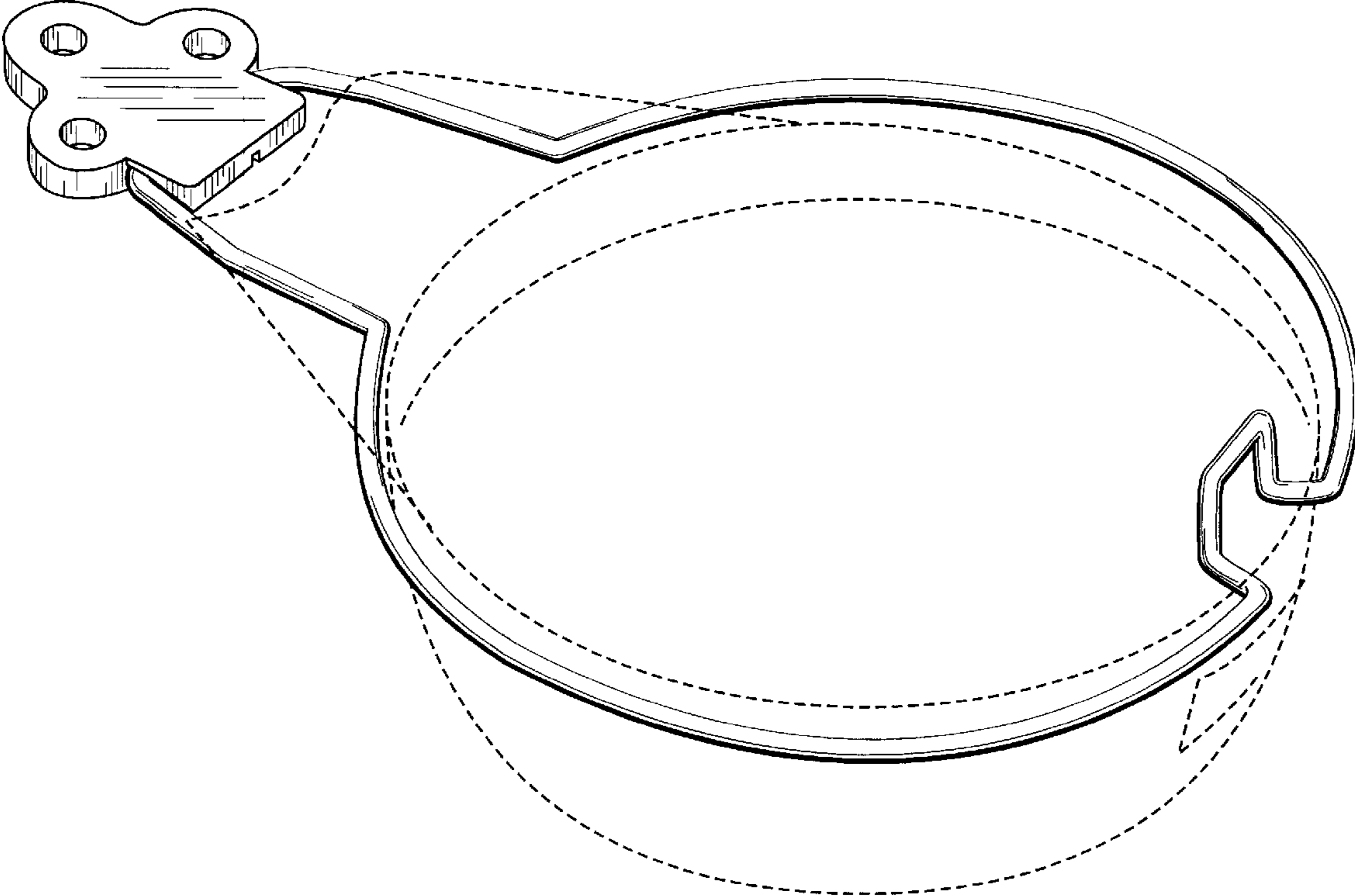


FIG. 1

FIG. 2

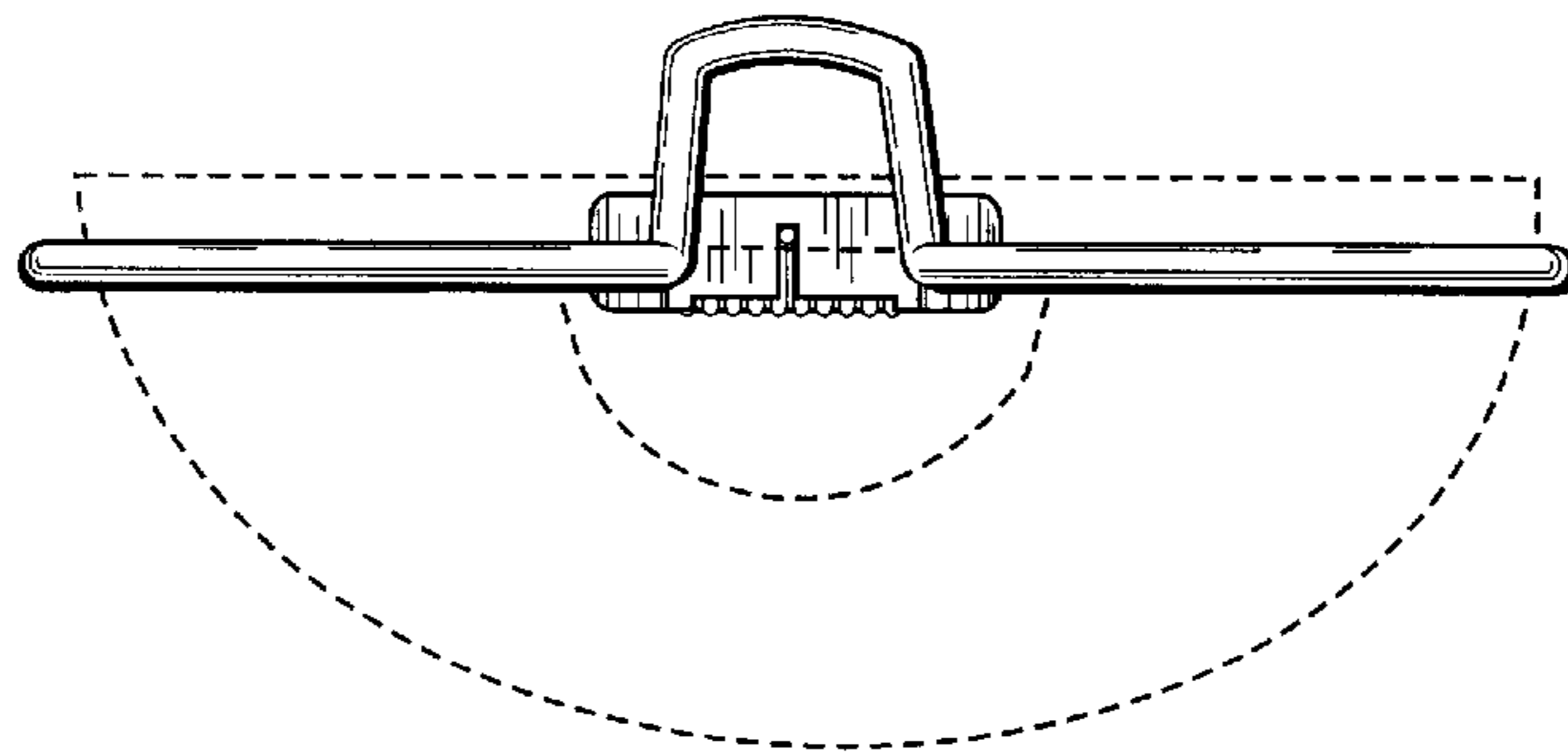


FIG. 3

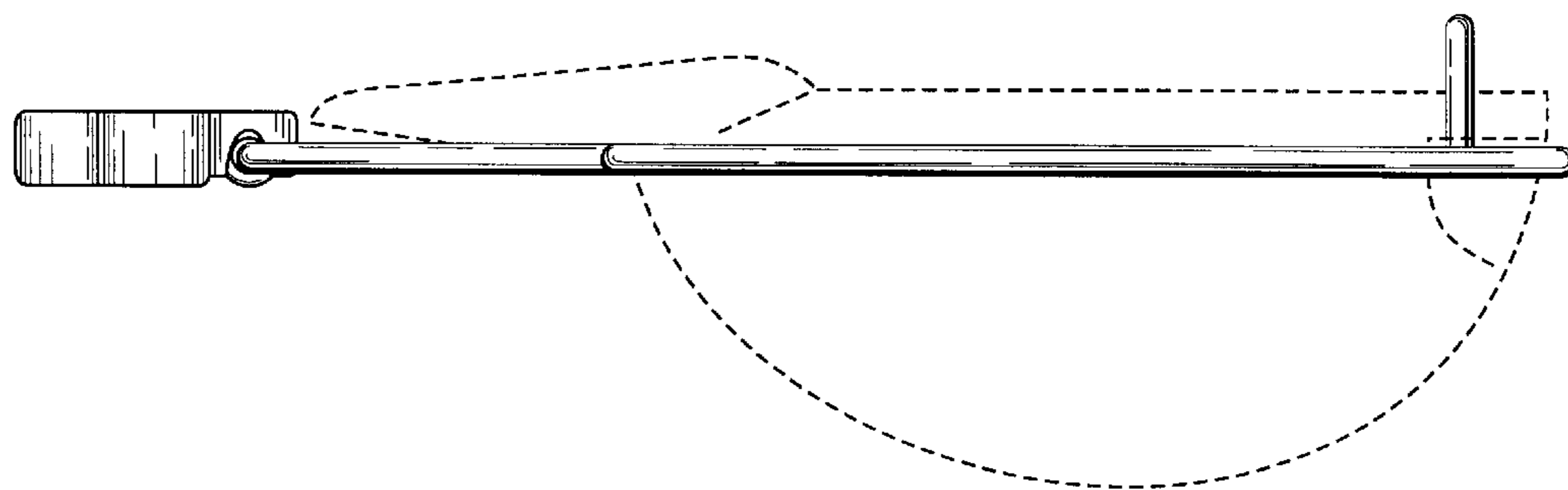


FIG. 4

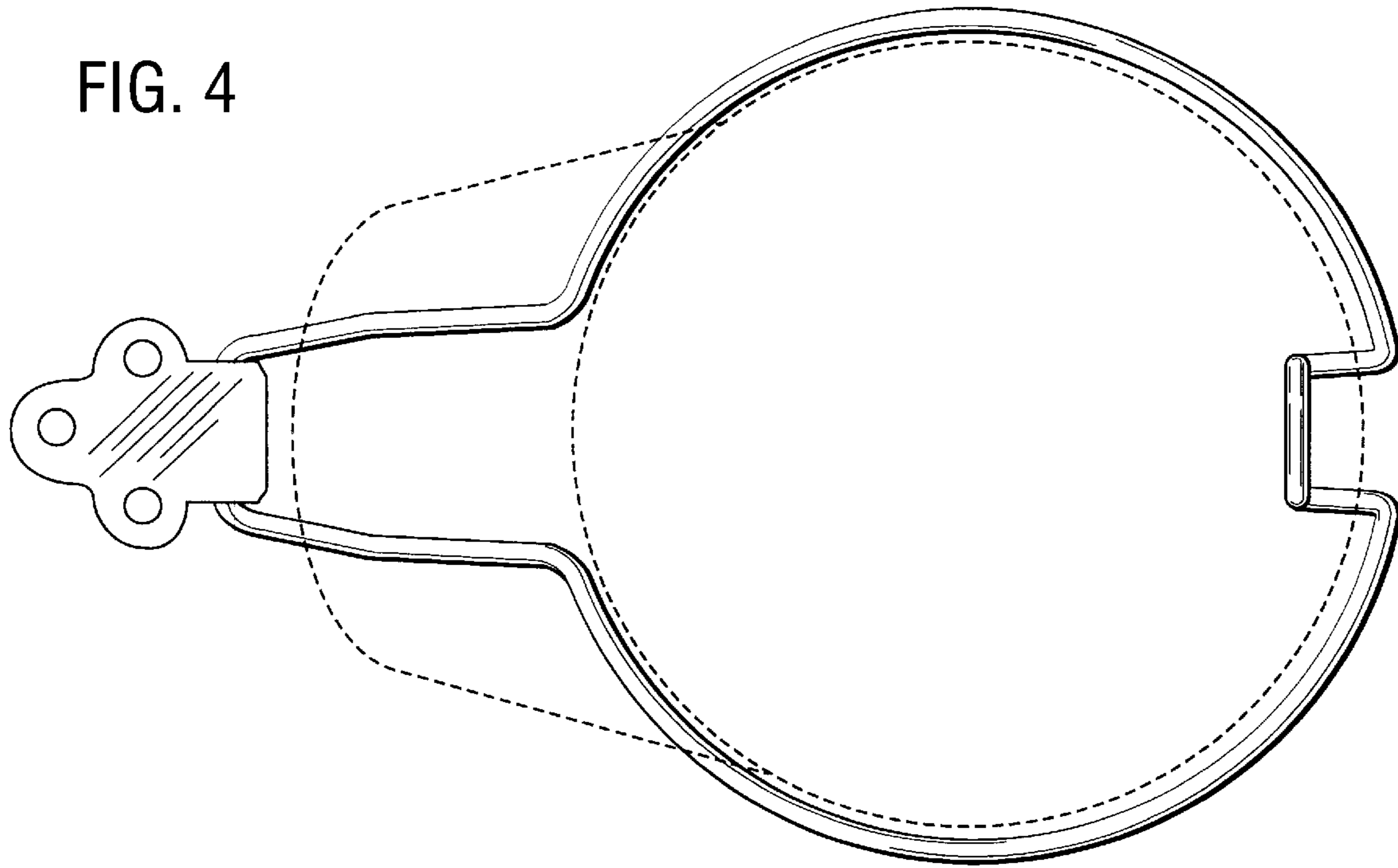


FIG. 5

