



US00D395387S

United States Patent [19]

[11] **Patent Number: Des. 395,387**

Snider

[45] **Date of Patent: **Jun. 23, 1998**

[54] **ERGONOMIC HANDLE FOR A PNEUMATIC DRILL**

Black & Decker drill, dated Jan. 1, 1985 p. 221 Serial No. 1489.

[75] Inventor: **Philip A. Snider**, Hicksville, Ohio

Primary Examiner—James M. Gandy

[73] Assignee: **Cooper Industries, Inc.**, Houston, Tex.

Assistant Examiner—J. H. Musgrove

[**] Term: **14 Years**

Attorney, Agent, or Firm—Eddie E. Scott; William Bruce Patterson; Charlie Neff

[21] Appl. No.: **685,701**

[57] **CLAIM**

[22] Filed: **Apr. 15, 1991**

The ornamental design for an ergonomic handle for a pneumatic drill, as shown and described.

[51] **LOC (6) Cl. 08-01**

DESCRIPTION

[52] **U.S. Cl. D8/68**

[58] **Field of Search** D8/68; 173/170; 81/54, 57.11, 57.13

FIG. 1 is a left-side elevational view; FIG. 2 is a right-side elevational view; FIG. 3 is a top-plan view; FIG. 4 is a front-elevational view; FIG. 5 is a rear-elevational view; and, FIG. 6 is as bottom-plan view thereof.

[56] **References Cited**

U.S. PATENT DOCUMENTS

D. 178,227 7/1956 Ernest D8/68
D. 259,392 6/1981 Elmessaar et al. D8/68

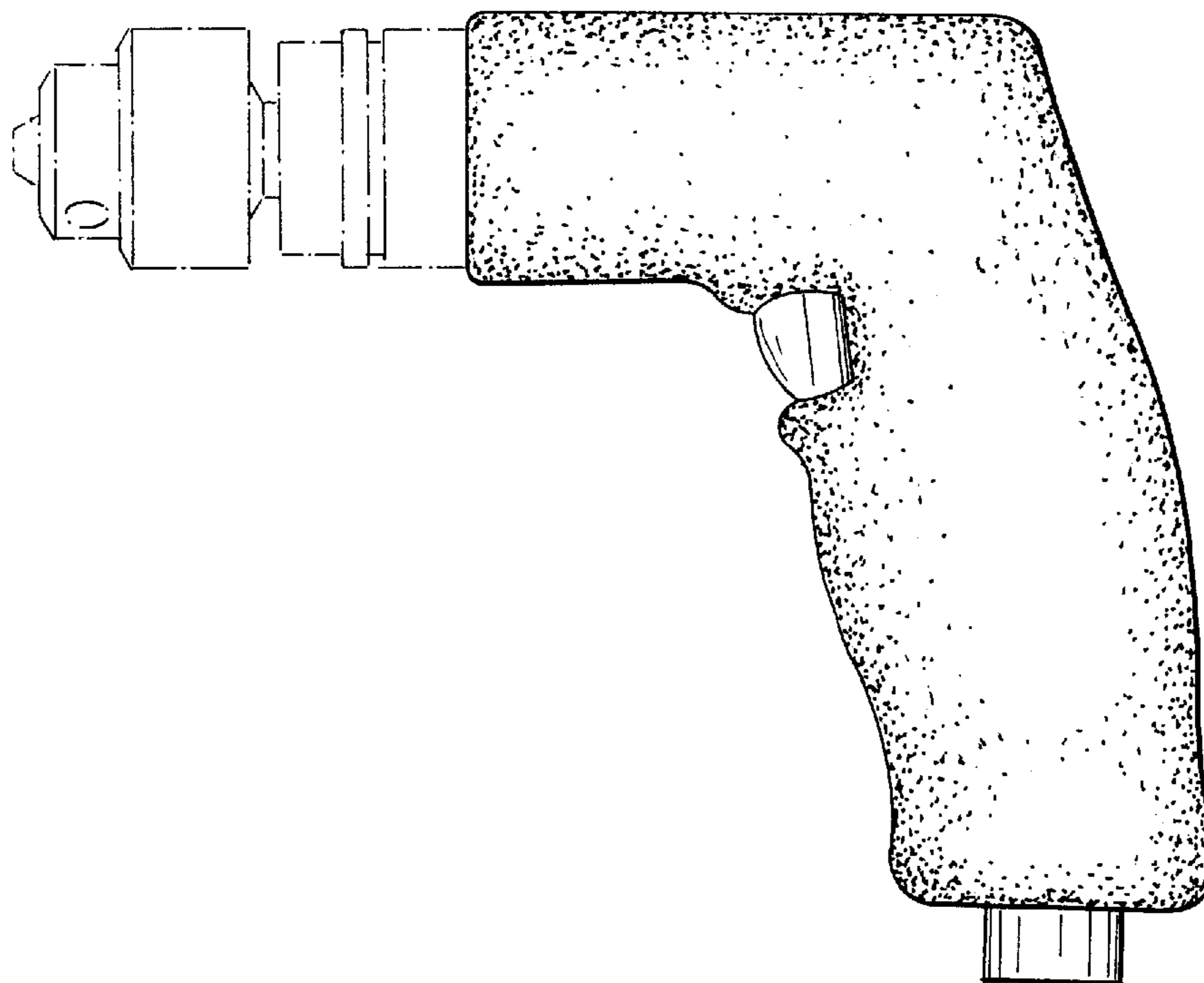
The broken line adjacent to the stippled shading represents the forward peripheral boundary of the claimed design; the broken line showing of a pneumatic drill head and chuck assembly is for illustrative purposes only and forms no part of the claimed design.

OTHER PUBLICATIONS

Sioux tool Inc. dated Sep. 11, 1989 p. 13 tool handle Model No. 558.

Black & Decker drill, dated Jan. 1, 1967, p. 49 Serial No. 631.

1 Claim, 2 Drawing Sheets



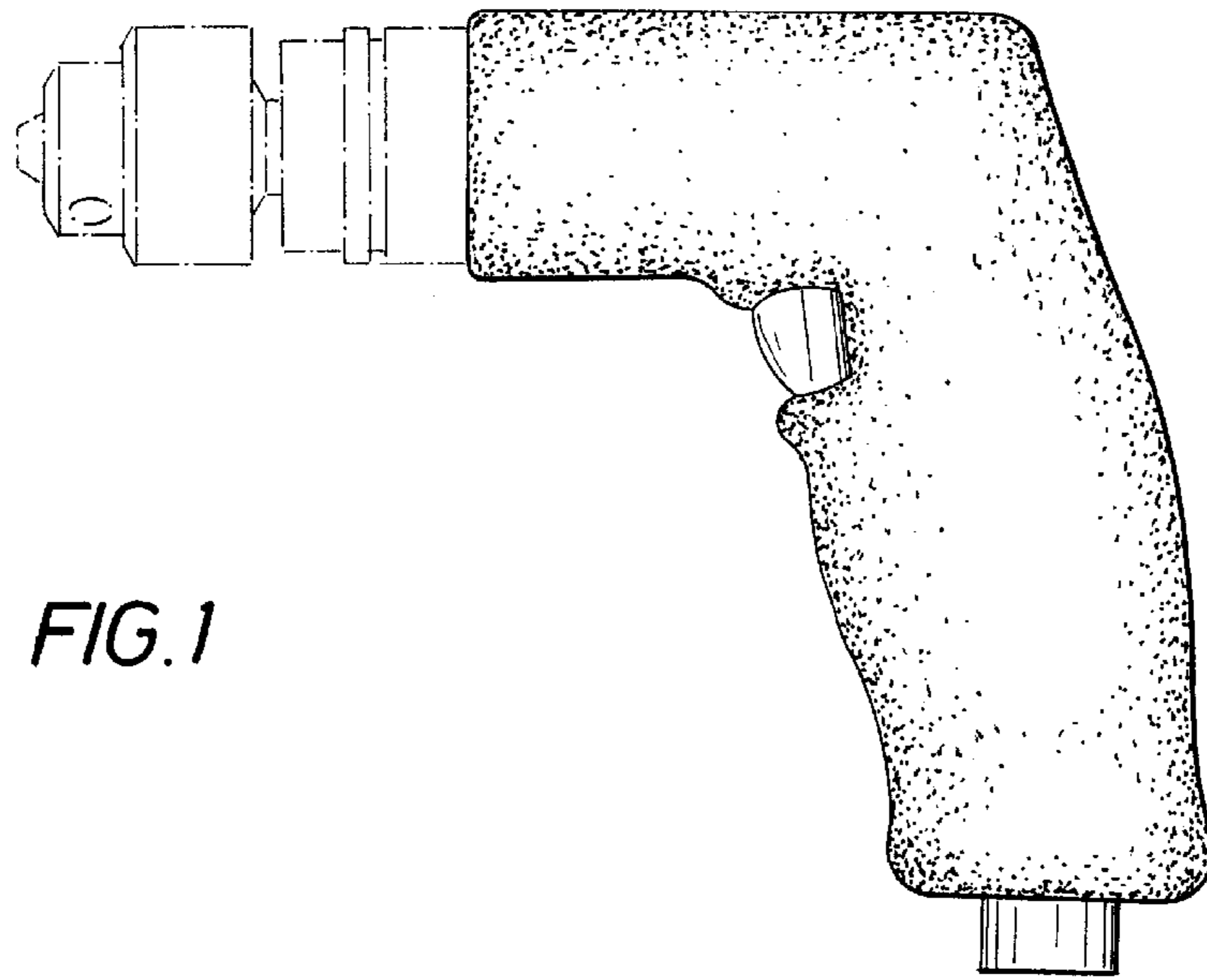


FIG. 1

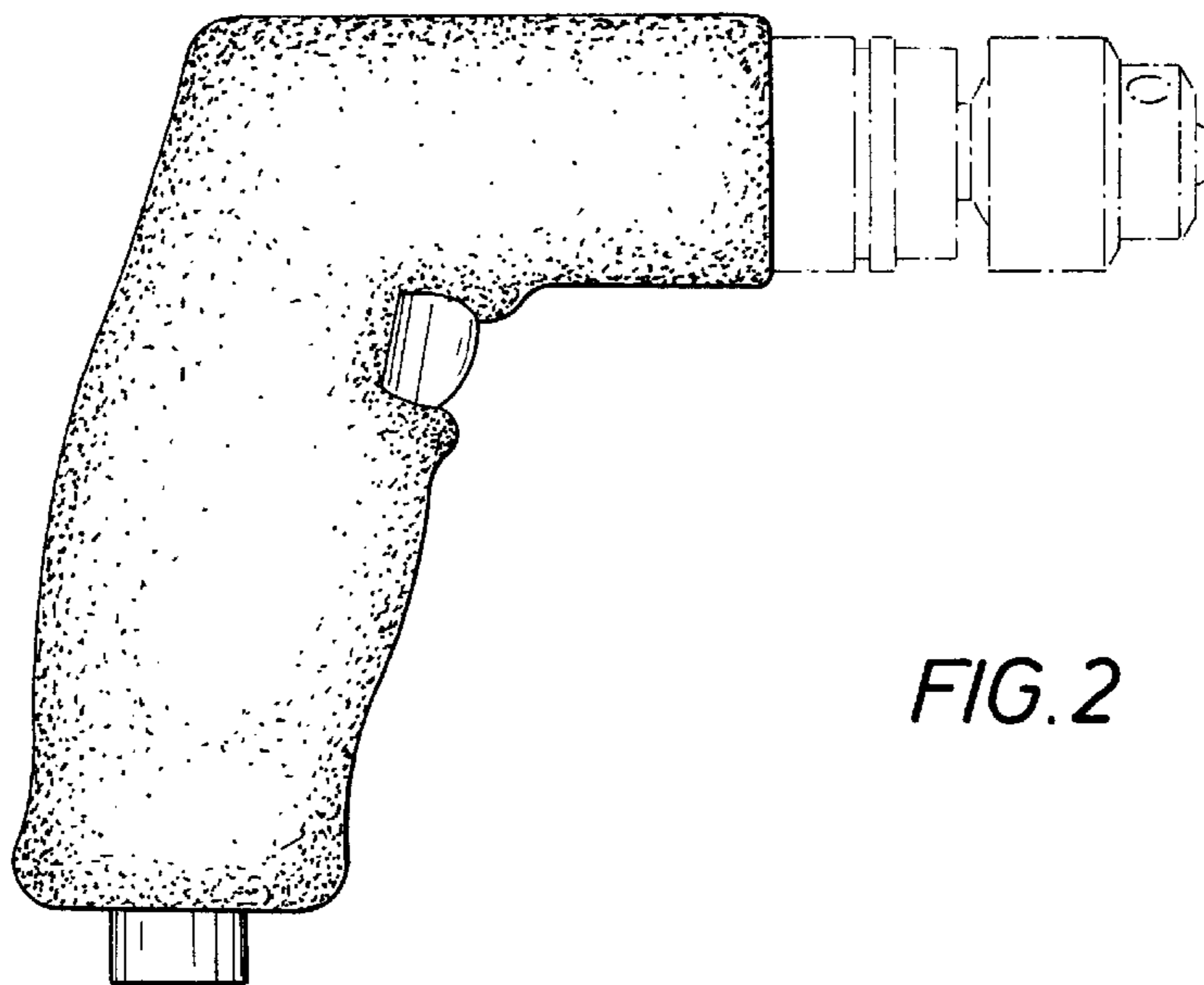


FIG. 2

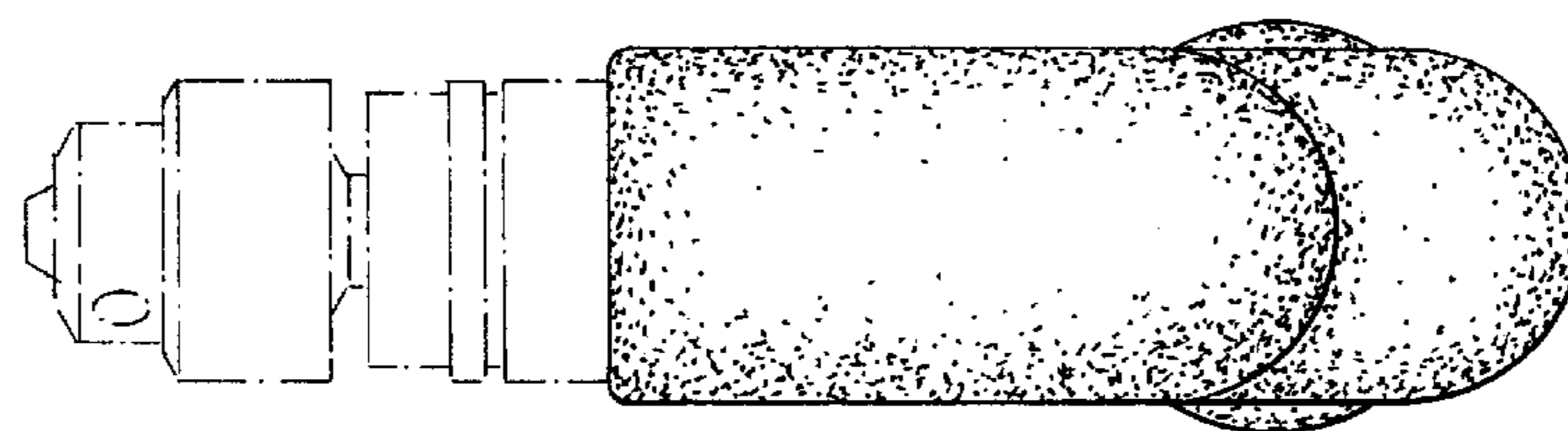


FIG. 3

FIG. 4

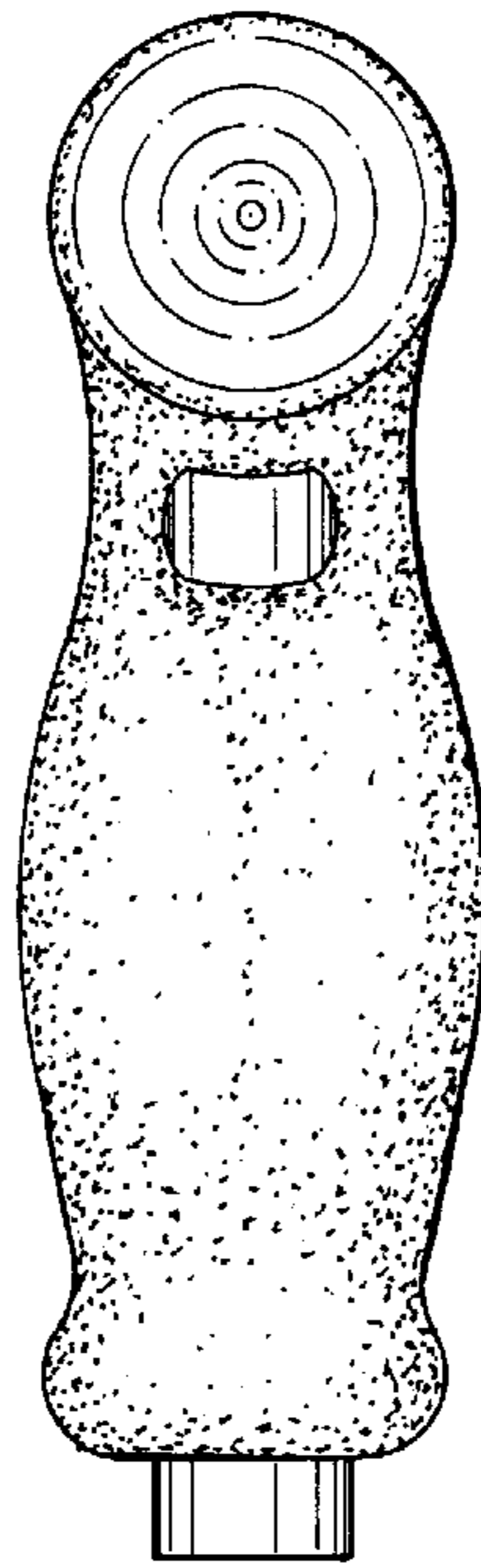


FIG. 5

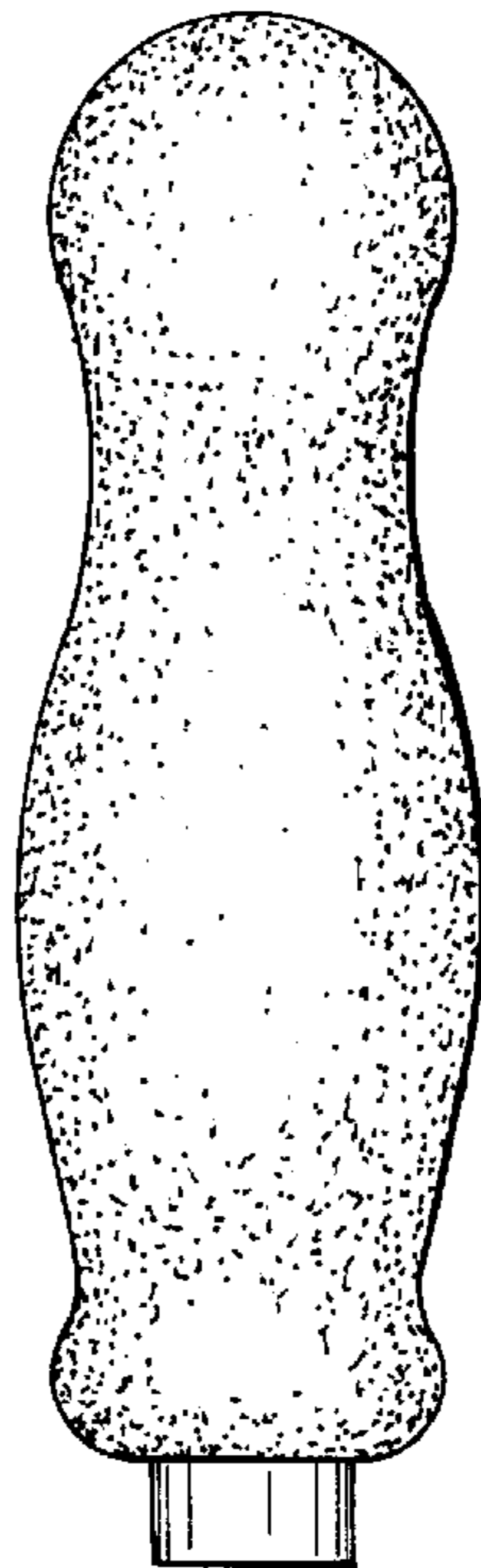


FIG. 6

