



US00D395386S

United States Patent [19]
Giardino

[11] **Patent Number: Des. 395,386**

[45] **Date of Patent: **Jun. 23, 1998**

[54] **PNEUMATIC RATCHET**

[75] Inventor: **David A. Giardino**, Deerfield, N.Y.

[73] Assignee: **Chicago Pneumatic Tool Company**,
Rock Hill, S.C.

[**] Term: **14 Years**

[21] Appl. No.: **62,594**

[22] Filed: **Nov. 19, 1996**

[51] **LOC (6) Cl.** **08-01**

[52] **U.S. Cl.** **D8/61**

[58] **Field of Search** D8/61; 81/57.39,
81/63.1, 63.2, 63, 177.75, 177.85

[56] **References Cited**

U.S. PATENT DOCUMENTS

D. 278,407 4/1985 Fleischer, Jr. D8/61

D. 372,850 8/1996 Dubuque et al. D8/61
4,722,252 2/1988 Fulcher et al. 81/57.39
5,231,901 8/1993 Putney et al. 81/57.39

Primary Examiner—Antoine Duval Davis
Attorney, Agent, or Firm—Schmeiser, Olsen & Watts

[57] **CLAIM**

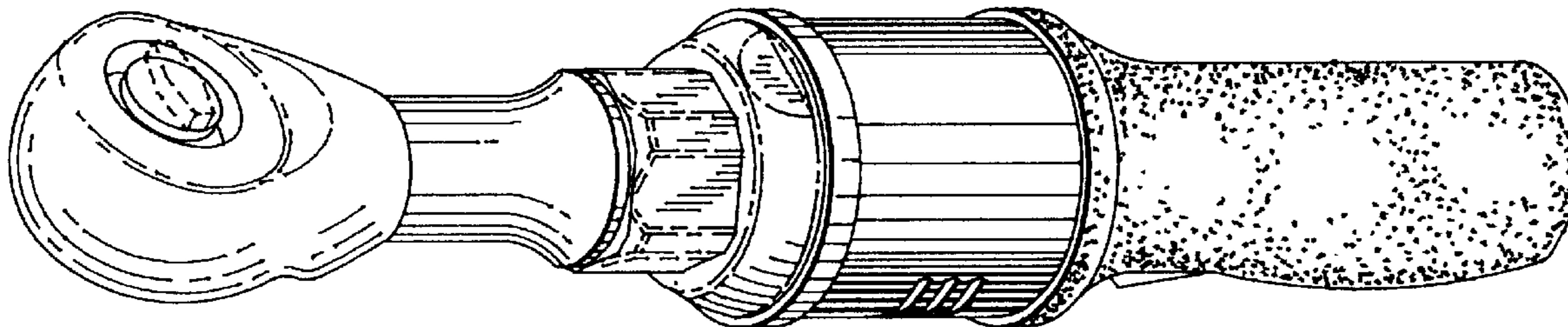
The ornamental design for a pneumatic ratchet, as shown

DESCRIPTION

FIG. 1 is an isometric view thereof;
FIG. 2 is a side view thereof;
FIG. 3 is a bottom view thereof;
FIG. 4 is a top view thereof;
FIG. 5 is a back view thereof; and,
FIG. 6 is a front thereof.

The broken line showing is for illustrative purposes only and forms no part of the claimed design.

1 Claim, 2 Drawing Sheets



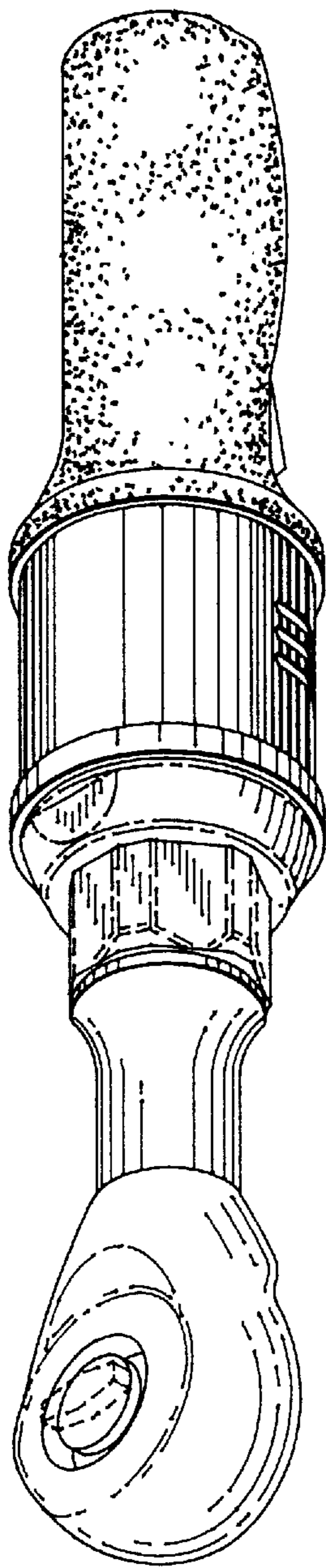


FIG. 1

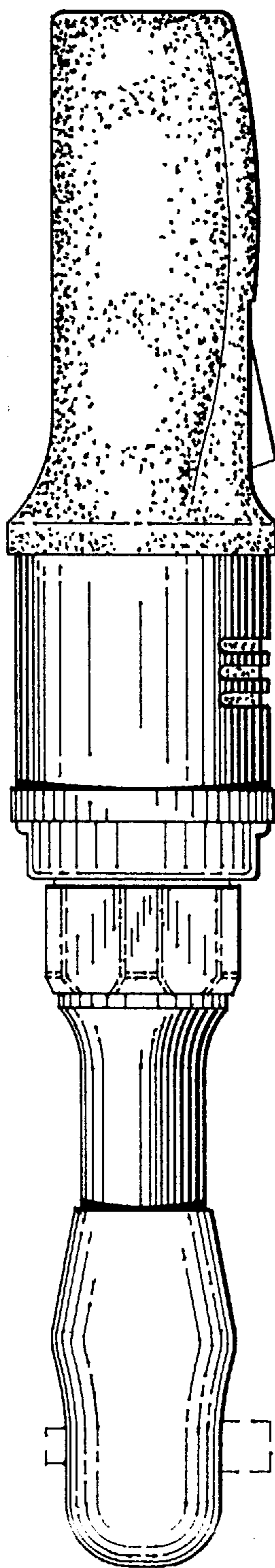


FIG. 2

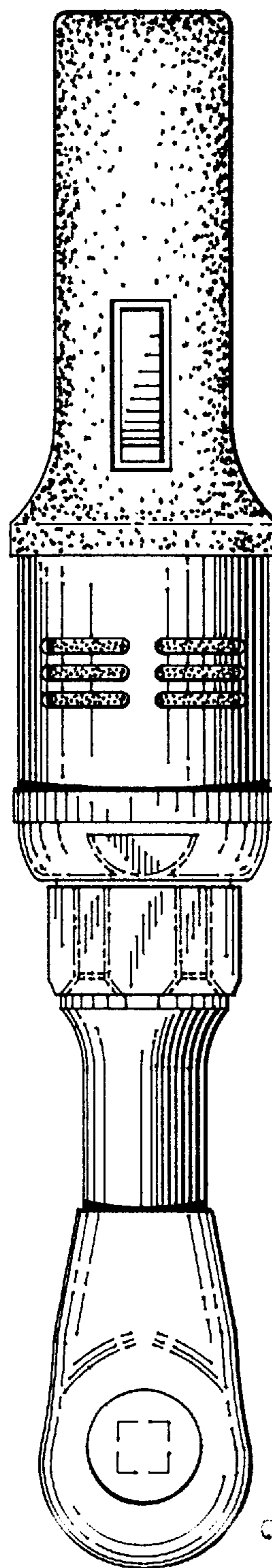


FIG. 3

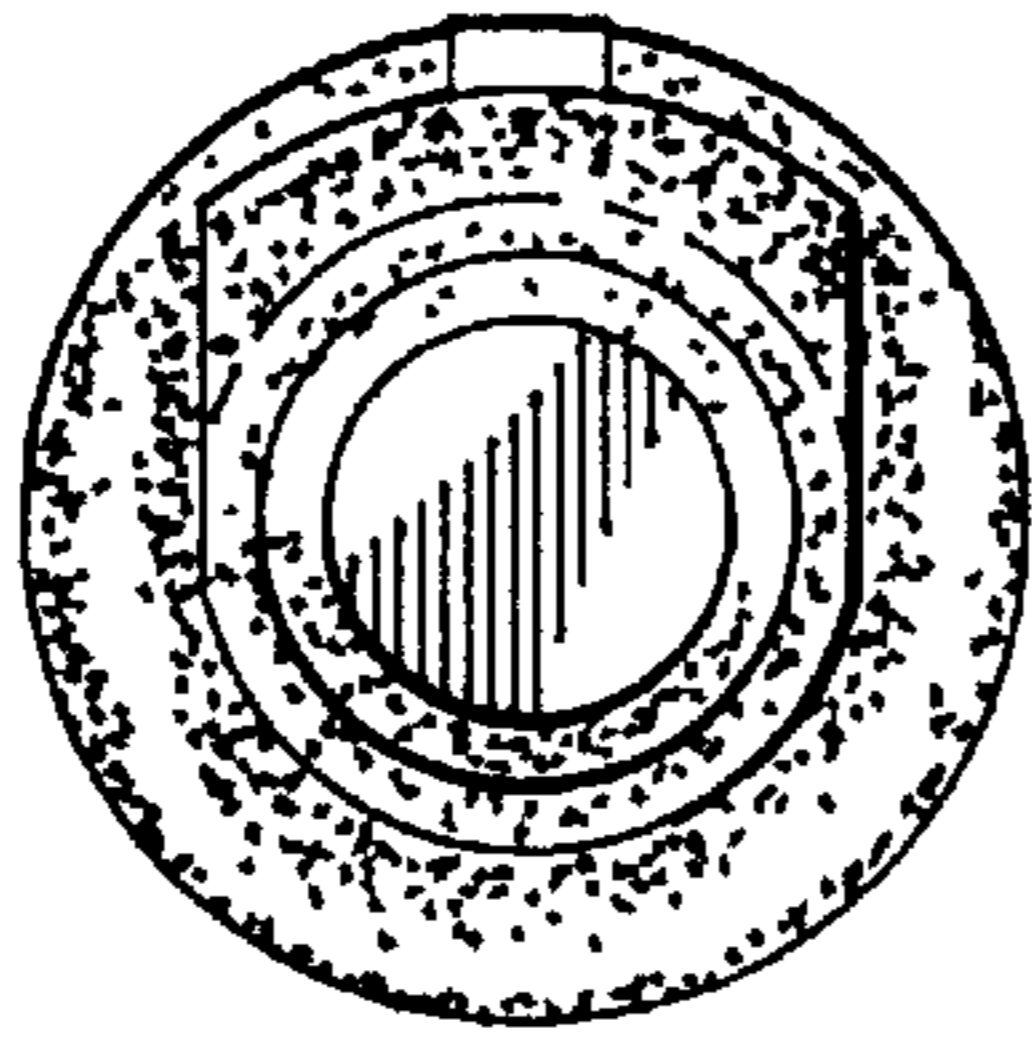


FIG. 5

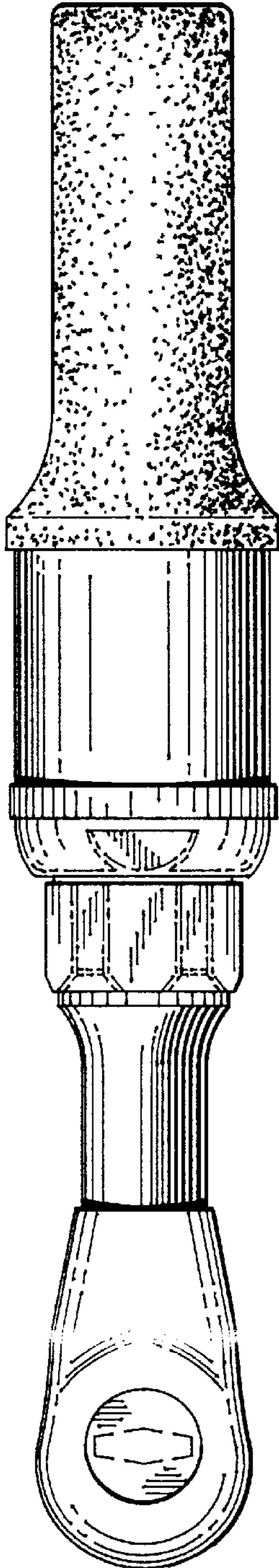


FIG. 4

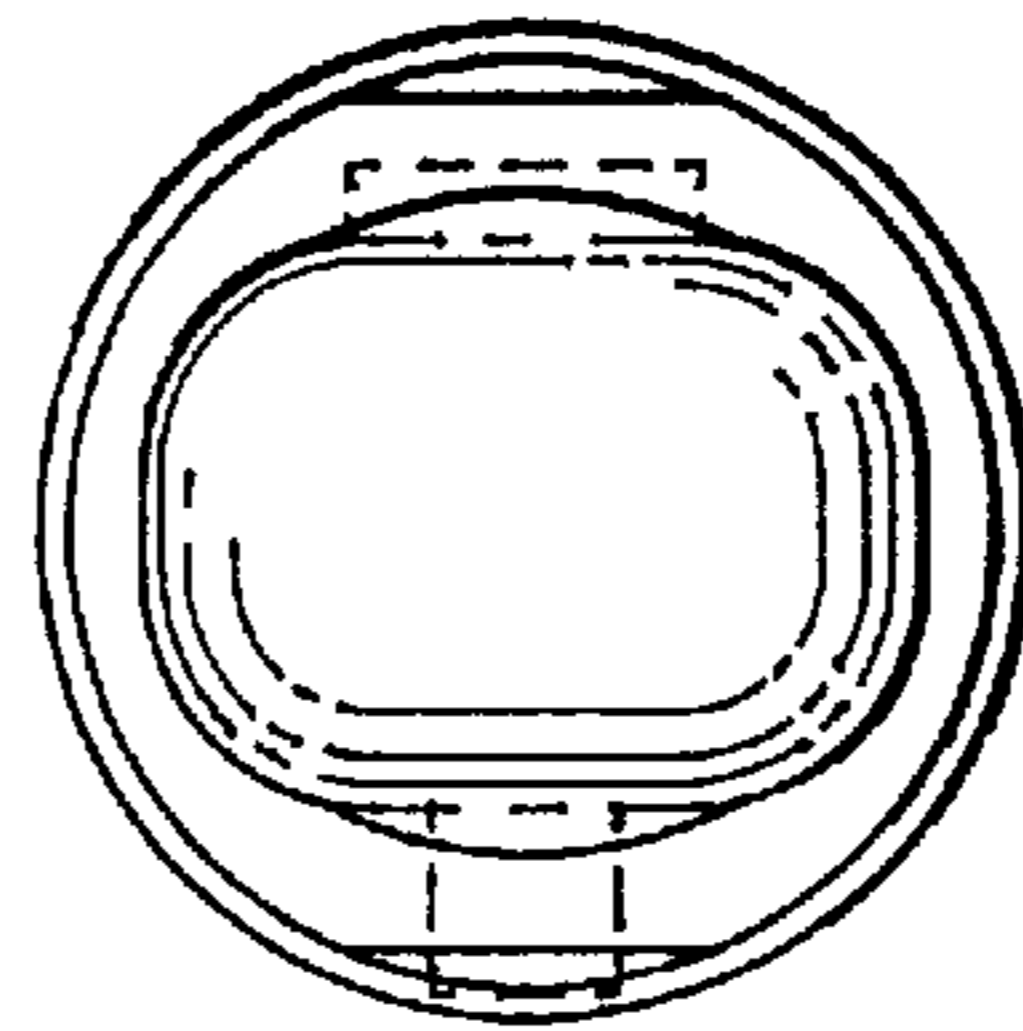


FIG. 6