



US00D395385S

# United States Patent [19] Pipic

[11] **Patent Number: Des. 395,385**

[45] **Date of Patent: \*\*Jun. 23, 1998**

[54] **MASON'S TROWEL**

[76] Inventor: **Sulejman Pipic**, 66 W. Main St.,  
Norwich, N.Y. 13815

[\*\*] Term: **14 Years**

[21] Appl. No.: **60,371**

[22] Filed: **Sep. 27, 1996**

[51] **LOC (6) Cl. .... 08-05**

[52] **U.S. Cl. .... D8/45**

[58] **Field of Search** ..... D8/45, 14, 101;  
32/40, 46; 15/105.5, 235.3, 235.4, 236.08,  
245.1

[56] **References Cited**

**U.S. PATENT DOCUMENTS**

460,644	10/1891	Maurer	.....	15/235.3
1,416,521	5/1922	Stout	.....	15/235.3
1,509,457	9/1924	Wickham	.....	15/235.3
2,719,316	10/1955	Hauser	.....	15/236.08
2,806,240	9/1957	Cottar	.....	15/245.1
3,530,777	9/1970	Peck	.....	15/245.1
4,126,346	11/1978	Burns	.....	D8/14

**FOREIGN PATENT DOCUMENTS**

432801	3/1967	France	.....	15/235.3
--------	--------	--------	-------	----------

*Primary Examiner*—Ted Shooman  
*Assistant Examiner*—Richelle Shelton  
*Attorney, Agent, or Firm*—Salzman & Levy

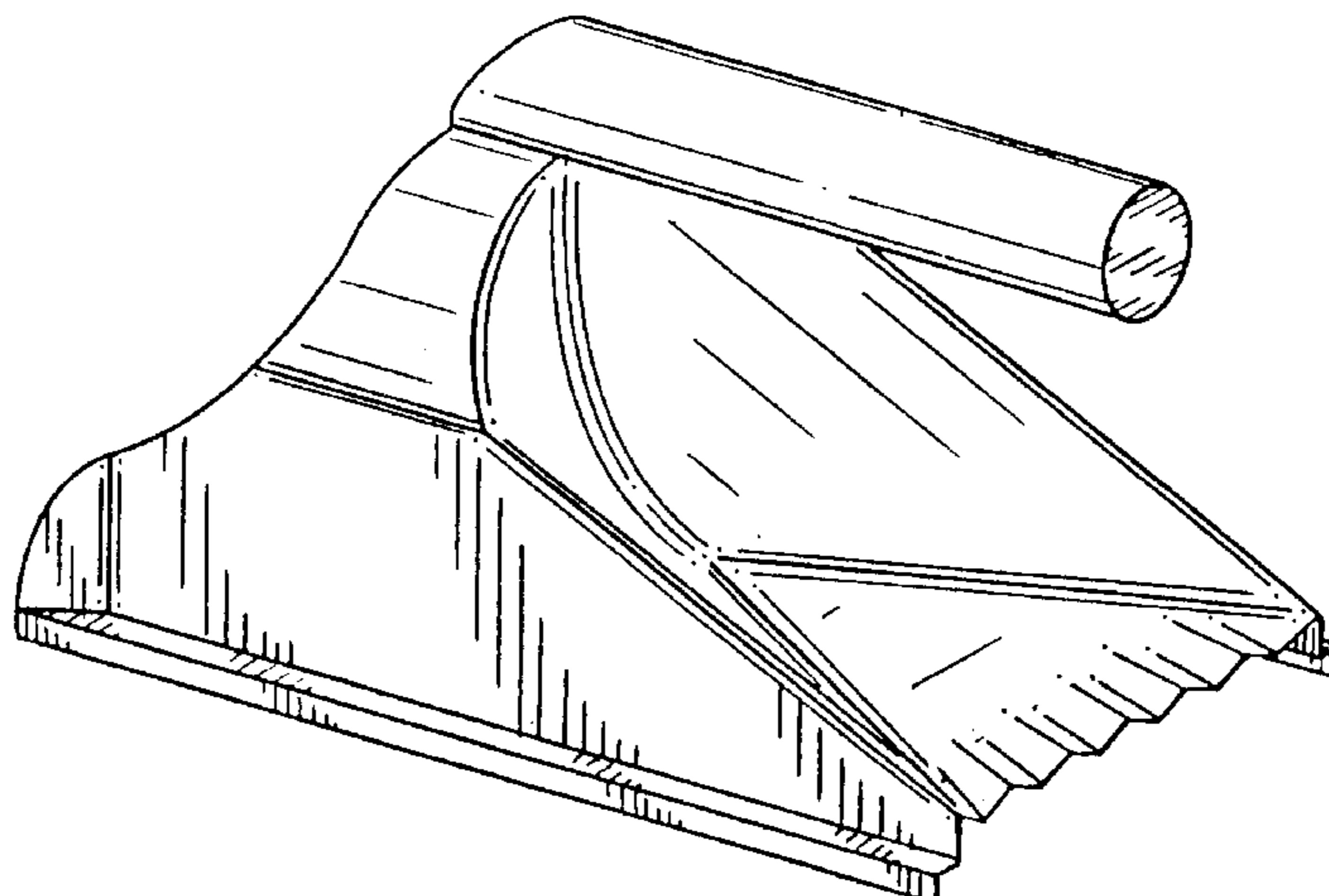
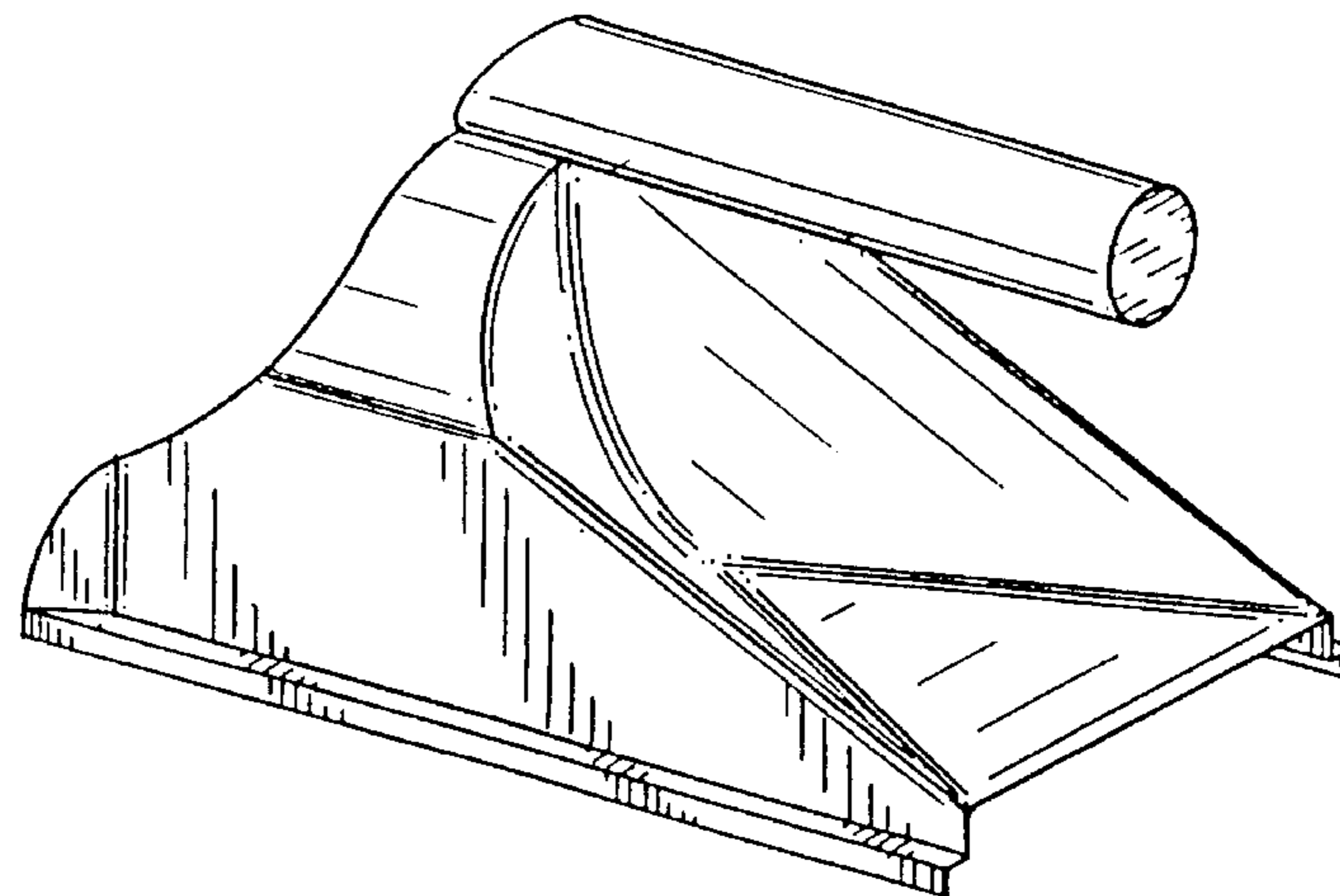
[57] **CLAIM**

The ornamental design for a mason's trowel, as shown and described.

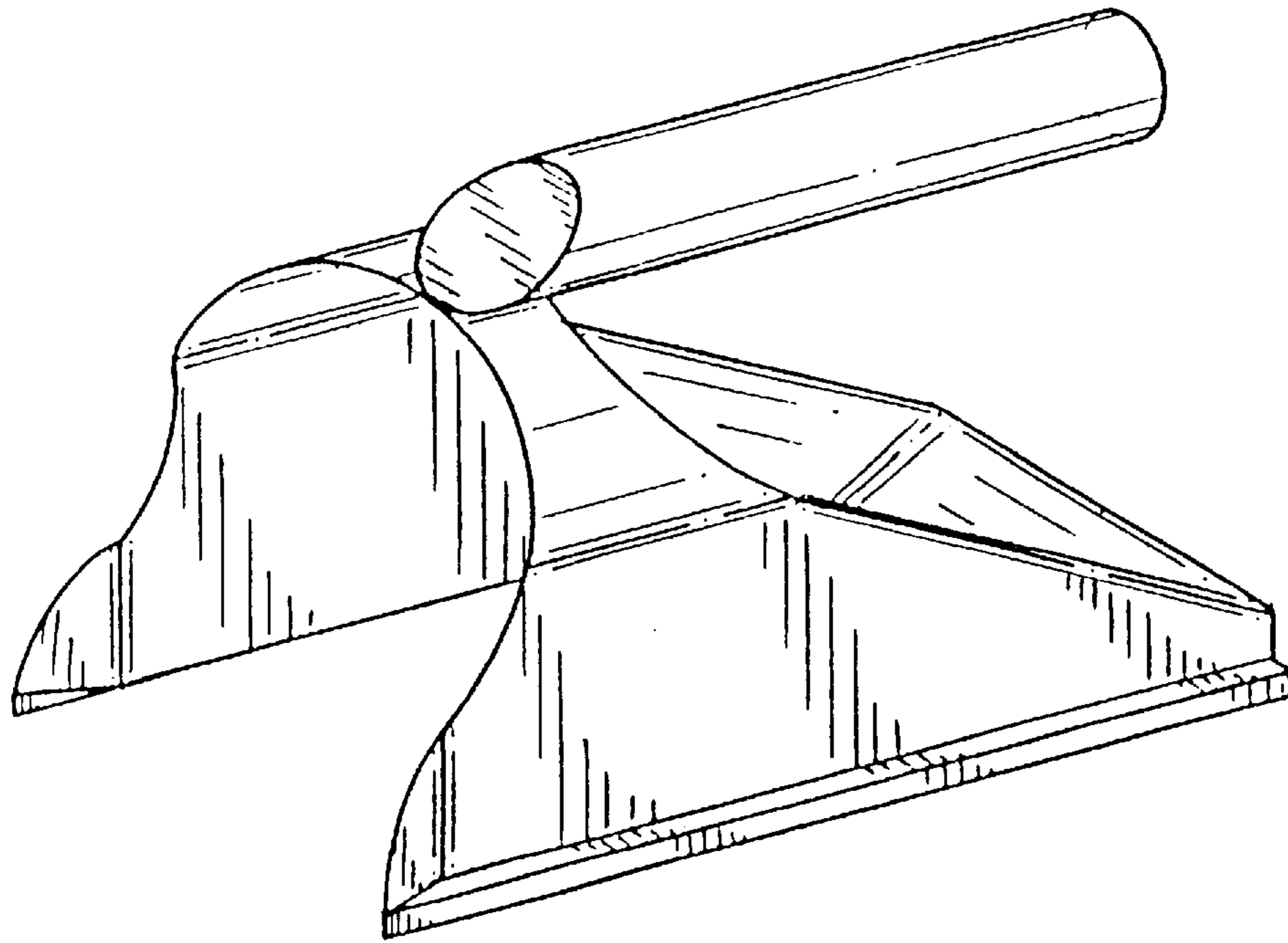
**DESCRIPTION**

FIG. 1 is top, front and right side perspective view of a mason's trowel showing my new design;  
FIG. 2 is a top, rear and right side perspective view thereof;  
FIG. 3 is a reduced front elevational view thereof;  
FIG. 4 is a reduced right side elevational view thereof;  
FIG. 5 is a reduced top plan view thereof;  
FIG. 6 is a reduced rear elevational view thereof;  
FIG. 7 is a reduced bottom plan view thereof;  
FIG. 8 is a top, rear and right side perspective view of a second embodiment of the mason's trowel, the areas not shown being identical to the first embodiment; and,  
FIG. 9 is a reduced top, front and right side perspective view of the mason's trowel with the spacer and brick wall shown in broken lines for illustrative purposes only and forming no part of the design;

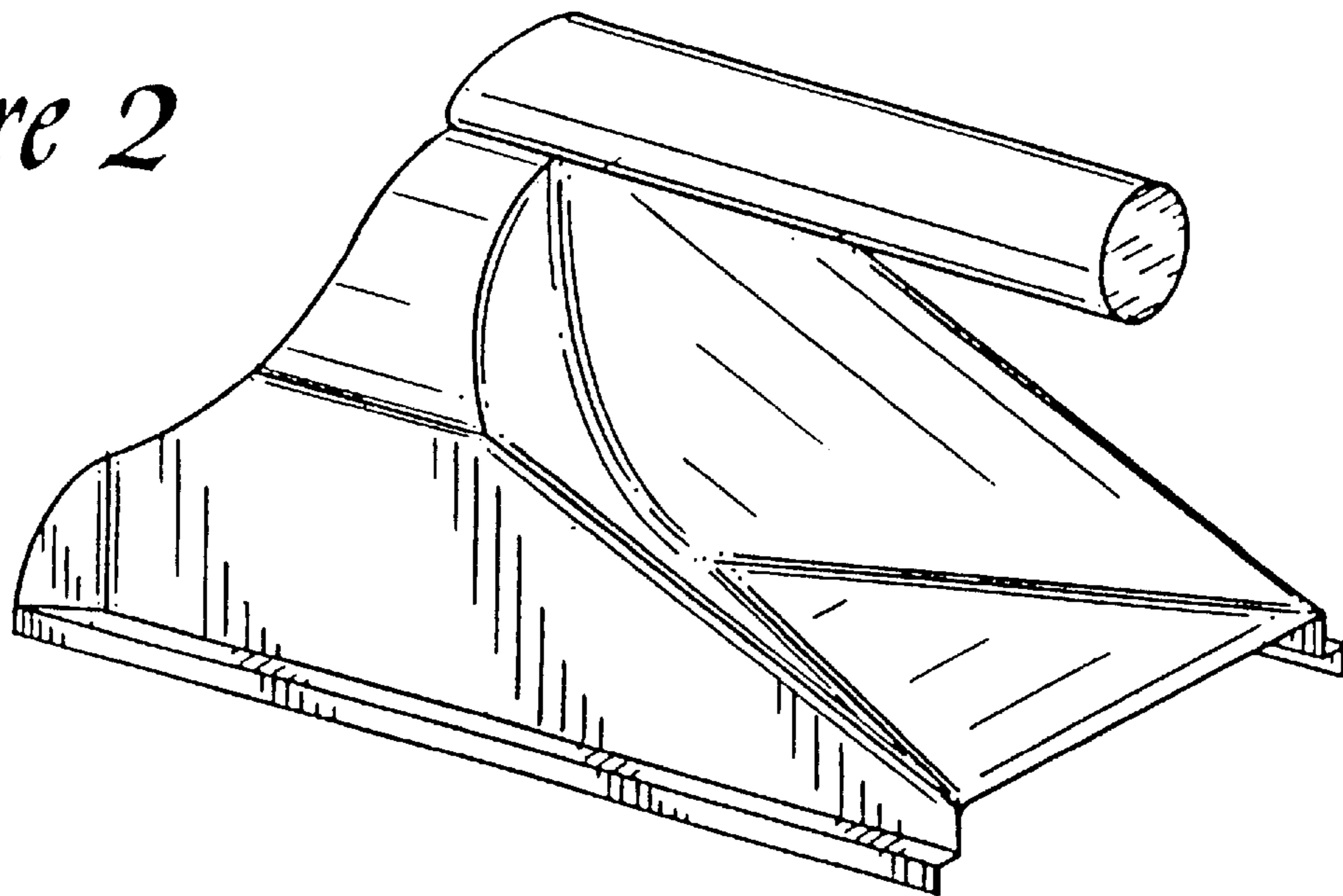
**1 Claim, 4 Drawing Sheets**



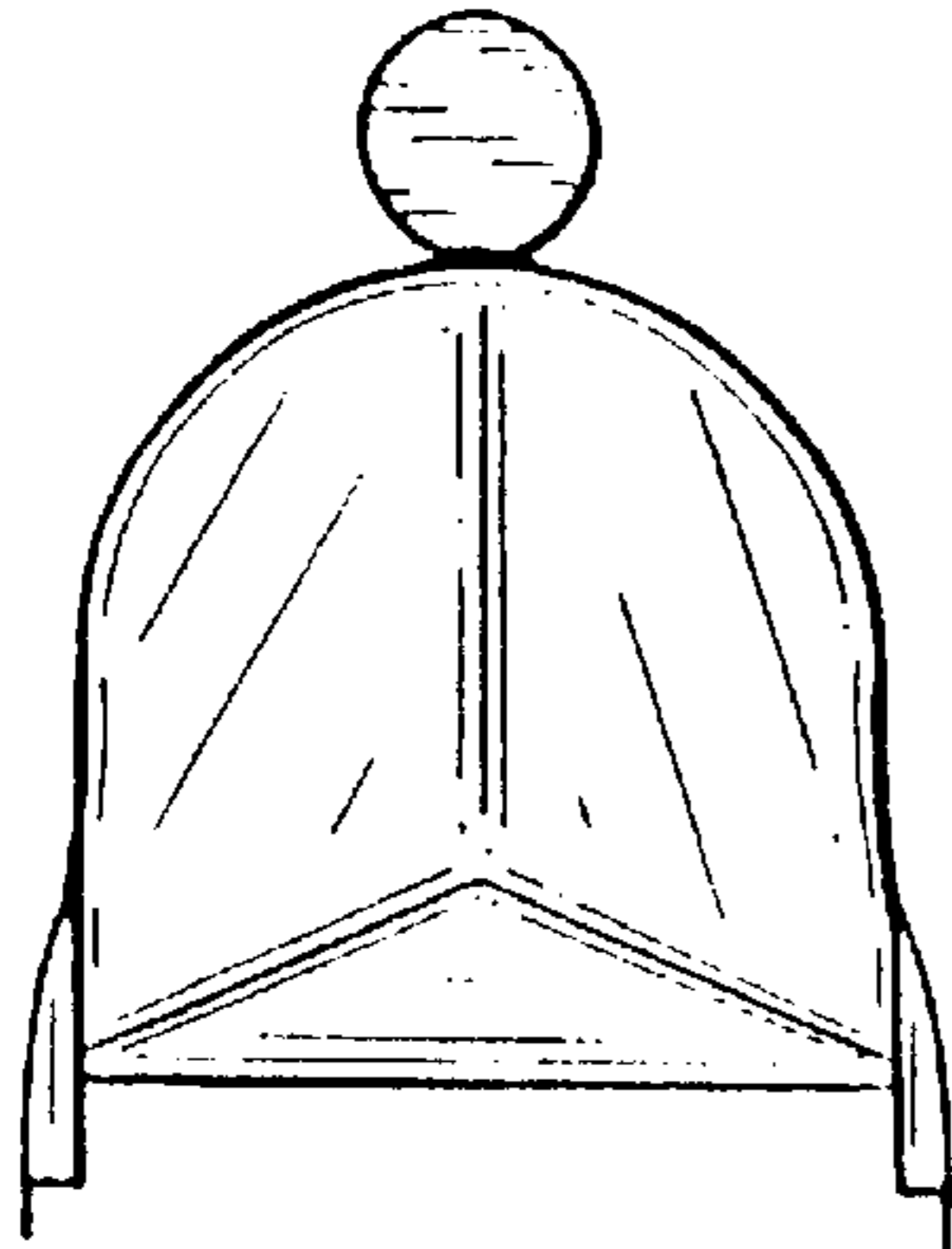
*Figure 1*



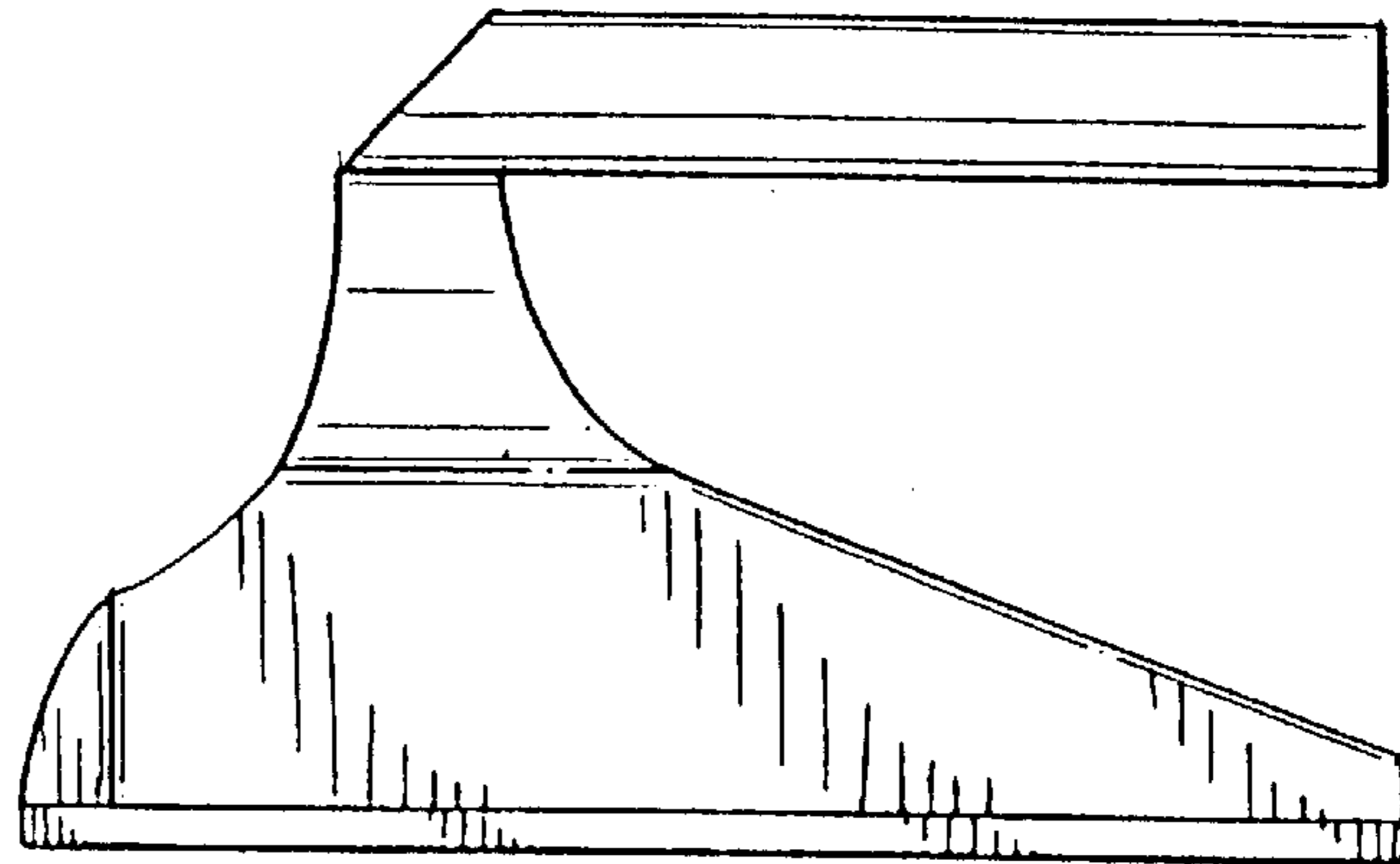
*Figure 2*



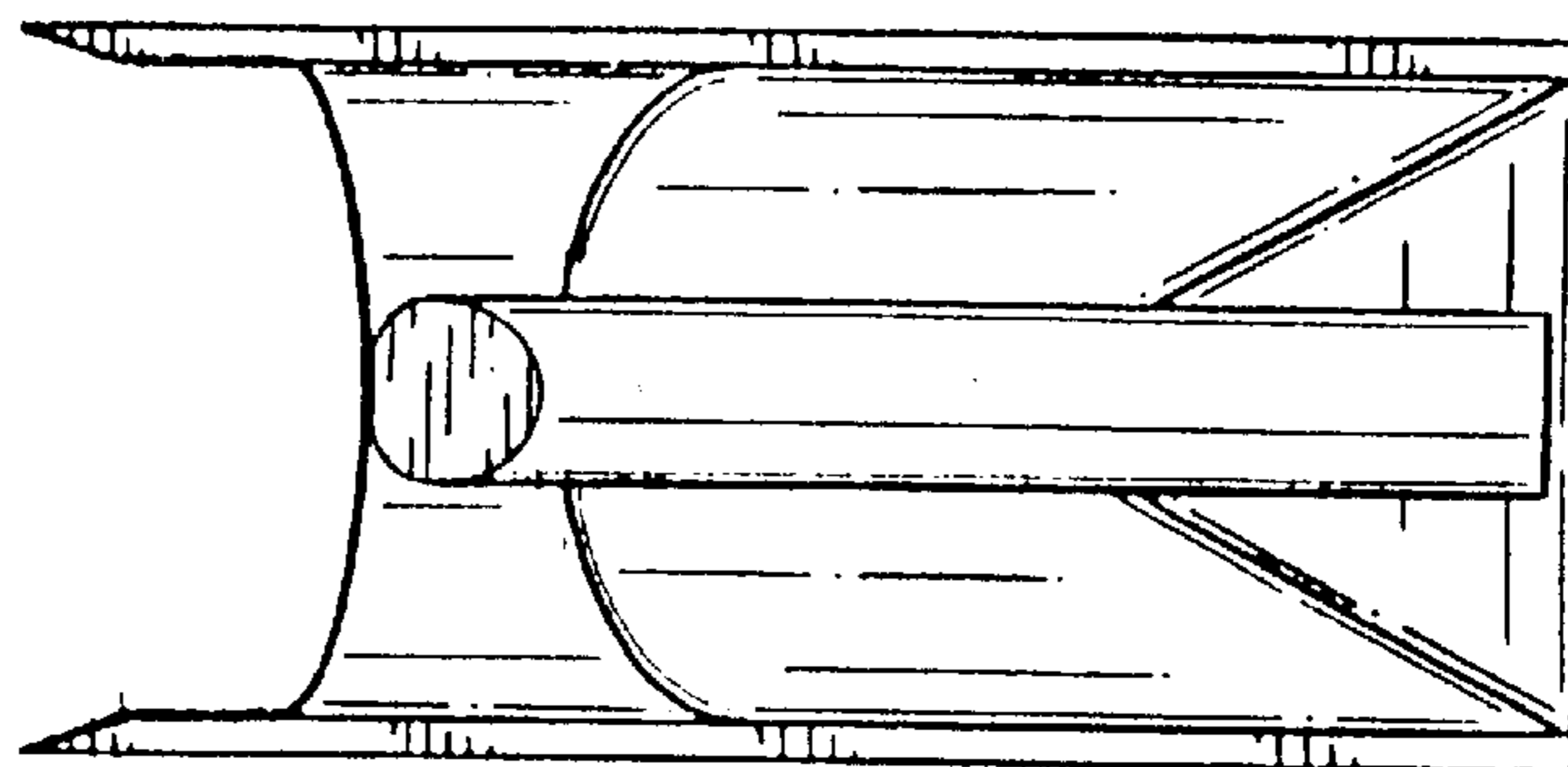
*Figure 3*



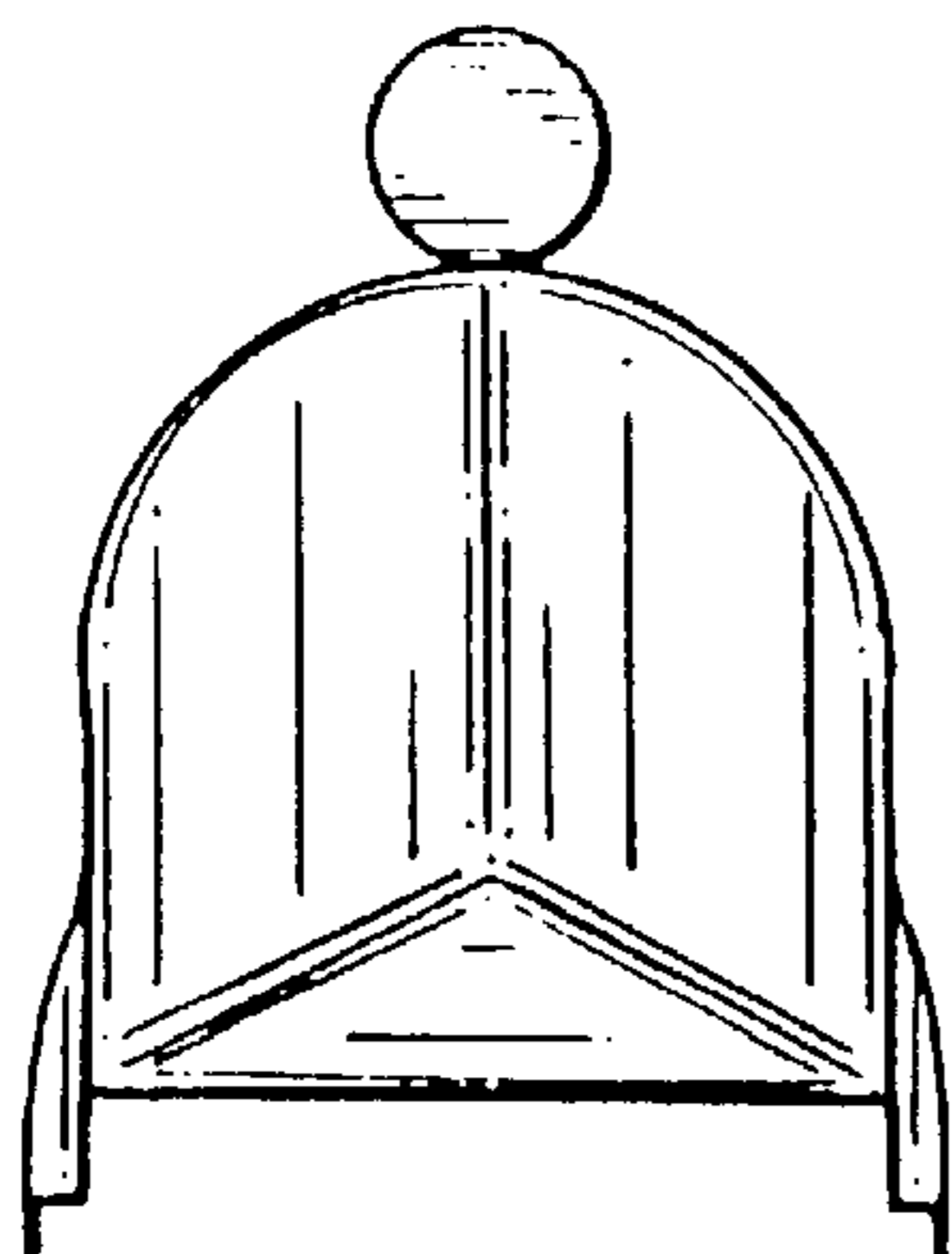
*Figure 4*



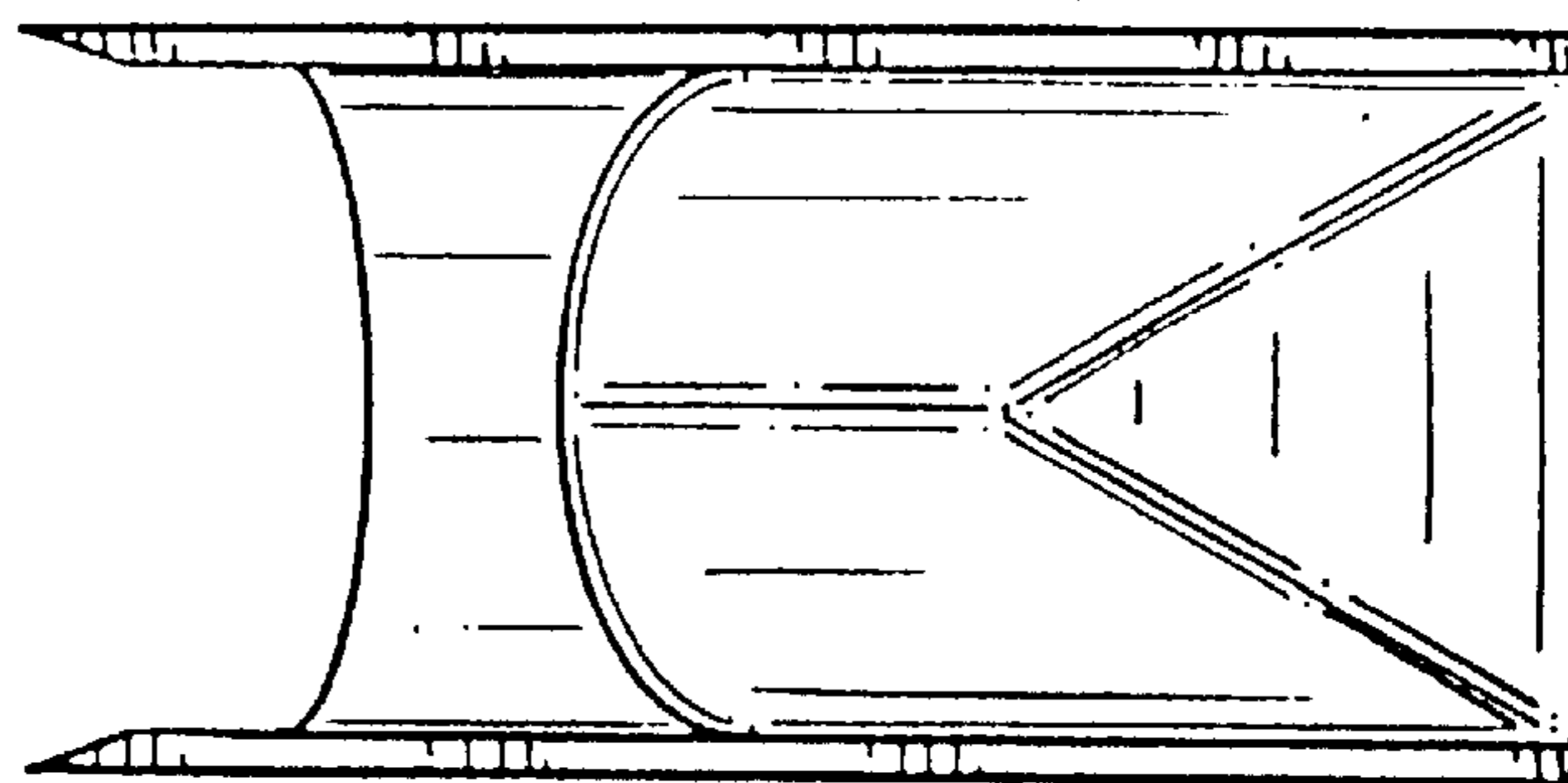
*Figure 5*

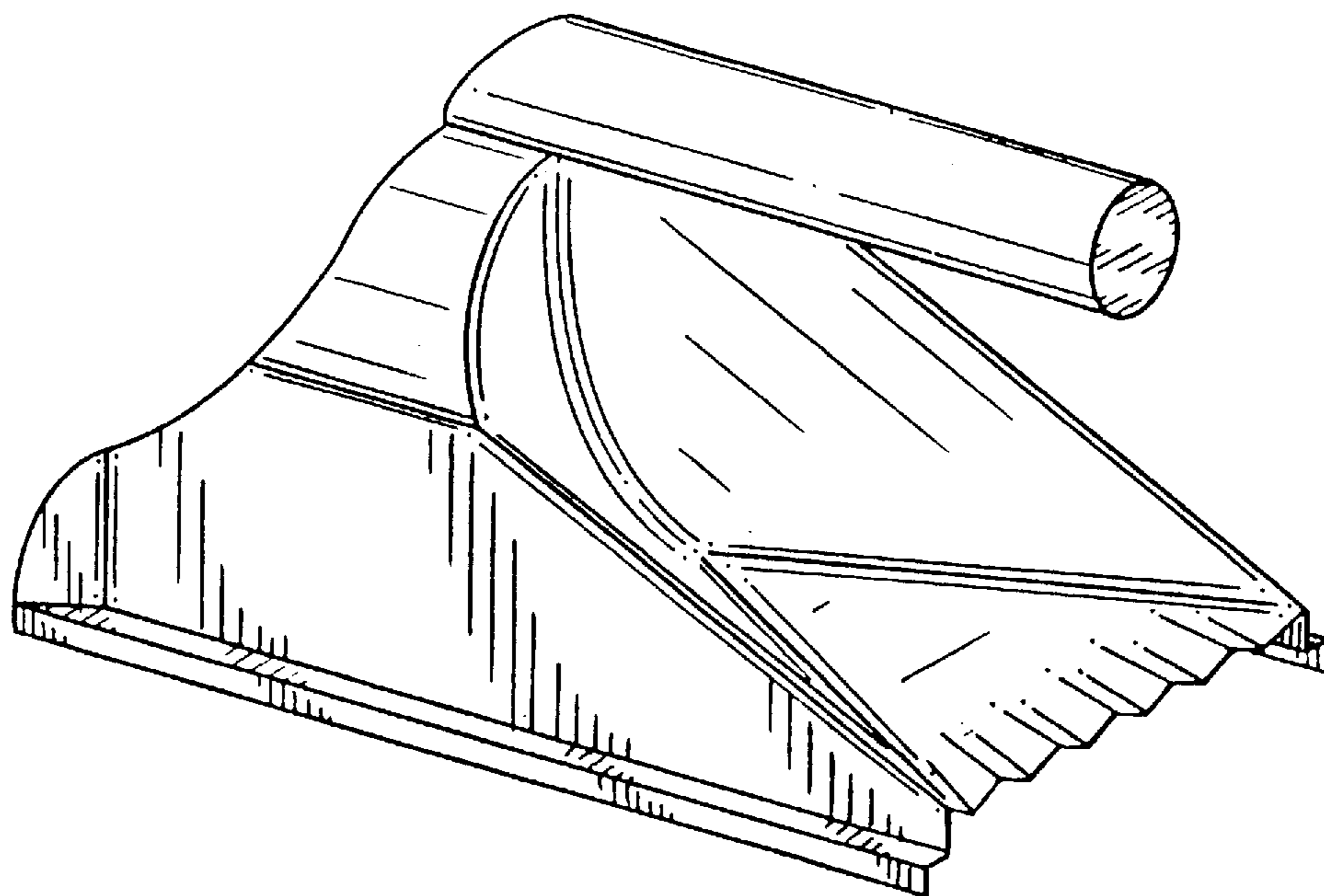


*Figure 6*

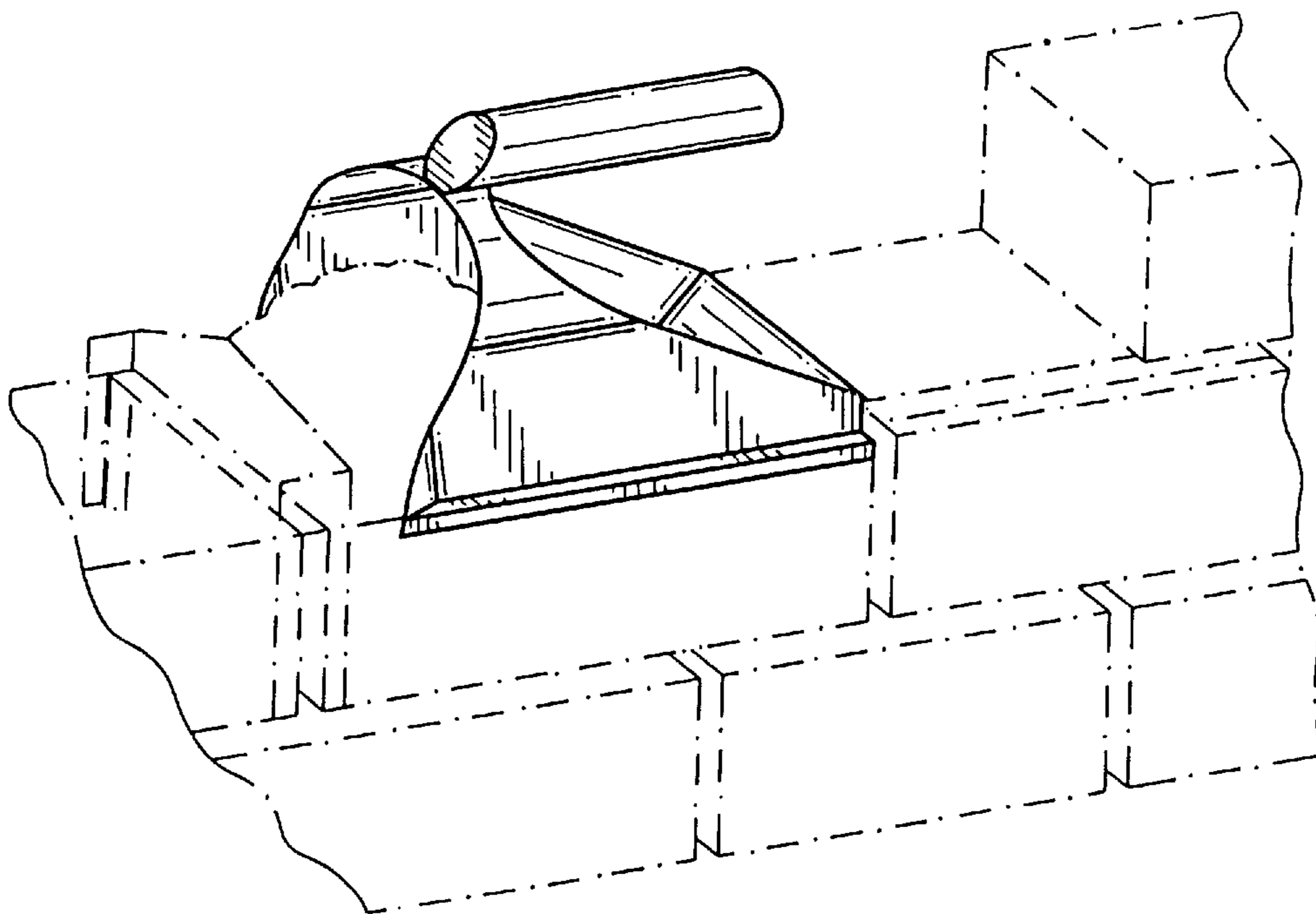


*Figure 7*





*Figure 8*



*Figure 9*