



US00D395383S

# United States Patent [19]

Mohindru

[11] Patent Number: **Des. 395,383**

[45] Date of Patent: **\*\*Jun. 23, 1998**

## [54] MULTI ANGULAR SPADE HEAD

[76] Inventor: **Anish Mohindru**, 3080 Hamden Ct.,  
Dublin, Ohio 43017

[\*\*] Term: **14 Years**

[21] Appl. No.: **64,329**

[22] Filed: **Dec. 27, 1996**

[51] LOC (6) Cl. .... **08-01**

[52] U.S. Cl. .... **D8/7; D8/10; D8/11**

[58] Field of Search ..... D8/1, 7, 10, 11,  
D8/88, 107; 15/236.01; 30/169, 171; 294/49,  
54.5, 55, 57; 172/371, 375; 254/131, 131.5;  
7/114, 116

## [56] References Cited

### U.S. PATENT DOCUMENTS

84,797	12/1868	Connolly	294/49
D. 237,353	10/1975	Misch	D8/88
2,351,136	6/1944	Linden	172/375
2,536,180	1/1951	Hines	172/375 X
4,809,436	3/1989	Crookston	30/171

*Primary Examiner*—Alan P. Douglas  
*Assistant Examiner*—Lavone D. Tabor  
*Attorney, Agent, or Firm*—Porter, Wright Morris & Arthur

## [57] CLAIM

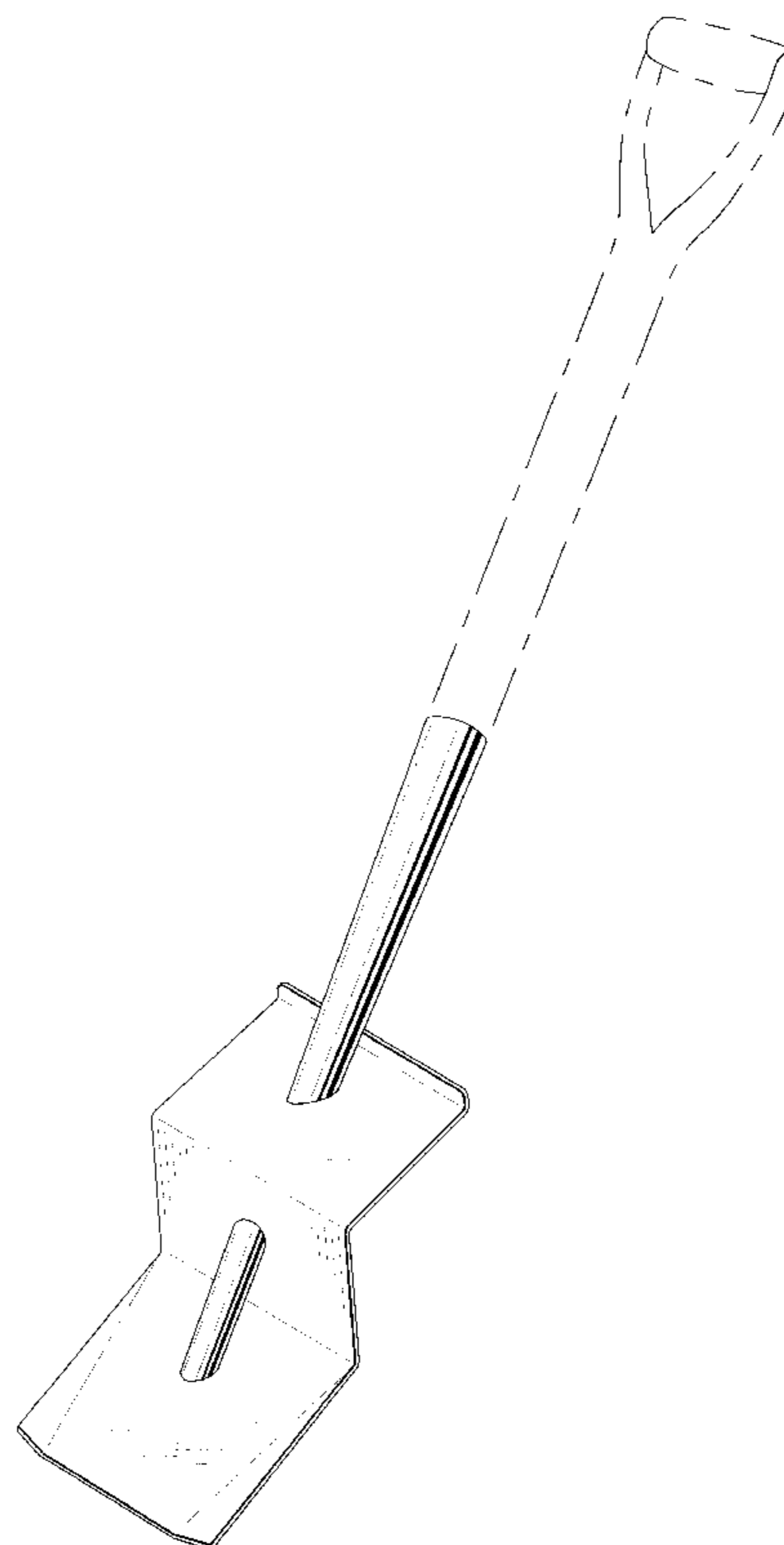
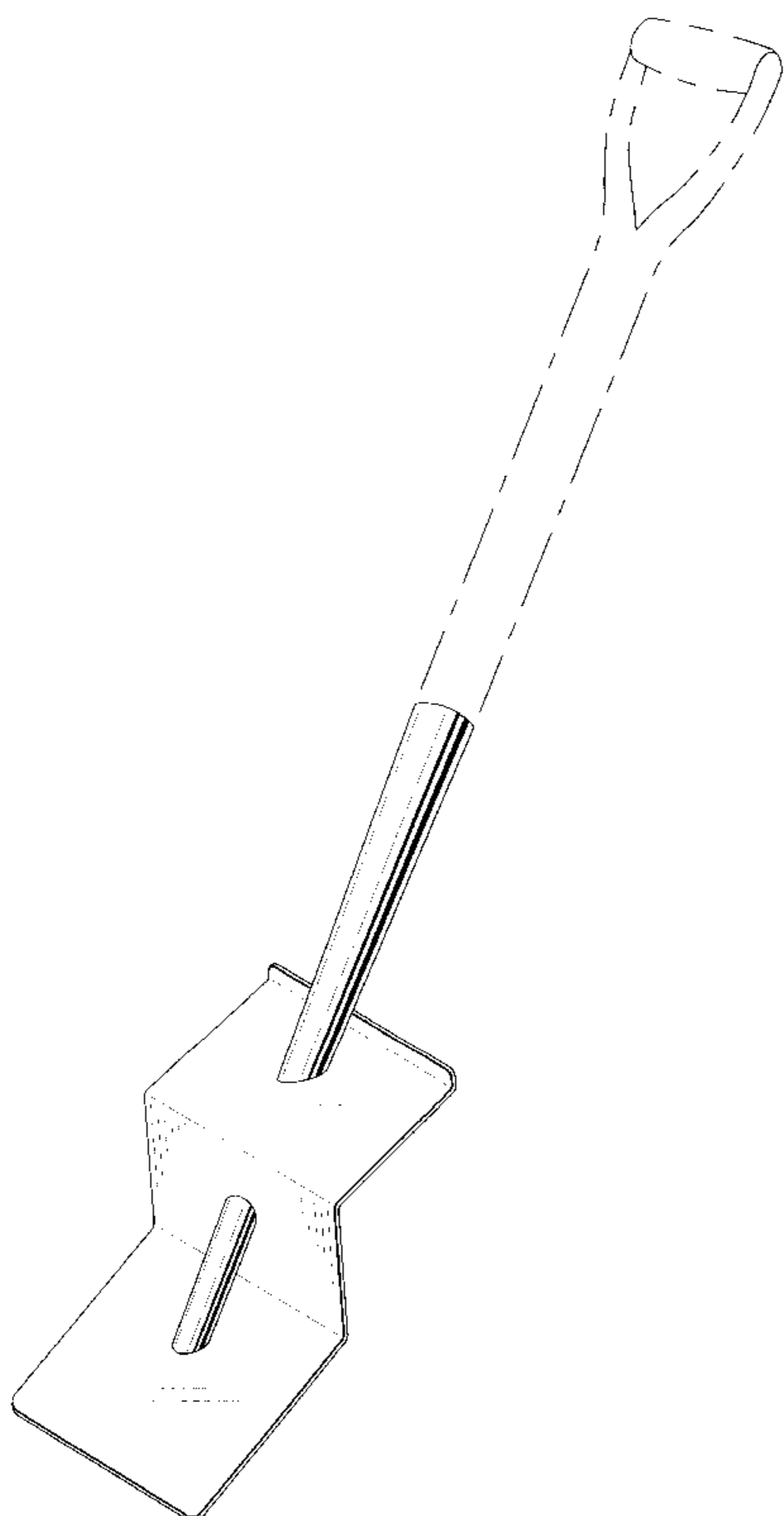
The ornamental design for a multi-angular spade head, as shown.

## DESCRIPTION

FIG. 1 is a perspective view of a multi-angular spade head according to the present invention;  
FIG. 2 is a side elevational view of the present multi-angular spade head, the opposite side elevational view being identical to FIG. 2;  
FIG. 3 is a front elevational view of the present multi-angular spade head;  
FIG. 4 is a rear elevational view of the present multi-angular spade head;  
FIG. 5 is a top plan view of the present multi-angular spade head;  
FIG. 6 is a bottom plan view of the present multi-angular spade head;  
FIG. 7 is a perspective view of the present multi-angular spade head in modified form;  
FIG. 8 is a side elevational view of the modified multi-angular spade head, the opposite side elevational view being identical to FIG. 8;  
FIG. 9 is a front elevational view of the modified multi-angular spade head;  
FIG. 10 is a rear elevational view of the modified multi-angular spade head;  
FIG. 11 is a top plan view of the modified multi-angular spade head; and,  
FIG. 12 is a bottom plan view of the modified multi-angular spade head.

The broken line showing of a handle is for illustrative purposes only and forms no part of the claimed design.

**1 Claim, 4 Drawing Sheets**



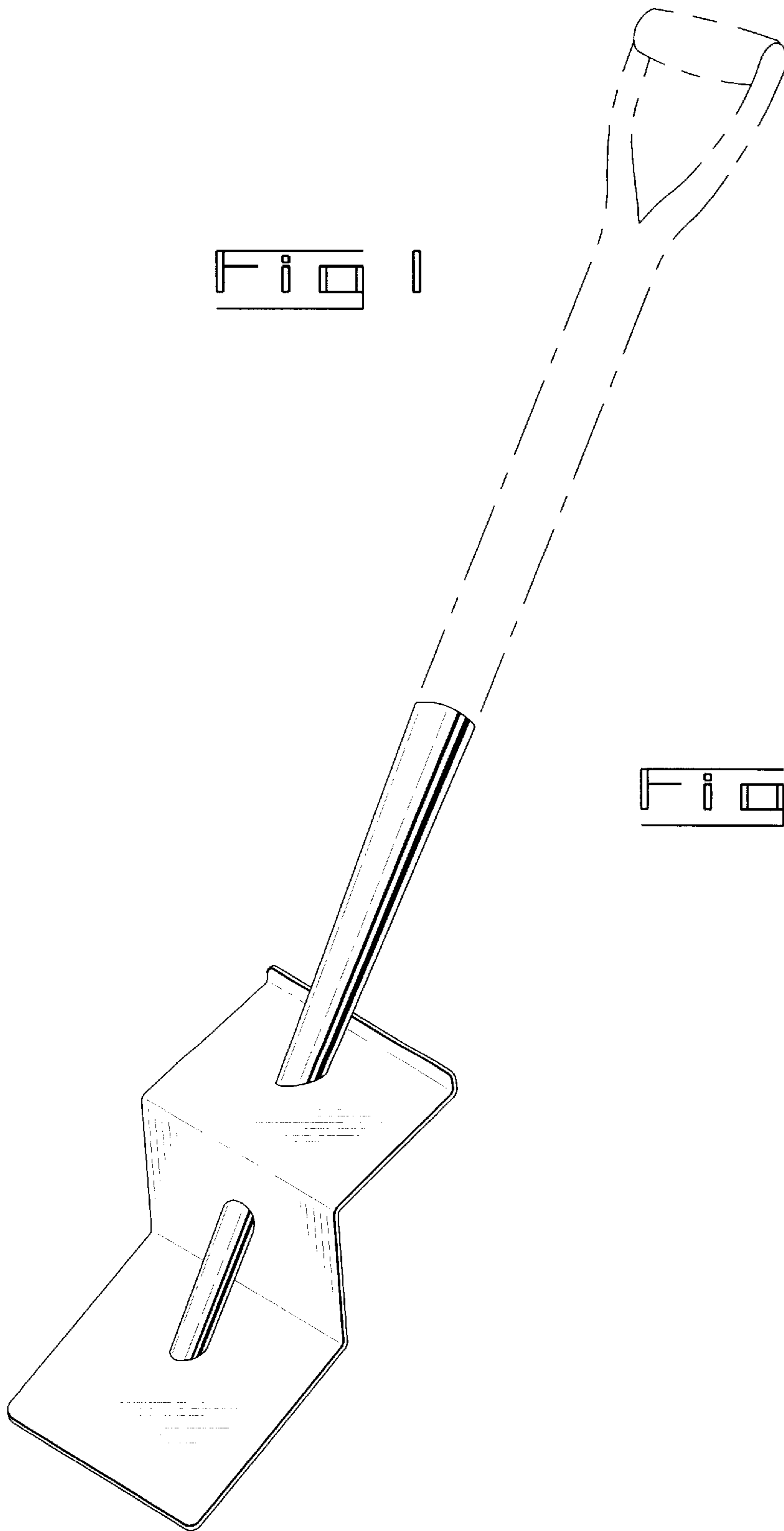


Fig 1

Fig 2

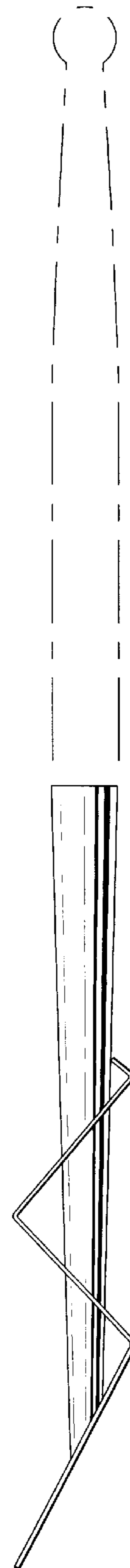


Fig 3

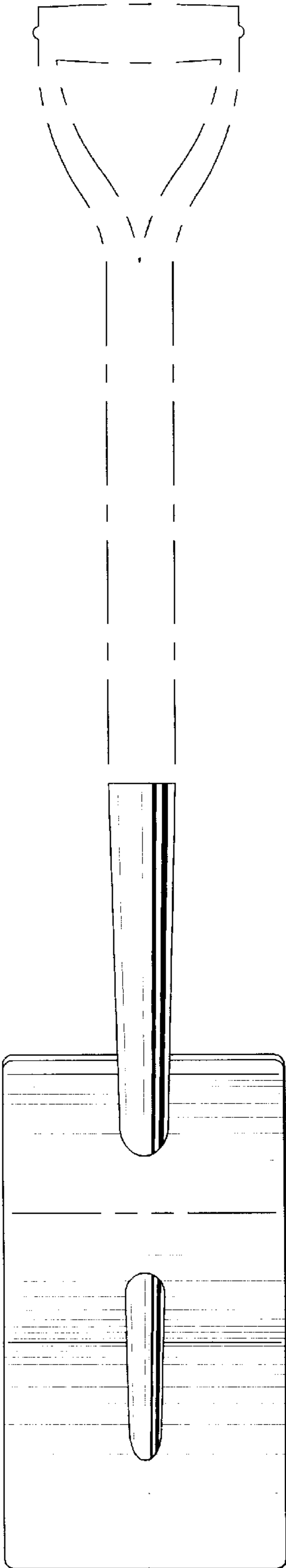


Fig 4

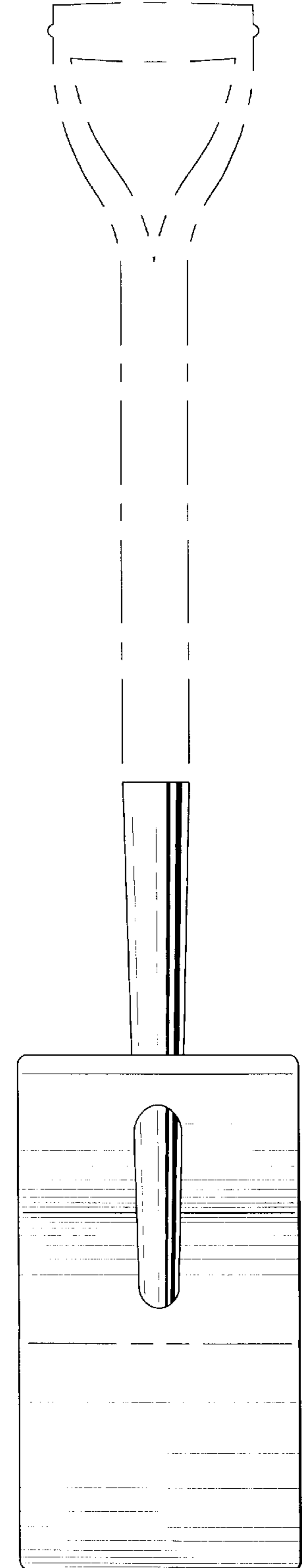


Fig 5

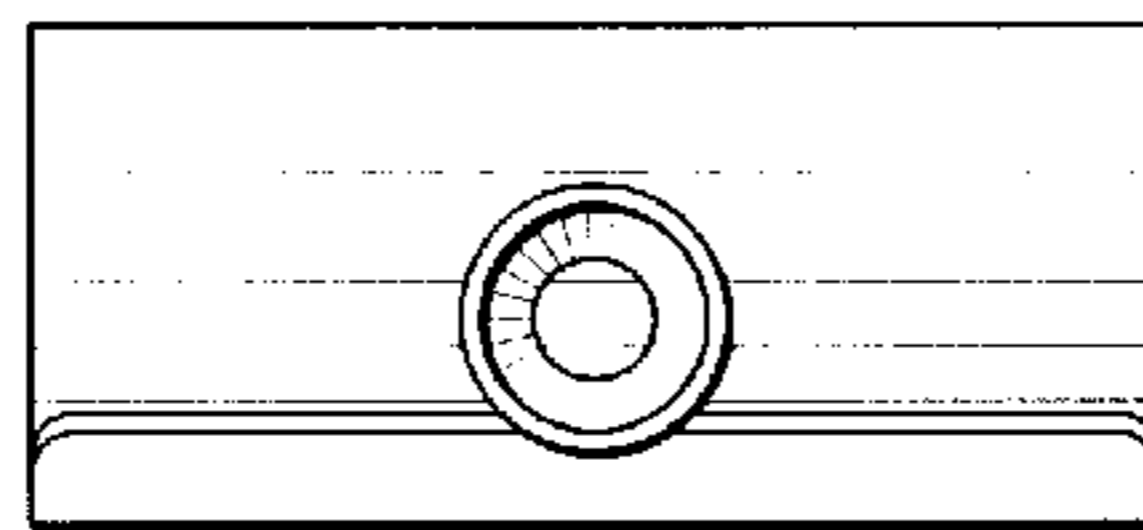


Fig 6

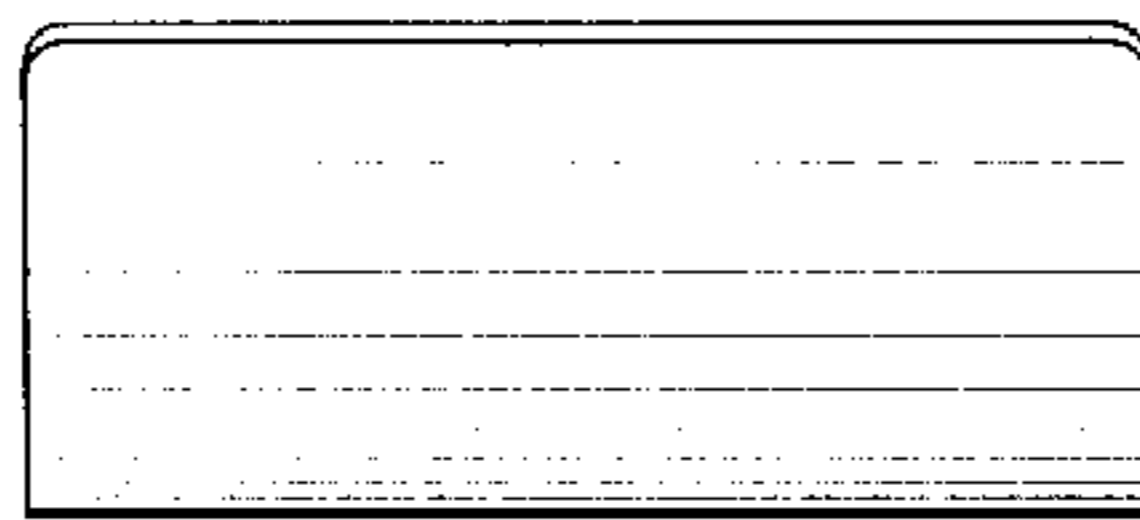


Fig 7

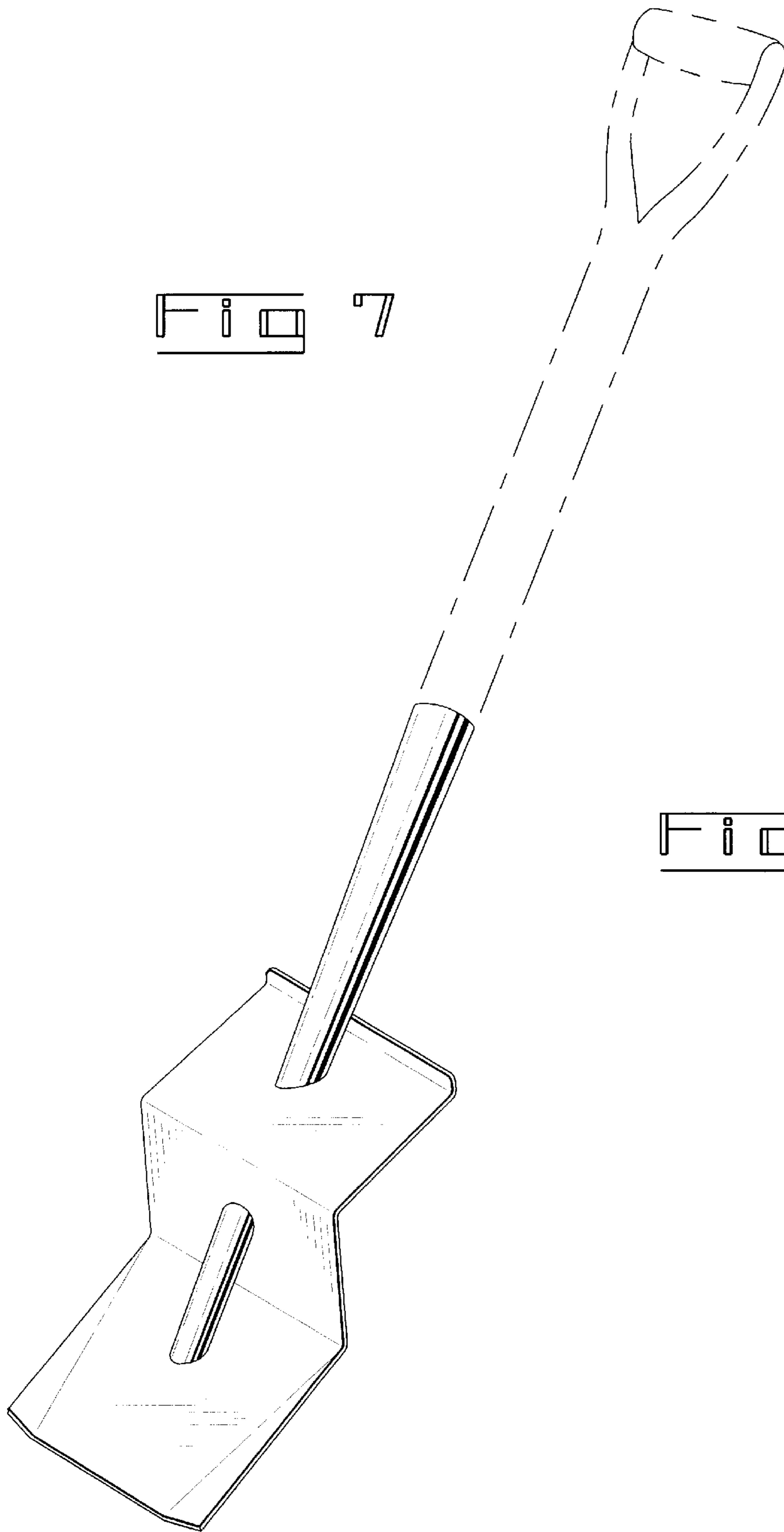


Fig 8

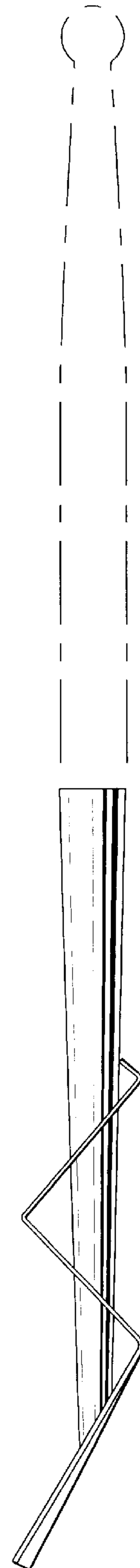


Fig 9

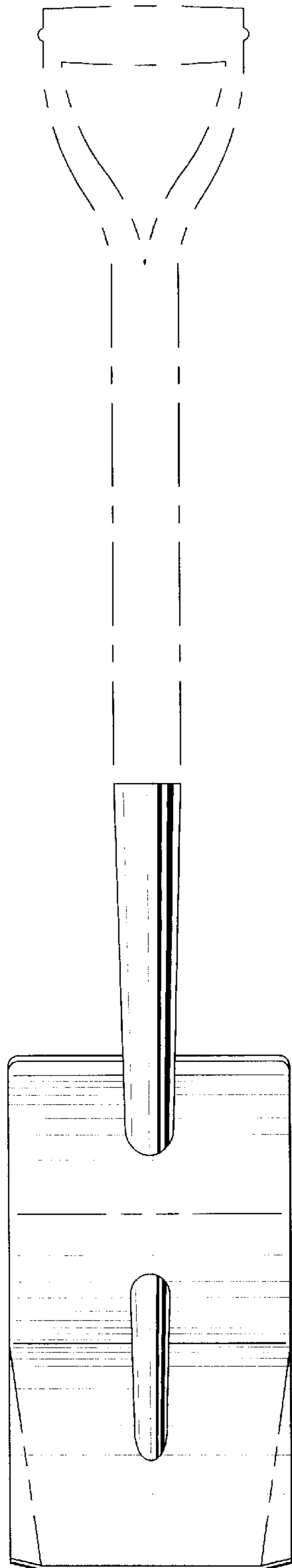


Fig 10

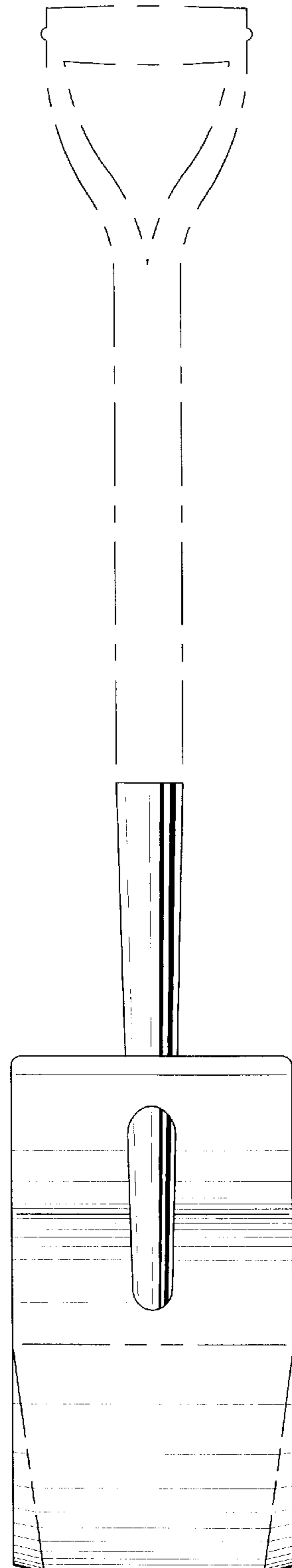


Fig 11

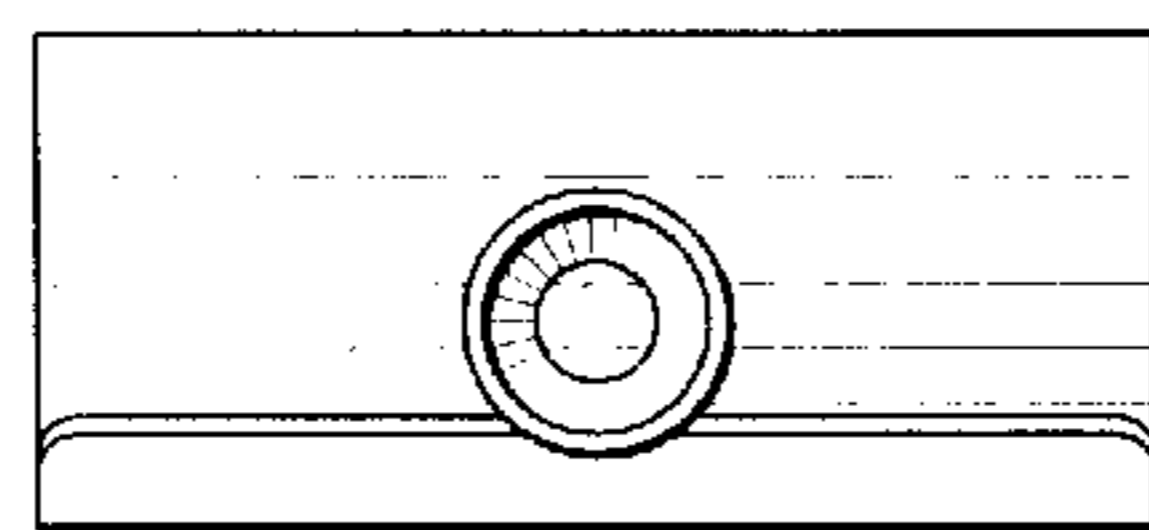


Fig 12

