



US00D395382S

**United States Patent** [19]

[11] **Patent Number: Des. 395,382**

**Liao**

[45] **Date of Patent: \*\*Jun. 23, 1998**

[54] **DUAL PRUNING BLADE**

OTHER PUBLICATIONS

[75] Inventor: **Dick Liao**, Bridgewater, Mass.

Clapper's Summer Garden Catalog; Porter Lopper—Item D, #H0290P; p. 19, Jun. 2, 1997

[73] Assignee: **Greenlife Inc.**, Bridgewater, Mass.

*Primary Examiner*—Alan P. Douglas  
*Assistant Examiner*—Lavone D. Tabor  
*Attorney, Agent, or Firm*—Salter & Michaelson

[\*\*] Term: **14 Years**

[57] **CLAIM**

[21] Appl. No.: **71,589**

The ornamental design for a dual pruning blade, as shown and described.

[22] Filed: **Jun. 3, 1997**

[51] **LOC (6) Cl. .... 08-01**

**DESCRIPTION**

[52] **U.S. Cl. .... D8/5**

FIG. 1 is a front elevational view of a dual pruning blade showing my new design;

[58] **Field of Search** ..... D8/4, 5; 30/131, 30/135, 173, 175, 176, 181, 194, 226, 237-239, 244, 245, 249-252

FIG. 2 is a rear elevational view thereof;

FIG. 3 is a left side view thereof;

FIG. 4 is a right side view thereof;

FIG. 5 is as top plan view thereof;

FIG. 6 is a bottom plan view thereof; and,

FIG. 7 is an elevational view showing the pruning blades in an operative position mounted on a handle member.

The portions illustrated in broken lines in FIGS. 1 and 7 are for informational purposes only, and are not intended to form any part of the present design.

[56] **References Cited**

**U.S. PATENT DOCUMENTS**

D. 251,232	3/1979	Yamamoto	.....	D8/5
D. 276,880	12/1984	Tozaburo	.....	D8/52
506,568	10/1893	Townsend	.....	30/226
529,258	11/1894	Gardner et al.	.....	30/226
2,520,905	9/1950	Borrelli	.....	30/237

**1 Claim, 3 Drawing Sheets**

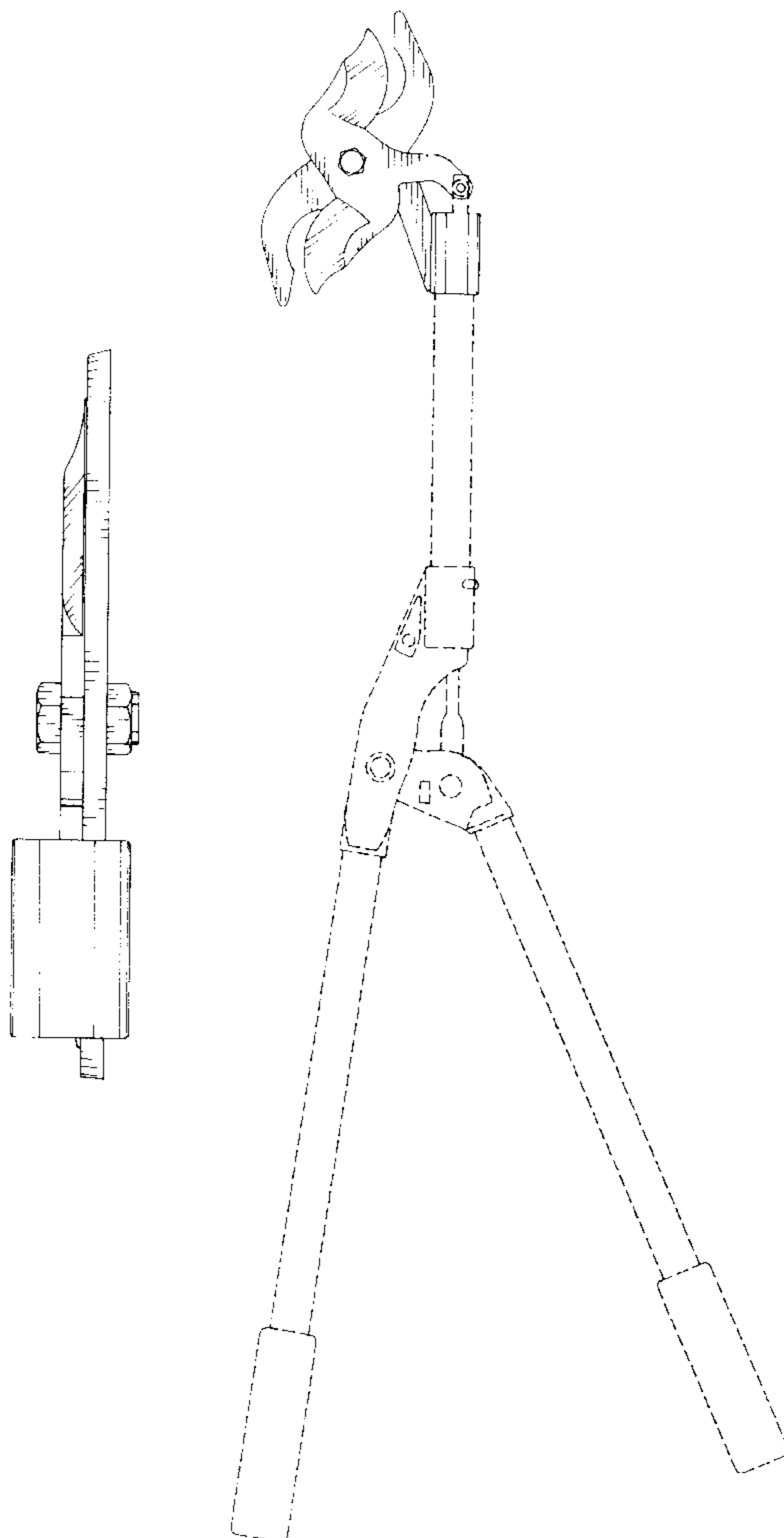


FIG. 1

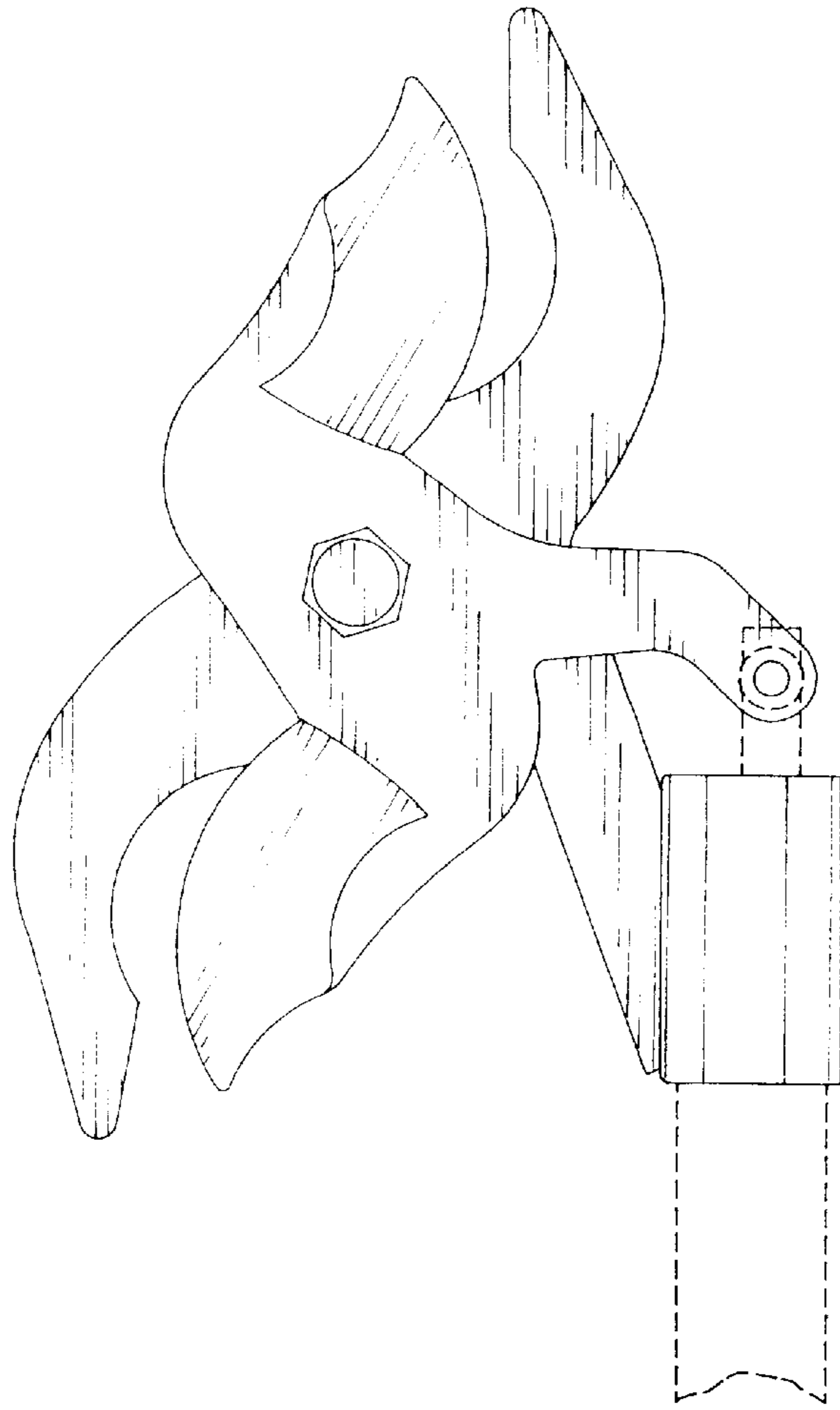
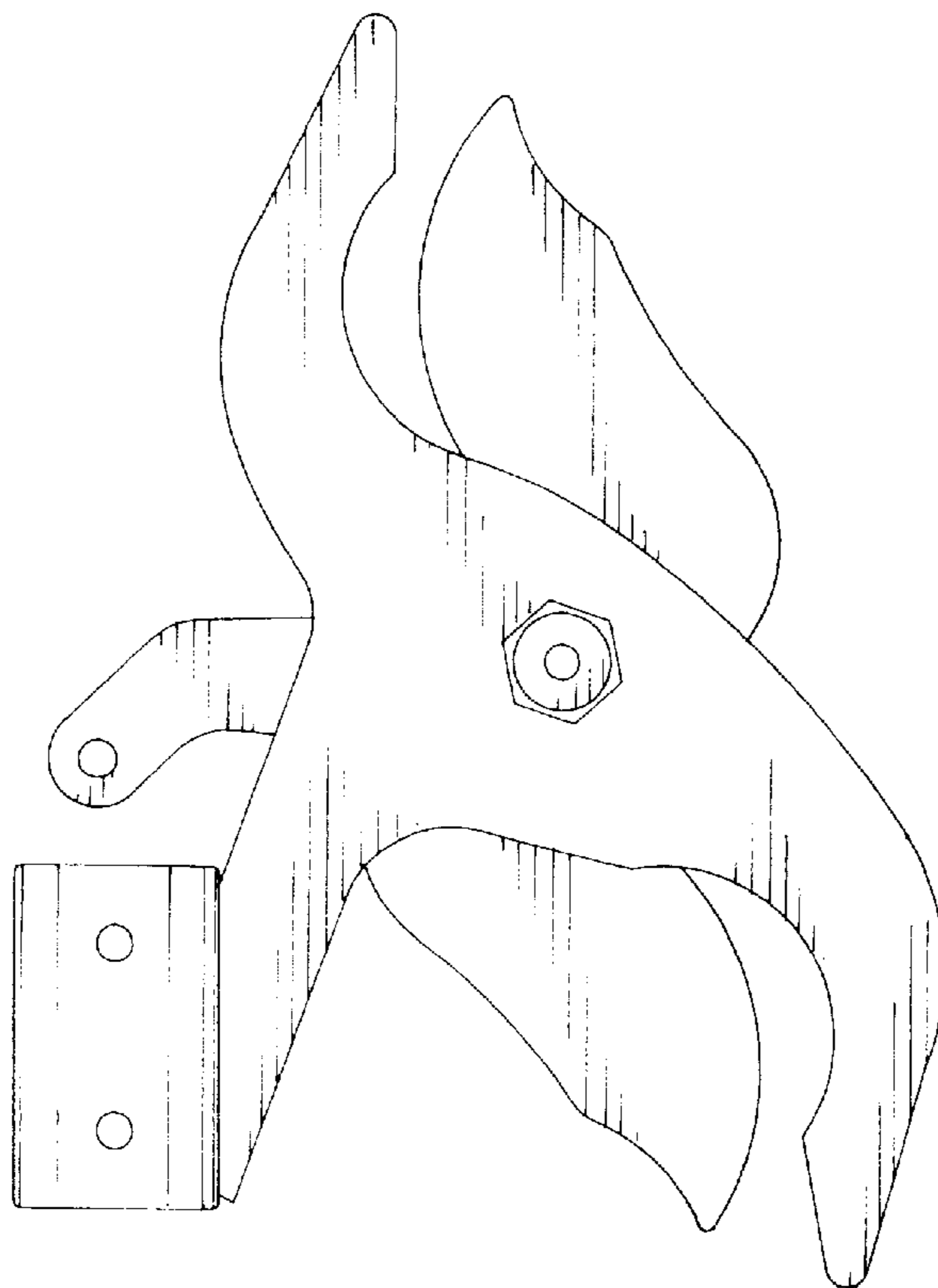


FIG. 2



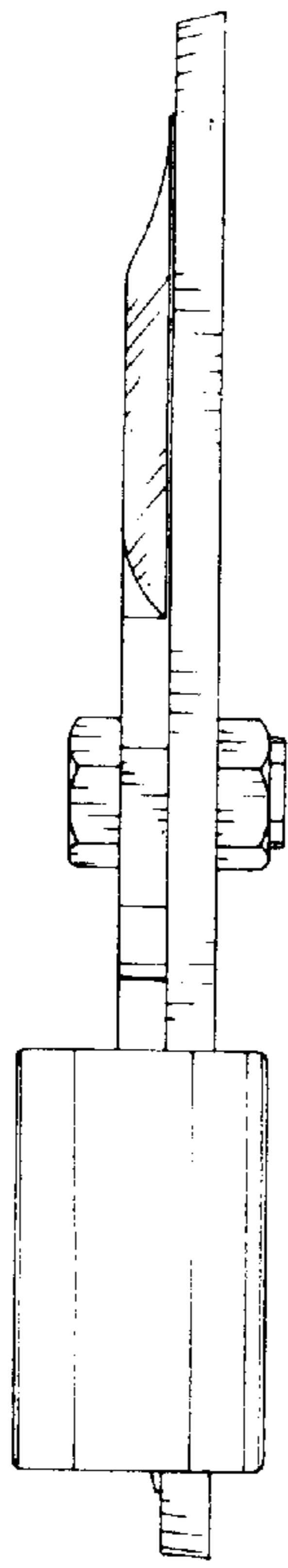


FIG. 3

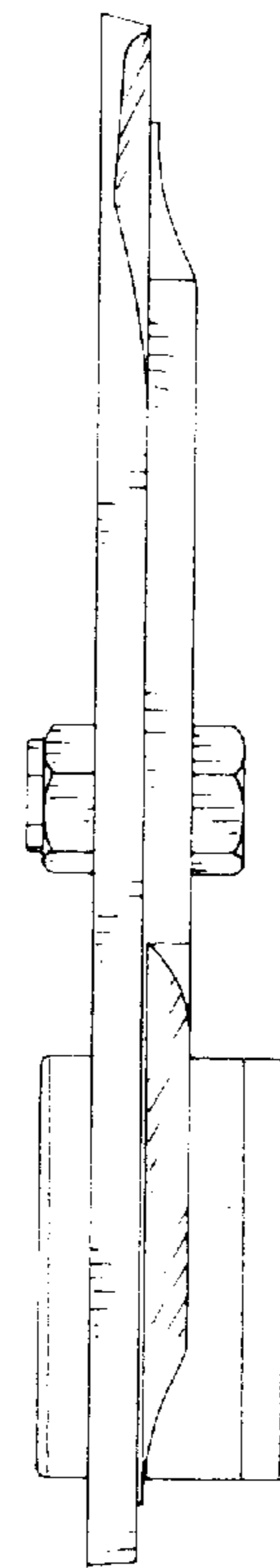


FIG. 4

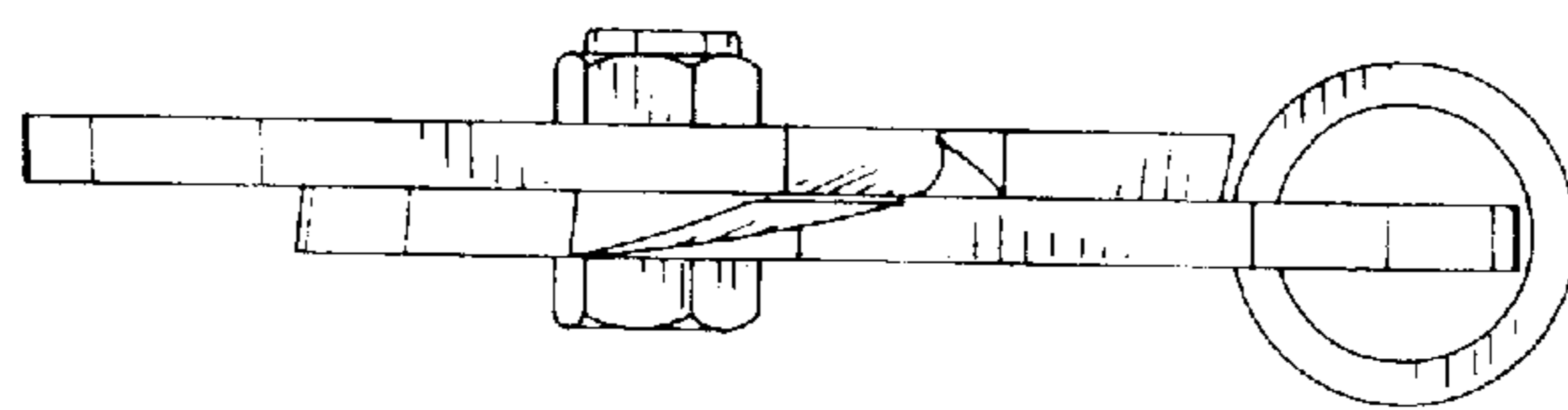


FIG. 5

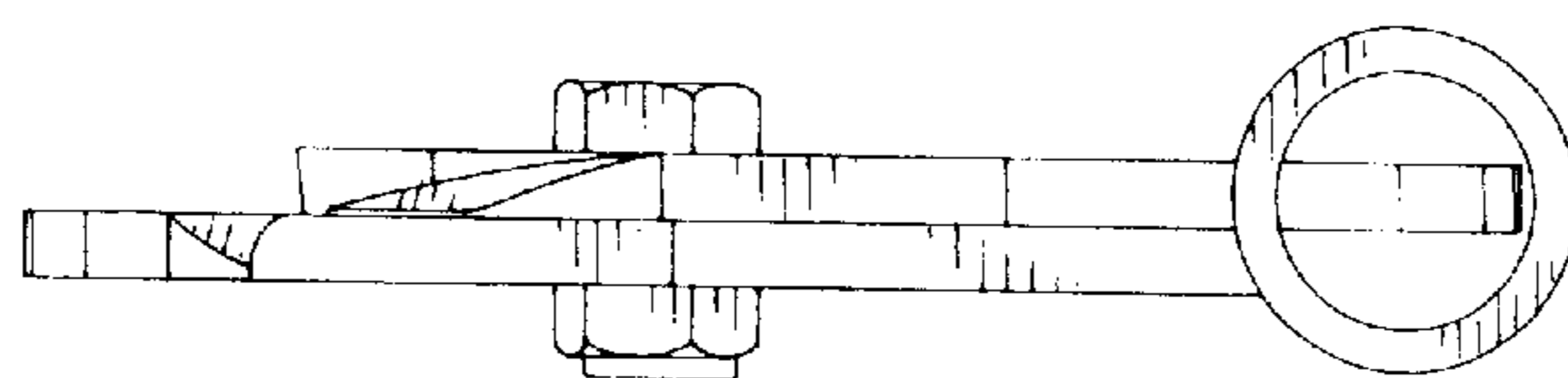


FIG. 6

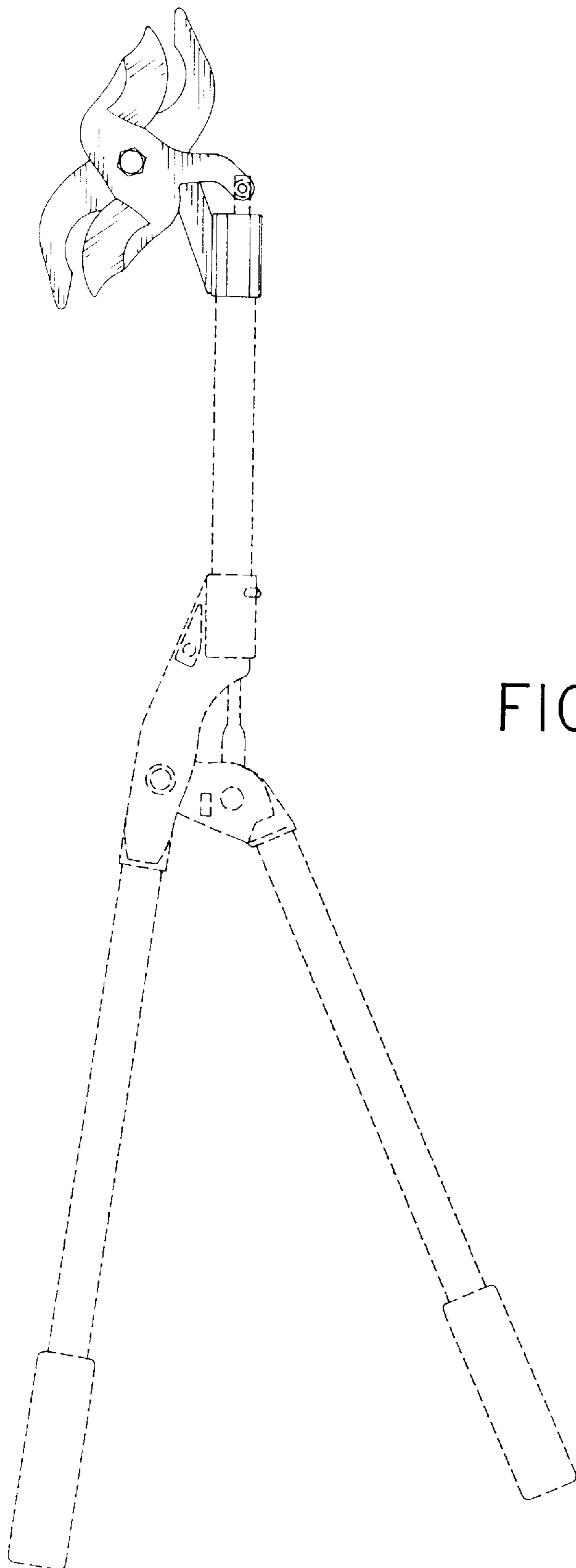


FIG. 7