



US00D395380S

United States Patent [19]

Arita et al.

[11] **Patent Number: Des. 395,380**

[45] **Date of Patent: **Jun. 23, 1998**

[54] **ELECTRIC GRATER**

[75] Inventors: **Toyomi Arita**, Osaka; **Shigehiro Uemura**, Kyoto; **Kazuo Takada**, Nara, all of Japan

[73] Assignee: **Sanyo Electric Co., Ltd.**, Osaka, Japan

[**] Term: **14 Years**

[21] Appl. No.: **73,410**

[22] Filed: **Jul. 8, 1997**

[30] **Foreign Application Priority Data**

Jan. 8, 1997 [JP] Japan 9-276

[51] **LOC (6) Cl.** **07-04**

[52] **U.S. Cl.** **D7/678; D7/372**

[58] **Field of Search** **D7/372, 381-385, D7/673, 678, 693; 241/93, 168, 169.1, 273.3**

[56] **References Cited**

U.S. PATENT DOCUMENTS

- D. 276,202 11/1984 Shun .
- 5,364,037 11/1994 Bigelow 241/93
- 5,660,341 8/1997 Perkins et al. 241/93

OTHER PUBLICATIONS

Ariete catalog, "Grati' Risponde A Due Grandibisogni: Grattugiare•It Grates", Jun. 1993, 3 pages.

Primary Examiner—Terry A. Wallace
Attorney, Agent, or Firm—Loeb & Loeb LLP

[57] **CLAIM**

The ornamental design for an electric grater, as shown and described.

DESCRIPTION

FIG. 1 is a front perspective view of an electric grater showing our new design, the electric grater includes a battery that is fragmentarily shown in broken lines for illustrative purposes only and forms no part of the claimed design;

FIG. 2 is another front perspective view of FIG. 1 showing a pressing part in an open position;

FIG. 3 is a front view thereof;

FIG. 4 is a rear view thereof;

FIG. 5 is a top view thereof;

FIG. 6 is a bottom view thereof;

FIG. 7 is a left side view thereof; and,

FIG. 8 is a right side view thereof.

1 Claim, 4 Drawing Sheets

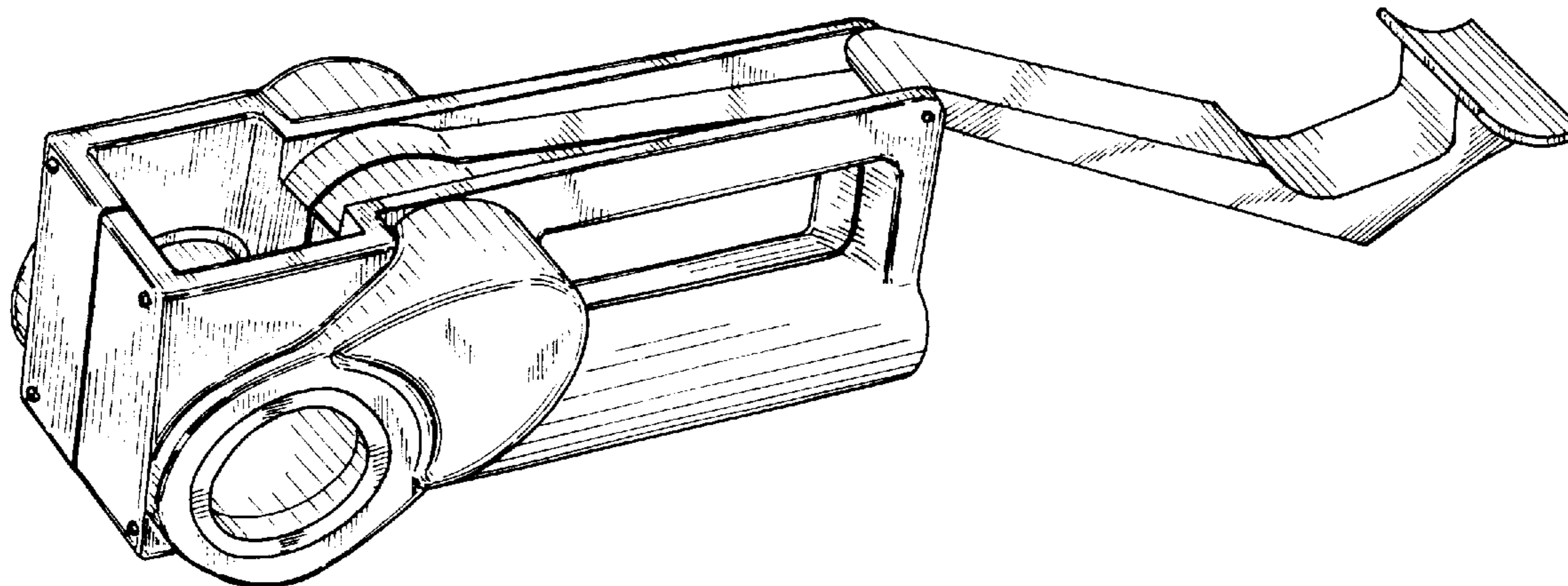


FIG. 1

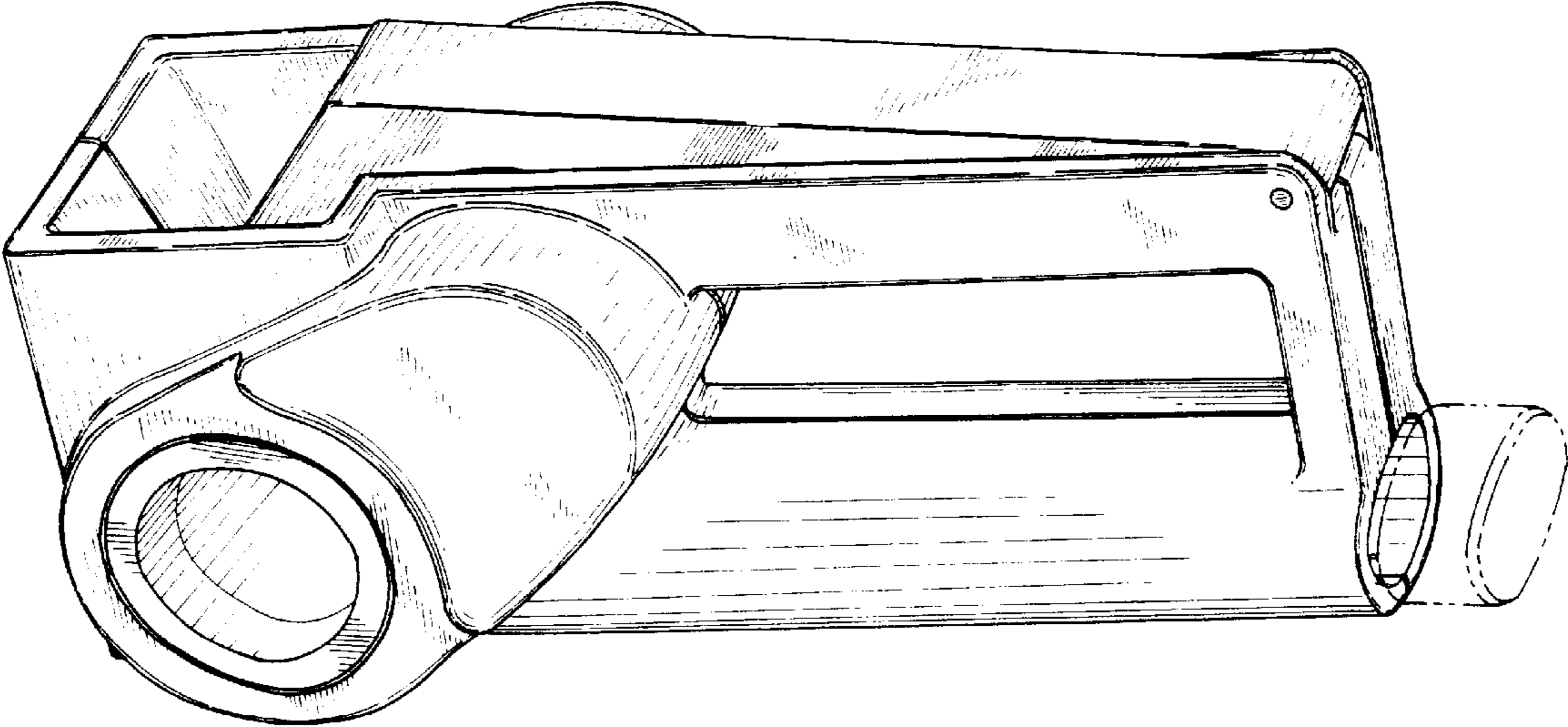


FIG. 2

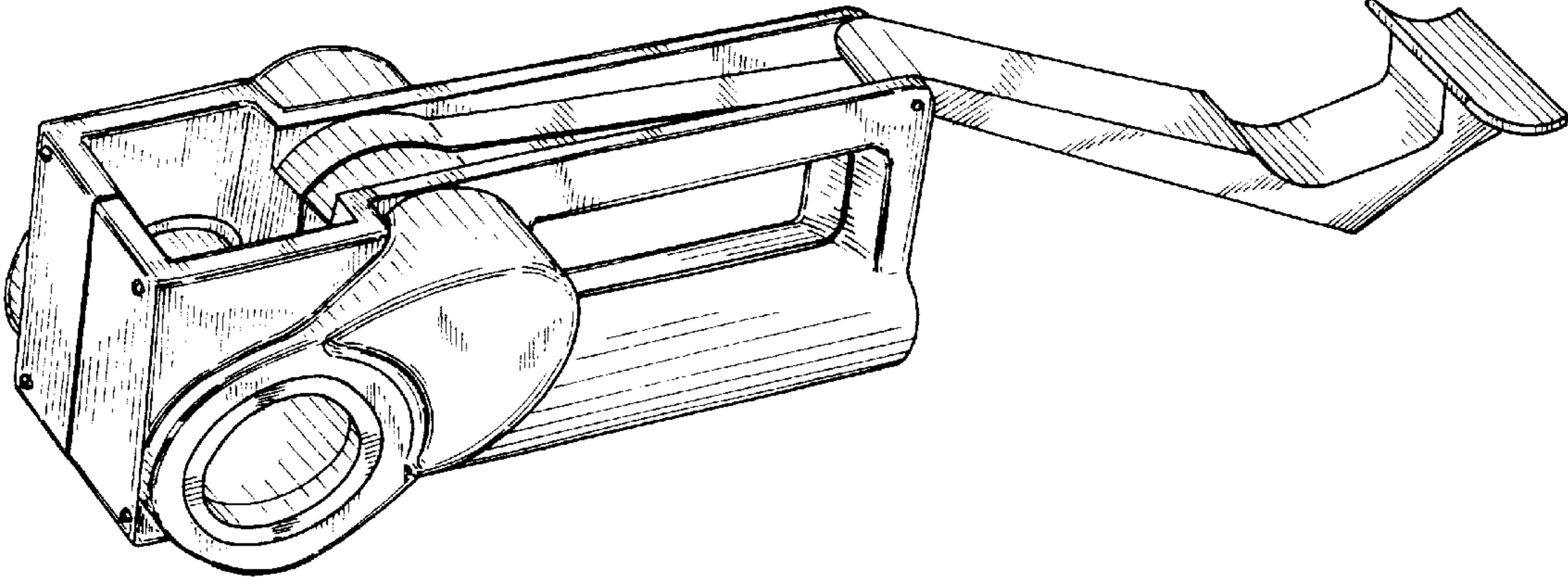


FIG. 3

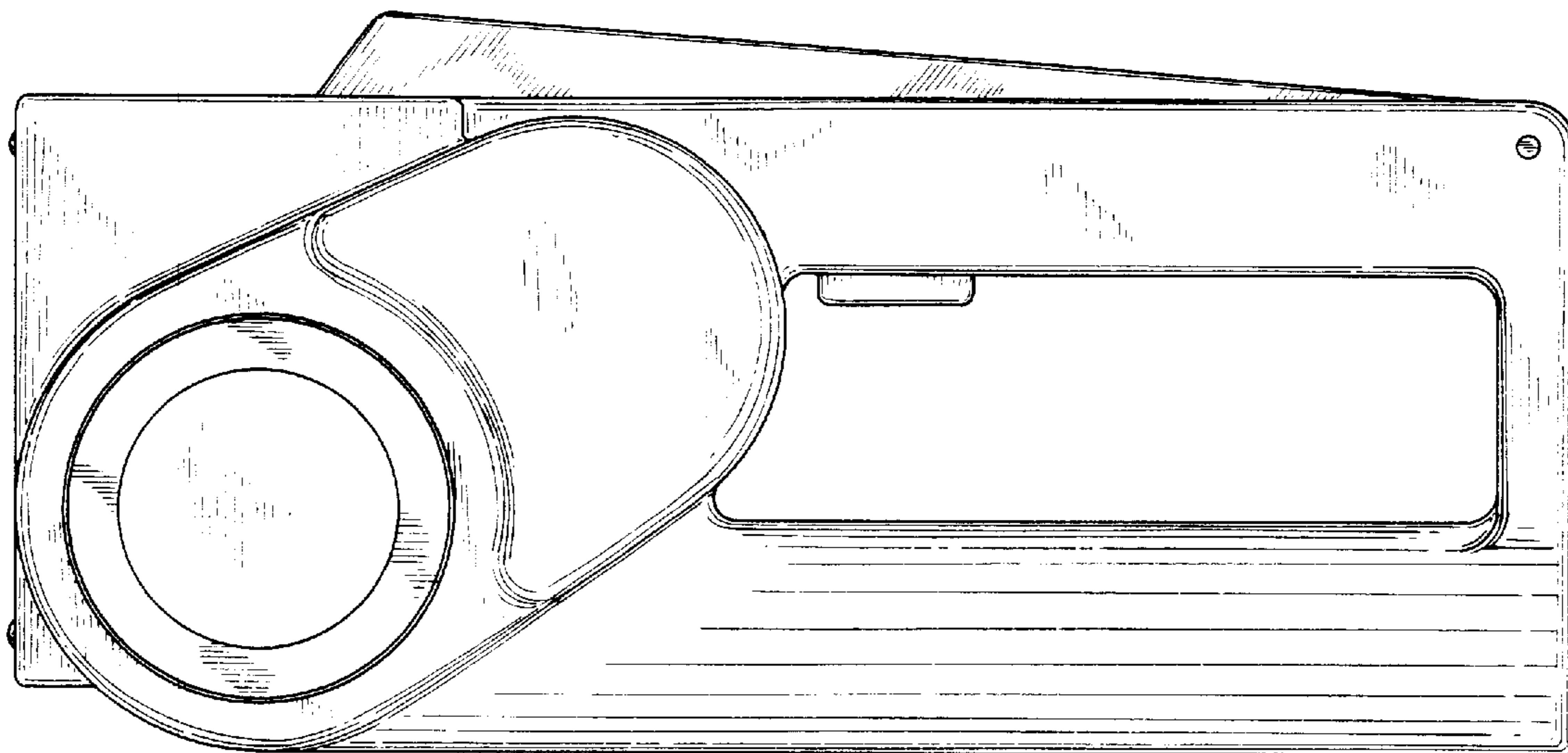


FIG. 4

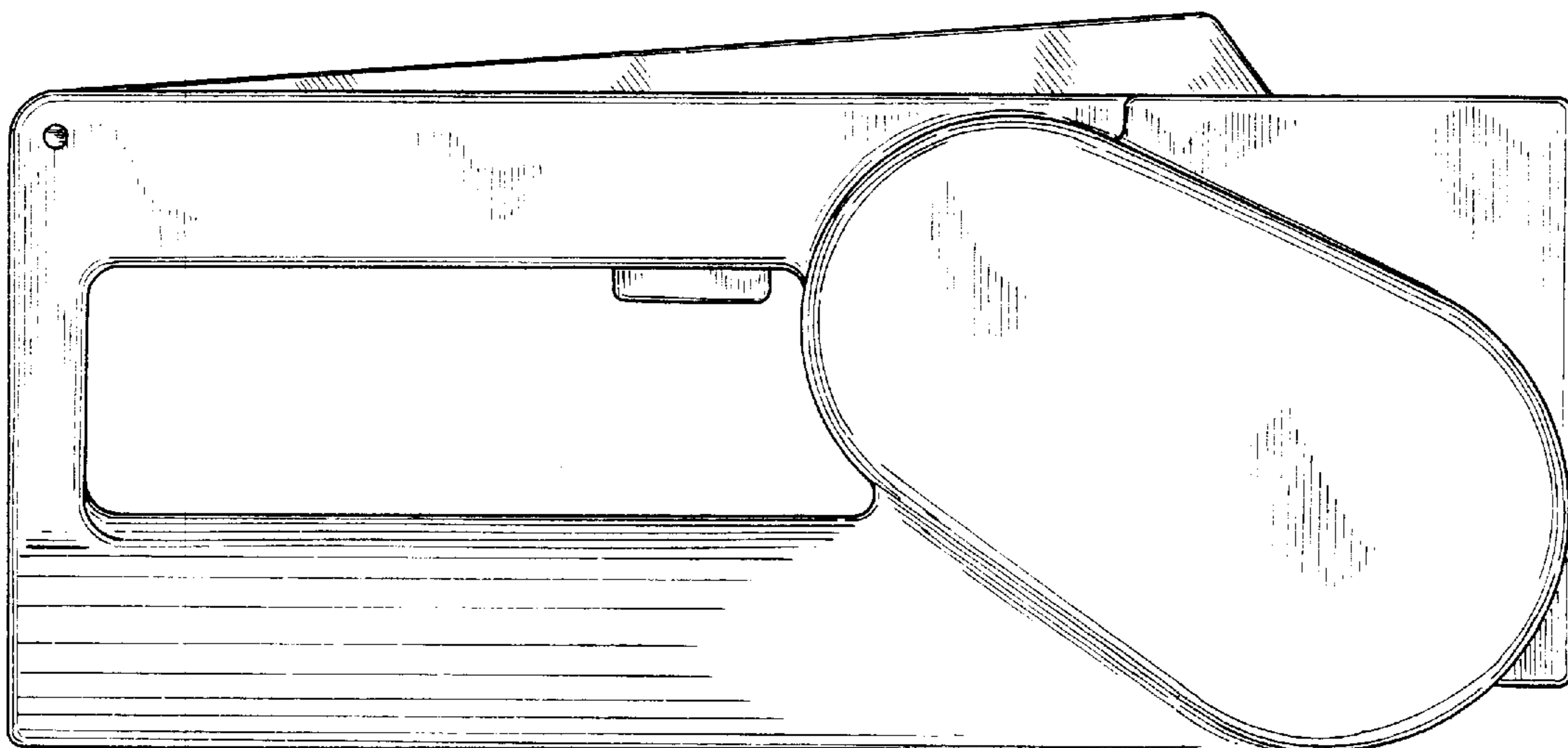


FIG. 5

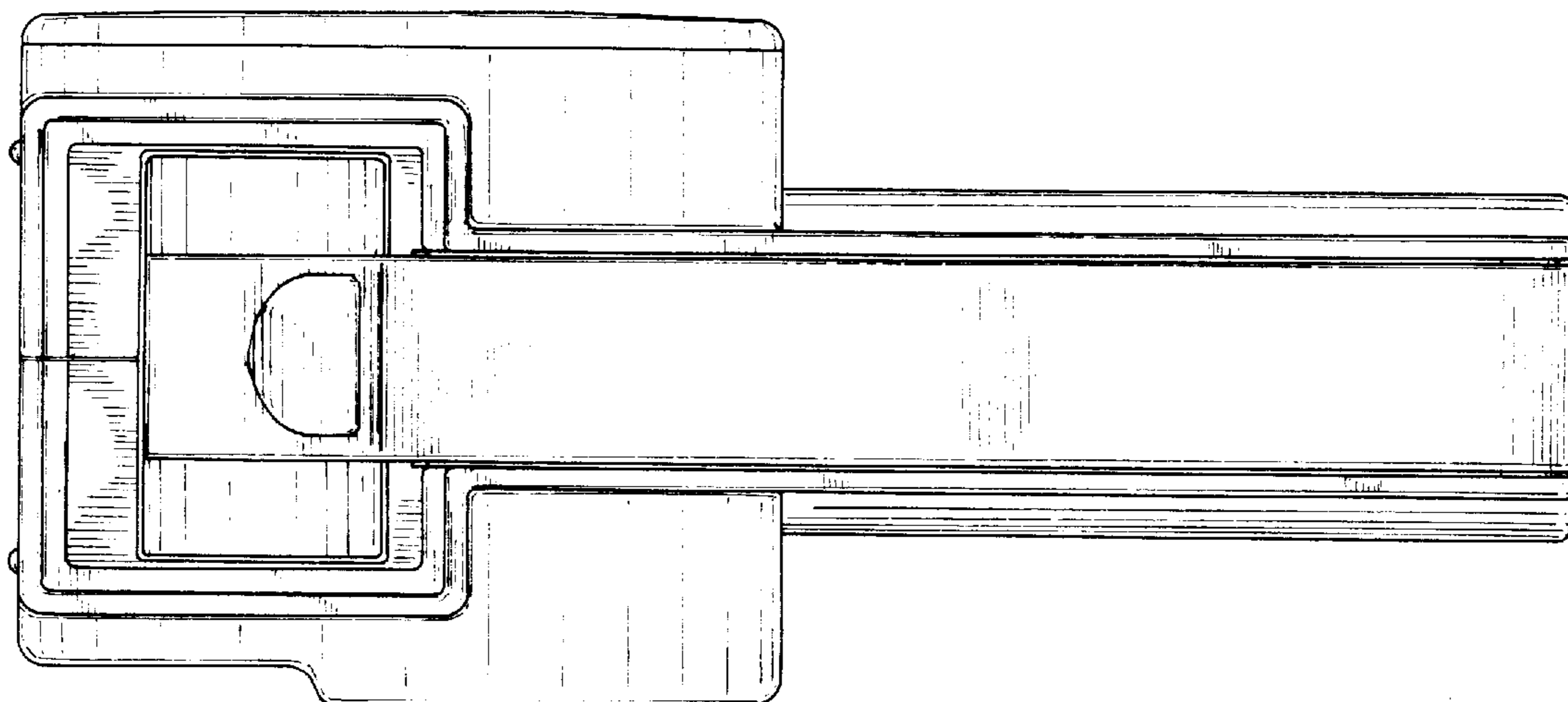


FIG. 6

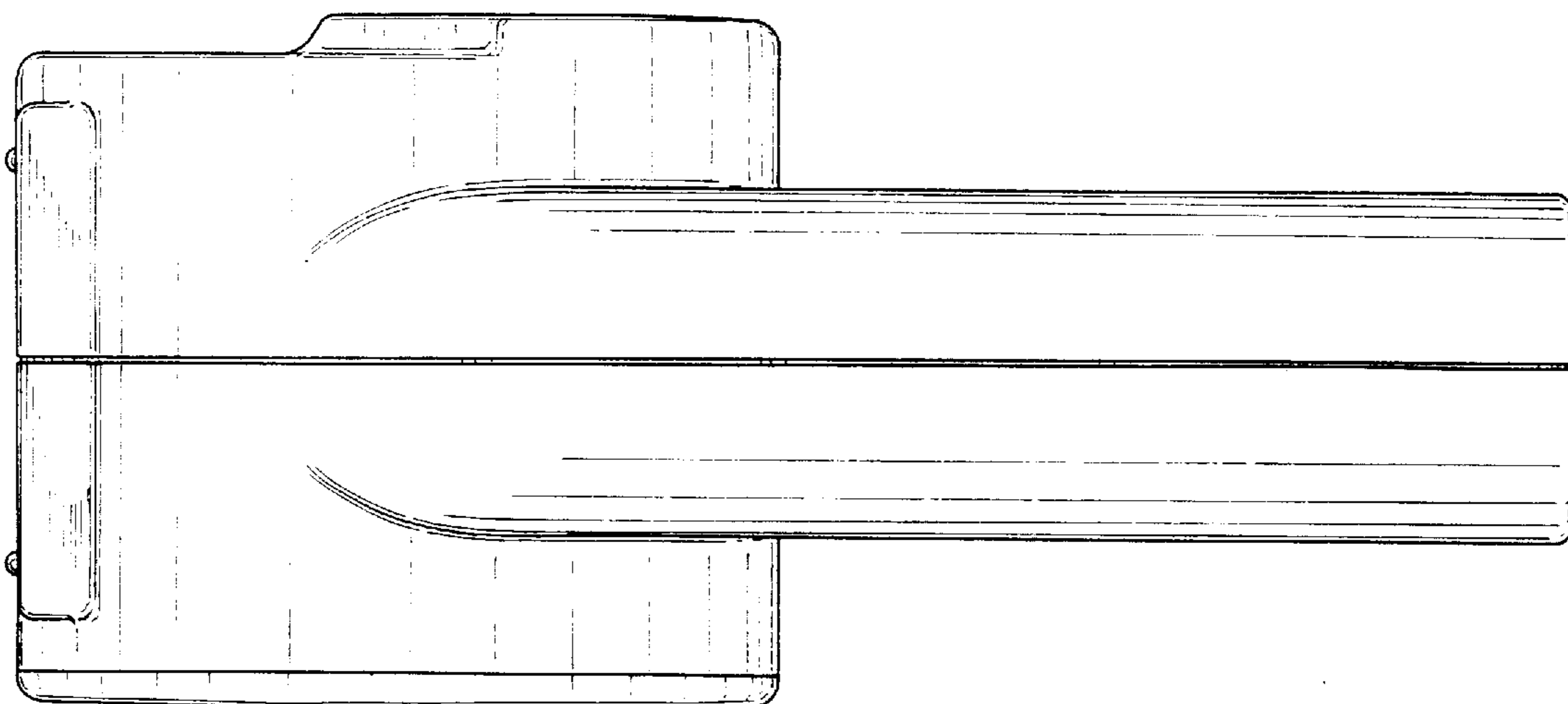


FIG. 7

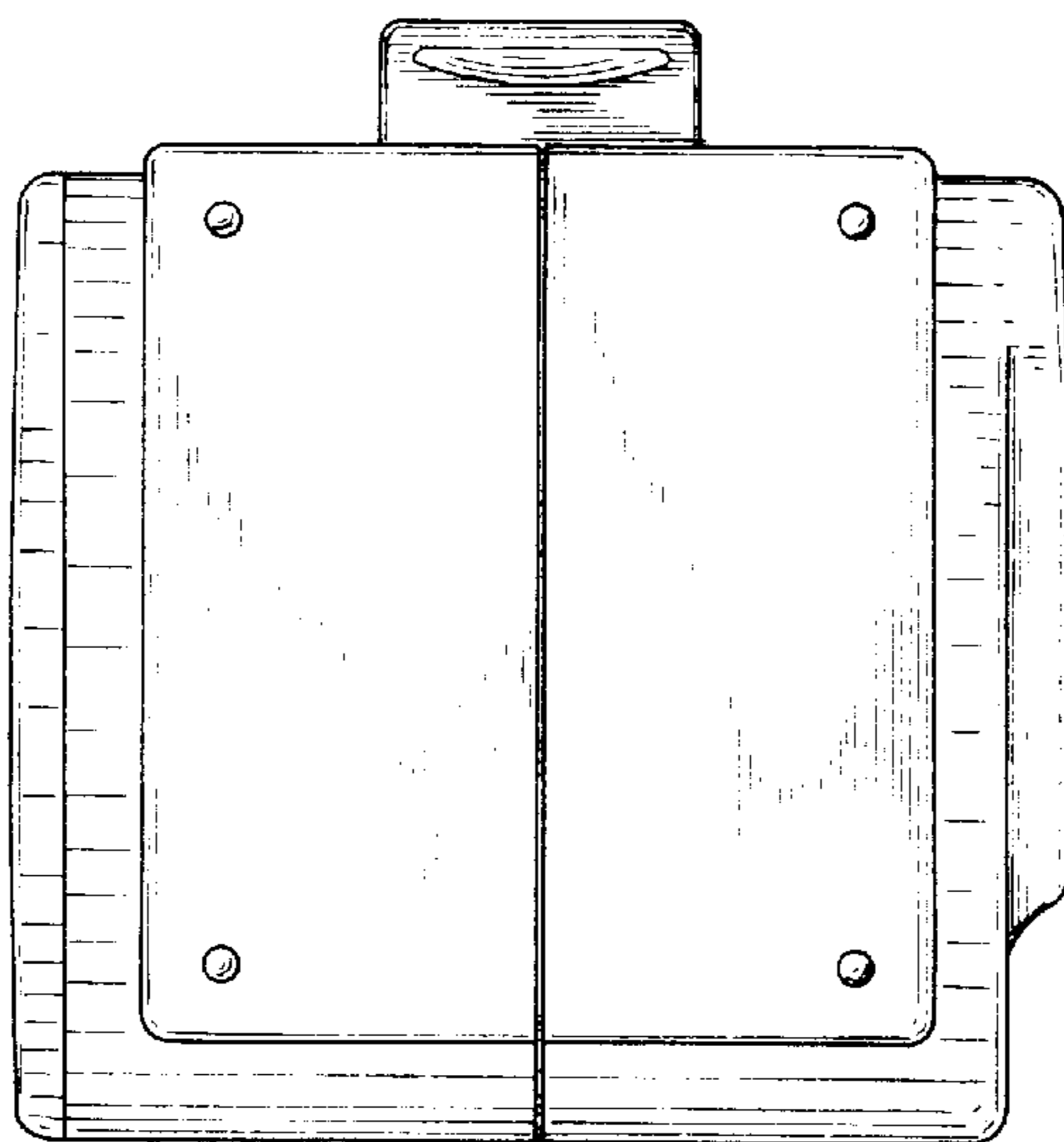


FIG. 8

