



US00D395378S

United States Patent [19]

Schlosser et al.

[11] Patent Number: **Des. 395,378**

[45] Date of Patent: ****Jun. 23, 1998**

[54] **PORTABLE BARBECUE CART WITH SIDE ARMS**

[75] Inventors: **Erich J. Schlosser**, Barrington; **J. Michael Alden**, Palatine; **Robert T. Stephen**, Barrington, all of Ill.

[73] Assignee: **Weber-Stephen Products Co.**, Palatine, Ill.

[**] Term: **14 Years**

[21] Appl. No.: **58,161**

[22] Filed: **Aug. 9, 1996**

[51] **LOC (6) Cl.** **07-02**

[52] **U.S. Cl.** **D7/403; D7/334**

[58] **Field of Search** D6/574, 555, 511, D6/396; D7/332-337, 402-404; 126/25 R, 25 A, 25 AA, 29-30, 9 R, 9 A, 9 B

[56] **References Cited**

U.S. PATENT DOCUMENTS

D. 219,629	12/1970	Koziol .	
D. 292,150	10/1987	Restin et al.	D6/511
D. 293,067	12/1987	Stephen et al. .	
D. 316,355	4/1991	Stephen et al. .	
D. 321,300	11/1991	Postic	D6/511
D. 322,909	1/1992	Parent et al. .	
D. 324,622	3/1992	Baynes et al.	D7/334
D. 325,316	4/1992	Parent et al. .	
D. 342,121	12/1993	Lim	D7/332
2,207,307	7/1940	Teller et al. .	
2,541,528	2/1951	McAvoy .	
3,391,682	7/1968	King et al. .	
4,677,964	7/1987	Lohmeyer et al. .	
4,696,282	9/1987	Incitti .	
4,718,399	1/1988	Shepherd .	
4,770,157	9/1988	Shepherd et al. .	
4,886,045	12/1989	Ducate, Jr. et al. .	
4,924,846	5/1990	Peacock et al. .	
5,050,577	9/1991	Baynes et al. .	
5,070,776	12/1991	Schlosser et al. .	
5,072,718	12/1991	Seal .	
5,076,256	12/1991	Raymer et al. .	

5,076,257	12/1991	Raymer et al. .	
5,090,398	2/1992	Raymer et al. .	
5,109,834	5/1992	Collins et al. .	
5,140,973	8/1992	Home	126/41 R
5,203,317	4/1993	James .	
5,323,758	6/1994	Minshall et al. .	
5,341,793	8/1994	Brown .	
5,408,985	4/1995	Giebel et al. .	
5,452,707	9/1995	Harris et al. .	
5,483,947	1/1996	Giebel et al. .	
5,505,190	4/1996	Kalenian	126/41 R
5,623,866	4/1997	Home	99/444

FOREIGN PATENT DOCUMENTS

94063	11/1986	Australia .
2582086	5/1985	France .
46671	8/1964	United Kingdom .

OTHER PUBLICATIONS

Thermos "Tastefully Done", copyright 1988, inside front cover, Thermos—the fashion leader in '89, 1988.
 Weber, "GENESIS Gas Barbecues", no page number, BBQ Grill, Aug. 1995.
 Thermos, "THE THERMOS FAMILY 1993", copyright 1992, p. 11, custom side shelves, 1992.

Primary Examiner—Ruth McInroy
Attorney, Agent, or Firm—Wallenstein & Wagner, Ltd.

[57] **CLAIM**

The ornamental design for a portable barbecue cart with side arms, as shown and described.

DESCRIPTION

FIG. 1 is a perspective view of a portable barbecue cart with side arms showing our new design;
 FIG. 2 is a left side elevation view thereof;
 FIG. 3 is a right side elevation view thereof;
 FIG. 4 is a top plan view thereof;
 FIG. 5 is a front elevation view thereof;
 FIG. 6 is a bottom plan view thereof; and,
 FIG. 7 is a back elevation view thereof.

1 Claim, 3 Drawing Sheets

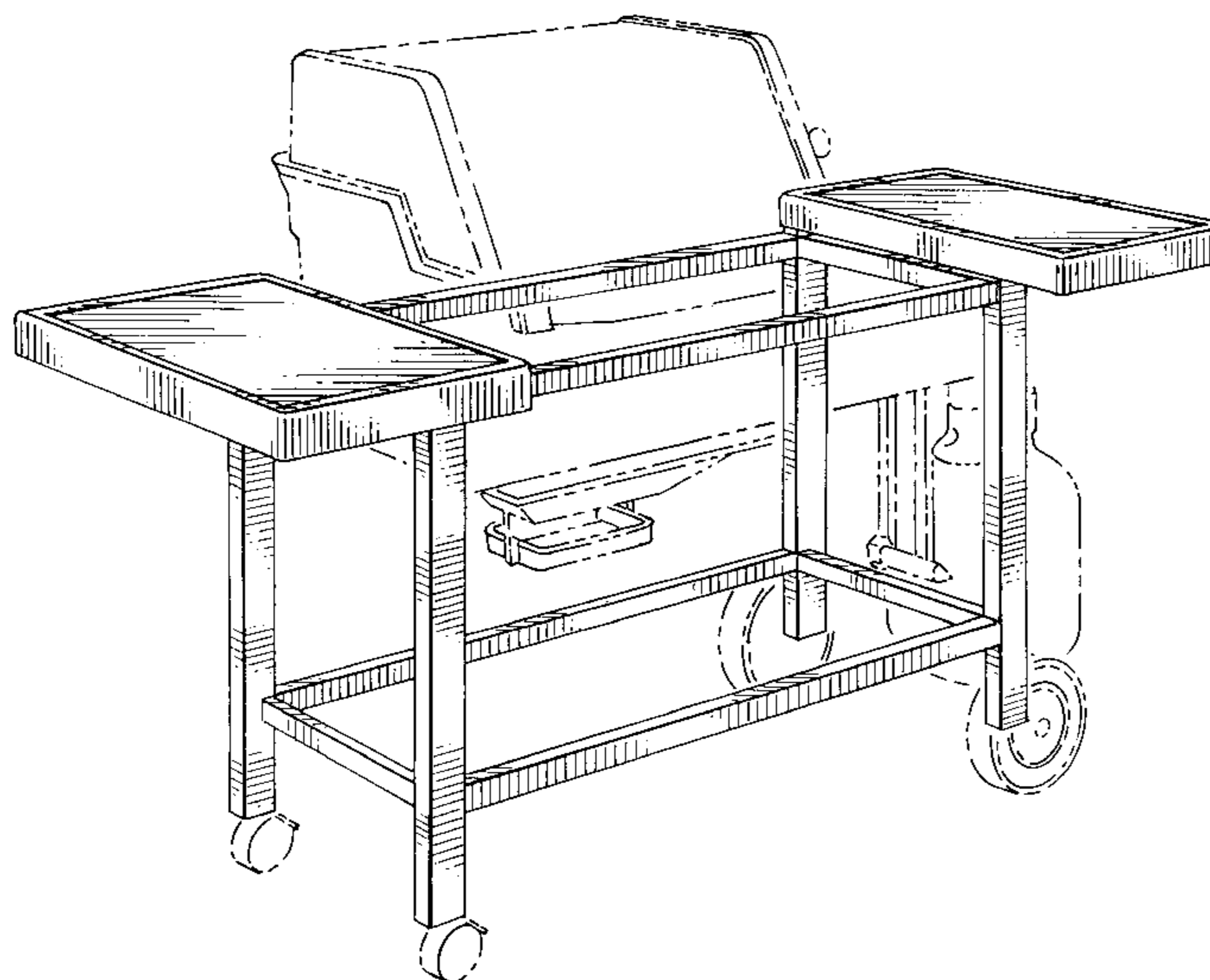


FIG. 1

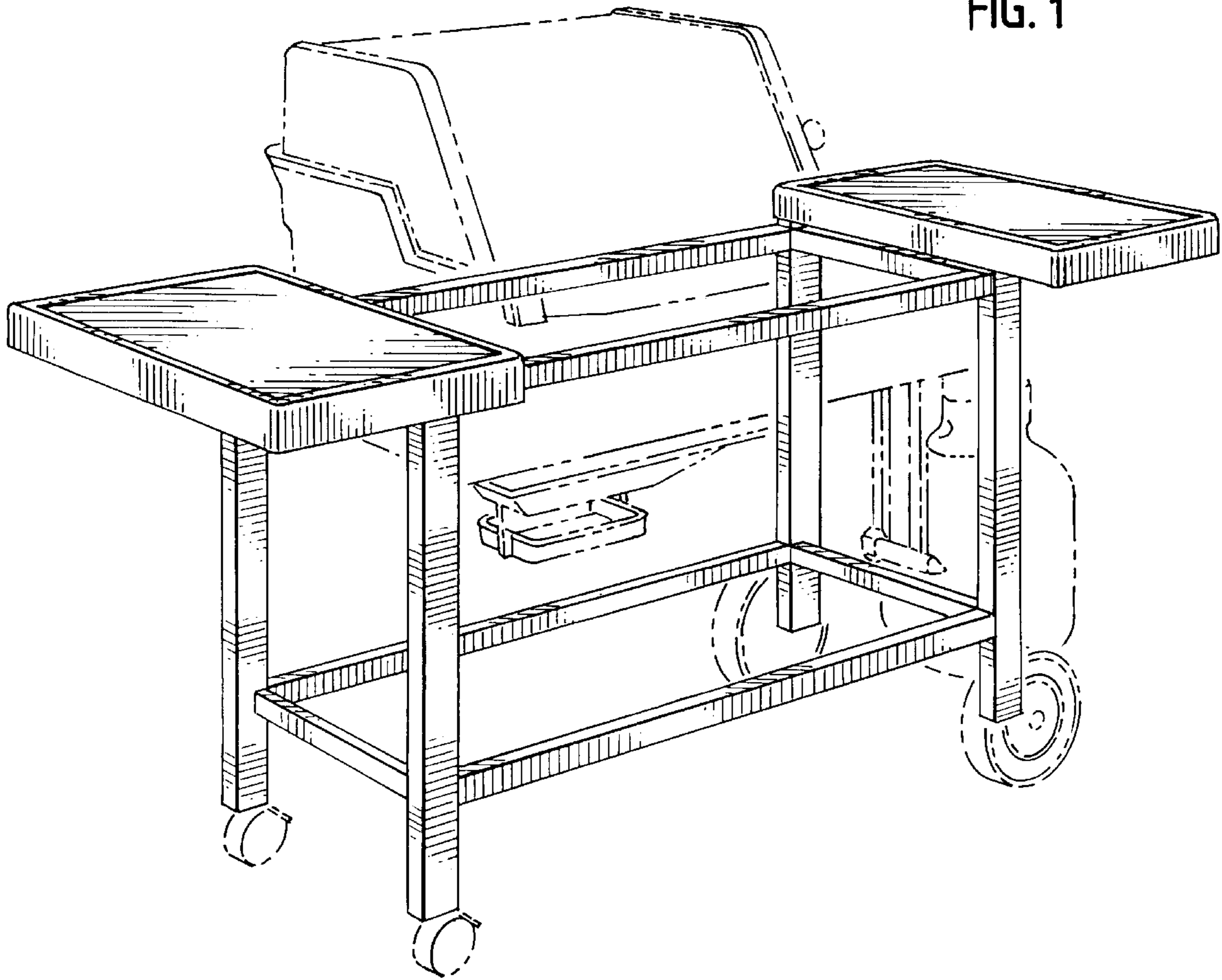


FIG. 2

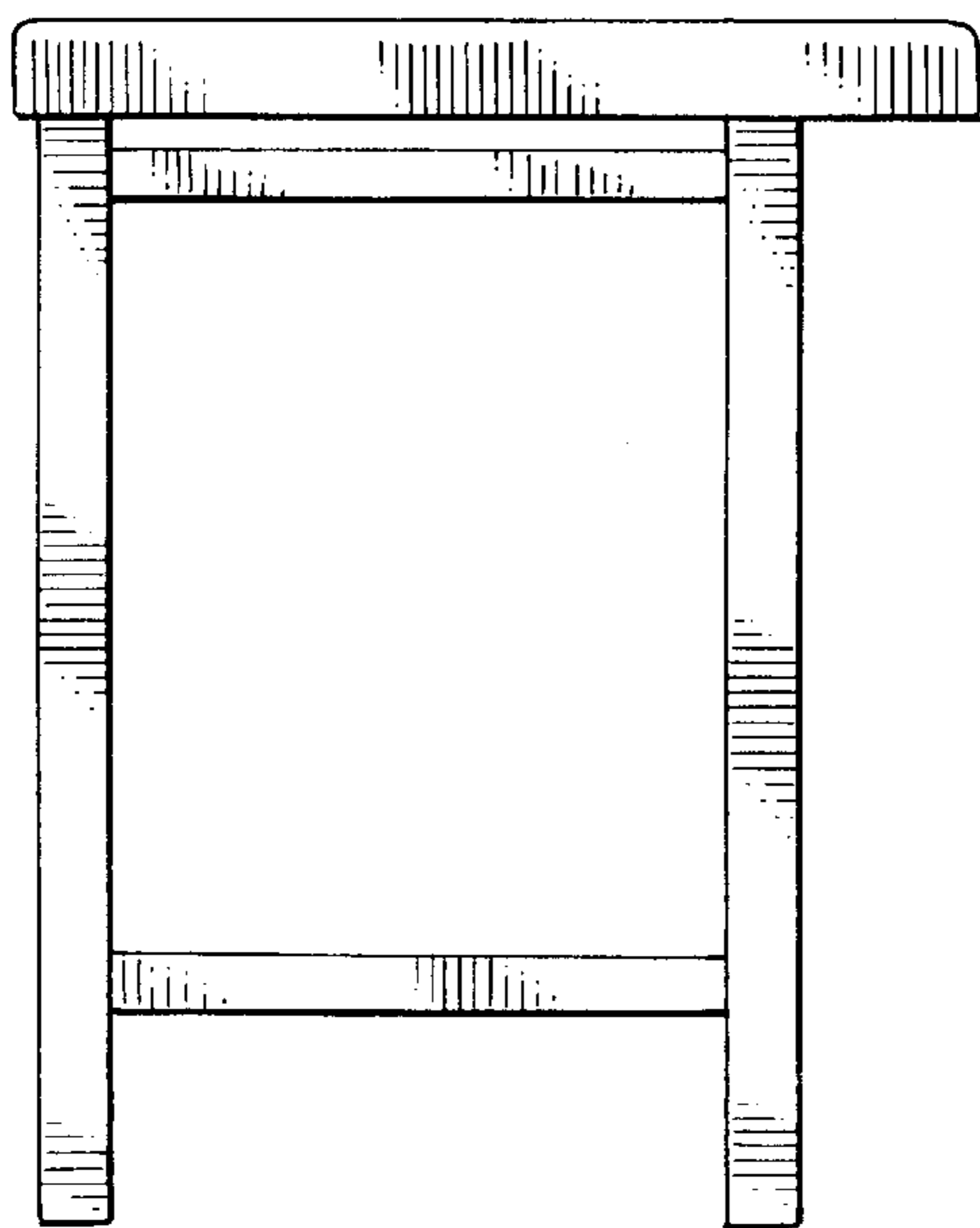


FIG. 3

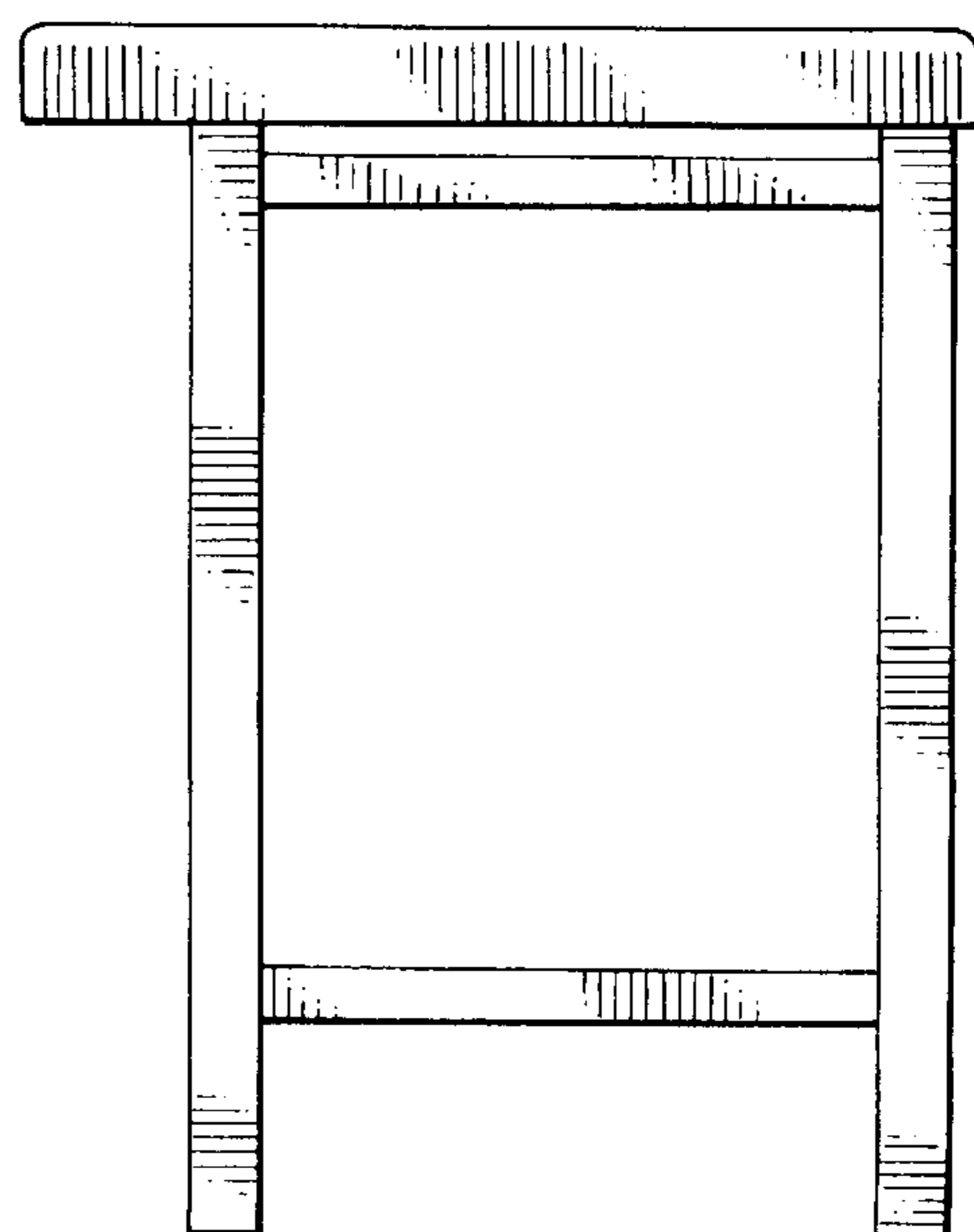


FIG. 4

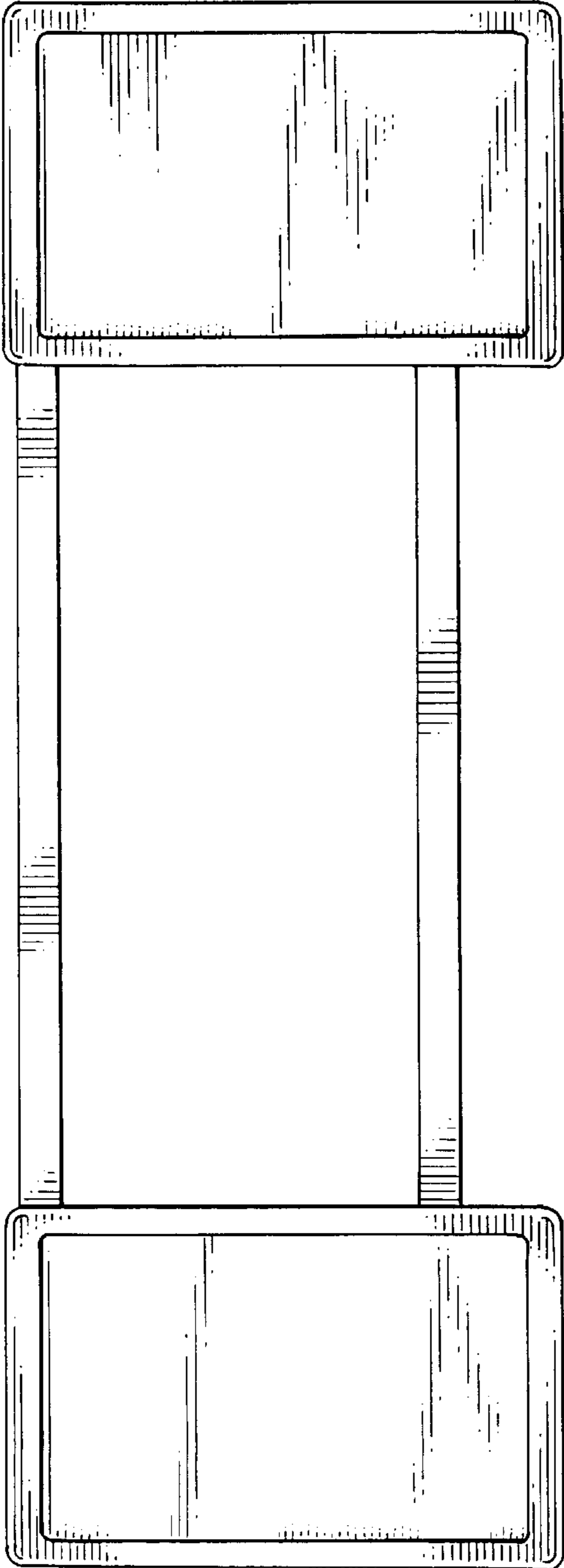


FIG. 5

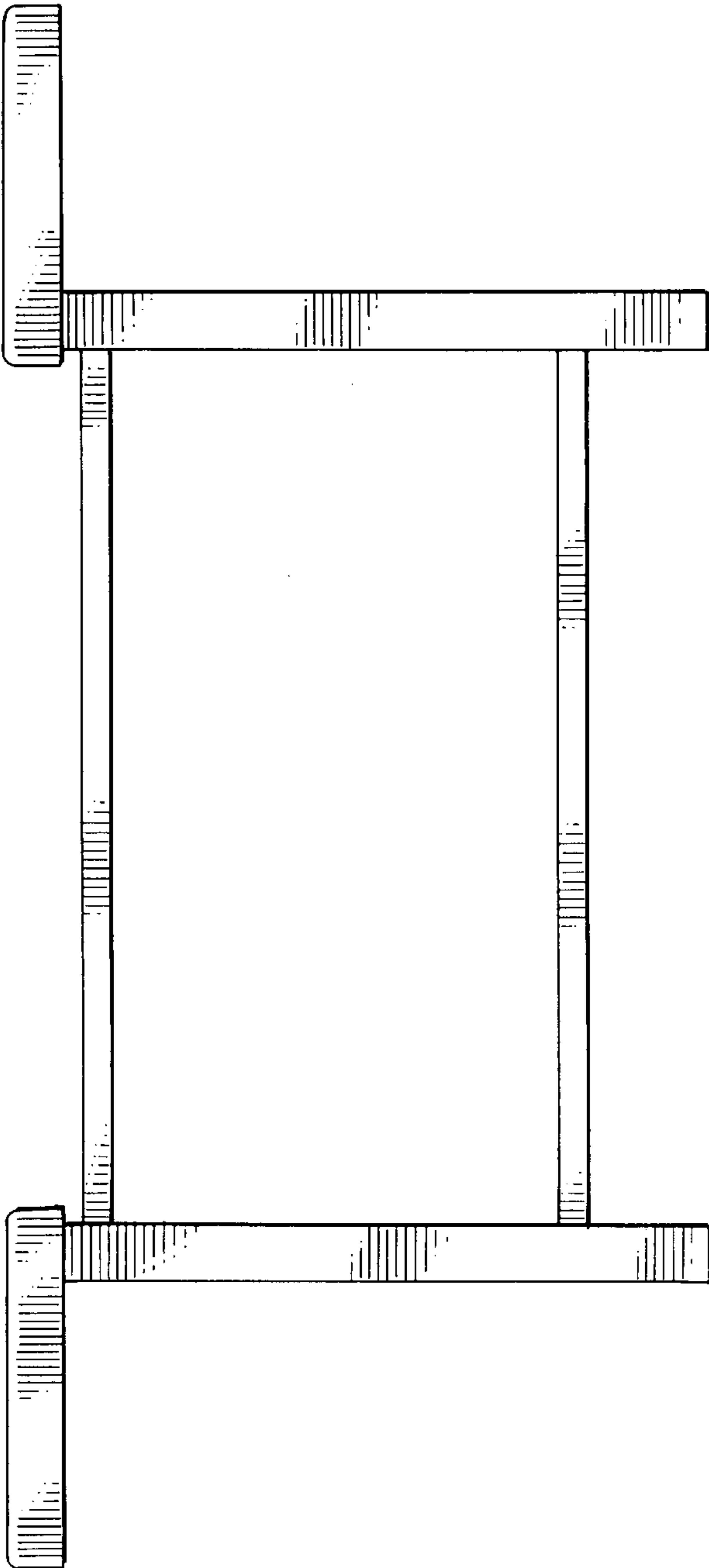


FIG. 6

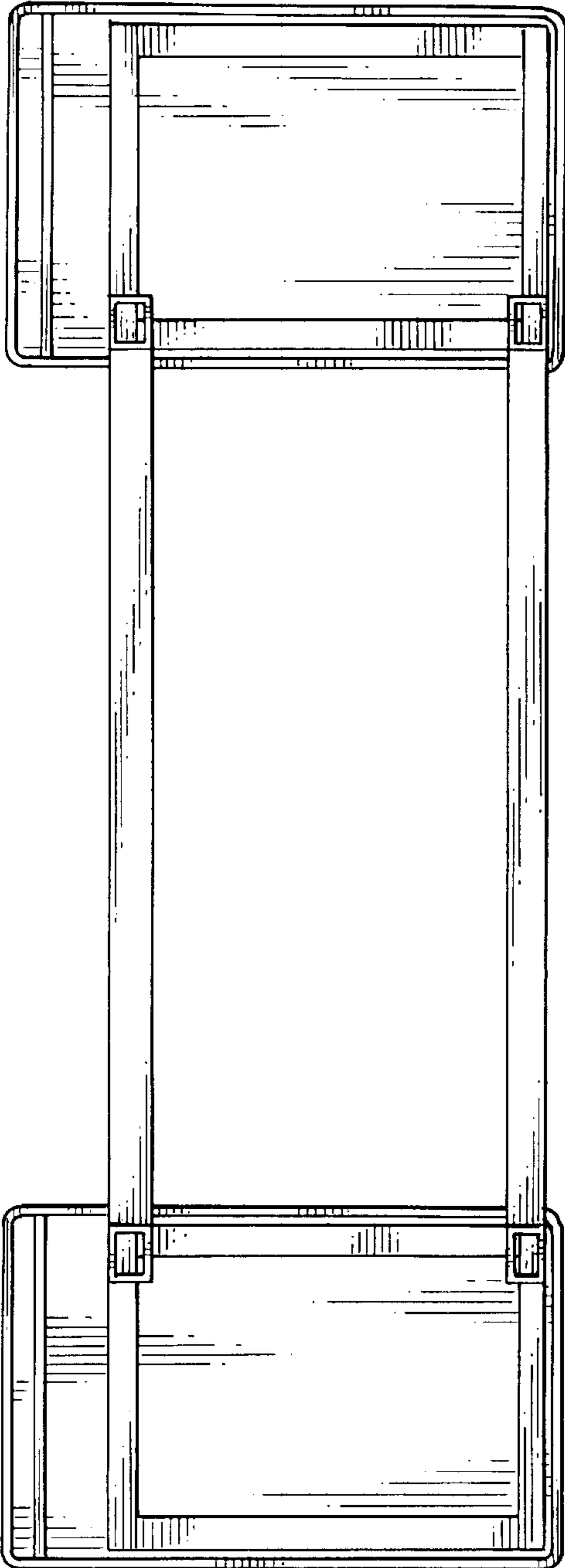


FIG. 7

