



US00D395376S

United States Patent [19]

Montgelard

[11] **Patent Number: Des. 395,376**

[45] **Date of Patent: **Jun. 23, 1998**

[54] **HANDLE FOR A COOKING UTENSIL**

[75] Inventor: **Michel Montgelard**, Cran Gevrier, France

[73] Assignee: **Tefal S.A.**, Rumilly, France

[**] Term: **14 Years**

[21] Appl. No.: **75,322**

[22] Filed: **Aug. 28, 1997**

[30] Foreign Application Priority Data

Feb. 28, 1997 [FR] France 971258

[51] **LOC (6) Cl.** **07-02**

[52] **U.S. Cl.** **D7/393**

[58] **Field of Search** D7/323, 354-361, D7/393, 394; 16/110 R, 110 A, 114 A, 116 R, 118; 220/752, 912

[56] References Cited

U.S. PATENT DOCUMENTS

D. 344,430 2/1994 Raoult D7/394

D. 348,178 6/1994 Munari D7/394
D. 377,581 1/1997 Rohrer D7/394 X

FOREIGN PATENT DOCUMENTS

14842 7/1911 Denmark 16/114 A

Primary Examiner—Caron D. Veynar
Attorney, Agent, or Firm—Young & Thompson

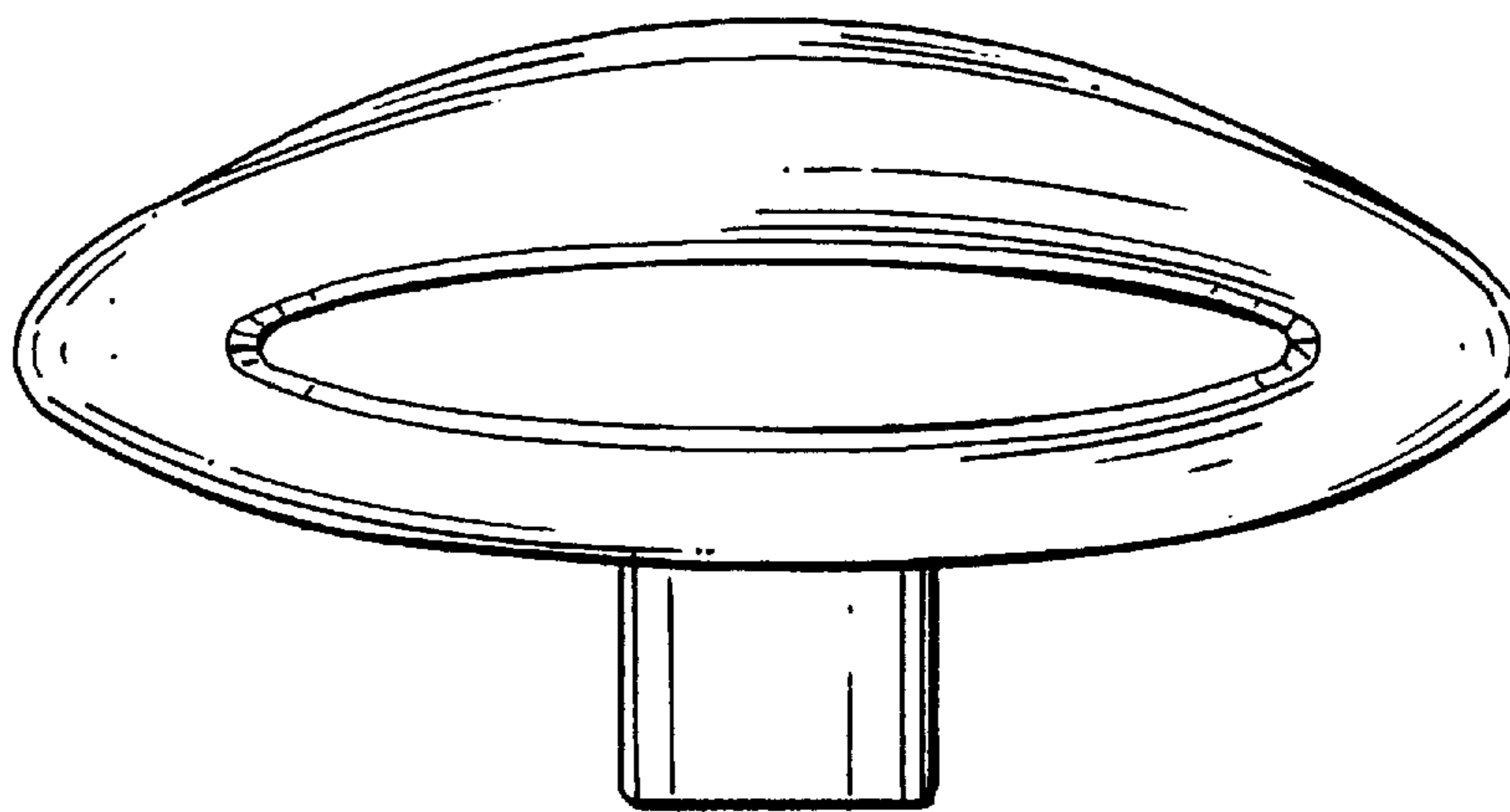
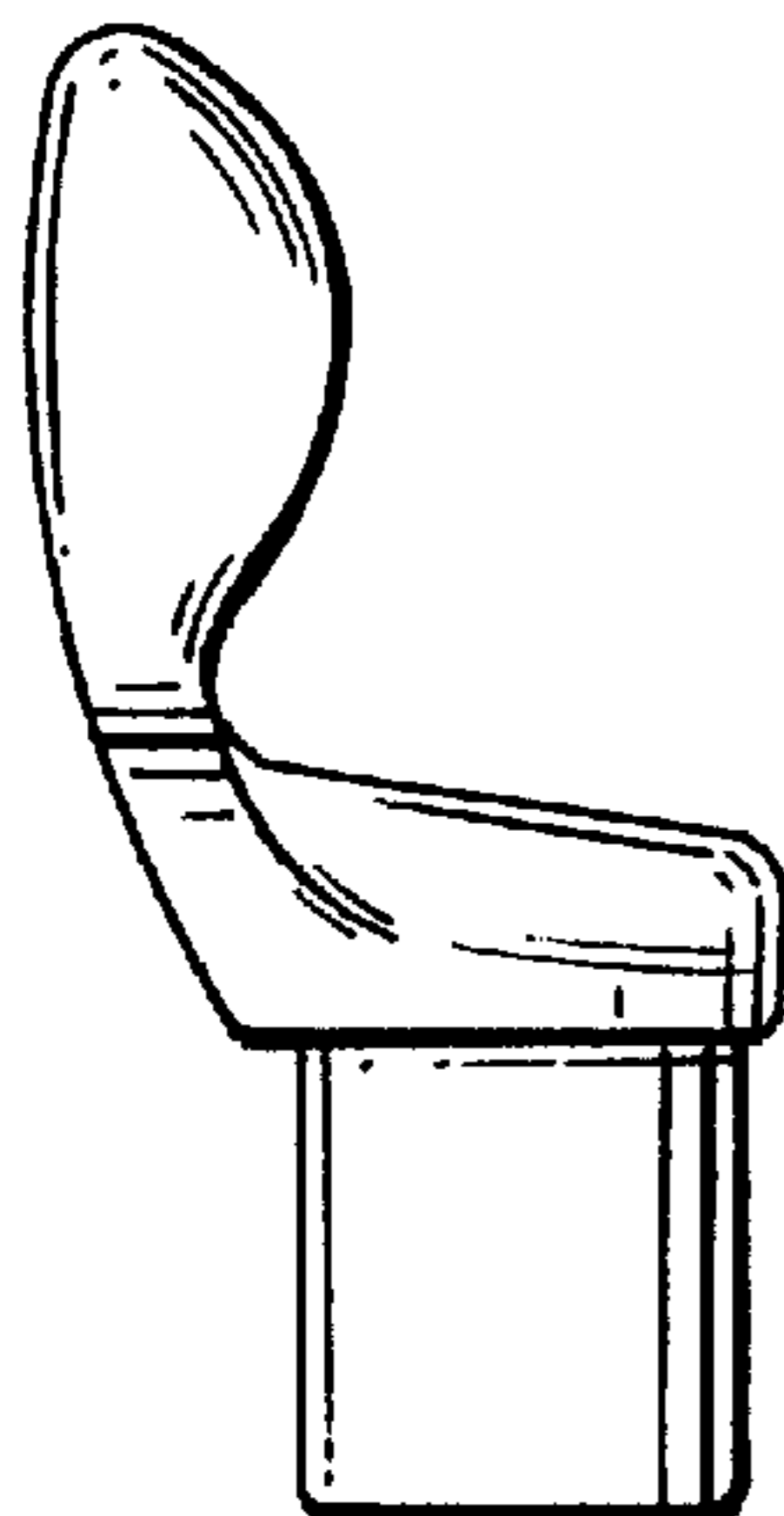
[57] CLAIM

The ornamental design for a handle for a cooking utensil, as shown and described.

DESCRIPTION

FIG. 1 is a top plan view of a handle for a cooking utensil, showing my new design;
FIG. 2 is a bottom plan view thereof;
FIG. 3 is a front elevational view thereof, the side opposite that shown in FIG. 3 being the mirror image thereof;
FIG. 4 is a side elevational view thereof from the right of FIG. 3; and,
FIG. 5 is a side elevational view thereof from the left of FIG. 3.

1 Claim, 2 Drawing Sheets



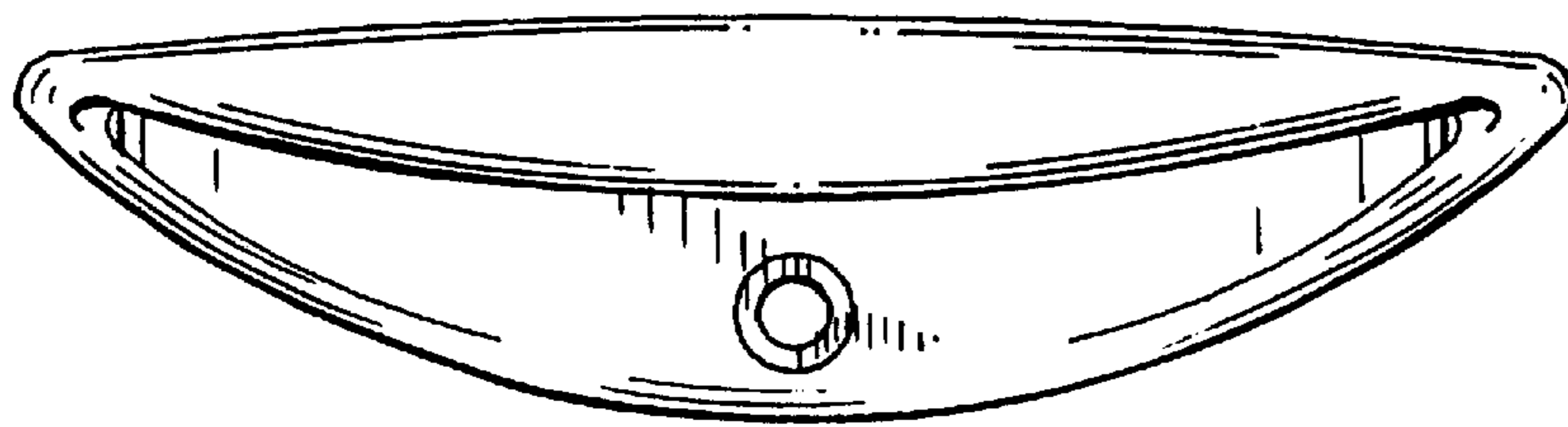


FIG. 1

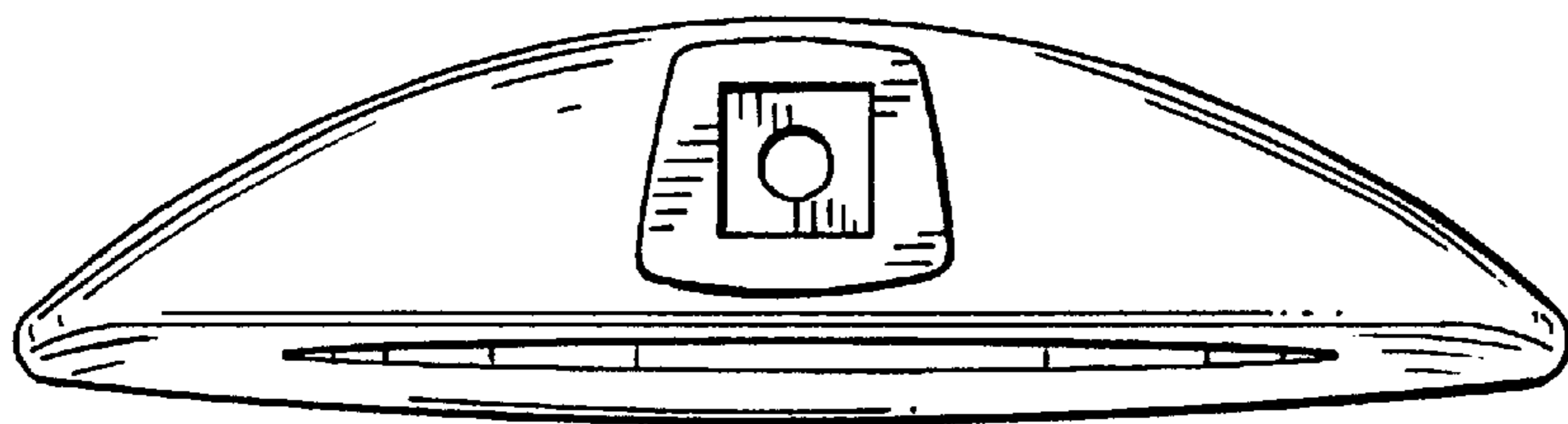


FIG. 2

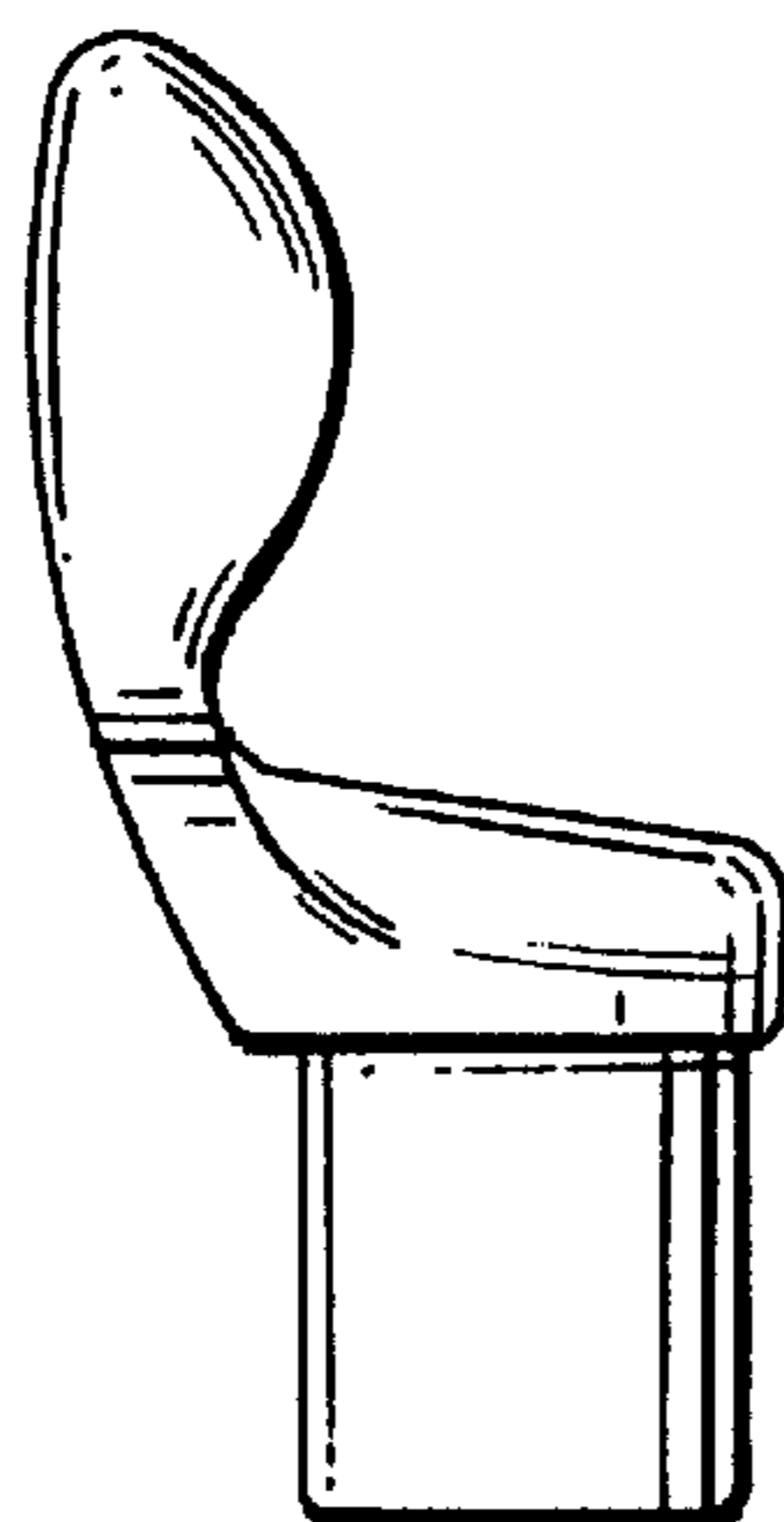


FIG. 3

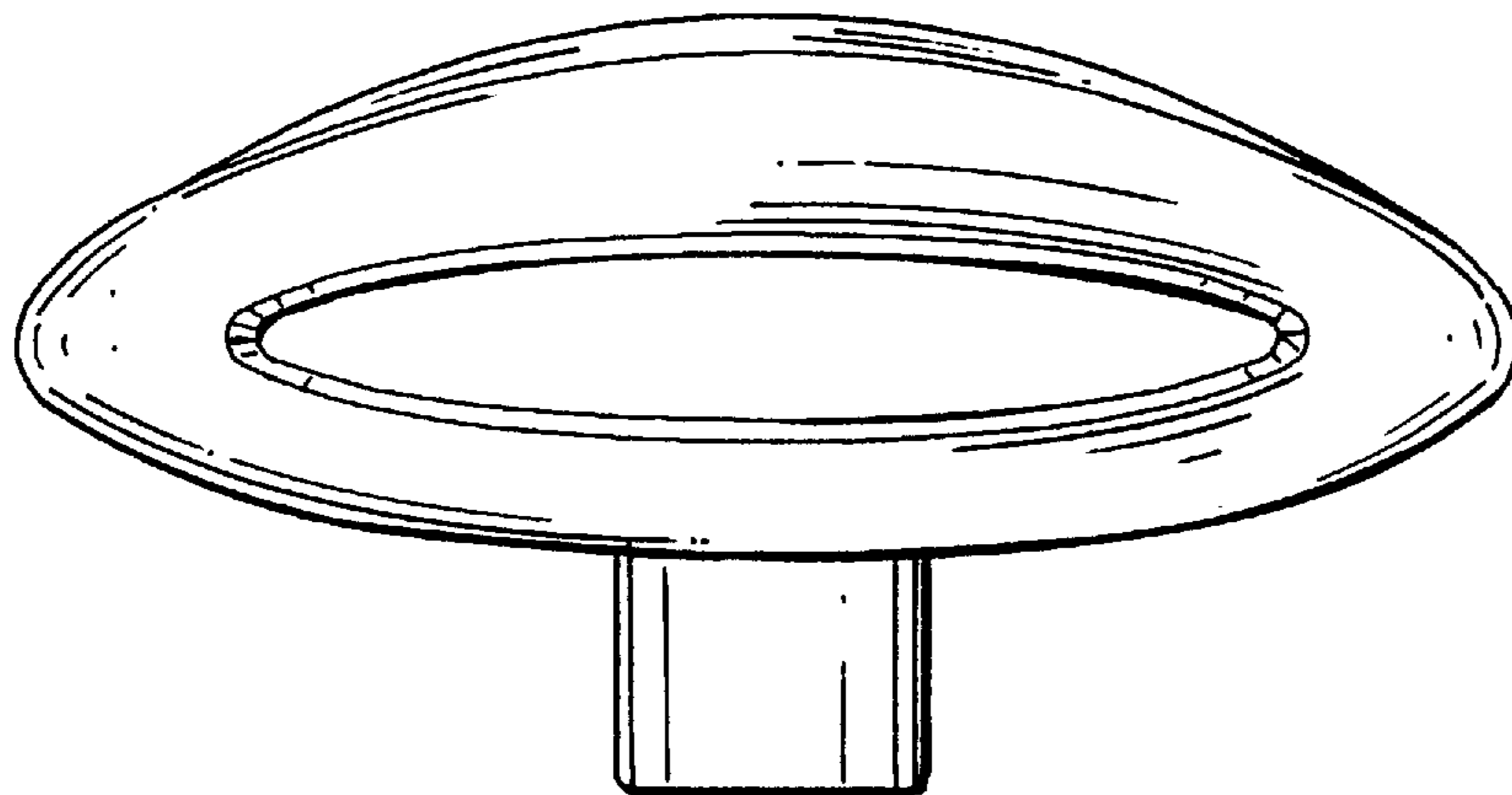


FIG. 4

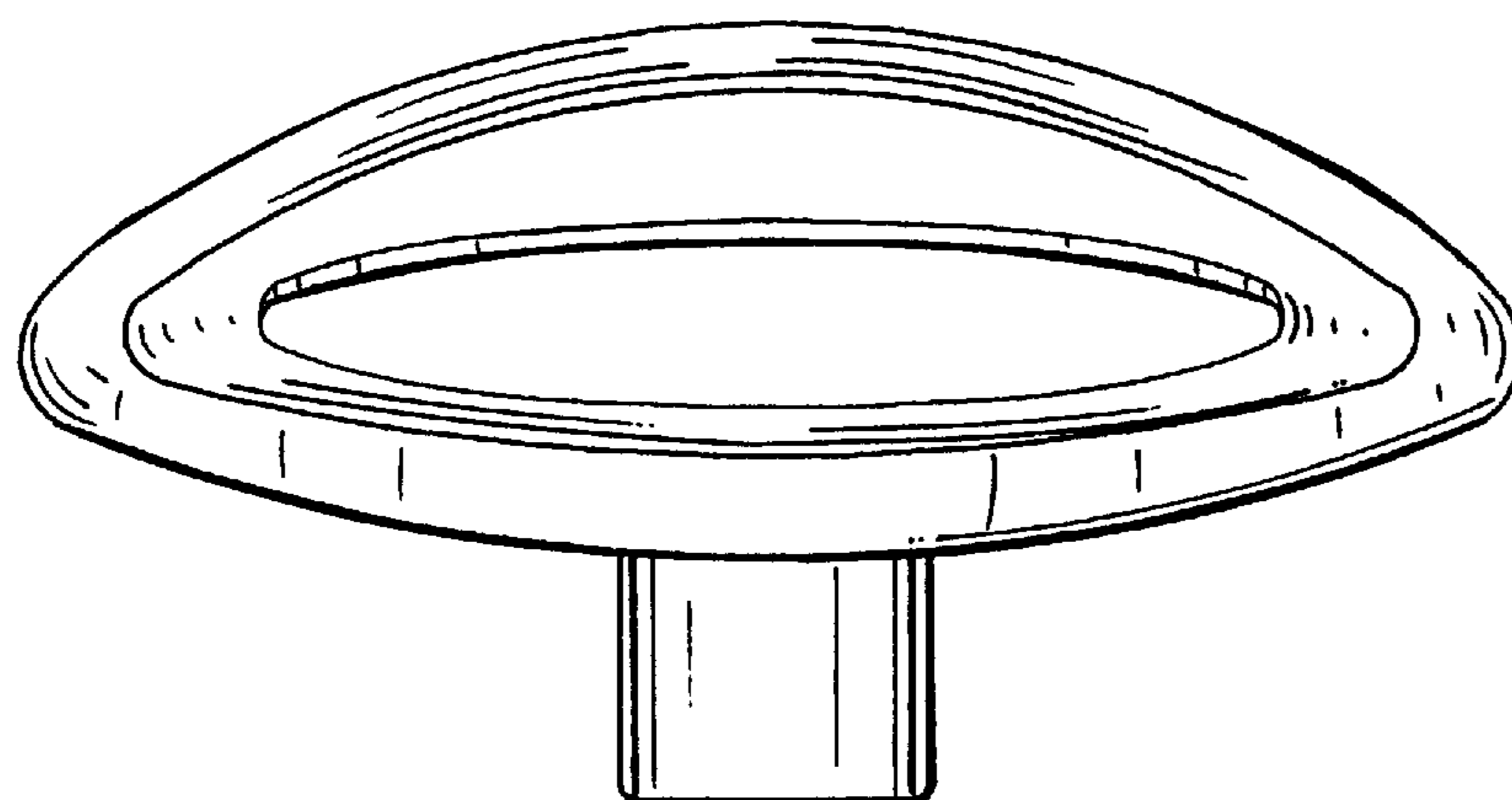


FIG. 5