



US00D395375S

United States Patent [19]

Hippen et al.

[11] Patent Number: **Des. 395,375**

[45] Date of Patent: ****Jun. 23, 1998**

[54] **FOOD PROCESSOR HOUSING**

[75] Inventors: **Jan Hippen**, Portland, Oreg.; **Julius Lucaci**, Wheeling, Ill.; **Angelika I. Schubert-Belle**, Portland, Oreg.

[73] Assignee: **Black & Decker Inc.**, Newark, Del.

[**] Term: **14 Years**

[21] Appl. No.: **62,859**

[22] Filed: **Nov. 29, 1996**

[51] **LOC (6) Cl.** **31-00**

[52] **U.S. Cl.** **D7/386; D7/384**

[58] **Field of Search** D7/376, 377, 378, D7/381, 383, 384, 386; 241/37.5, 101.1, 199.12, 282.1, 282.2, 92, 93; 366/129, 130, 197, 199, 204, 205, 314

[56] **References Cited**

U.S. PATENT DOCUMENTS

- D. 216,237 12/1969 Levin D7/378 X
- D. 251,231 3/1979 Hashimoto D7/384
- D. 254,161 2/1980 Verdun D7/384
- D. 256,087 7/1980 Minami D7/384
- D. 277,634 2/1985 Doggett D7/378 X
- D. 287,327 12/1986 Cavalli D7/384

- D. 293,071 12/1987 Kim D7/384
- D. 324,322 3/1992 Barrault D7/384
- D. 327,806 7/1992 Fleche D7/384
- D. 347,357 5/1994 Gildersleeve D7/384

Primary Examiner—Caron D. Veynar
Attorney, Agent, or Firm—Barry E. Deutsch

[57] **CLAIM**

The ornamental design for food processor housing, as shown and described.

DESCRIPTION

FIG. 1 is a perspective view of our new design of a food processor housing;

FIG. 2 is a front elevational view of our new design of the food processor housing;

FIG. 3 is a rear elevational view of our new design of the food processor housing;

FIG. 4 is a right side elevational view of our new design of the food processor housing;

FIG. 5 is a left side elevational view of our new design of the food processor housing;

FIG. 6 is a top plan view of our new design of the food processor housing; and,

FIG. 7 is a bottom plan view of our new design of the food processor housing.

1 Claim, 3 Drawing Sheets

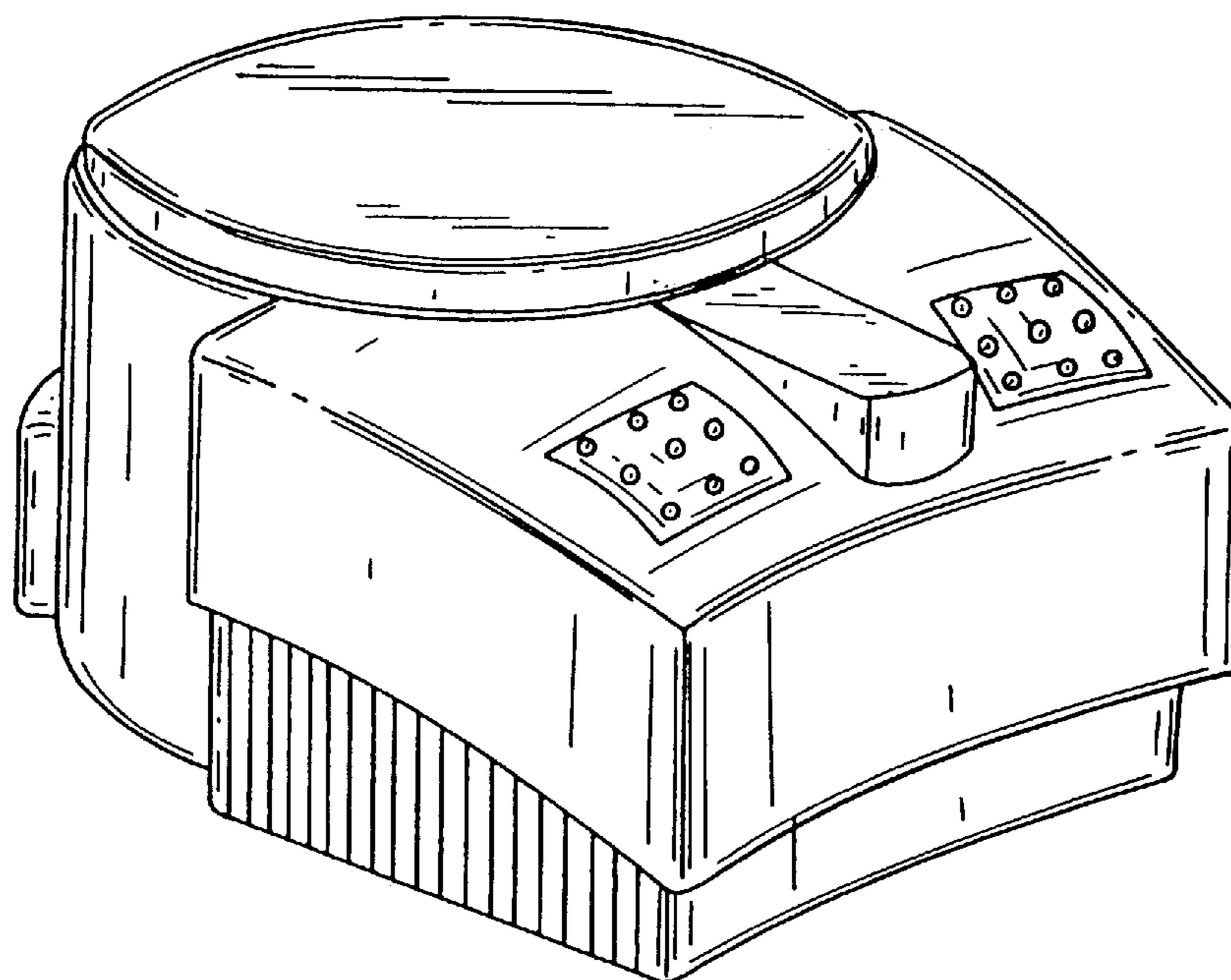


FIG. 1

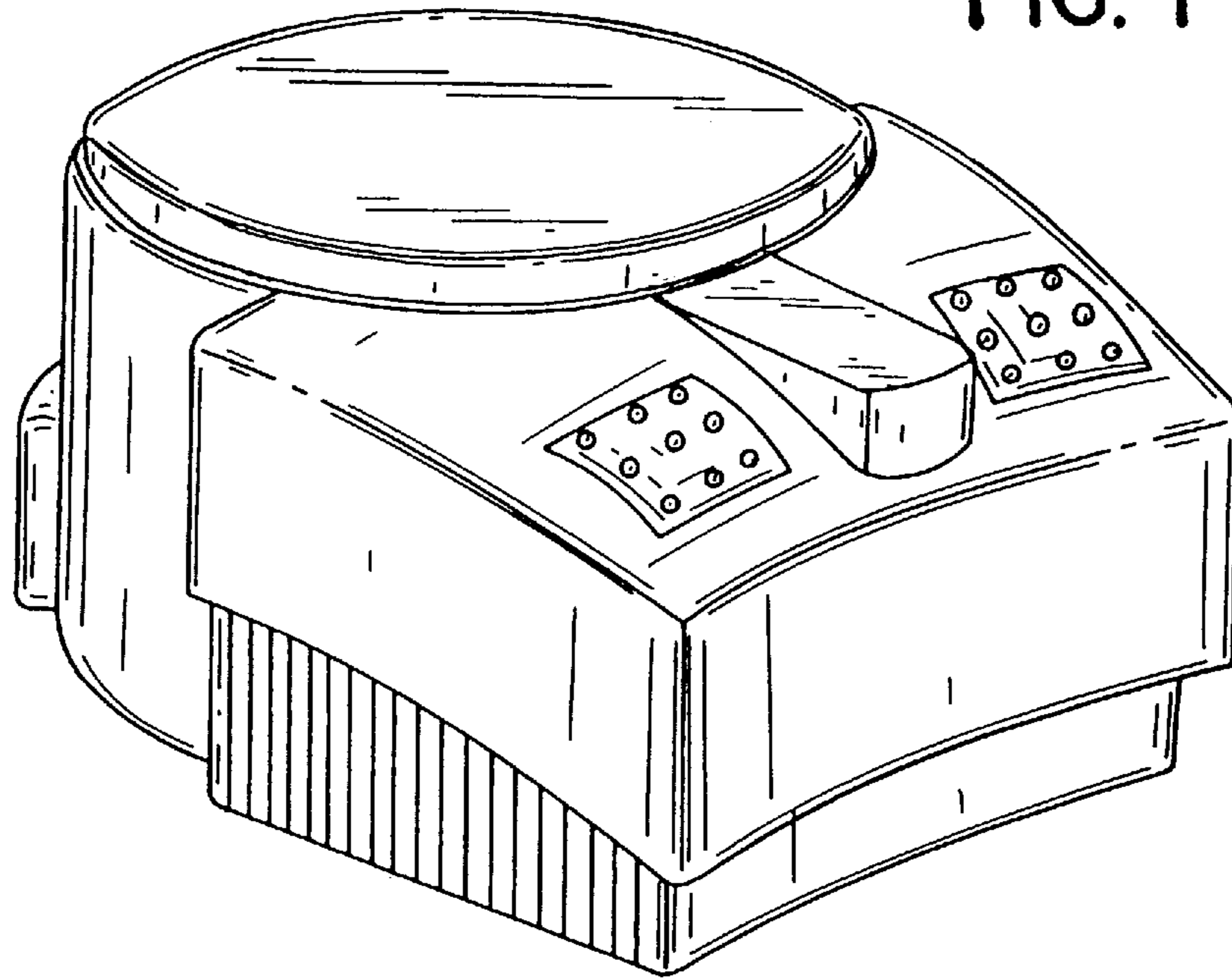


FIG. 2

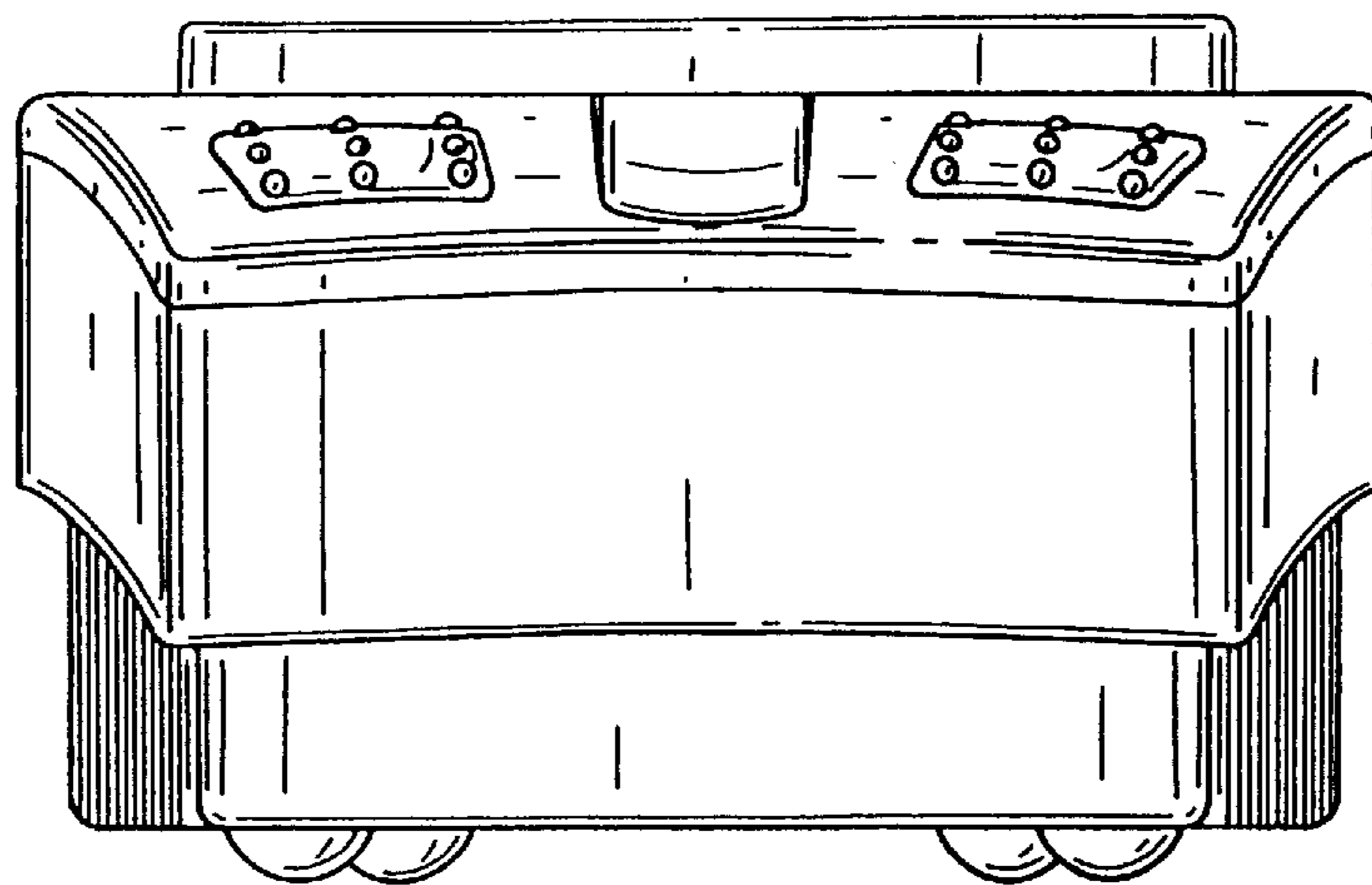


FIG. 3

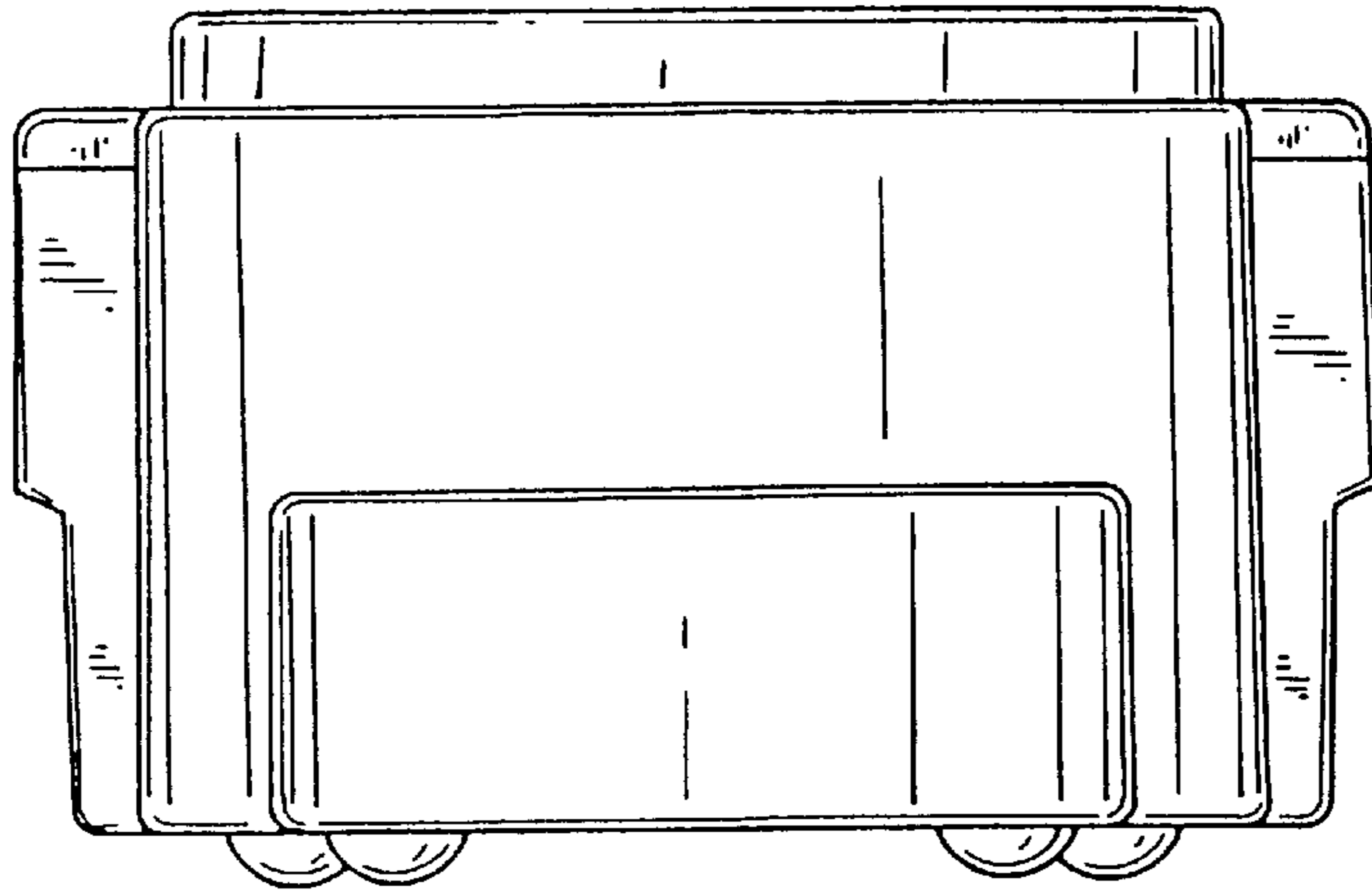


FIG. 4

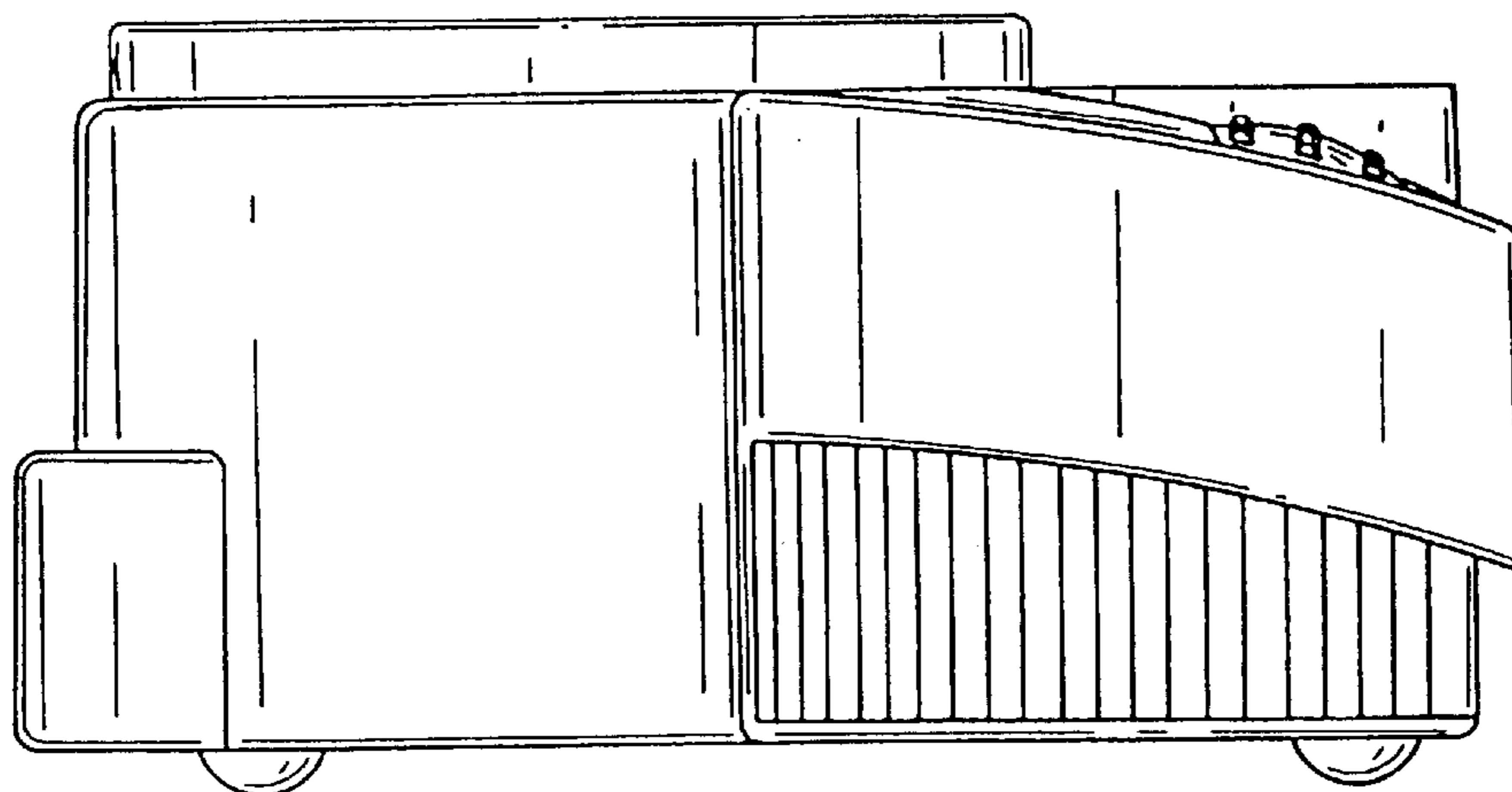


FIG. 5

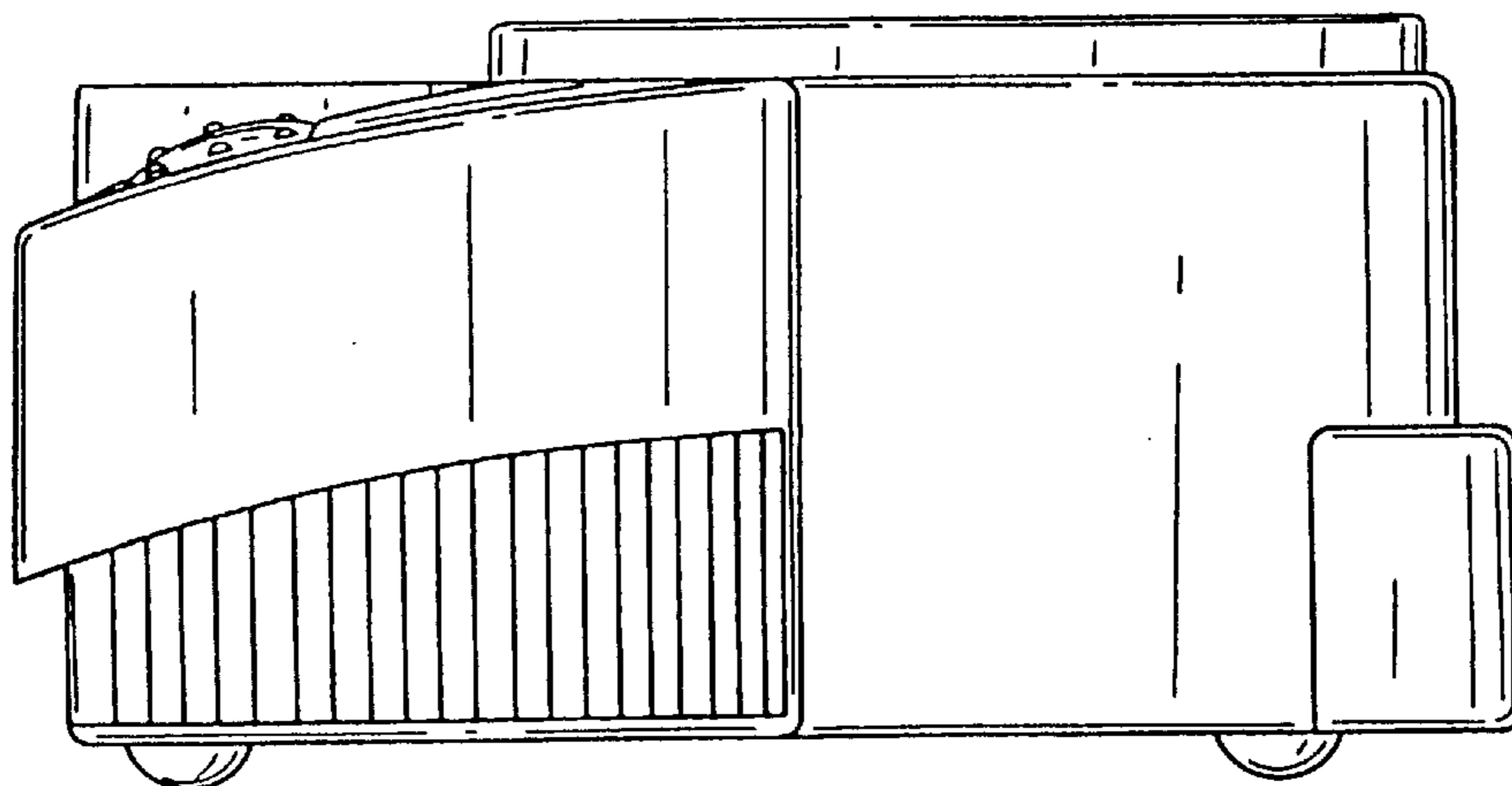


FIG. 7

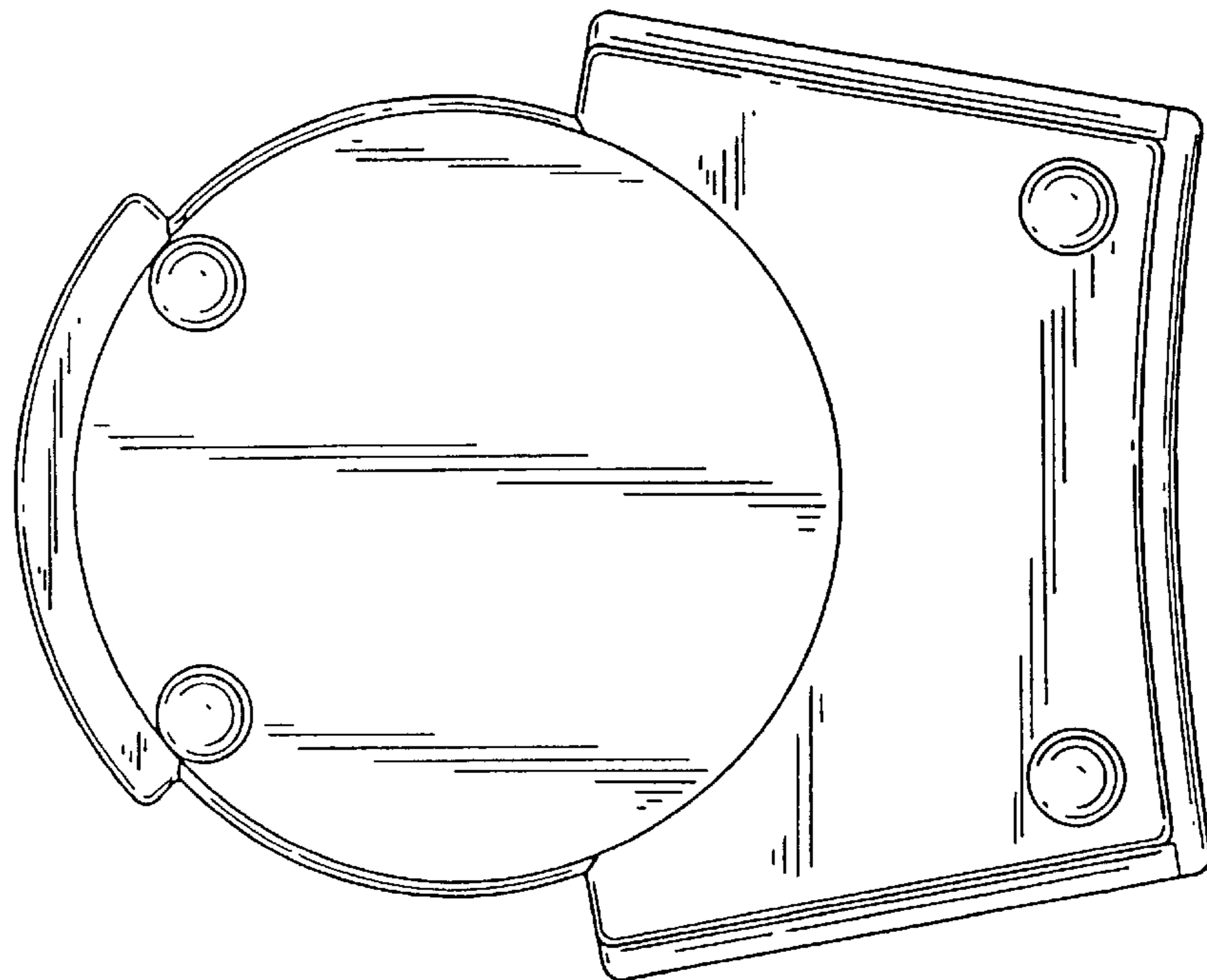


FIG. 6

