



US00D395374S

United States Patent [19]
Byrne

[11] **Patent Number: Des. 395,374**

[45] **Date of Patent: **Jun. 23, 1998**

[54] **COOKING PAN**

[75] Inventor: **Robert M. Byrne**, Lima, Ohio

[73] Assignee: **American Trim, L.L.C.**, Lima, Ohio

[**] Term: **14 Years**

[21] Appl. No.: **71,262**

[22] Filed: **May 21, 1997**

[51] **LOC (6) Cl.** **07-02**

[52] **U.S. Cl.** **D7/359; D7/360**

[58] **Field of Search** D7/323, 354, 357,
D7/359, 360, 409; 99/324, 375, 376, 400,
425, DIG. 15; 422/104; 206/561

[56] **References Cited**

U.S. PATENT DOCUMENTS

D. 218,470	8/1970	De Palmo	D7/357
4,378,729	4/1983	Pierick	99/400
4,384,513	5/1983	Pierick	99/400
4,694,816	9/1987	Fabbro	126/41 R

4,729,297	3/1988	Iranzadi	99/401
4,976,252	12/1990	Cianciola	126/27
5,415,844	5/1995	Moore	206/561 X
5,473,980	12/1995	Carpenter	99/446

Primary Examiner—Caron D. Veynar
Attorney, Agent, or Firm—Rankin, Hill, Porter & Clark LLP

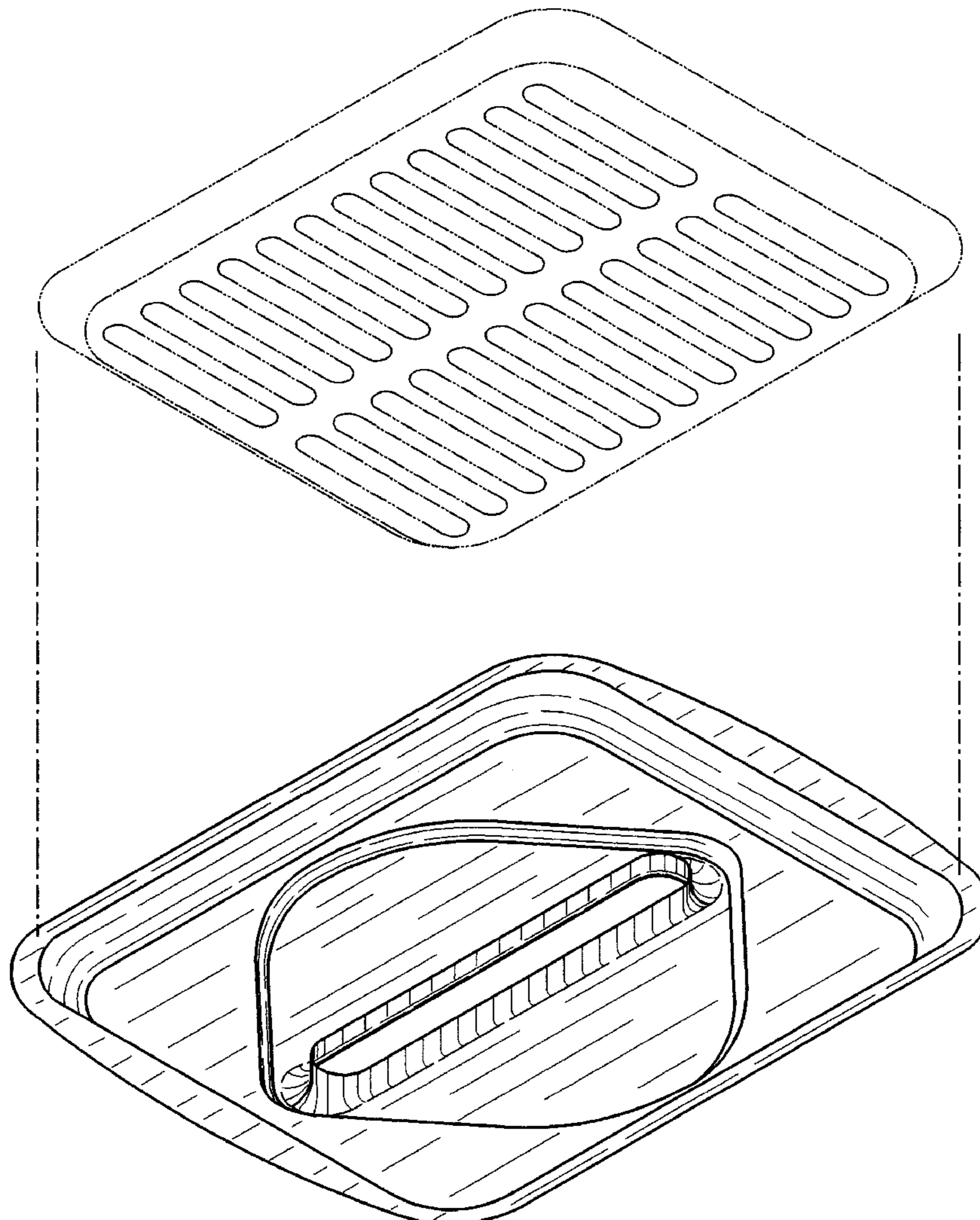
[57] **CLAIM**

The ornamental design for a cooking pan, as shown and described.

DESCRIPTION

FIG. 1 is a perspective view of a cooking pan showing my new design, the broken line showings are for illustrative purposes only and form no part of the claimed design; FIG. 2 is a top view of the cooking pan of FIG. 1; FIG. 3 is a right side elevational and view of the cooking pan of FIG. 1, the left side being a mirror image thereof; FIG. 4 is a bottom view of the cooking pan of FIG. 1; and, FIG. 5 is a front side elevational view of the cooking pan of FIG. 1, the back side being a mirror image thereof.

1 Claim, 3 Drawing Sheets



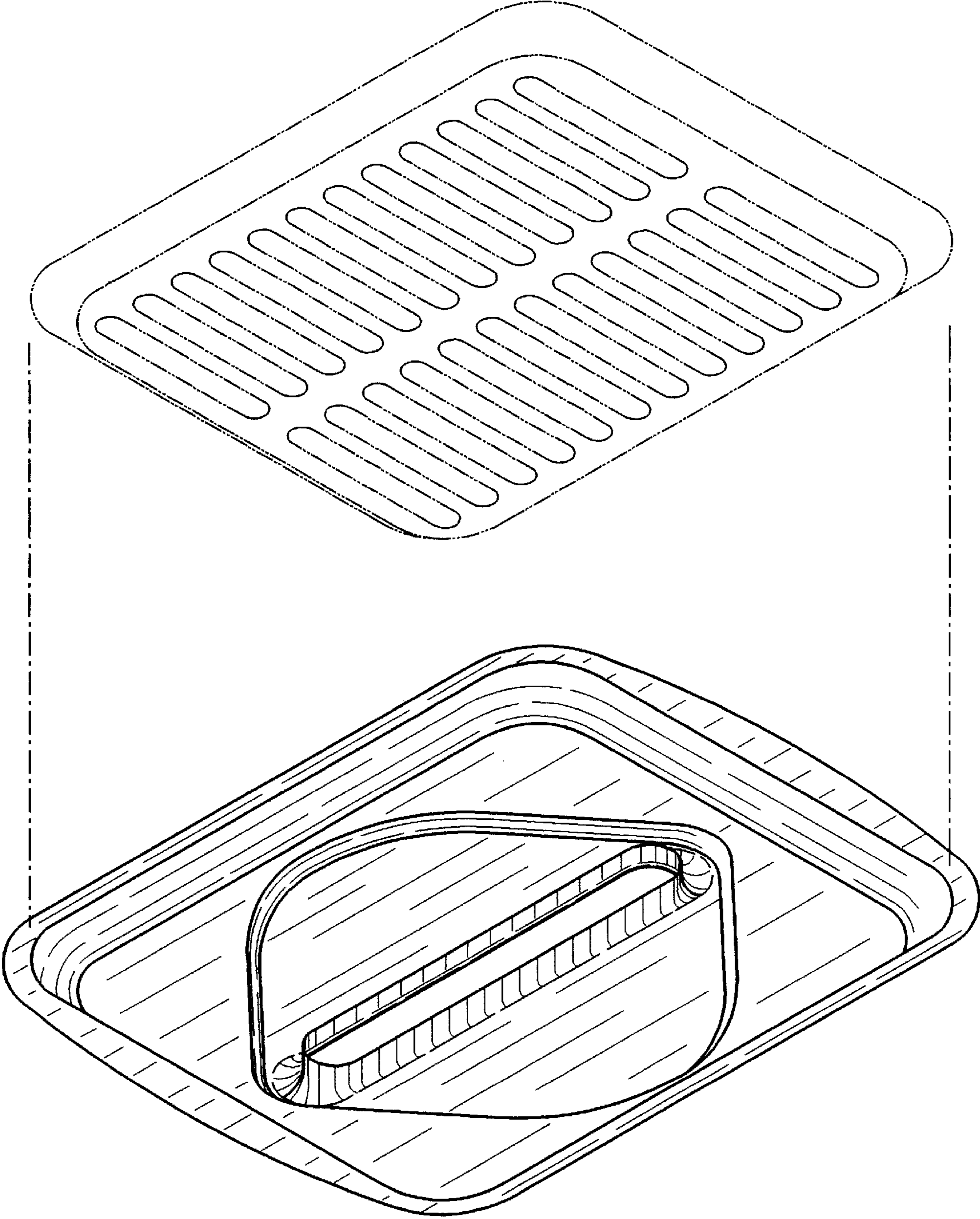


Fig. 1

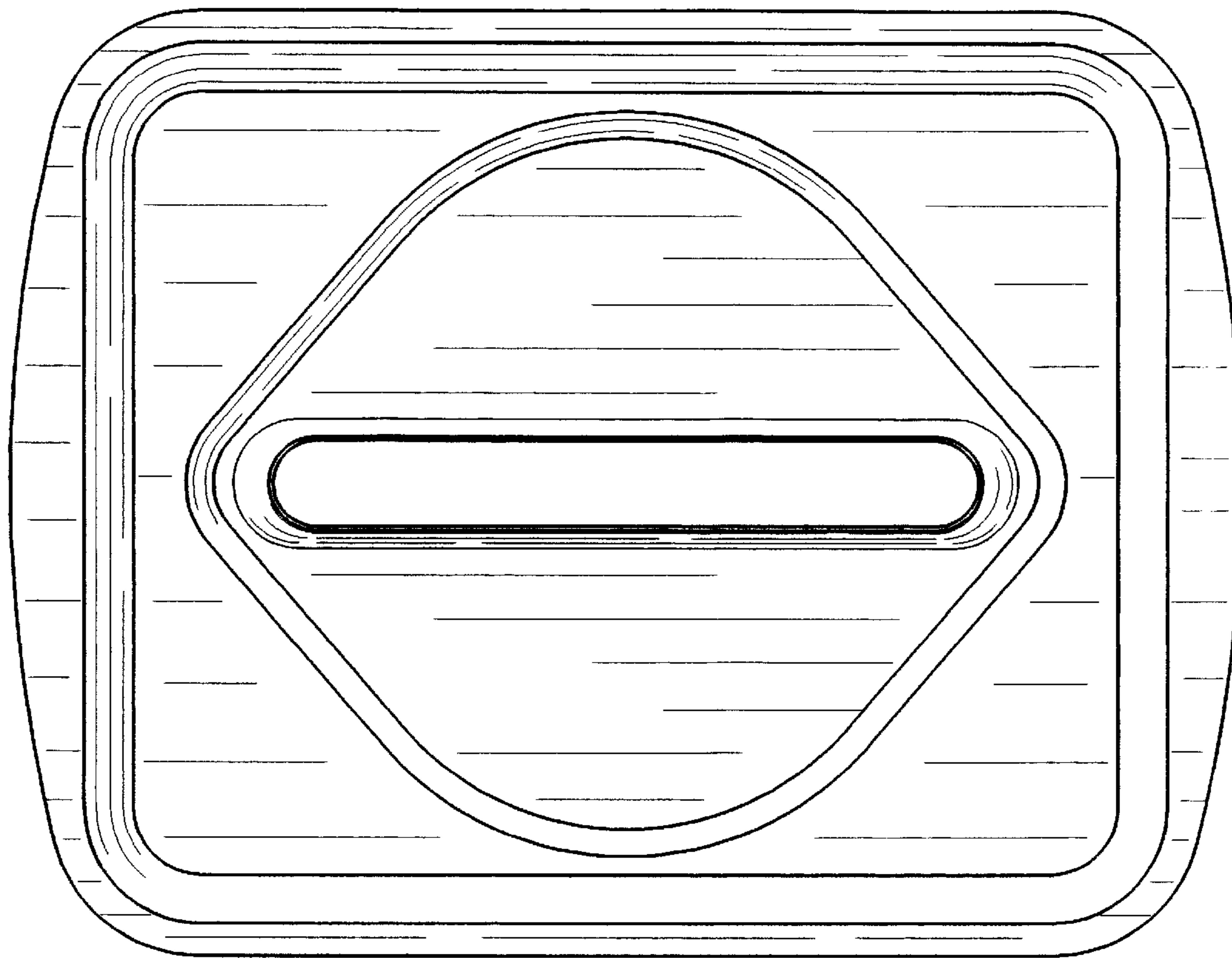


Fig. 2

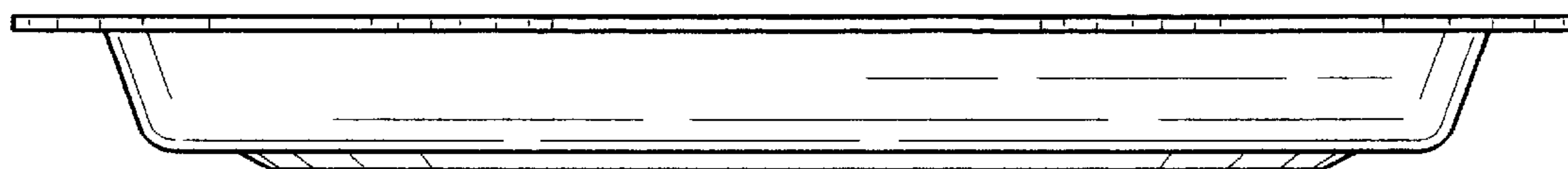


Fig. 3

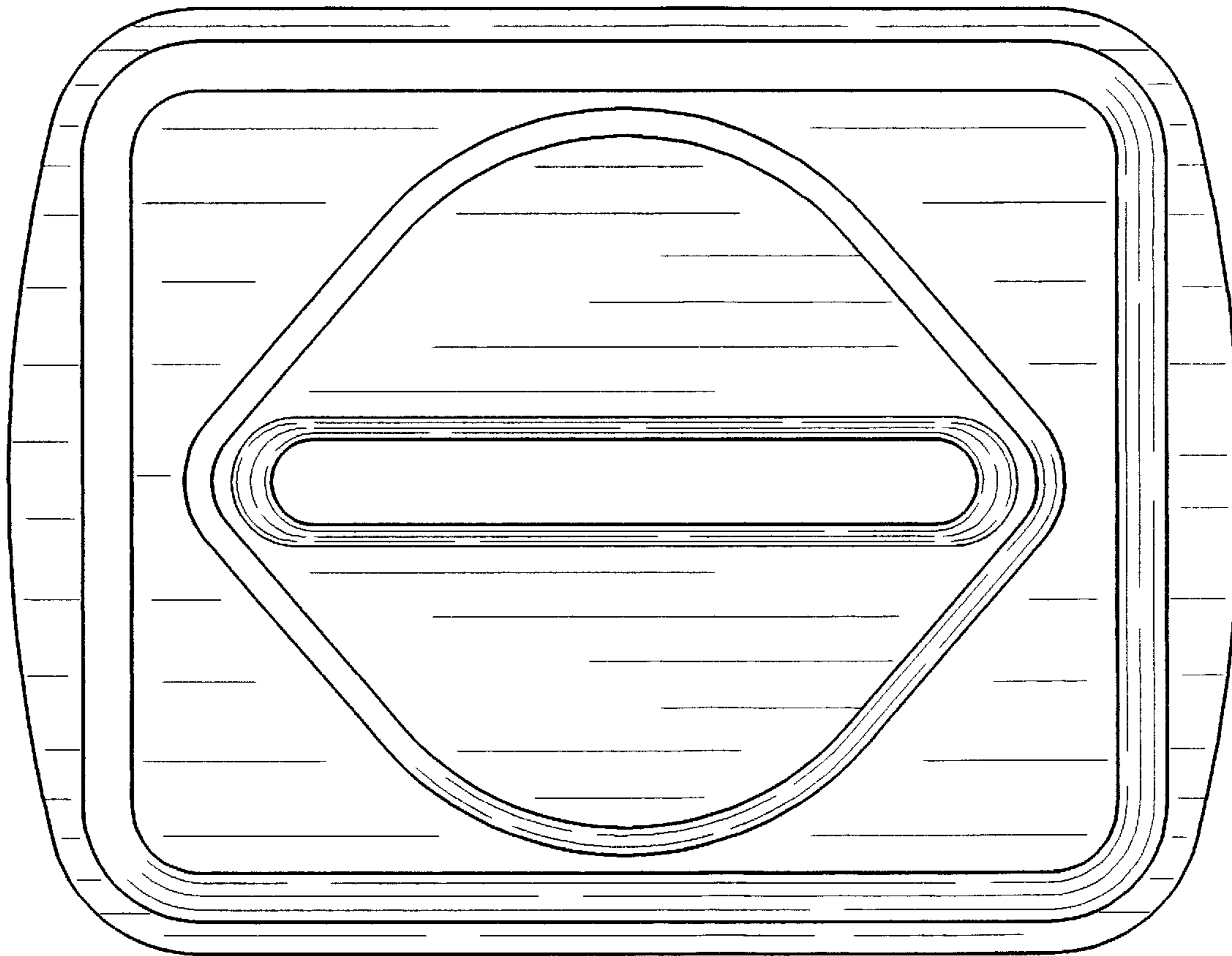


Fig. 4

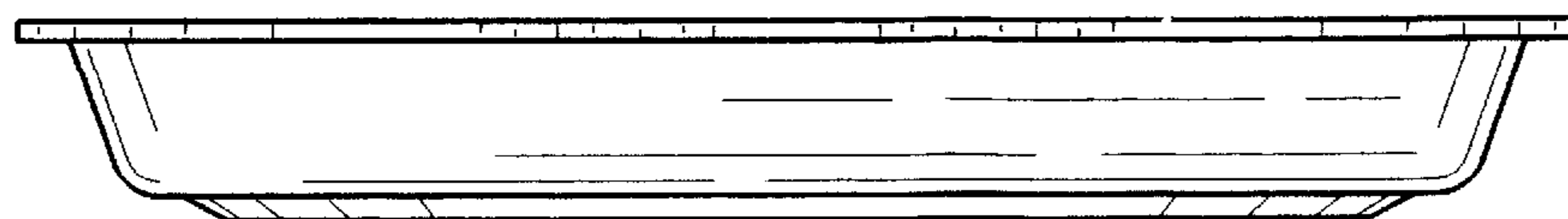


Fig. 5