



US00D395369S

United States Patent [19]
Whittington

[11] **Patent Number: Des. 395,369**

[45] **Date of Patent: **Jun. 23, 1998**

[54] **SHELF**

[75] Inventor: **Paul Whittington**, Thornhill, Canada

[73] Assignee: **Gorrie Advertising Management Limited**, Mississauga, Canada

[**] Term: **14 Years**

[21] Appl. No.: **58,672**

[22] Filed: **Aug. 20, 1996**

[30] **Foreign Application Priority Data**

Feb. 20, 1996 [CA] Canada 1996-0383

[51] **LOC (6) Cl.** **06-04**

[52] **U.S. Cl.** **D6/511; D6/467**

[58] **Field of Search** D6/509-511, 571,
D6/574, 407, 627, 466, 467; D9/341; 211/134,
153, 40, 41; 312/9.1, 9.9, 9.48, 9.52, 348.3;
206/561-565, 557, 558; 108/59, 60

[56] **References Cited**

U.S. PATENT DOCUMENTS

D. 332,187 1/1993 Stravitz D6/511 X

D. 375,857 11/1996 De Blois D6/511
D. 377,425 1/1997 Stravitz D6/468 X
4,478,337 10/1984 Flum 206/564 X

Primary Examiner—James Gandy
Assistant Examiner—Linda Brooks
Attorney, Agent, or Firm—Bereskin & Parr

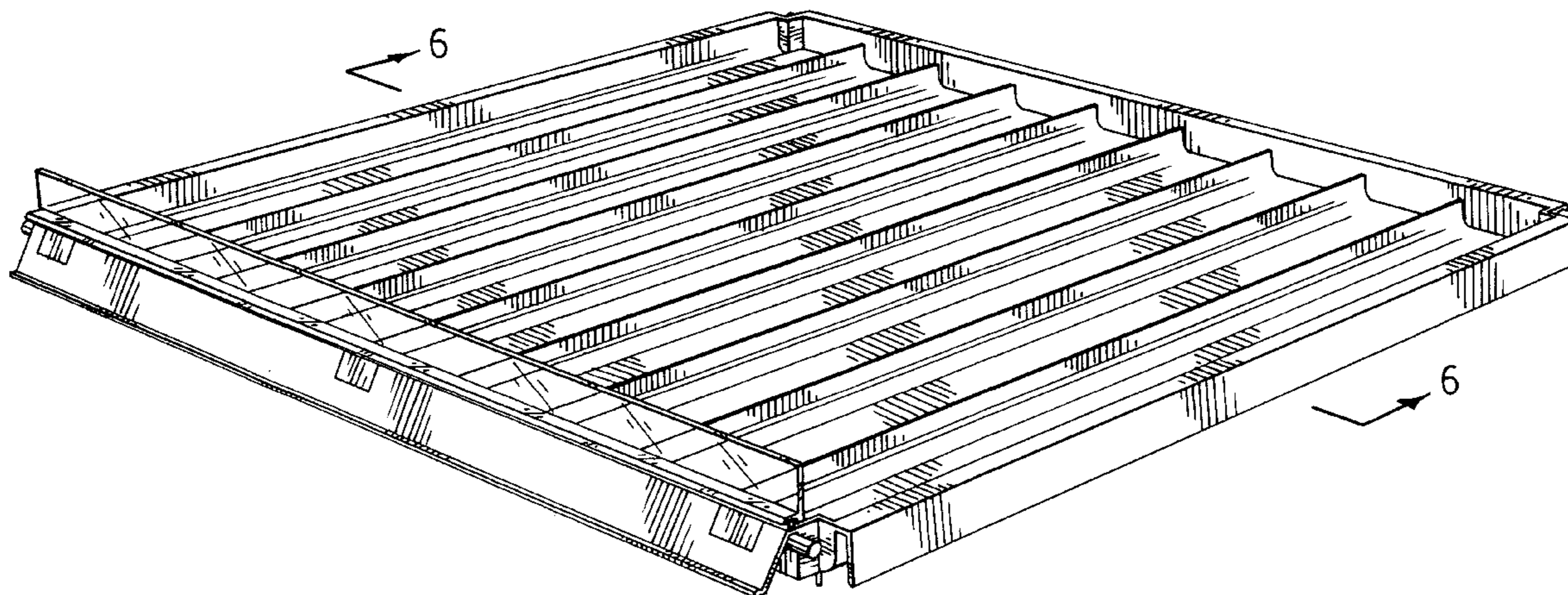
[57] **CLAIM**

The ornamental design for a shelf, as shown and described.

DESCRIPTION

FIG. 1 is a top perspective view of the shelf in accordance with the present invention;
FIG. 2 is a bottom perspective view thereof;
FIG. 3 is a top view thereof;
FIG. 4 is a right side view thereof, it being understood that the left side is a mirror image;
FIG. 5 is a front view thereof;
FIG. 6 is a sectional view of the shelf taken along lines 6—6 of FIG. 1; and,
FIG. 7 is a bottom plan view of FIG. 3.
The exterior surface of the rear wall is understood to be flat and unornamented.

1 Claim, 5 Drawing Sheets



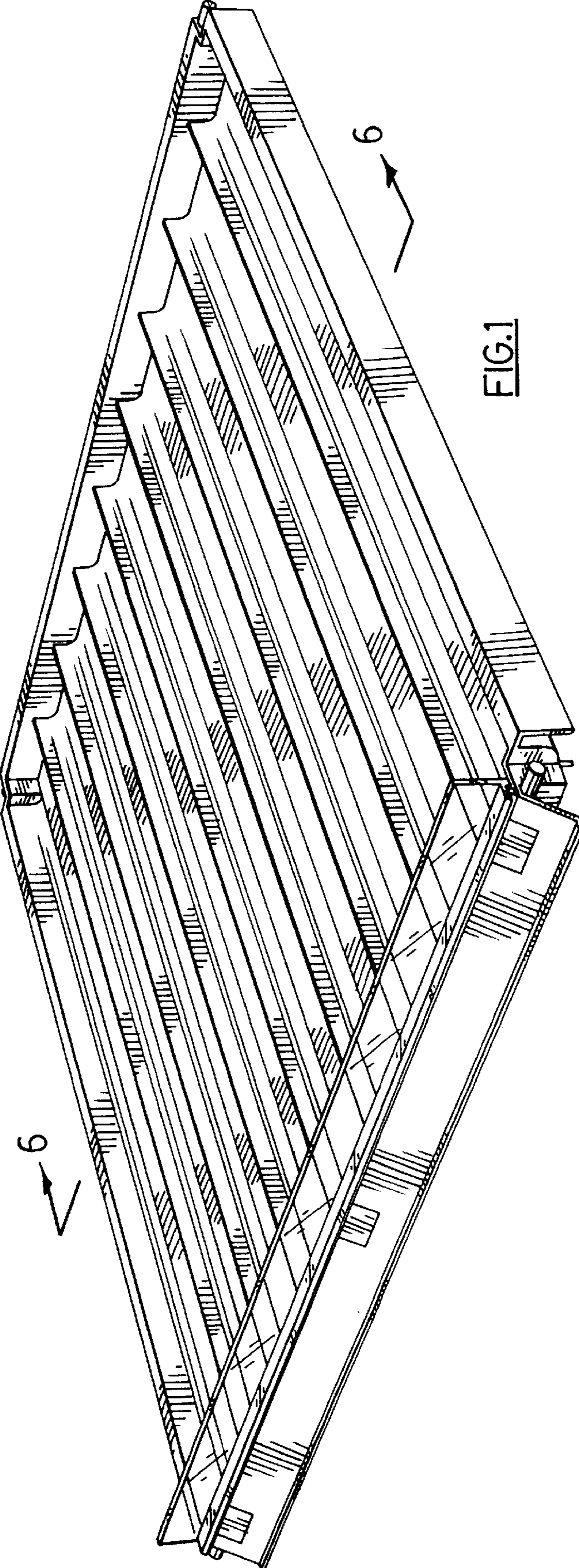


FIG. 1

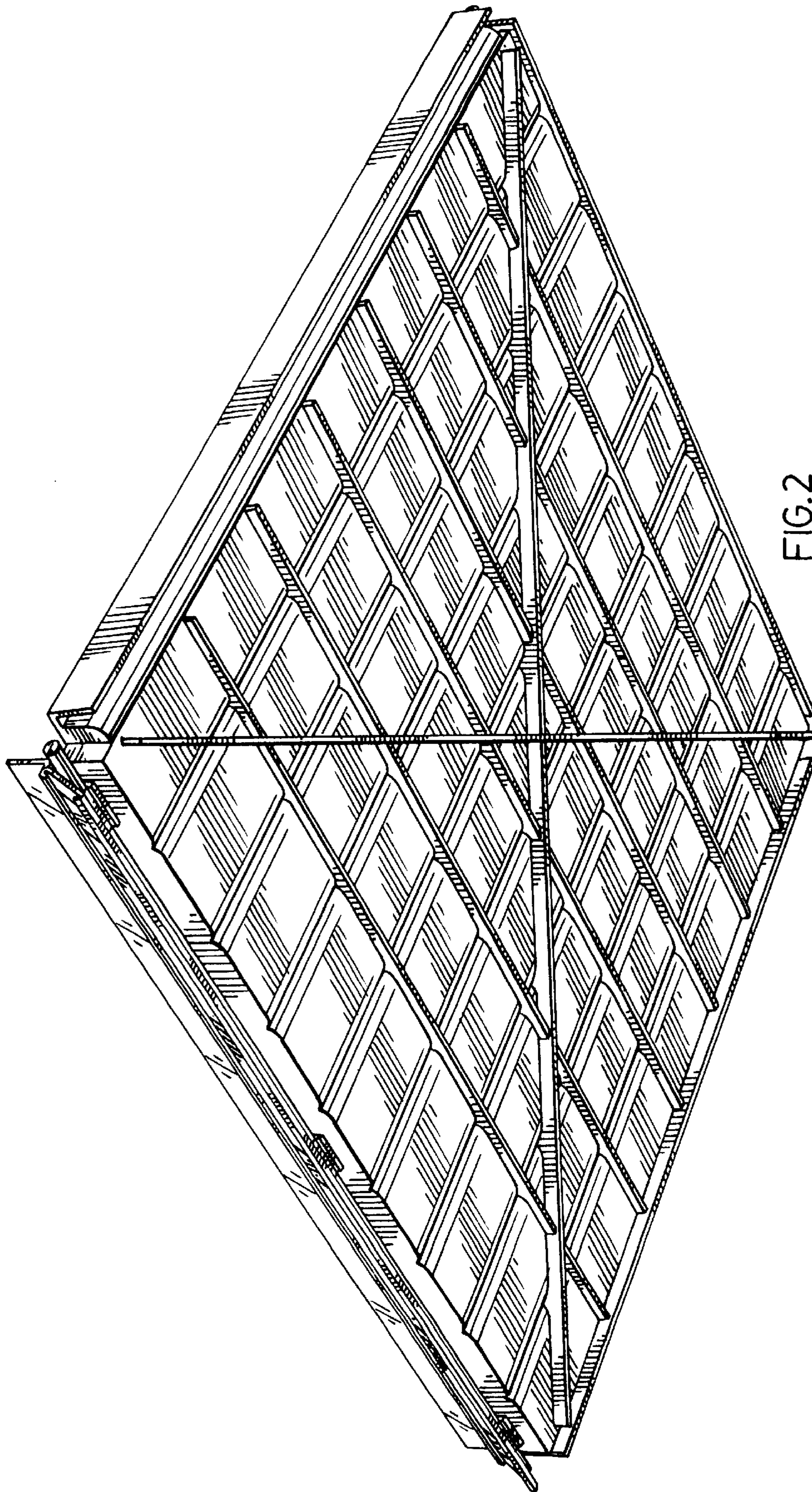


FIG. 2

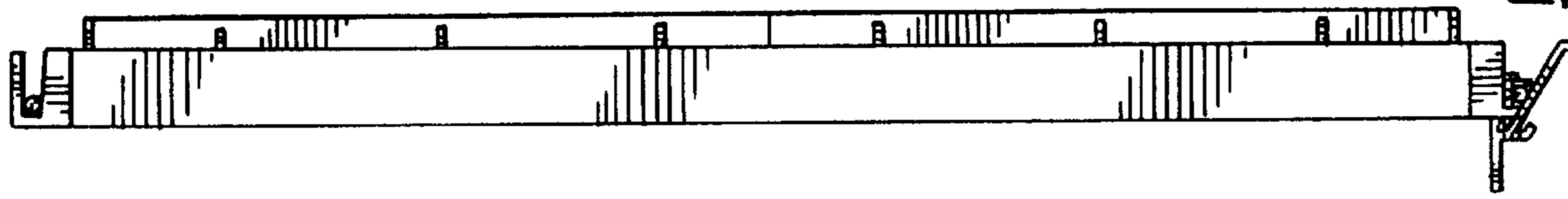


FIG. 4

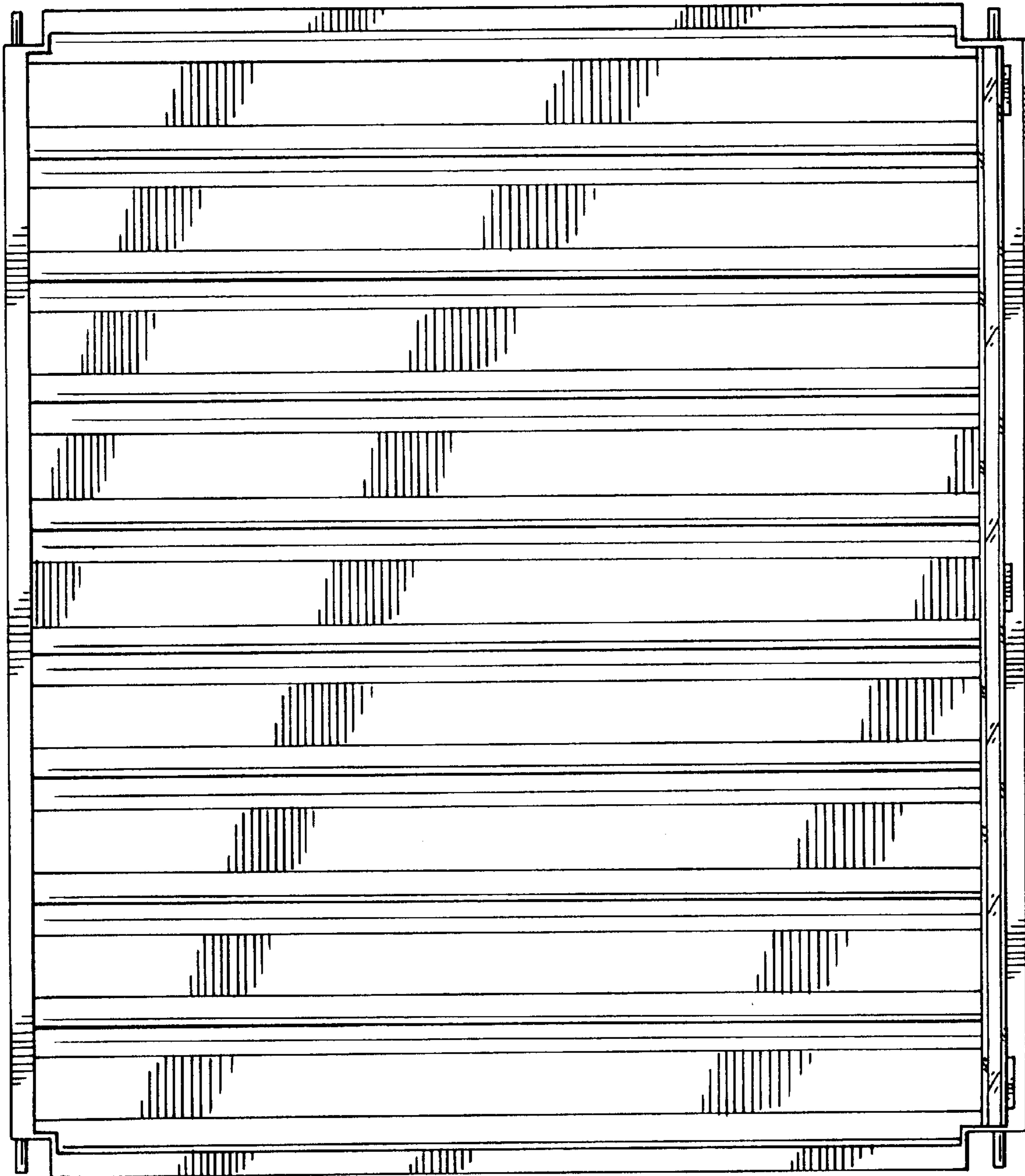


FIG. 3

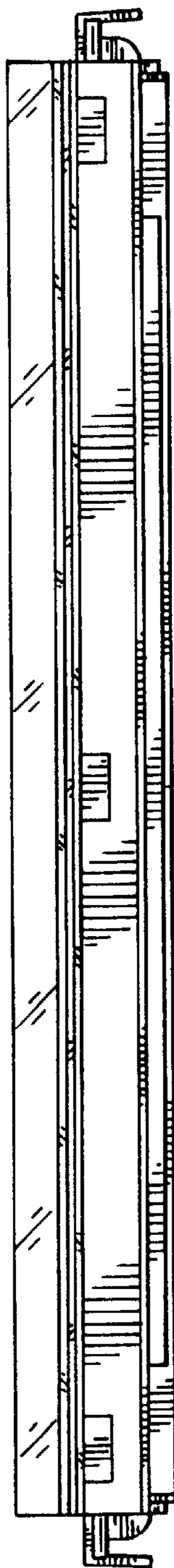


FIG. 5



FIG. 6

FIG. 7

