



US00D395368S

# United States Patent [19]

Adenau et al.

[11] Patent Number: **Des. 395,368**

[45] Date of Patent: **\*\*Jun. 23, 1998**

[54] **KIOSK**

3,079,725 3/1963 La Fleur ..... 248/441.1

[75] Inventors: **Marvin Adenau**, Wadsworth, Ill.;  
**Larry Hunn**, Dunwoody, Ga.; **William Brice, Jr.**, Palatine, Ill.

### FOREIGN PATENT DOCUMENTS

561564 5/1944 United Kingdom ..... 211/187

[73] Assignee: **Schutz International, Inc.**, Morton Grove, Ill.

*Primary Examiner*—James Gandy  
*Assistant Examiner*—Linda Brooks  
*Attorney, Agent, or Firm*—Wood, Phillips, VanSanten, Clark & Mortimer

[\*\*] Term: **14 Years**

### [57] CLAIM

[21] Appl. No.: **61,477**

The ornamental design for a kiosk, as shown and described.

[22] Filed: **Oct. 24, 1996**

### DESCRIPTION

[51] **LOC (6) Cl.** ..... **20-02**

[52] **U.S. Cl.** ..... **D6/478; D6/419**

[58] **Field of Search** ..... D6/457, 421, 474,  
D6/480, 477, 419, 479, 486, 487, 485,  
490; 211/1, 13, 133, 70.1, 187; 108/150,  
59, 60; D20/10, 19, 41; D28/93; 248/441.1,  
121, 152, 174

FIG. 1 is a perspective view of a KIOSK in accordance with the present invention;

FIG. 2 is a front elevation view of the KIOSK shown in FIG. 1; and,

FIG. 3 is a left side elevation view of the KIOSK shown in FIG. 1.

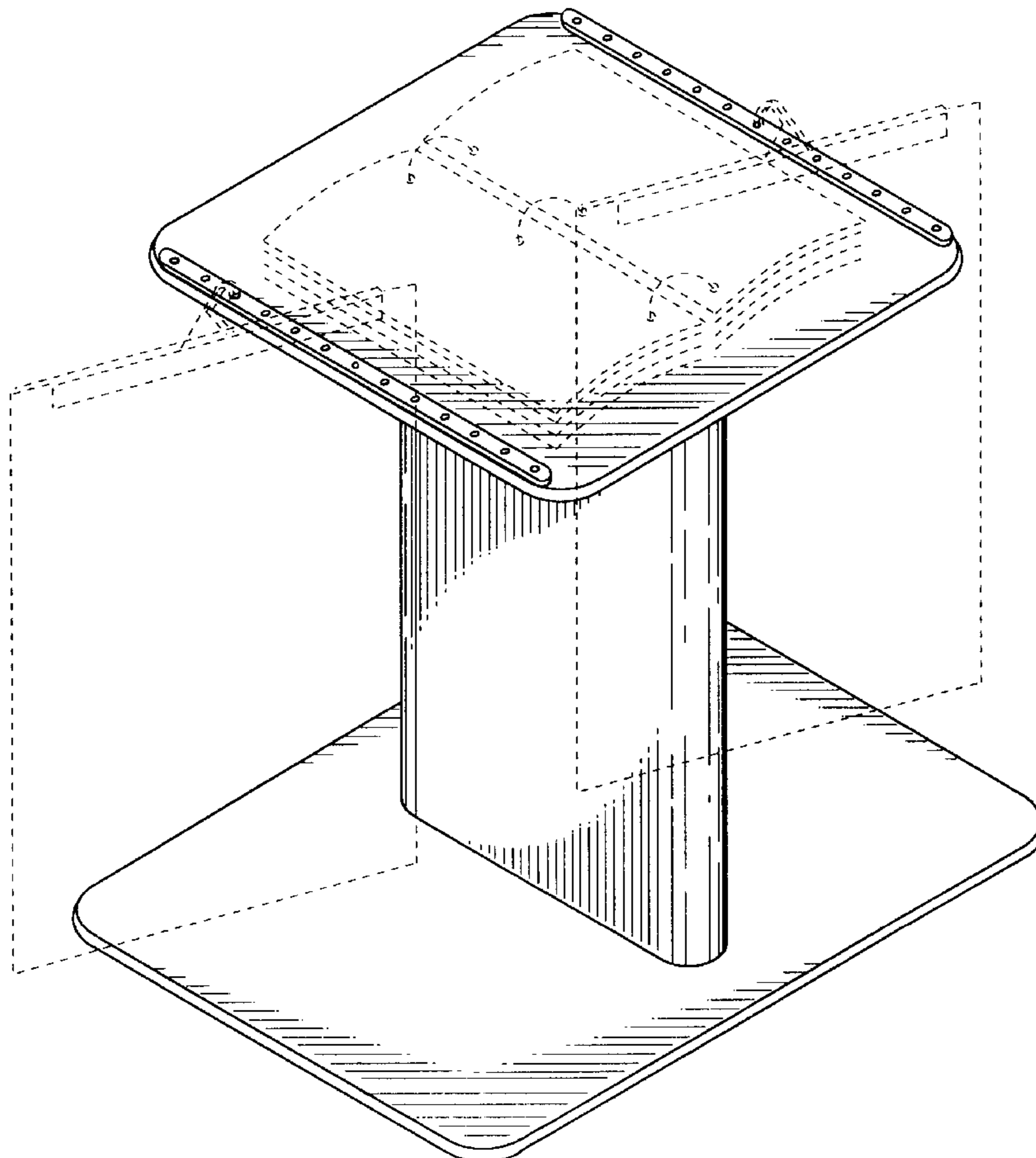
The bottom of the KIOSK forms no part of the claimed design. The back elevation view of the KIOSK is merely a mirror image of FIG. 2. The right side elevation view of the KIOSK is merely a mirror image of FIG. 3. The broken line showing of environmental structure in FIGS. 1, 2, and 3 is for illustrative purposes only and forms no part of the claimed design.

### [56] References Cited

#### U.S. PATENT DOCUMENTS

D. 240,983 8/1976 Rowman ..... D6/486  
D. 252,899 9/1979 Campbell ..... D6/469  
D. 321,610 11/1991 Rienecker ..... D6/419  
D. 328,830 8/1992 Allen ..... D6/478

**1 Claim, 2 Drawing Sheets**



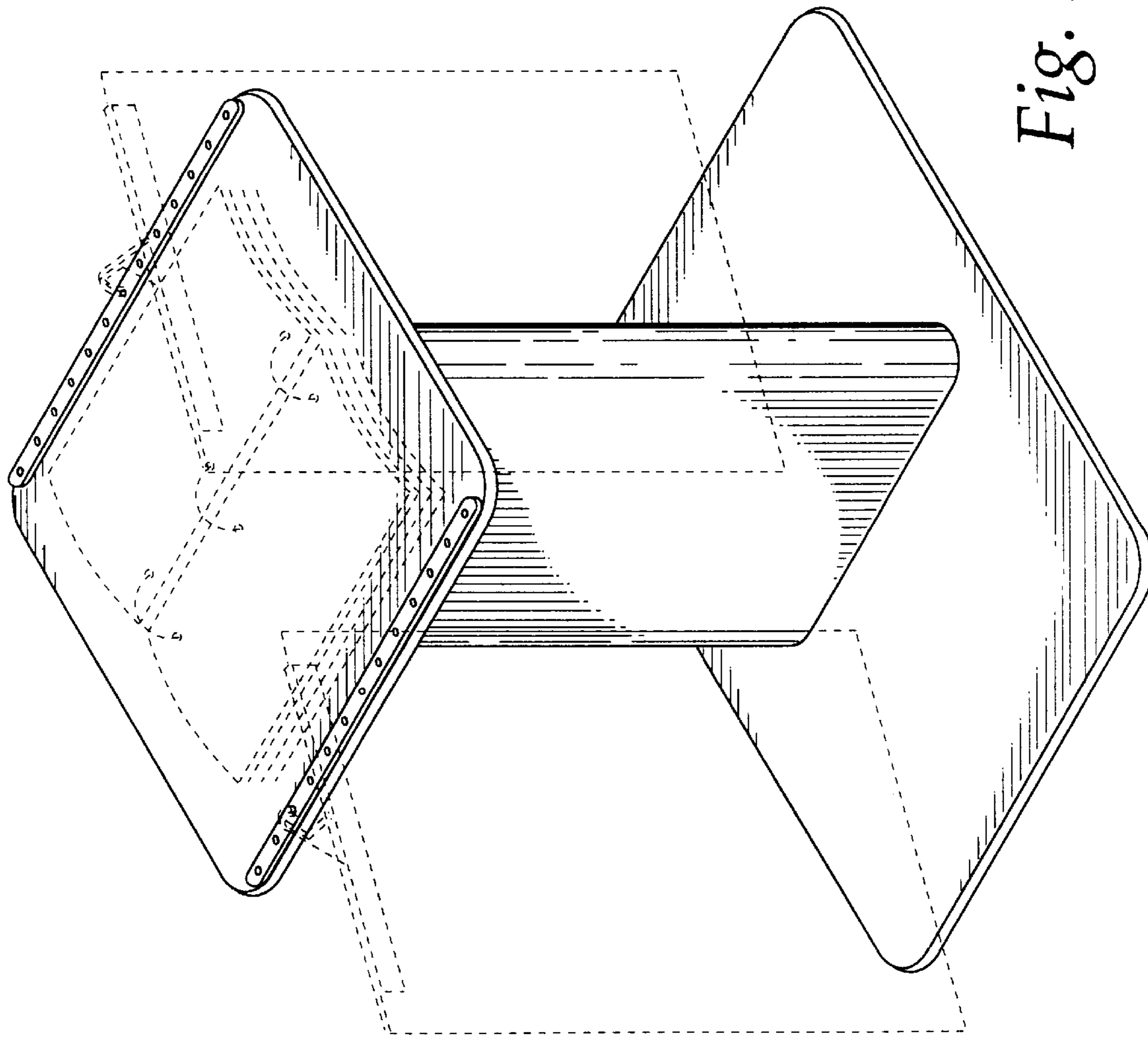


Fig. 1

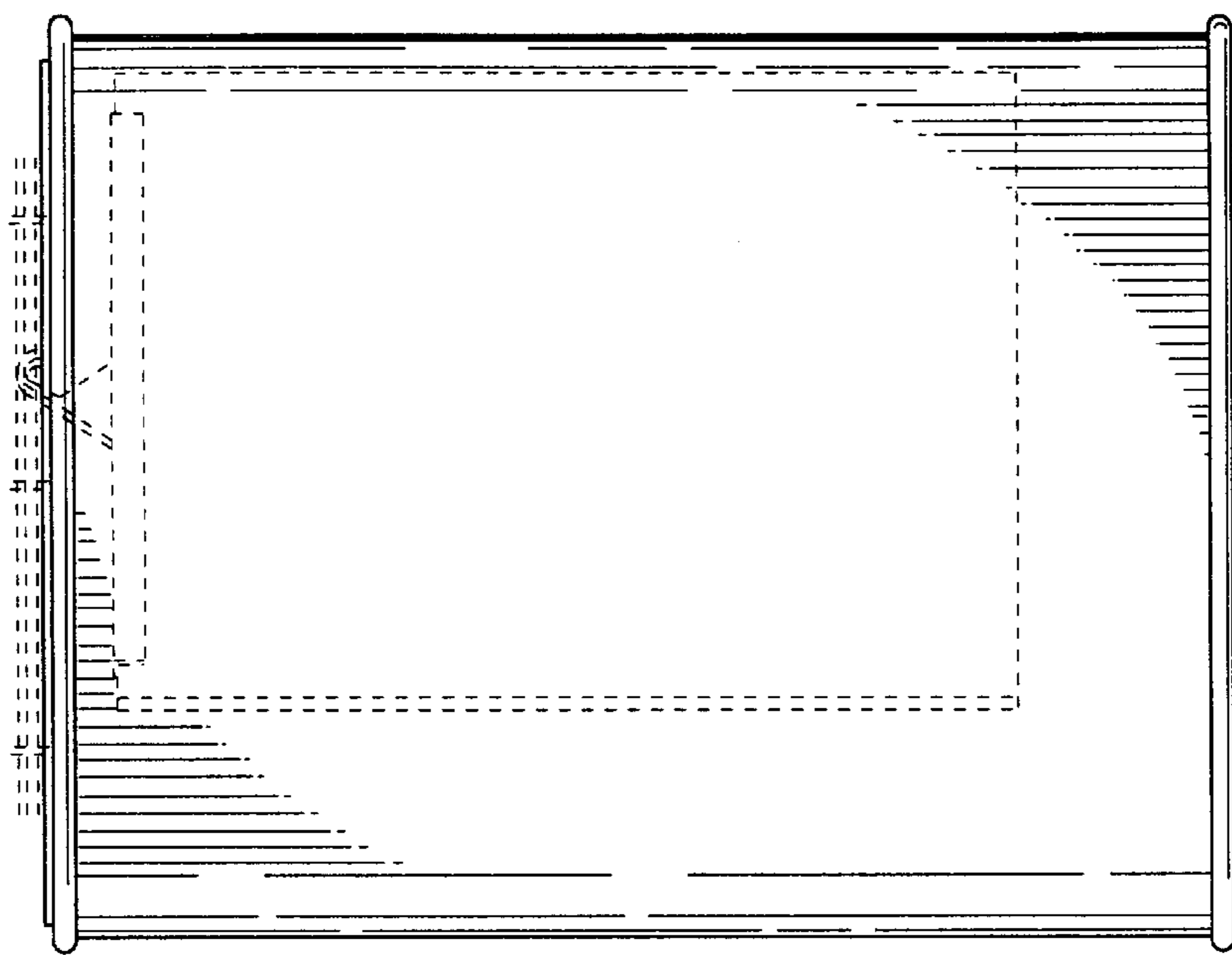


Fig. 3

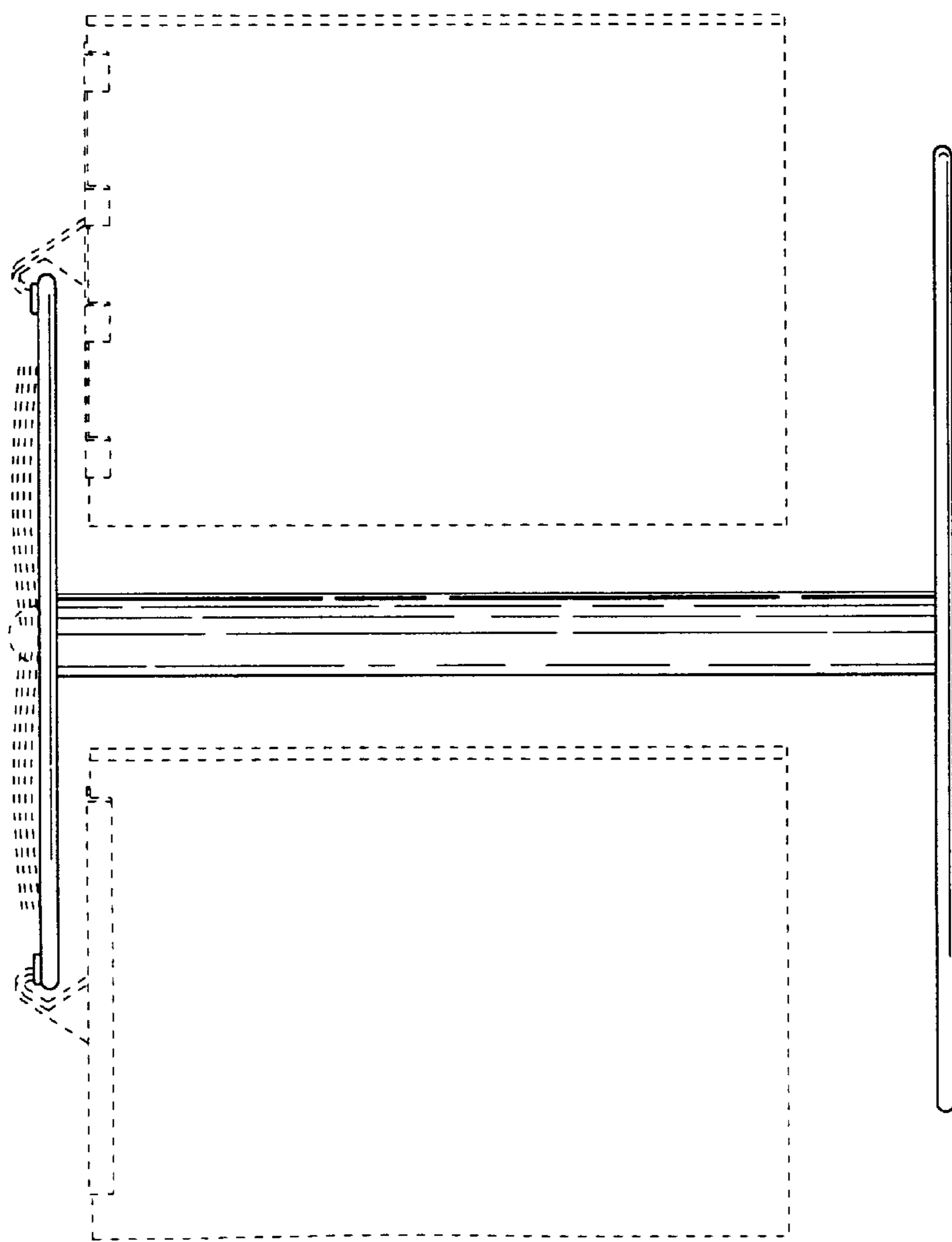


Fig. 2