



US00D395366S

United States Patent [19]

Favaretto

[11] **Patent Number: Des. 395,366**

[45] **Date of Patent: **Jun. 23, 1998**

[54] **CHAIR**

[75] Inventor: **Paolo Favaretto**, Padova, Italy

[73] Assignee: **Global Upholstery Company**,
Downsview, Canada

[**] Term: **14 Years**

[21] Appl. No.: **55,978**

[22] Filed: **Jun. 19, 1996**

[51] **LOC (6) Cl.** **06-01**

[52] **U.S. Cl.** **D6/366**

[58] **Field of Search** D6/334, 364, 365,
D6/366, 367, 379, 500, 501, 502; 297/411.2,
411.27

[56] **References Cited**

U.S. PATENT DOCUMENTS

D. 270,310 8/1983 Ochsner D6/366

D. 275,430 9/1984 Ochsner D6/366

D. 312,003 11/1990 Muller-Deisig et al. D6/366

D. 312,176 11/1990 Heidmann D6/502

D. 328,980 9/1992 Buchacz D6/366

Primary Examiner—Gary D. Watson
Attorney, Agent, or Firm—Bereskin & Parr

[57] CLAIM

The ornamental design for a chair, as shown and described.

DESCRIPTION

FIG. 1 is a perspective view of the chair;
FIG. 2 is a side elevational view of the chair of FIG. 1, the
opposite side being substantially a mirror image thereof with
the addition of the two adjacent levers which are seen in
FIGS. 1, 3 and 4;
FIG. 3 is a front elevational view of the chair of FIG. 1;
FIG. 4 is a rear elevational view of the chair of FIG. 1; and,
FIG. 5 is a top plan view of the chair of FIG. 1.

1 Claim, 2 Drawing Sheets





FIG. 1

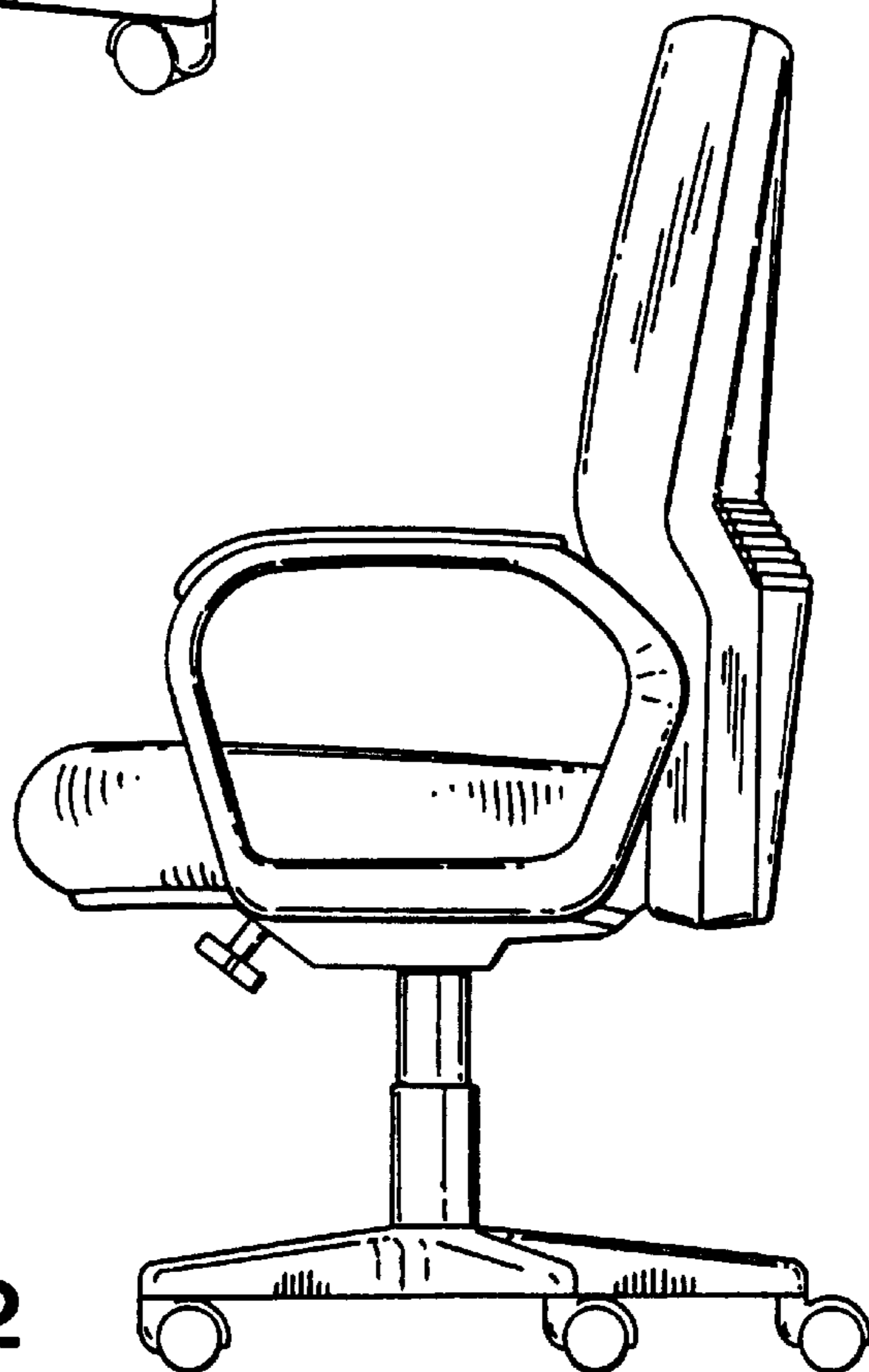


FIG. 2

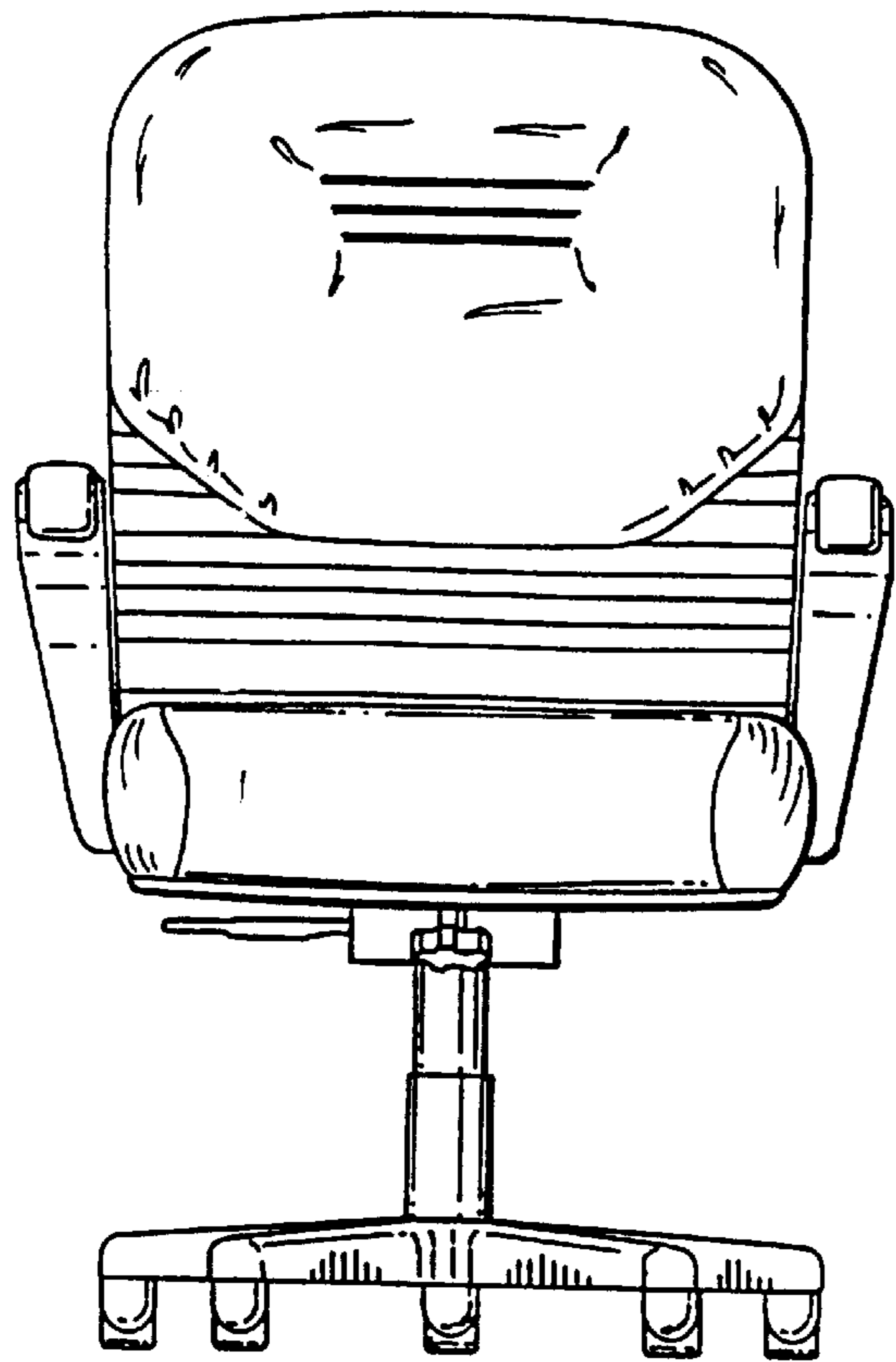


FIG. 3

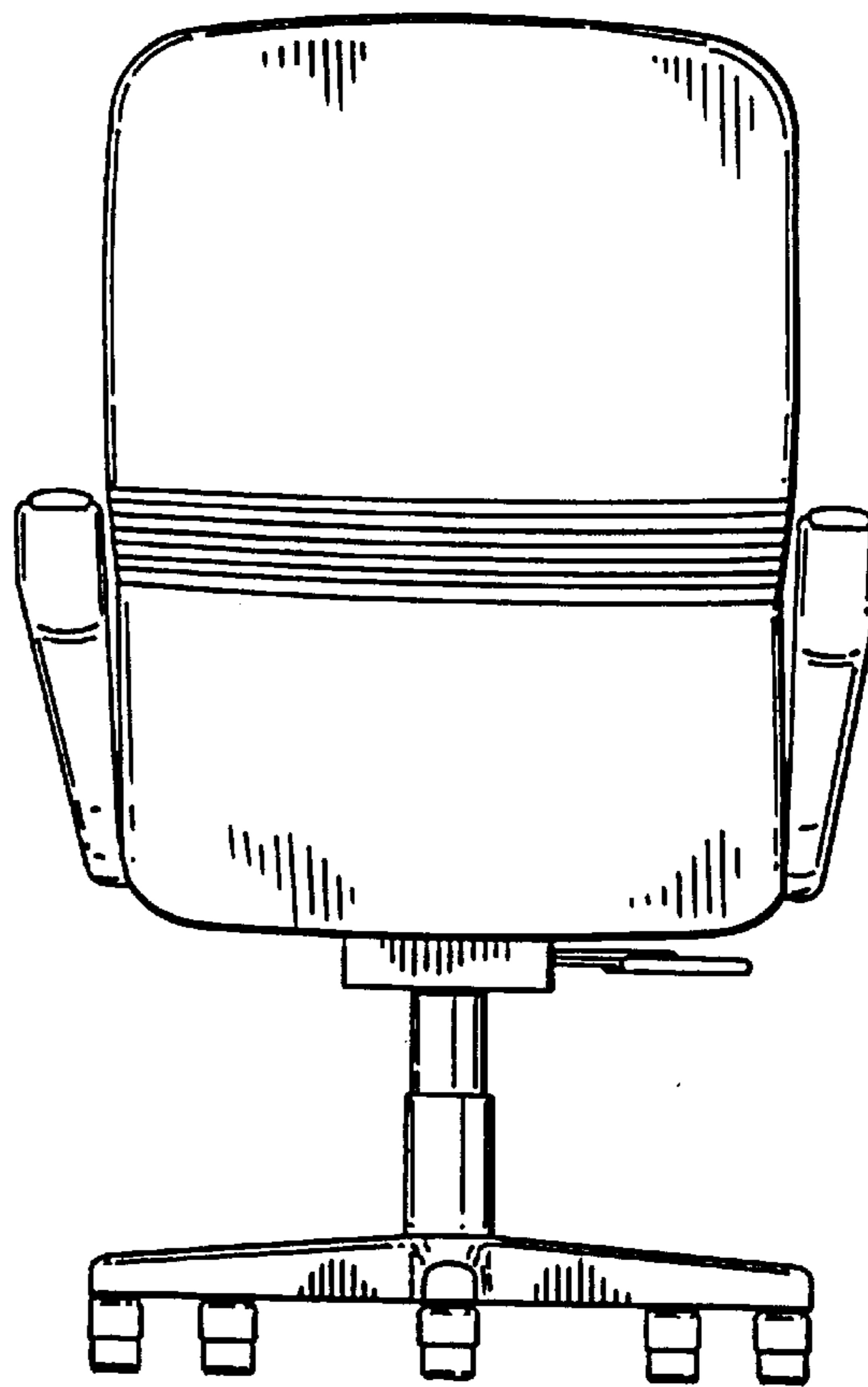


FIG. 4

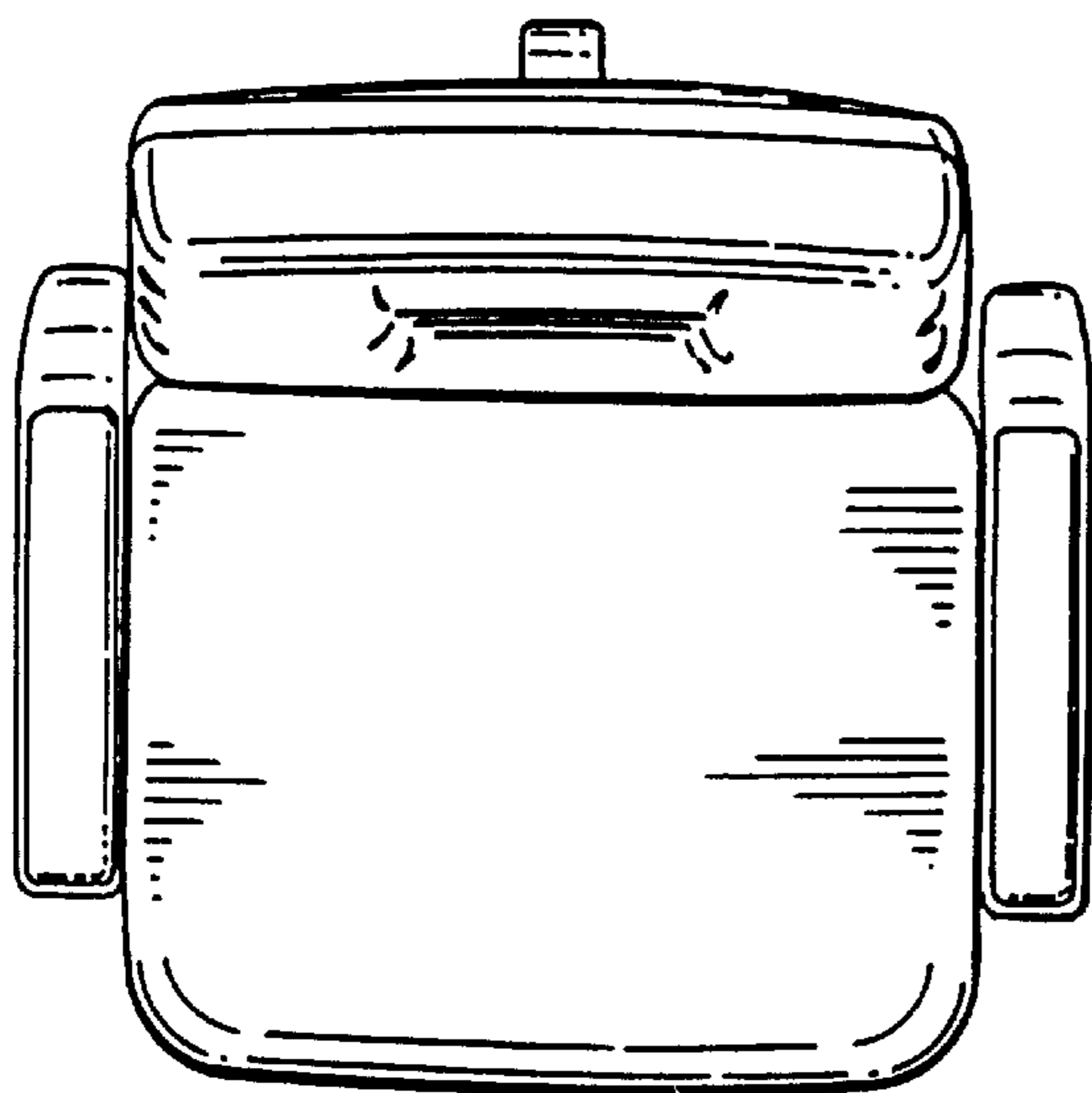


FIG. 5